

Honeywell

BLENZE PLUS

Switch to Safety in Style

Presenting

BLENZE PLUS

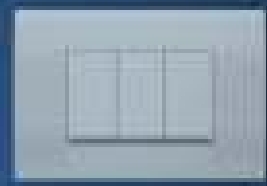
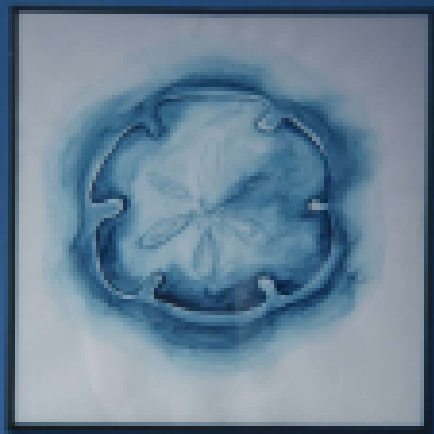
Premium Flat Anti-Bacterial Switches
By Honeywell





Interior design is an extension of our own personality. And when it comes to self-expression, we like to say it in style. But what if you are compromising on safety while looking for style? Thus, presenting Blenze Plus - aesthetic and anti-bacterial switches. Because we believe no one should have to choose between safety and style. So switch to safety in style.

G HAR MEIN **HONEYWELL**, TOH LIFE VERY WELL!





Anti-Bacterial

Improve hygiene and avoid microbial contamination with our anti-bacterial switches. Silver Ions pre-mixed in polycarbonate kills 99% bacteria and prevents bacterial growth.







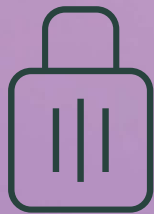
Flat Modular Switches

Designed aesthetically to position switches parallel to the surface of wall. This makes switches completely flush when switched off and gives them a flat, minimal look.









Precision-Engineered Locking

Switches, sockets and accessories have been aligned and locked in their own positions. This eliminates all possible gaps between individual function (switch, sockets and plates). This provides a seamless product finish after installation.





Silky Satin Matte Finish

Add on to the aesthetics of your interiors with our Silky Satin Matte Finish switches, they are dust repellent, smooth and easy to clean.



Metal Back Plates

Metal back plates are available in 6M and above which provides add-on strength. It prevents warpage or breaking and ensures a seamless transition from switch board to the wall.

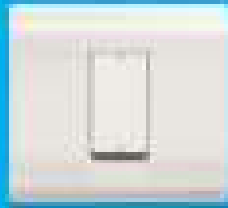




BLLENZE PLUS RANGE



10A / 10A / 10A
One Way Switch



6A / 10A / 10A
Two Way Switch



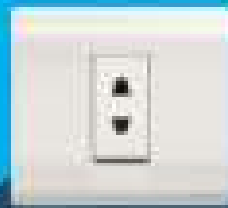
6A / 10A One Way Switch
with Indicator



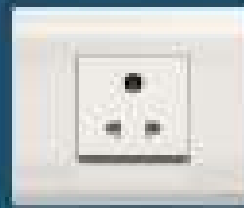
10A DP Switch
with Indicator



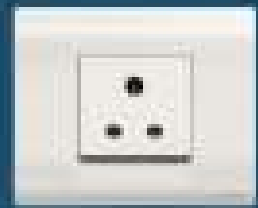
6A 2W Push Switch
with Indicator



10A 2 Pin Socket



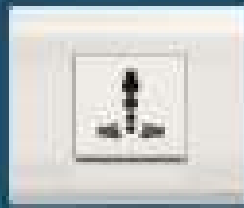
10A Universal Socket



10A Round Pin Socket
(ISI Marked)



10A/10A Socket
(ISI Marked)



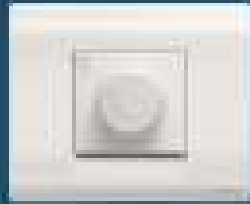
6A/10A/13A
International Socket



100W 4 Step Fan
Speed Controller (ISI)



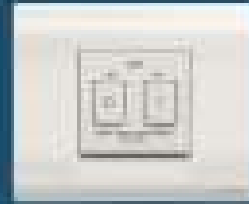
120W 5 Step Fan
Speed Controller (ISI)



400W Dimmer



25A CP Mini Trip MCB



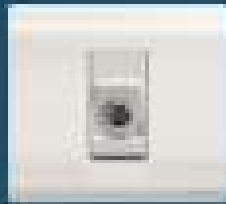
25A Motor Starter



RJ45 CAT 6



RJ11 2-Line with Shutter



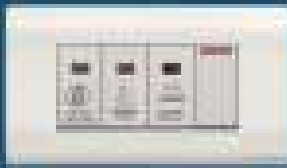
T1 Cassette Socket Outlet



Shaver Socket



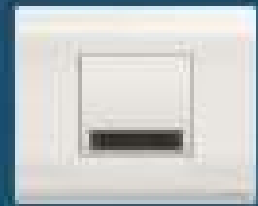
DND, MMR, NML, 1P/2P/3P/4P/5P/6P/7P/8P/9P/10P/11P/12P/13P/14P/15P/16P/17P/18P/19P/20P



DND, MMR, NML, External 1A/1L with BGR Push



Energy Key Tag with Time Delay



LED Foot Lamp, 2M

Blenze Plus - Wiring Devices

SWITCHES



DW501SCW

DW502SCW

DW503SCW

DW506SCW

DW224SCW

SOCKETS



DW420SCW

DW421SCW

DW424SCW

DW426SCW

DW427SCW

FAN SPEED CONTROLLER AND DIMMER

MINI TRIP MCB AND MOTOR STARTER



DW471SCW




DW472SCW

DW480SCW


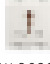
DW227SCW

DW217SCW


SWITCHES - SYNTHETIC CHALK WHITE

| | HSN Code | ItemCode | Description | Module | Carton Qty.* | MRP** | GST |
|---|----------|----------|------------------------------------|--------|--------------|-------|-----|
|  DW501SCW | 85365020 | DW501SCW | 6AX One Way Switch | 1M | 20 / 360 | 118 | 18% |
| | 85365020 | DW502SCW | 6AX Two Way Switch | 1M | 20 / 360 | 178 | 18% |
| | 85365020 | DW503SCW | 6AX One Way with Indicator | 1M | 20 / 360 | 174 | 18% |
| | 85365020 | DW401SCW | 10AX One Way Switch | 1M | 20 / 360 | 150 | 18% |
|  DW503SCW | 85365020 | DW402SCW | 10AX Two Way Switch | 1M | 20 / 360 | 184 | 18% |
| | 85365020 | DW411SCW | 16AX One Way Switch | 1M | 20 / 360 | 202 | 18% |
| | 85365020 | DW412SCW | 16AX Two Way Switch | 1M | 20 / 360 | 334 | 18% |
| | 85365020 | DW413SCW | 16AX One Way with Indicator | 1M | 20 / 360 | 254 | 18% |
|  DW224SCW | 85365020 | DW224SCW | 32A DP Switch with Indicator | 2M | 10 / 180 | 644 | 18% |
| | 85365020 | DW505SCW | 6A Bell Push Switch | 1M | 20 / 360 | 186 | 18% |
| | 85365020 | DW504SCW | 6A Bell Push Switch | 2M | 10 / 180 | 314 | 18% |
| | 85365020 | DW506SCW | 6A Bell Push Switch With Indicator | 1M | 20 / 360 | 252 | 18% |


SOCKETS - SYNTHETIC CHALK WHITE

| | HSN Code | ItemCode | Description | Module | Carton Qty.* | MRP** | GST |
|---|----------|----------|-----------------------------------|--------|--------------|-------|-----|
|  DW420SCW | 85366910 | DW420SCW | 10A Universal Socket | 2M | 15 / 270 | 212 | 18% |
| | 85366910 | DW421SCW | 10A Round Pin Socket (ISI Marked) | 2M | 15 / 270 | 212 | 18% |
| | 85366910 | DW424SCW | 10/16A Socket | 2M | 15 / 270 | 314 | 18% |
| | 85366910 | DW426SCW | International Socket For 6/10/13A | 2M | 10 / 180 | 266 | 18% |
|  DW426SCW | 85366910 | DW427SCW | 16A 2 Pin Socket | 1M | 15 / 270 | 238 | 18% |
| | 85366910 | DW428SCW | 25A Socket | 2M | 15 / 270 | 368 | 18% |

FAN REGULATOR & DIMMER - SYNTHETIC CHALK WHITE

| | HSN Code | ItemCode | Description | Module | Carton Qty.* | MRP** | GST |
|---|----------|----------|---------------------------------------|--------|--------------|-------|-----|
|  DW472SCW | 84149030 | DW471SCW | 100W Fan Step Controller | 1M | 15 / 270 | 628 | 18% |
| | 84149030 | DW472SCW | 120W Fan Step Controller (ISI Marked) | 2M | 8 / 144 | 714 | 18% |
| | 85333990 | DW480SCW | 400W Dimmer | 2M | 8 / 144 | 770 | 18% |

MINI TRIP MCB & MOTOR STARTER - SYNTHETIC CHALK WHITE

| | HSN Code | ItemCode | Description | Module | Carton Qty.* | MRP** | GST |
|---|----------|----------|----------------------|--------|--------------|-------|-----|
|  DW227SCW | 85365020 | DW227SCW | 25A SP Mini Trip MCB | 1M | 10 / 180 | 382 | 18% |
| | 85365020 | DW217SCW | 25A Motor Starter | 2M | 12 / 216 | 572 | 18% |

Blenze Plus - Wiring Devices

COMMUNICATION ACCESSORIES

SUPPORT ACCESSORIES



DW492WHI



DW493WHI



DW451SCW

HOSPITALITY ACCESSORIES



DW901SCW



DW902SCW



DW903SCW



DW414SCW



DW415SCW



DW416SCW



DW527SCW

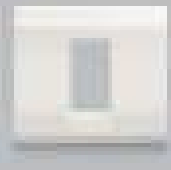


DW529SCW

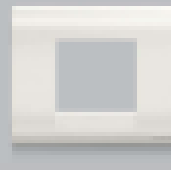


DW530SCW

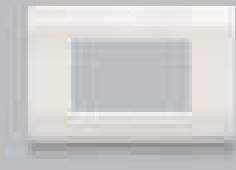
FRONT PLATES



DW101SCW



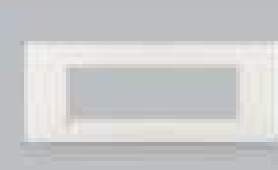
DW102SCW



DW103SCW




DW104SCW



DW106SCW

COMMUNICATION ACCESSORIES - SYNTHETIC CHALK WHITE

| | HSN Code | ItemCode | Description | Module | Carton Qty.* | MRP** | GST |
|---|----------|----------|--------------------------|--------|--------------|-------|-----|
|  DW493SCW | 85366910 | DW493SCW | RJ45 CAT 6A | 1M | 20 / 360 | 550 | 18% |
| | 85366910 | DW492SCW | RJ11 2 Line with Shutter | 1M | 30 / 540 | 240 | 18% |
| | 85366910 | DW494SCW | RJ11 Twin Telephone Jack | 1M | 10 / 60 | 204 | 18% |



SUPPORT ACCESSORIES - SYNTHETIC CHALK WHITE

| | HSN Code | ItemCode | Description | Module | Carton Qty.* | MRP** | GST |
|--|----------|----------|-------------------------|--------|--------------|-------|-----|
| | 85389000 | DW441SCW | Blank Plate | 1M | 20 / 360 | 40 | 18% |
| | 85366910 | DW451SCW | TV Coaxial Socket | 1M | 30 / 540 | 188 | 18% |
| | 85365020 | OW586SCW | 2.1A 1 Port USB Charger | 1M | 15 / 270 | 1550 | 18% |
| | 85365020 | OW587SCW | 2.4A 2 Port USB Charger | 2M | 10 / 180 | 2390 | 18% |




New

New

HOSPITALITY ACCESSORIES - SYNTHETIC CHALK WHITE



| | HSN Code | ItemCode | Description | Module | Carton Qty.* | MRP** | GST |
|---|----------|----------|--------------------------------|--------|--------------|-------|-----|
|  DW415SCW | 85365020 | DW901SCW | DND Indicator | 1M | 20 / 360 | 258 | 18% |
| | 85365020 | DW414SCW | Two Way Switch with DND Mark | 1M | 20 / 360 | 310 | 18% |
| | 85365020 | DW902SCW | MMR Indicator | 1M | 20 / 360 | 306 | 18% |
|  DW903SCW | 85365020 | DW415SCW | One Way Switch with MMR Mark | 1M | 20 / 360 | 286 | 18% |
| | 85365020 | DW903SCW | MML Indicator | 1M | 20 / 360 | 300 | 18% |
| | 85365020 | DW416SCW | One Way Switch with MML Mark | 1M | 20 / 360 | 286 | 18% |
| | 85365020 | DW527SCW | Energy Key Tag with Time Delay | 3M | 1 / 8 | 3416 | 18% |
| | 85366910 | DW529SCW | Shaver Socket | 4M | 2 / 36 | 3800 | 18% |
| | 94054090 | DW530SCW | LED Foot Lamp | 2M | 10 / 180 | 642 | 12% |

FRONT PLATES - SYNTHETIC CHALK WHITE

| | HSN Code | ItemCode | Description | Module | Carton Qty.* | MRP** | GST |
|---|----------|----------|---------------------------------|--------|--------------|-------|-----|
|  DW101SCW | 85381090 | DW101SCW | 1 Module Front Plate | 1M | 8 / 144 | 118 | 18% |
| | 85381090 | DW102SCW | 2 Module Front Plate | 2M | 8 / 144 | 118 | 18% |
|  DW103SCW | 85381090 | DW103SCW | 3 Module Front Plate | 3M | 8 / 144 | 136 | 18% |
| | 85381090 | DW104SCW | 4 Module Front Plate | 4M | 8 / 144 | 156 | 18% |
| | 85381090 | DW106SCW | 6 Module Front Plate | 6M | 10 / 100 | 256 | 18% |
|  DW104SCW | 85381090 | DW18HSCW | 8 Module Horizontal Front Plate | 8M (H) | 5 / 90 | 284 | 18% |
| | 85381090 | DW18VSCW | 8 Module Square Front Plate | 8M (S) | 5 / 80 | 342 | 18% |
| | 85381090 | DW109SCW | 9 Module Front Plate | 9M | 5 / 90 | 368 | 18% |
| | 85381090 | DW112SCW | 12 Module Front Plate | 12M | 5 / 50 | 418 | 18% |
| | 85381090 | DW118SCW | 18 Module Front Plate | 18M | 4 / 28 | 598 | 18% |

Blenze Plus - Wiring Devices

SWITCHES - ELEPHANT BLACK

| | HSN Code | ItemCode | Description | Module | Carton Qty.* | MRP** | GST |
|--|----------|-----------------|------------------------------------|--------|--------------|-------|-----|
|  DW501BLK  DW224BLK | 85365020 | DW501BLK | 6AX One Way Switch | 1M | 20 / 360 | 148 | 18% |
| | 85365020 | DW502BLK | 6AX Two Way Switch | 1M | 20 / 360 | 218 | 18% |
| | 85365020 | DW503BLK | 6AX One Way with Indicator | 1M | 20 / 360 | 218 | 18% |
| | 85365020 | DW411BLK | 16AX One Way Switch | 1M | 20 / 360 | 246 | 18% |
| | 85365020 | DW412BLK | 16AX Two Way Switch | 1M | 20 / 360 | 376 | 18% |
| | 85365020 | DW413BLK | 16AX One Way with Indicator | 1M | 20 / 360 | 290 | 18% |
| | 85365020 | DW224BLK | 32A DP Switch with Indicator | 2M | 10 / 180 | 690 | 18% |
| | 85365020 | DW504NBLK | 6A Bell Push Switch | 2M | 10 / 180 | 416 | 18% |
| | 85365020 | DW505NBLK | 6A Bell Push Switch With Indicator | 1M | 20 / 360 | 326 | 18% |

SOCKETS - ELEPHANT BLACK

| | HSN Code | ItemCode | Description | Module | Carton Qty.* | MRP** | GST |
|---|----------|-----------------|-----------------------------------|--------|--------------|-------|-----|
|  DW426BLK | 85366910 | DW420BLK | 10A Universal Socket | 2M | 15 / 270 | 260 | 18% |
| | 85366910 | DW424BLK | 10/16A Socket | 2M | 15 / 270 | 374 | 18% |
| | 85366910 | DW426BLK | International Socket For 6/10/13A | 2M | 10 / 180 | 318 | 18% |

FAN REGULATOR - ELEPHANT BLACK

| | HSN Code | ItemCode | Description | Module | Carton Qty.* | MRP** | GST |
|--|----------|----------|--------------------------|--------|--------------|-------|-----|
| | 84149030 | DW472BLK | 120W Fan Step Controller | 2M | 8 / 144 | 902 | 18% |


MINI TRIP MCB - ELEPHANT BLACK

| | HSN Code | ItemCode | Description | Module | Carton Qty.* | MRP** | GST |
|--|----------|----------|----------------------|--------|--------------|-------|-----|
| | 85365020 | DW227BLK | 25A SP Mini Trip MCB | 1M | 10 / 180 | 528 | 18% |

COMMUNICATION ACCESSORIES - ELEPHANT BLACK

| | HSN Code | ItemCode | Description | Module | Carton Qty.* | MRP** | GST |
|--|----------|----------|--------------------------|--------|--------------|-------|-----|
| | 85366910 | DW493BLK | RJ45 CAT 6A | 1M | 20 / 360 | 704 | 18% |
| | 85366910 | DW492BLK | RJ11 2 Line with Shutter | 1M | 30 / 540 | 276 | 18% |


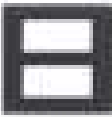
SUPPORT ACCESSORIES - ELEPHANT BLACK

| | HSN Code | ItemCode | Description | Module | Carton Qty.* | MRP** | GST |
|---|----------|----------|-------------------|--------|--------------|-------|-----|
|  DW441BLK | 85389000 | DW441BLK | Blank Plate | 1M | 20 / 360 | 52 | 18% |
| | 85366910 | DW451BLK | TV Coaxial Socket | 1M | 30 / 540 | 218 | 18% |

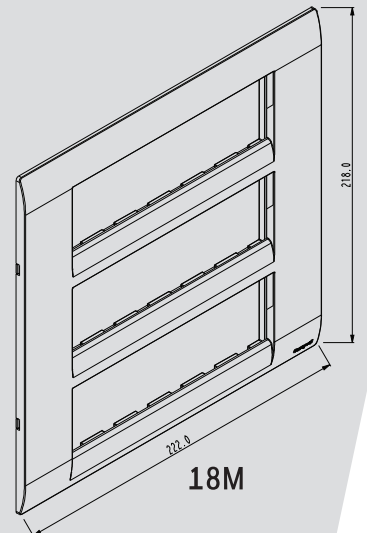
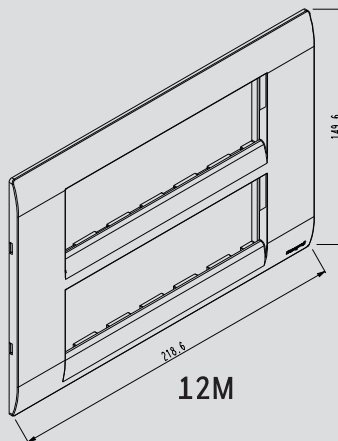
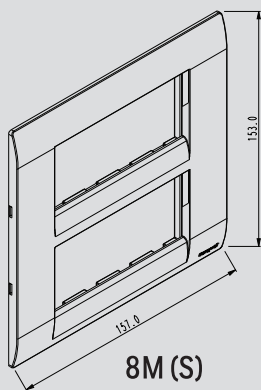
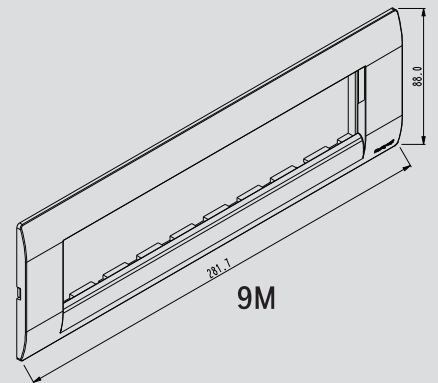
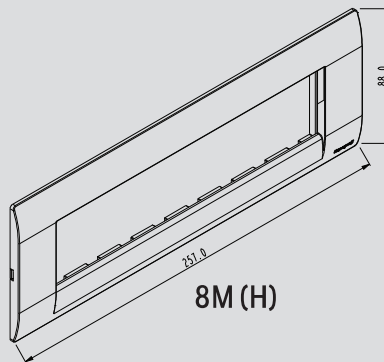
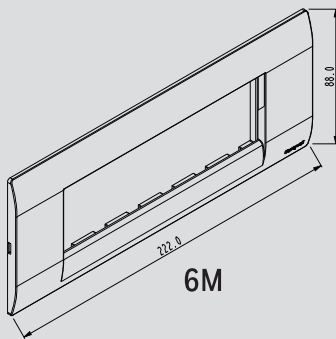
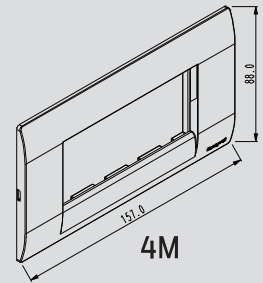
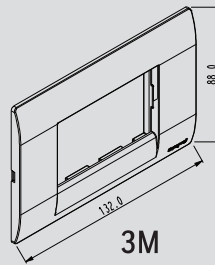
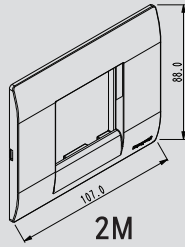
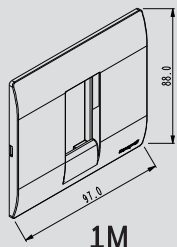
HOSPITALITY ACCESSORIES - ELEPHANT BLACK

| | HSN Code | ItemCode | Description | Module | Carton Qty.* | MRP** | GST |
|--|----------|----------|--------------------------------|--------|--------------|-------|-----|
| | 85365020 | DW901BLK | DND Indicator | 1M | 20 / 360 | 306 | 18% |
| | 85365020 | DW414BLK | Two Way Switch with DND Mark | 1M | 20 / 360 | 354 | 18% |
| | 85365020 | DW902BLK | MMR Indicator | 1M | 20 / 360 | 278 | 18% |
| | 85365020 | DW415BLK | One Way Switch with MMR Mark | 1M | 20 / 360 | 344 | 18% |
| | 85365020 | DW903BLK | MML Indicator | 1M | 20 / 360 | 252 | 18% |
| | 85365020 | DW416BLK | One Way Switch with MML Mark | 1M | 20 / 360 | 344 | 18% |
| | 85365020 | DW527BLK | Energy Key Tag with Time Delay | 3M | 1 / 8 | 1772 | 18% |
| | 85366910 | DW529BLK | Shaver Socket | 4M | 2 / 36 | 4394 | 18% |

FRONT PLATES FINISH - ELEPHANT BLACK

| | HSN Code | ItemCode | Description | Module | Carton Qty.* | MRP** | GST |
|---|----------|-----------|---------------------------------|--------|--------------|-------|-----|
|  DW104BLK | 85381090 | DW101BLK | 1 Module Front Plate | 1M | 8 / 144 | 184 | 18% |
| | 85381090 | DW102BLK | 2 Module Front Plate | 2M | 8 / 144 | 184 | 18% |
| | 85381090 | DW103BLK | 3 Module Front Plate | 3M | 8 / 144 | 212 | 18% |
| | 85381090 | DW104BLK | 4 Module Front Plate | 4M | 8 / 144 | 242 | 18% |
|  DW108BLK | 85381090 | DW106BLK | 6 Module Front Plate | 6M | 10 / 100 | 326 | 18% |
| | 85381090 | DW108BLK | 8 Module Horizontal Front Plate | 8M (H) | 5 / 90 | 418 | 18% |
| | 85381090 | DW108VBLK | 8 Module Square Front Plate | 8M (S) | 5 / 80 | 460 | 18% |
| | 85381090 | DW109BLK | 9 Module Front Plate | 9M | 5 / 90 | 588 | 18% |
| | 85381090 | DW112BLK | 12 Module Front Plate | 12M | 5 / 50 | 620 | 18% |
| | 85381090 | DW118BLK | 18 Module Front Plate | 18M | 4 / 28 | 834 | 18% |

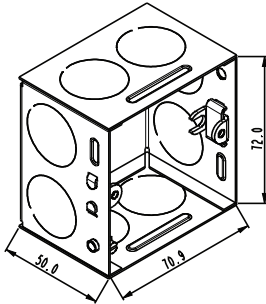
Dimension - Front Plates



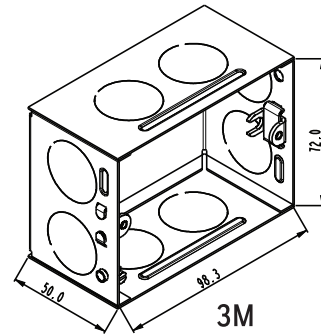
All dimensions are in mm.

Dimension - Mounting Boxes

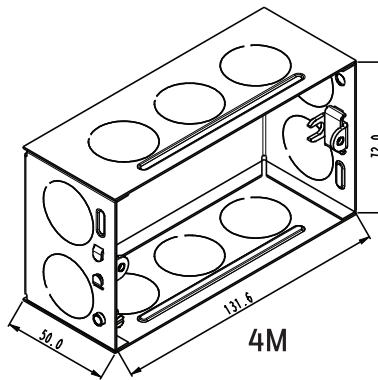
METAL BOXES



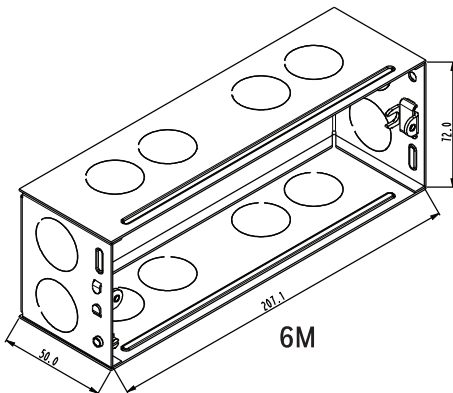
1M & 2M



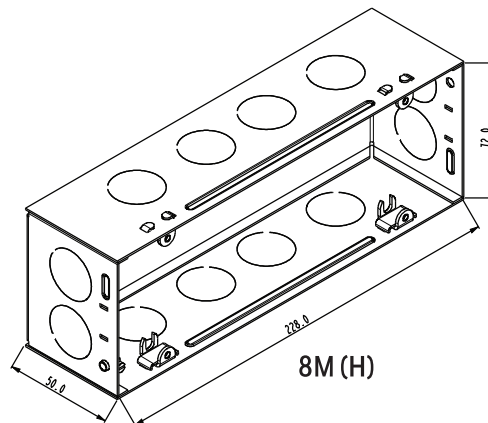
3M



4M



6M

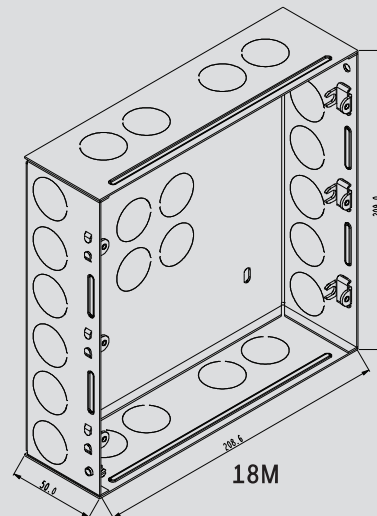
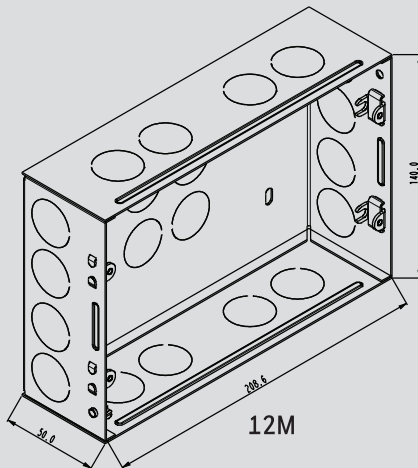
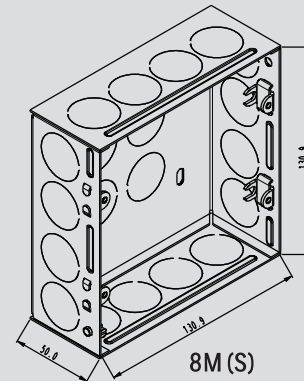
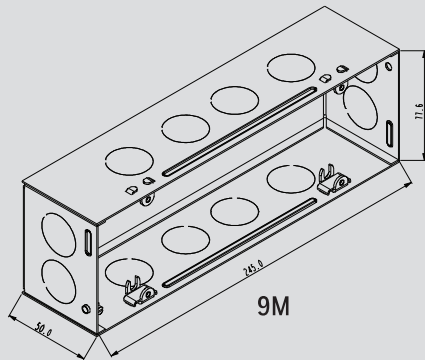


8M (H)

All dimensions are in mm.

Dimension - Mounting Boxes

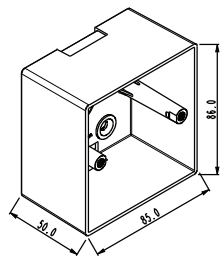
METAL BOXES



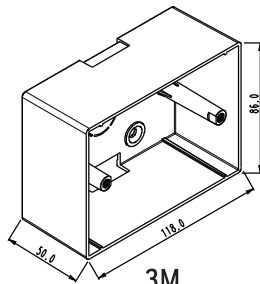
All dimensions are in mm.

Dimension - Mounting Boxes

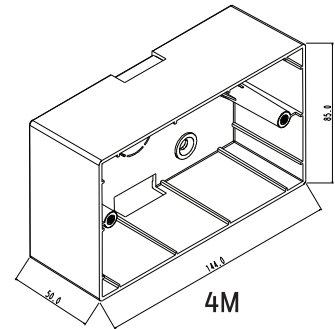
SURFACE BOXES



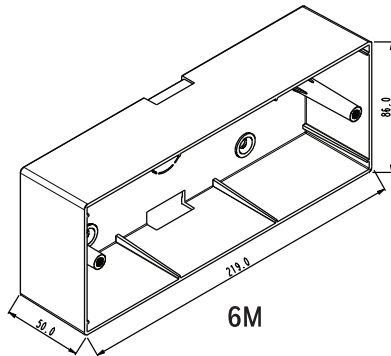
1M & 2M



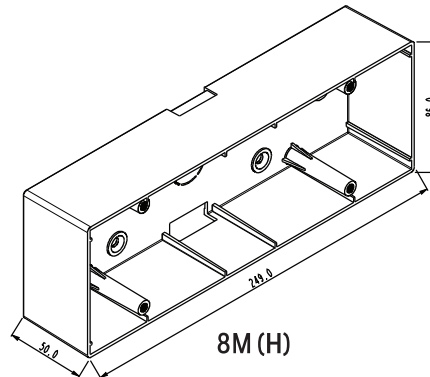
3M



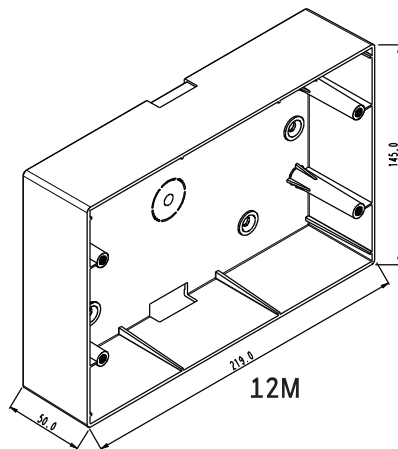
4M



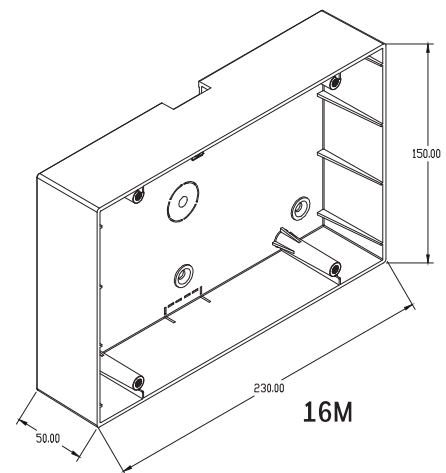
6M



8M (H)



12M



16M

All dimensions are in mm.

GHAR MEIN **HONEYWELL**, TOH LIFE VERY WELL!

GURUGRAM

Unitech Trade Center,
5th Floor, Sector 43, Block C,
Sushant Lok, Phase 1,
Gurgaon - 122 022
Fax: +91-124-6715014

BARODA

Ground Floor, 1965,
Alembic City Avenue, Alembic Campus,
Alembic Road, Vadodara - 390003

PUNE

Plot No. 56/57,
Hadapsar Industrial Estate,
Pune - 411 013
Fax: +91-20-66039800

KOLKATA

Srijan Techpark,
8th Floor, DN-52,
Salt Lake, Sector-V,
Kolkata - 700 091
Fax: +91-33-66283701

BENGALURU

Honeywell Camp II,
Bldgs 9A & 9B, Plot C2, RMZ Ecoworld,
Varturhobli, Sarjapur Marathahalli, Outer
Ring Road, Bengaluru - 560103

CHENNAI

5th, 6th & 7th Floor,
KRM Plaza, North Tower,
#2 Harrington Road,
Chetpet, Chennai - 600031

HYDERABAD

8-2-418, Krishnama House,
3rd Floor, Road No. 7,
Banjara Hills,
Hyderabad - 500 034
Fax: +91-40-66030971

FOR FURTHER DETAILS, PLEASE REACH US AT :

Toll Free Number : 1800-103-3848
Monday to Sunday : 10AM - 7PM
Whatsapp : +91 81306-91299
email : eesteamindia@honeywell.com
website : honeywellsmarthomes.com

© 2020 Honeywell International Inc.

**THE
FUTURE
IS
WHAT
WE
MAKE IT**

Honeywell