

# Distribution Boards & Consumer Units

Enclosures for system **pro M compact**<sup>®</sup>

1SKC802027C0201



**ABB**



# Distribution Boards & Consumer Units

## Contents

General .....	2/4
<b>Distribution Boards</b>	
Mini Center compact .....	5/7
Mounting kits for compact accessories .....	8
<b>Consumer Units</b>	
Styler.....	9
Dimensional details .....	10

# Distribution Boards

## General



Our mission is to meet customer's expectations by providing satisfaction through cost, quality, service, delivery and continuous improvement.

ABB Mini Center Compact distribution boards are the basis for development and growth in meeting all the demands for a successful future in residential, commercial, and infrastructure segments.

The wide range of distribution boards enables each customer to select an individual and economical configuration according to his requirements and satisfaction.

ABB Mini Center Compact distribution boards have been designed using the latest available technology and comply with the following standards: IEC 439-3 and BS EN 60439-3

### Features

#### Reliable and safe

Mini Center Compact is a reliable range of distribution boards allowing maximum flexibility, offering wide choice of incomers: Switch Disconnector, MCCB, MCB, RCCB, RCD or direct cable connection.

The busbar design eliminates risk of the hot spots. Busbar and terminals are shrouded for additional safety protection.

The pan assembly is designed to allow dismounting and mounting of MCB's without obstructing the other MCB's.

The front cover mounting screws are located behind the door for added personal security.

It has the advantage of either factory fitted incoming devices or the choice of a wide range of incoming kits that can be easily fitted by the installer himself.

#### Easy to select

Clear detailed description of each size and easy to select with the ordering codes.

#### Easy to install

Box with four studs and adjustable nuts for easy fit / easy removal of the pan assembly.

#### Easy to use

Generous wiring space. Easy fit of incomer devices, aluminum profile with plastic clip for self aligning feature of outgoing MCBs. Easy to remove or change gland plates and fix top / bottom extension boxes.



Type Test Certification

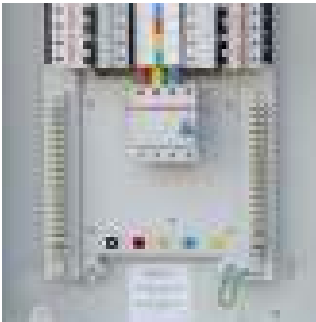
### Mini Center Compact

- Sheet steel enclosures Type A and Type B
- Flush and surface mounting
- Indoor use
- Top and bottom feed
- Various copper connection kits for all incoming options
- Aluminum support rail for easy placing of outgoing MCB
- Extension boxes: 200 and 400 mm high
- Distribution boards, together with modular ABB system pro M Compact protection devices and Modular Din Rail Components, can be used for many applications in electrical building installations.
- Solutions with tailor made distribution boards to meet customer requirements other than standards ones.
- More than 200 combinations.

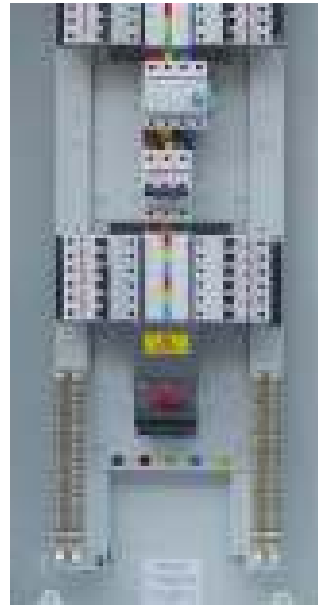


# Distribution boards

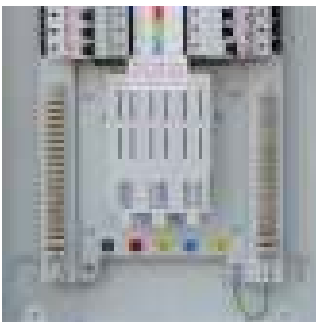
## Main incoming options



Main RCCB



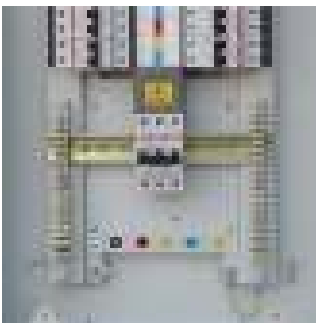
Main Isolator,  
MCB + RCCB



Direct Connection



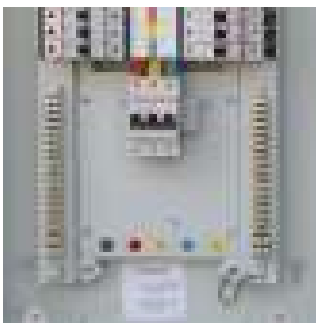
Main MCCB up to 160A  
T1, E, B, C & N



Combination Busbar  
+ DIN Rail



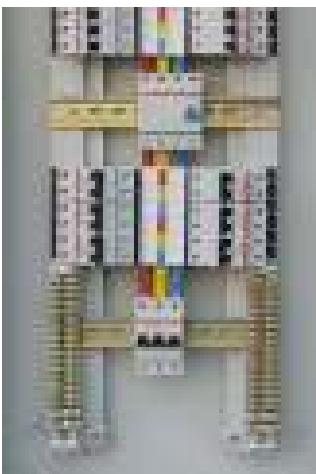
Main MCCB up to 250A  
T3N



Main MCB



Multi Row



Combination  
Split type busbar + DIN Rail

---

# Consumer Units

## General

---

Styler Consumer Units, a design perfectly suited to installation in domestic and commercial applications, easy to install and high reliability.



### Features

Available in 7, 10, 15 and 20 modules, enabling the installer to design a consumer unit to individual specification.

Ample knock-outs on top, bottom, and rear for cables and conduits entries.

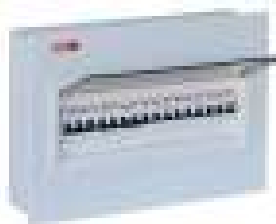
Neutral and Earth terminal bars are provided as standard.

The front steel cover is fitted with a transparent flap for visual inspection.

The front cover mounting screws are located behind the transparent flap for added personal security.

Concise circuit identification labels.

Styler Consumer units, together with modular ABB system pro M Compact protection devices and Modular Din Rail Components, can be used in domestic and commercial applications.



# Distribution Boards

## Mini Center compact

### Technical Data / Ordering details



Standard	: EC 439-3 & BS 60439-3
Busbar Rating	: 200/250A
Busbar Type	: Fully shrouded dual solid tin plated copper
Voltage Rating	: 220-440VAC 50/60 H
Fault level	: 35 kA
No. of Ways	: 12, 18, 24, 30, 36, 48, 60, 72 SPN
	: 4, 6, 8, 10, 12, 16, 20, 24 TPN
Degree of Protection	: IP 41
Enclosure Material	: Galvanized steel sheet
Steel Thickness.	: Box for 12-72 SPN 4-24 TPN 1 mm Pan assembly 12-72 SPN 4-24 TPN 1.5 mm
Knock outs - Body	: Top & bottom
Gland Plates	: Removable gland plates top and bottom
Enclosure Finish	: Gray, RAL 7035. Polyester epoxy powder paint. Other colours on request
Paint Film Thickness	: 60 - 80 microns
Incoming Options	: Switch-Isolator, MCB, MCCB, RCCB, Direct Connection
Terminals Capacity	: Switch-Isolator, Rotary Type Switches: 50 mm <sup>2</sup> MCB Frame size 63A: 25 mm <sup>2</sup> MCB Frame size 100A: 50 mm <sup>2</sup> MCCB Frame size 160A: 70 mm <sup>2</sup> & 95 mm <sup>2</sup> MCCB Frame size 250A: 185 mm <sup>2</sup> RCCB Frame size 63A: 25 mm <sup>2</sup> RCCB Frame size 100A: 50 mm <sup>2</sup> Direct cable connection with cable lugs: 150 mm <sup>2</sup>
Neutral Terminals Bar	: 16 mm <sup>2</sup> terminals for outgoing cables, and 2 x 50 mm <sup>2</sup> for incoming cable
Earth Terminals Bar	: 16 mm <sup>2</sup> terminals for outgoing cables, and 2 x 50 mm <sup>2</sup> for incoming cable

#### TP + N busbar type distribution boards

##### Incomer Type: Switch Isolator up to 125A Type E200 I series

Ways		Dimensions H x W x D mm	Ordering details		Weight kg
1P	3P		Type Code	Type No.	
12	4	498 x 400 x 117	GDMS312 S100FC	2CVB 101 091 M0001	7
18	6	559 x 400 x 117	GDMS318 S100FC	2CVB 201 091 M0001	9
24	8	648 x 400 x 117	GDMS324 S100FC	2CVB 301 091 M0001	11
30	10	701 x 400 x 117	GDMS330 S100FC	2CVB 401 091 M0001	13
36	12	752 x 400 x 117	GDMS336 S100FC	2CVB 501 091 M0001	15
48	16	920 x 400 x 117	GDMS348 S100FC	2CVB 601 091 M0001	17
60	20	1027 x 400 x 117	GDMS360 S100FC	2CVB 701 091 M0001	19
72	24	1134 x 400 x 117	GDMS372 S100FC	2CVB 801 091 M0001	21

#### TP + N busbar type distribution boards

##### Incomer Type: MCB up to 100A Type S280C

Ways		Dimensions H x W x D mm	Ordering details		Weight kg
1P	3P		Type Code	Type No.	
12	4	498 x 400 x 117	GDMS312 E100FC	2CVB 102 091 M0001	7
18	6	559 x 400 x 117	GDMS318 E100FC	2CVB 202 091 M0001	9
24	8	648 x 400 x 117	GDMS324 E100FC	2CVB 302 091 M0001	11
30	10	701 x 400 x 117	GDMS330 E100FC	2CVB 402 091 M0001	13
36	12	752 x 400 x 117	GDMS336 E100FC	2CVB 502 091 M0001	15
48	16	920 x 400 x 117	GDMS348 E100FC	2CVB 602 091 M0001	17
60	20	1027 x 400 x 117	GDMS360 E100FC	2CVB 702 091 M0001	19
72	24	1134 x 400 x 117	GDMS372 E100FC	2CVB 802 091 M0001	21

# Distribution Boards

## Mini Center compact

### Ordering details (continued)



**TP + N busbar type distribution boards**  
**Incomer Type: MCCB up to 160A Type Tmax T1**

Ways		Dimensions H x W x D mm	Ordering details		Weight kg
1P	3P		Type Code	Type No.	
12	4	498 x 400 x 117	GDMS312 C160FC	2CVB 104 111 M0001	7
18	6	559 x 400 x 117	GDMS318 C160FC	2CVB 204 111 M0001	9
24	8	648 x 400 x 117	GDMS324 C160FC	2CVB 304 111 M0001	11
30	10	701 x 400 x 117	GDMS330 C160FC	2CVB 404 111 M0001	13
36	12	752 x 400 x 117	GDMS336 C160FC	2CVB 504 111 M0001	15
48	16	920 x 400 x 117	GDMS348 C160FC	2CVB 604 111 M0001	17
60	20	1027 x 400 x 117	GDMS360 C160FC	2CVB 704 111 M0001	19
72	24	1134 x 400 x 117	GDMS372 C160FC	2CVB 804 111 M0001	21



**TP + N busbar type distribution boards**  
**Incomer Type: MCCB up to 250A Type Tmax T3**

Ways		Dimensions H x W x D mm	Ordering details		Weight kg
1P	3P		Type Code	Type No.	
12	4	498 x 400 x 117	GDMS312 M250FC	2CVB 105 151 M0001	7
18	6	559 x 400 x 117	GDMS318 M250FC	2CVB 205 151 M0001	9
24	8	648 x 400 x 117	GDMS324 M250FC	2CVB 305 151 M0001	11
30	10	701 x 400 x 117	GDMS330 M250FC	2CVB 405 151 M0001	13
36	12	752 x 400 x 117	GDMS336 M250FC	2CVB 505 151 M0001	15
48	16	920 x 400 x 117	GDMS348 M250FC	2CVB 605 151 M0001	17
60	20	1027 x 400 x 117	GDMS360 M250FC	2CVB 705 151 M0001	19
72	24	1134 x 400 x 117	GDMS372 M250FC	2CVB 805 151 M0001	21



**TP + N busbar type distribution boards**  
**Incomer Type: RCCB up to 100A Type F200**

Ways		Dimensions H x W x D mm	Ordering details		Weight kg
1P	3P		Type Code	Type No.	
12	4	498 x 400 x 117	GDMS312 R63FC	2CVB 103 071 M0001	7
18	6	559 x 400 x 117	GDMS318 R63FC	2CVB 203 071 M0001	9
24	8	648 x 400 x 117	GDMS324 R63FC	2CVB 303 071 M0001	11
30	10	701 x 400 x 117	GDMS330 R63FC	2CVB 403 071 M0001	13
36	12	752 x 400 x 117	GDMS336 R63FC	2CVB 503 071 M0001	15
48	16	920 x 400 x 117	GDMS348 R63FC	2CVB 603 071 M0001	17
60	20	1027 x 400 x 117	GDMS360 R63FC	2CVB 703 071 M0001	19
72	24	1134 x 400 x 117	GDMS372 R63FC	2CVB 803 071 M0001	21



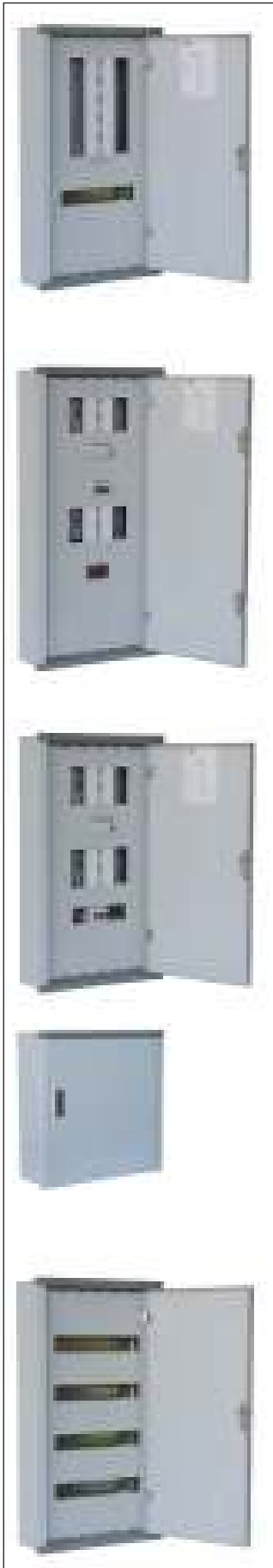
**TP + N busbar type distribution boards**  
**Incomer Type: Direct connection for cable lugs up to 150 mm<sup>2</sup>**

Ways		Dimensions H x W x D mm	Ordering details		Weight kg
1P	3P		Type Code	Type No.	
12	4	498 x 400 x 117	GDMS312 D200FC	2CVB 107 131 M0001	7
18	6	559 x 400 x 117	GDMS318 D200FC	2CVB 207 131 M0001	9
24	8	648 x 400 x 117	GDMS324 D200FC	2CVB 307 131 M0001	11
30	10	701 x 400 x 117	GDMS330 D200FC	2CVB 407 131 M0001	13
36	12	752 x 400 x 117	GDMS336 D200FC	2CVB 507 131 M0001	15
48	16	920 x 400 x 117	GDMS348 D200FC	2CVB 607 131 M0001	17
60	20	1027 x 400 x 117	GDMS360 D200FC	2CVB 707 131 M0001	19
72	24	1134 x 400 x 117	GDMS372 D200FC	2CVB 807 131 M0001	21

# Distribution Boards

## Mini Center compact

### Ordering details (continued)



#### TP + N busbar type distribution boards

##### Incomer Type: Combination busbar and Din Rail

Ways		Dimensions H x W x D mm	Ordering details		Weight kg
1P	3P		Type Code	Type No.	
12	4	498 x 400 x 117	GDMS312 MXFC	2CVB 106 001 M0001	7
18	6	559 x 400 x 117	GDMS318 MXFC	2CVB 206 001 M0001	9
24	8	648 x 400 x 117	GDMS324 MXFC	2CVB 306 001 M0001	11
30	10	701 x 400 x 117	GDMS330 MXFC	2CVB 406 001 M0001	13
36	12	752 x 400 x 117	GDMS336 MXFC	2CVB 506 001 M0001	15
48	16	920 x 400 x 117	GDMS348 MXFC	2CVB 606 001 M0001	17
60	20	1027 x 400 x 117	GDMS360 MXFC	2CVB 706 001 M0001	19
72	24	1134 x 400 x 117	GDMS372 MXFC	2CVB 806 001 M0001	21

#### TP + N busbar type distribution boards

##### Incomer Type: Isolator, MCB + RCCB

Ways		Dimensions H x W x D mm	Ordering details		Weight kg
1P	3P		Type Code	Type No.	
12+12	4+4	920 x 400 x 117	GDMS344 ER100FC	2CVB 908 091 M0001	11
18+12	6+4	920 x 400 x 117	GDMS364 ER100FC	2CVB 909 091 M0001	13
18+18	6+6	920 x 400 x 117	GDMS366 ER100FC	2CVB 910 091 M0001	15
24+12	8+4	1027 x 400 x 117	GDMS384 ER100FC	2CVB 911 091 M0001	17
24+18	8+6	1027 x 400 x 117	GDMS386 ER100FC	2CVB 912 091 M0001	19

#### TP + N busbar type distribution boards

##### Incomer Type: Combination Split Busbar and DIN Rail

Ways		Dimensions H x W x D mm	Ordering details		Weight kg
1P	3P		Type Code	Type No.	
12+12	4+4	701 x 400 x 117	GDMS344 SD100FC	2CVB 913 091 P0001	11
18+12	6+4	752 x 400 x 117	GDMS364 SD100FC	2CVB 914 091 P0001	13
18+18	6+6	920 x 400 x 117	GDMS366 SD100FC	2CVB 915 091 P0001	15
24+12	8+4	920 x 400 x 117	GDMS384 SD100FC	2CVB 916 091 P0001	17
24+18	8+6	920 x 400 x 117	GDMS386 SD100FC	2CVB 917 091 P0001	19

#### Extension Boxes

Description	Dimensions H x W x D mm	Ordering details		Weight kg
		Type Code	Type No.	
Cable box height 200	200 x 400 x 117	GDMS200 EXBEFC	2CVA 002 101 R1001	3
Cable box height 400	400 x 400 x 117	GDMS400 EXBEFC	2CVA 002 102 R1001	5
Box with steel flap & one Din Rail	200 x 400 x 117	GDMS200 EXBFFC	2CVA 002 103 R1001	3

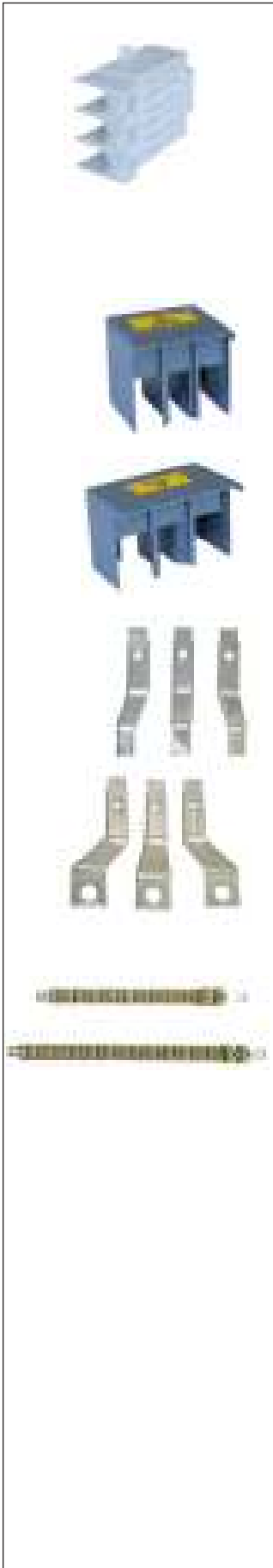
#### Multi row type distribution boards 16 modules per row (distance between rows 150 mm)

No. of Rows	Dimensions H x W x D mm	Ordering details		Weight kg
		Type Code	Type No.	
2	498 x 400 x 117	GDMS332 RX	2CVA 250 001 P0001	10
3	648 x 400 x 117	GDMS348 RX	2CVA 360 001 P0001	12
4	752 x 400 x 117	GDMS364 RX	2CVA 470 001 P0001	14
5	920 x 400 x 117	GDMS380 RX	2CVA 580 001 P0001	16

# Distribution boards

## Mounting kits

### Ordering details



#### Isolator, MCB Shroud

Description	Ordering details		Weight kg
	Type Code	Type No.	
Shroud for 3 pole Isolator or MCB	SA5827 059PA	2CVN 001 101 R1001	0.15

#### RCCB Incoming Shroud

Description	Ordering details		Weight kg
	Type Code	Type No.	
Shroud for 4 pole RCCB	SA5827 095PA	2CVN 001 102 R1001	0.12

#### MCCB Tmax T1 Incoming Shroud

Description	Ordering details		Weight kg
	Type Code	Type No.	
Shroud for 3 pole MCCB Tmax Type T1	SA5827 090	2CVN 001 103 R1001	0.13

#### MCCB Tmax T3 Incoming Shroud

Description	Ordering details		Weight kg
	Type Code	Type No.	
Shroud for 3 pole MCCB Tmax Type T3	SA5827 091	2CVN 001 104 R1001	0.14

#### MCCB Tmax T1 Incoming Copper Connections

Description	Ordering details		Weight kg
	Type Code	Type No.	
Copper connections for 3 pole MCCB Tmax Type T1	SA5281 008PG	2CVN 001 105 R1001	0.21

#### MCCB Tmax T3 Incoming Copper Connections

Description	Ordering details		Weight kg
	Type Code	Type No.	
Copper connections for 3 pole MCCB Tmax Type T3	SA5281 026PG	2CVN 001 106 R1001	0.23

#### Neutral or earth bar with terminal 16 mm<sup>2</sup>

Description	Ordering details		Weight kg
	Type Code	Type No.	
Neutral or Earth bar suitable for 12, 18, 30, 36 way 1 pole or 4, 6, 10, 12 way 3 pole	NB-24A	2CVN 001 107 R1001	0.18
Neutral or Earth bar suitable for 24, 48 way 1 pole or 8, 16 way 3 pole	NB-30A	2CVN 001 108 R1001	0.23

# Consumer Units

## Styler

### Technical Data / Ordering details

Standard	: EC 439-3 & BS 60439-3
Maximum Load	: 100A
Maximum Voltage	: 220-440VAC 50/60 H
Range	: 7, 10, 16 and 20 TPN
Degree of Protection	: IP 40
Enclosure Material	: Aluzinc steel sheet: Optimum corrosion resistance and galvanic protection on the steel
Steel Thickness.	: Box and cover 1 mm
Knock outs - Body	: Top, bottom and rear
Enclosure Finish	: Gray, RAL 7035. Polyester epoxy powder paint. Other colours on request
Paint Film Thickness	: 60 - 80 microns
Plastic Film & Flap	
Incoming Options	: Switch-Isolator, MCB, and RCCB
Terminals Capacity	: Switch-Isolator, Rotary Type Switches: 50 mm <sup>2</sup> MCB Frame size 63A: 25 mm <sup>2</sup> RCCB Frame size 63A: 25 mm <sup>2</sup> RCCB Frame size 100A: 50 mm <sup>2</sup>
Neutral Terminals Bar	: 16 mm <sup>2</sup>
Earth Terminals Bar	: 16 mm <sup>2</sup>

#### Plastic flap

Modules	Dimensions H x W x D mm	Ordering details		Weight kg
		Type Code	Type No.	
7	250 x 203 x 90	GCMC 107PLFC	2CVA 111 001 P0001	2
10	250 x 257 x 90	GCMC 110PLFC	2CVA 121 001 P0001	3
16	250 x 362 x 90	GCMC 116PLFC	2CVA 131 001 P0001	4
20	250 x 434 x 90	GCMC 120PLFC	2CVA 141 001 P0001	5

#### Steel flap

Modules	Dimensions H x W x D mm	Ordering details		Weight kg
		Type Code	Type No.	
7	250 x 203 x 90	GCMC 107SLSC	2CVA 112 001 P0001	2
10	250 x 257 x 90	GCMC 110SLSC	2CVA 122 001 P0001	3
16	250 x 362 x 90	GCMC 116SLSC	2CVA 132 001 P0001	4
20	250 x 434 x 90	GCMC 120SLSC	2CVA 142 001 P0001	5

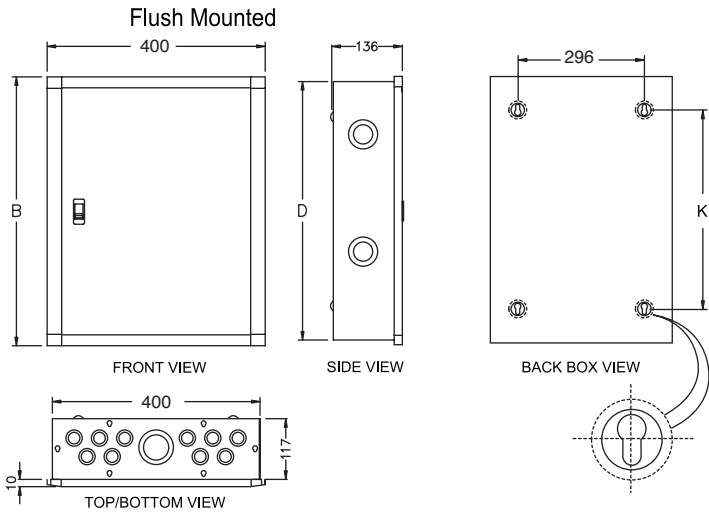


# Distribution Boards

## Mini Center compact

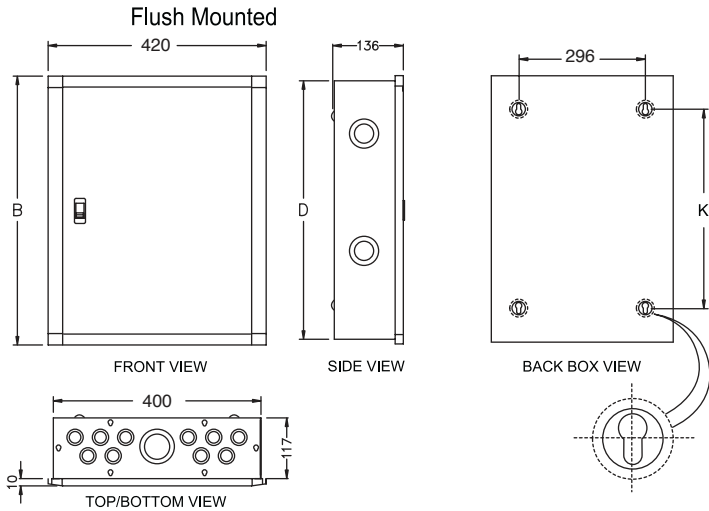
### Dimensional details

#### TP + N busbar type distribution boards



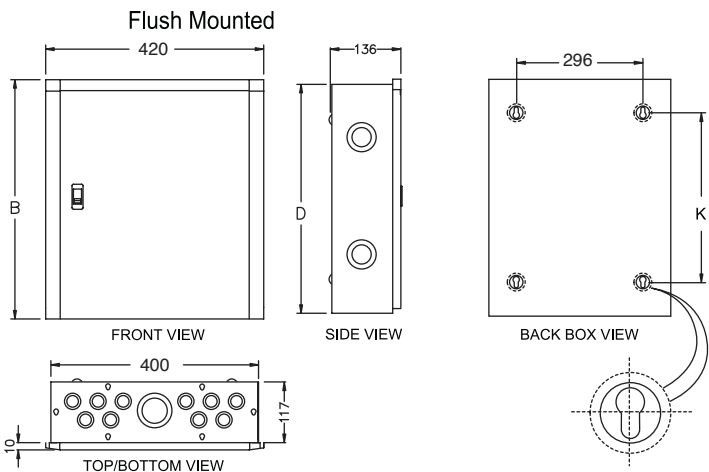
Type Code	B (mm)	D (mm)	K (mm)
GDMS312 xxxxFC	518	498	372
GDMS318 xxxxFC	579	559	433
GDMS324 xxxxFC	668	648	522
GDMS330 xxxxFC	721	701	575
GDMS336 xxxxFC	772	752	626
GDMS348 xxxxFC	940	920	794
GDMS360 xxxxFC	1047	1027	901
GDMS372 xxxxFC	1145	1134	1008
GDMS312 MXFC	518	498	372
GDMS318 MXFC	579	559	433
GDMS324 MXFC	668	648	522
GDMS330 MXFC	721	701	575
GDMS336 MXFC	772	752	626
GDMS348 MXFC	940	920	794
GDMS360 MXFC	1047	1027	901
GDMS372 MXFC	1145	1134	1008
GDMS344 ER100FC	940	920	794
GDMS364 ER100FC	940	920	794
GDMS366 ER100FC	1047	1027	901
GDMS384 ER100FC	1047	1027	901
GDMS386 ER100FC	1047	1027	901
GDMS344 SD100FC	721	701	575
GDMS364 SD100FC	772	752	626
GDMS366 SD100FC	940	920	794
GDMS384 SD100FC	940	920	794
GDMS386 SD100FC	940	920	794

#### Multi row type distribution boards 16 modules per row



Type Code	B (mm)	D (mm)	K (mm)
GDMS332 RX	518	498	372
GDMS348 RX	668	648	522
GDMS364 RX	772	752	626
GDMS380 RX	940	920	794

#### Extension Boxes



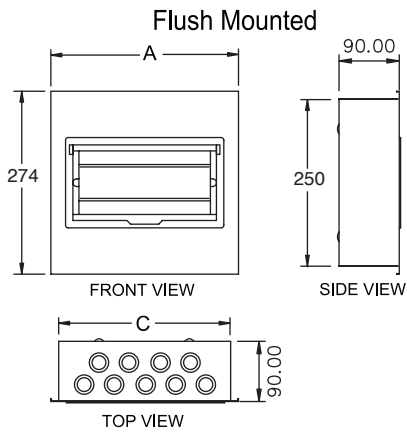
Type Code	B (mm)	D (mm)	K (mm)
GDMS200 EXBEFC	210	200	74
GDMS400 EXBEFC	410	400	274
GDMS200 EXBFFC	210	200	74

# Consumer Units

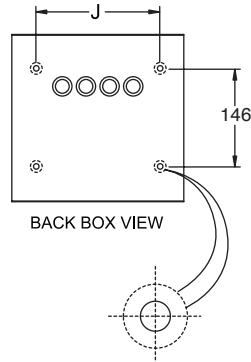
## Styler

### Dimensional details

#### Plastic flap

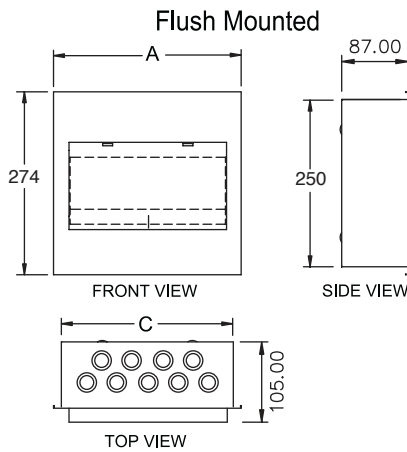


#### Box Mounting Hole Dimension

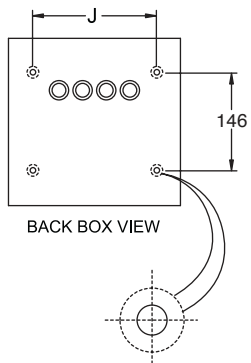


Type Code	A (mm)	C (mm)	J (mm)
<b>GCMC 107PLFC</b>	227	203	133
<b>GCMC 110PLFC</b>	281	257	183
<b>GCMC 116PLFC</b>	386	362	290
<b>GCMC 120PLFC</b>	458	434	362

#### Steel flap



#### Box Mounting Hole Dimension

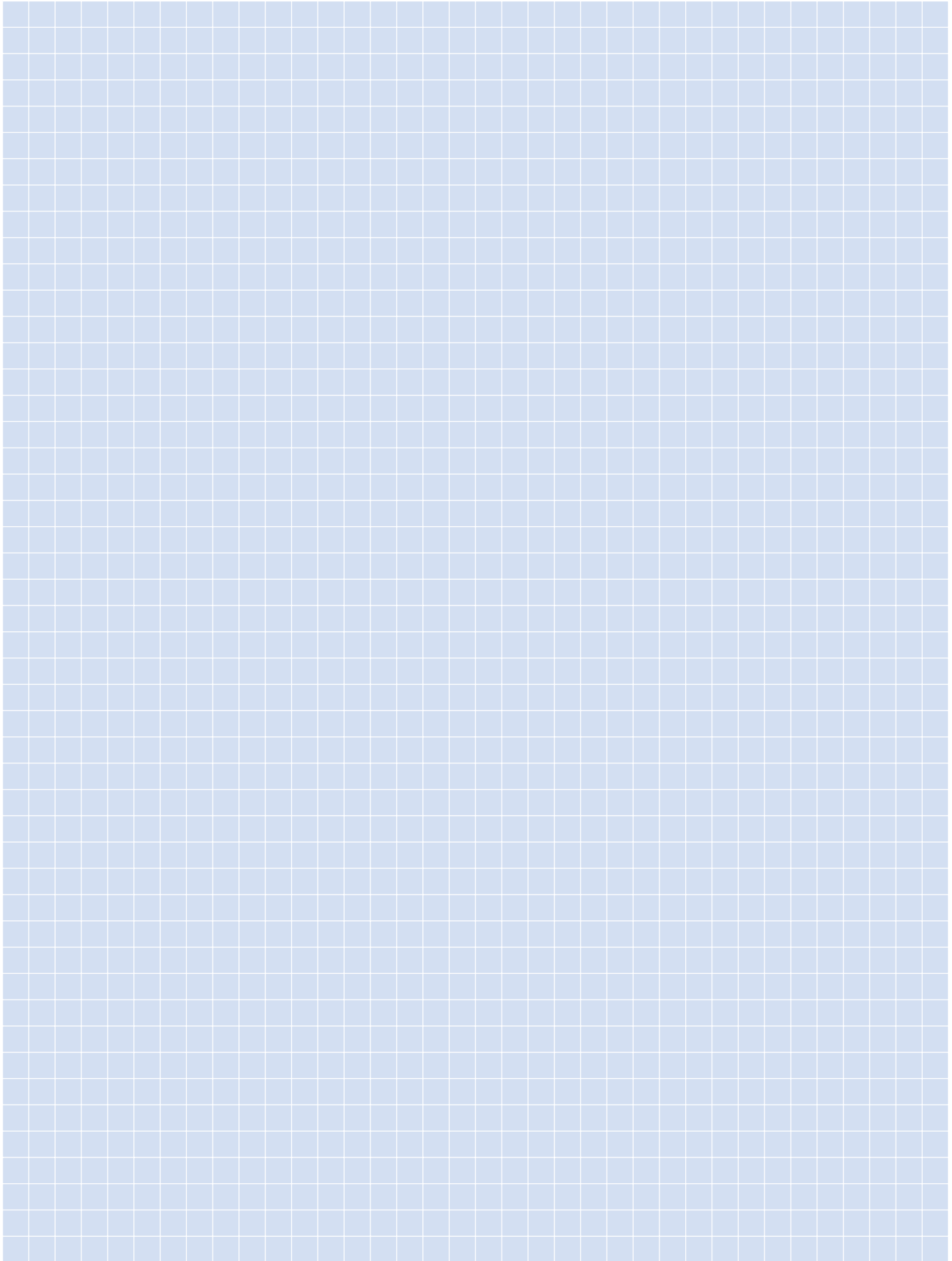


Type Code	A (mm)	C (mm)	J (mm)
<b>GCMC 107SLSC</b>	227	203	133
<b>GCMC 110SLSC</b>	281	257	183
<b>GCMC 116SLSC</b>	386	362	290
<b>GCMC 120SLSC</b>	458	434	362

---

# Notes

---





As part of its on-going product improvement, ABB reserves the right to modify the characteristics or the products described in this document. The information given is not-contractual. For further details please contact the ABB company marketing these products in your country.

Publication  
No.: SKC802027C0201  
Printed in Egypt (Dec. 2007)  
**ein** visual communication

---

**ABB Electrical Industries Co. Ltd.**

**Riyadh**

P.O. Box 251 Riyadh 11383, KSA  
Tel.: + 966 (1) 265 3030  
Fax: + 966 (1) 265 1211

**Al-Khobar**

P.O. Box 2873 Al-Khobar 31952, KSA  
Tel.: + 966 (3) 882 9394  
Fax: + 966 (3) 882 4603

**Jeddah**

P.O. Box 12539 jeddah 21483, KSA  
Tel.: + 966 (2) 669 6909  
Fax: + 966 (2) 669 4310

[www.abb.com.sa](http://www.abb.com.sa)