



September 2016

Stanilite® Product selection guide

Stanilite®

Stanilite[®]

Product selection guide

Introduction	3
e-Range	11
s-Range	19
p-Range	37
Emergency lighting spacing table	49



Stanilite

Leading the way in emergency lighting technology

Stanilite is a leading life safety solutions provider, delivering state-of-the-art systems and products into the emergency lighting marketplace. Our products and services are specifically designed to provide the most effective protection and safety, in line with customer needs, relevant industry standards and regulations.

The Stanilite concept is clear and simple. Providing you a reliable, total solution for safe evacuation. The way in which we do this is what makes the difference:

Ease of installation with modular design

Many of our products are engineered to a modular design format, which promotes straightforward, cost-effective installation and maintenance. Modular design enables first-fix installation of the key wiring components with later connection of gear trays, diffusers and edgelit etc, for easy management and replacement of parts.

Single box solution

A wide range of pictograph solutions included in the one box.

Quickfit®

The Quickfit range employs LED technology offering unsurpassed light source performance and longevity. Coupled with pulsetime control of battery charging, which maximises battery life, the result is exceptional efficiency. Compatible with existing Quickfit mounting brackets and available in a frame-only configuration which will accept existing Quickfit diffusers, upgrading of existing installations to the latest technology is both simple and cost effective.

Spitfire®

Spitfire range has been designed to provide high visibility whilst remaining architecturally pleasing with a modern and unobtrusive design. A full range of products are available in recessed, surface mount and weatherproof surface mount variants in standard, Nexus LX and Nexus RF. There are single and dual LED fittings available, ensuring you have a product for all applications.

Clear installation manuals

Clear installation manuals and a modular system allow for the products to be easily installed. Stanilite offers you practical solutions for all applications, giving you an immediate advantage.

Providing solutions that cover all applications

When choosing a partner for emergency lighting, you need a supplier capable of delivering a solution whenever the need arises, whether you're planning a new build project, overseeing an installation, or considering renewal of a long standing system.

With our e-Range, s-Range and p-Range – Stanilite offers a comprehensive portfolio of products to suit individual budget and project requirements. No matter how large or small the installation is, you can buy with peace of mind knowing that each product is designed using the most innovative and cutting edge technology, delivered to you at a competitive price. Stanilite emergency lighting products are designed and manufactured under the ISO9001 Quality Management System, ensuring reduced failure rates and higher quality finished products for the Australian and New Zealand markets. By choosing Stanilite as your emergency lighting partner, you will be placing your projects, systems, and your people in safe hands.

<p>p-Range</p> <p>5</p> <p>YEAR WARRANTY</p>	<p>The only product range, currently available on the market, that comes with 5 year warranty</p> <ul style="list-style-type: none">- AS2293 tested high quality emergency product- Reliable Stanilite brand- LED energy efficient products- 10 year product design life- Lithium batteries- Advance power management- Low maintenance products- Nexus monitored products available
<p>s-Range</p> <p>3</p> <p>YEAR WARRANTY</p>	<ul style="list-style-type: none">- AS2293 tested high quality emergency product- Reliable Stanilite brand- LED energy efficient products- 10 year product design life- NiCad/Lithium batteries- Nexus monitored products available
<p>e-Range</p> <p>1</p> <p>YEAR WARRANTY</p>	<ul style="list-style-type: none">- AS2293 tested high quality emergency product- Reliable Stanilite brand- Simple battery management- Low power consumption

Stanilite emergency lighting

Product ranges to suit your individual needs



Easily identifiable ranges

Platinum: p-Range
Blue: s-Range
Green: e-Range

SF1LEDP
5 year warranty
LED platinum Spitfire single recessed
Includes white adaptors to convert to 86mm and 141mm diameter size
Lamp life: 100,000 hours
Power consumption: 1.0W
Battery: Lithium
Controlled: single point unit

Warranty

Length of warranty clearly labelled

SF1LED
3 year warranty
LED Spitfire single recessed
Includes white adaptors to convert to 86mm and 141mm diameter size
Lamp life: 100,000 hours

Product information and description

Product information including pictograph reference, provides ease of selection

Stanilite

Qty: 1

What is Nexus?

Nexus, is a real-time emergency lighting monitoring system which offers building owners control over their public safety obligations, helps manage installation and directs the maintenance of an emergency lighting system.

A Nexus network enables the user to:

- Manage the installation and removal of components
- Cost effectively test and monitor the system
- Assign fittings to groups. Fittings are collected in groups so that they can be tested together in a logical manner e.g. groups could represent different floors or departments.
- Manage maintenance activities. Any fitting that fails a test or exhibits a fault will be automatically added to the maintenance group ensuring easy identification of the fittings requiring maintenance. The fittings are automatically removed from the maintenance group once they have been repaired and re-tested.
- Ensure tests are performed properly
- Prepare reports. Testing and maintenance functions can be documented using the Nexus reporting functions. You can record all maintenance operations to satisfy requirements of AS/NZS 2293.2, and plan future maintenance budgets through the use of an online log book.
- Log test results and print them as required.

Nexus has been designed to enable maintenance personnel to easily maintain the emergency lighting system without having to walk through the building or disrupt the power supply. Nexus can test and report on the status of emergency lights either individually, in groups or all together.

Nexus RF?

Nexus RF, a wireless system which uses a proprietary protocol for radio frequency wireless communication between the fittings and network infrastructure. This system does not require a server computer, nor does it require data cabling to fittings. User interaction with Nexus RF is via a website browser on any computer with access to the network. Alternatively, the graphical user interface (GUI) integral to the system Area Controller may be used.

Features and benefits

Endless applications

Cost savings

- Slash installation costs
- Ongoing labour costs

Reliability

- 900 MHz networking system
- Optimum channel selection
- Foolproof installation
- Self-monitoring
- Independent system
- Stanilite reputation

Simplicity

- Simple Australian Standards Compliance
- SPU style installation
- Hassle free system installation
- Easy system controls
- Through-life product support service

Flexibility

- Wireless technology
- User choice

Nexus LX?

Nexus LX, a cabled system designated which utilises the lonworks protocol and relies upon data cable for communication between fittings and network infrastructure. A server computer, running Nexus LX software, provides the user interface to the system.

Features and benefits

- Labour saving
- Maximise system availability
- Self monitoring
- Independent system
- Data integrity
- Bus topology
- Single twisted pair cable
- Easy to use graphic user interface
- Through-life product support service
- Nexus LX training
- Nexus LX warranty

Nexus RF

Innovative solutions for monitored emergency lighting systems

Nexus RF takes the time proven Nexus system and replaces the data cable with a radio frequency (RF) method of communication. The result is a system with numerous advantages including further cost reductions in the establishment and maintenance of an emergency lighting monitoring system.



Endless applications



Simplicity through commissioning



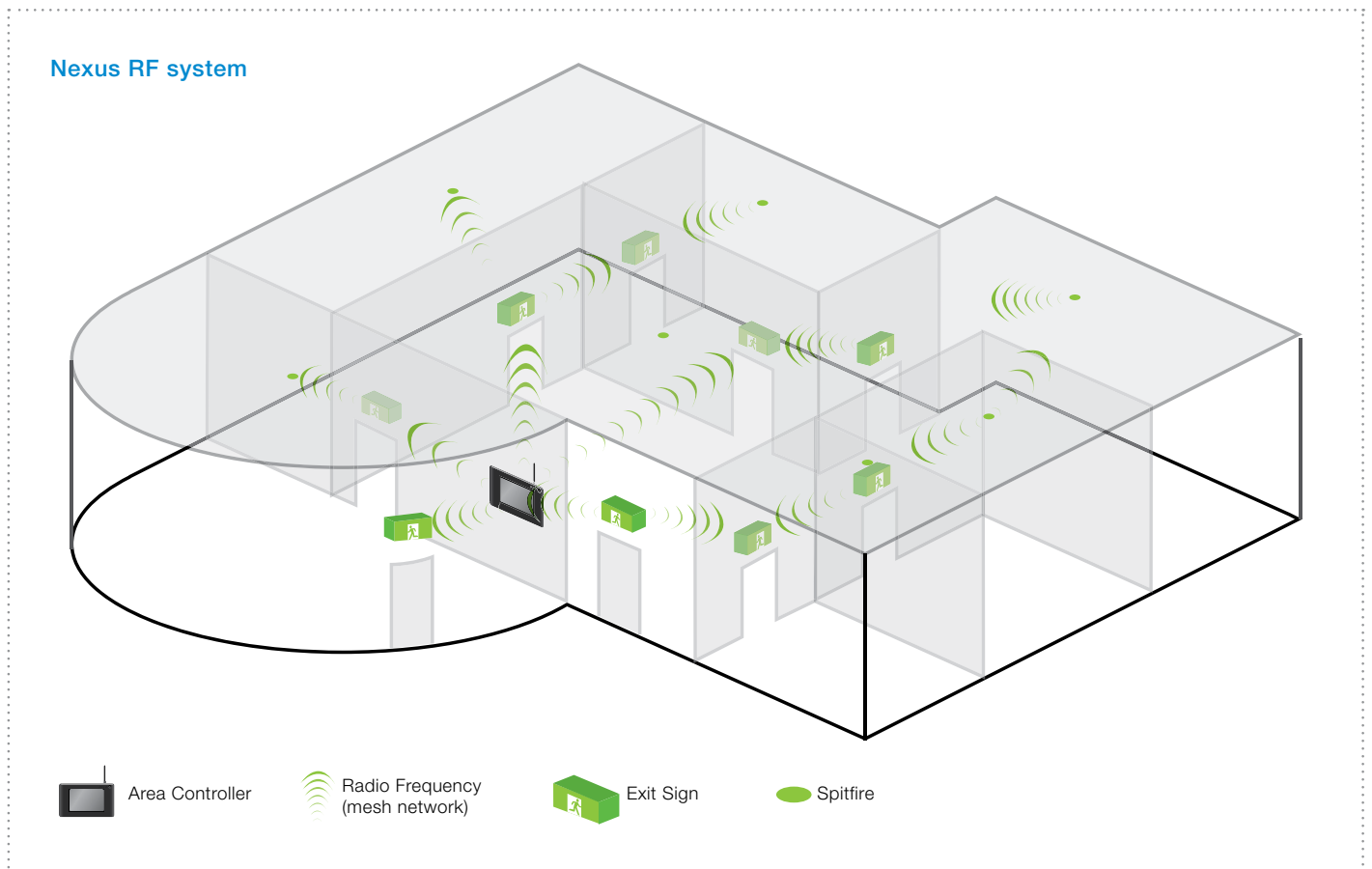
Wireless technology



Cost savings on installation



Reliability through self monitoring



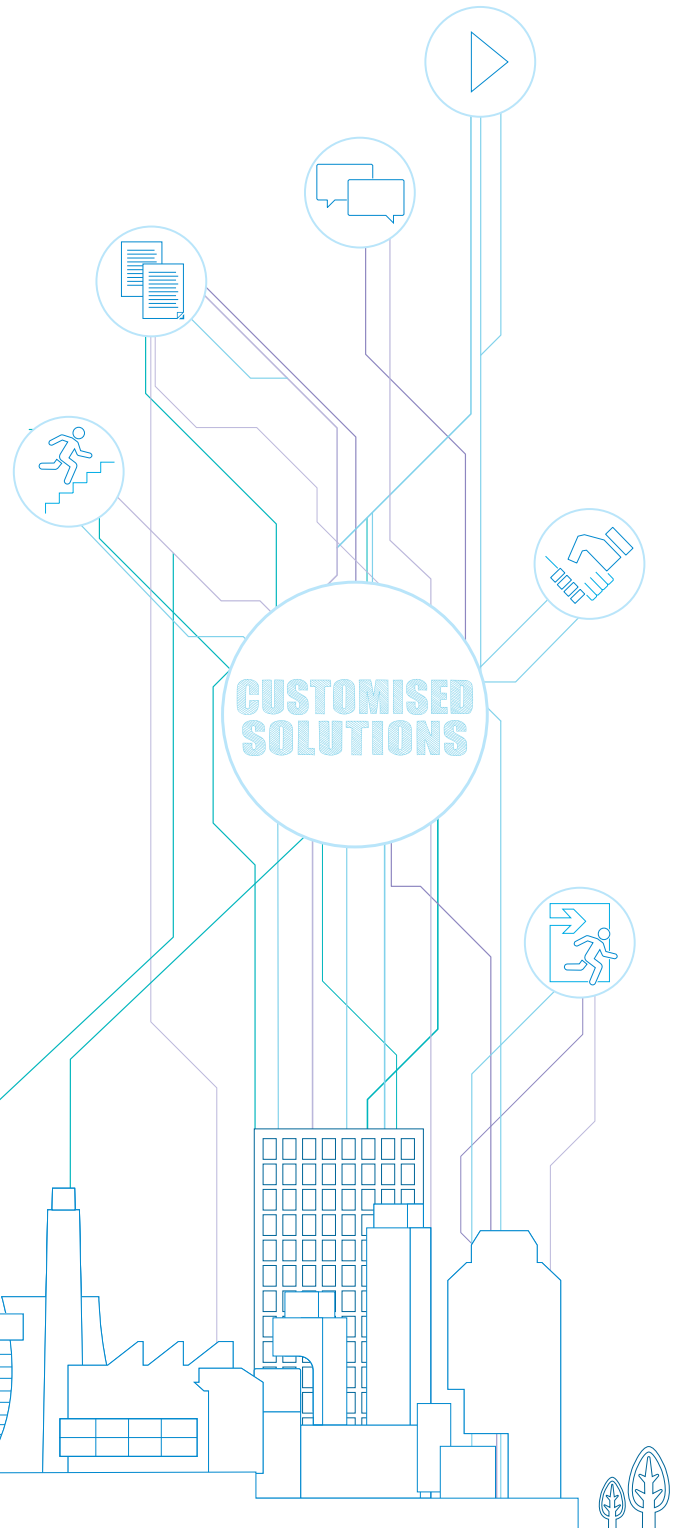
Stanilite

The innovators in emergency lighting solutions

With more than 40 years experience in delivery emergency lighting solutions to the Australian market, Stanilite has been recognised as the market innovator and trusted brand for emergency lighting fixtures and monitored systems. Over this period we have continually developed leading edge products guided by our core values of providing the Australian emergency lighting market with the safest, most reliable, environmentally friendly, energy efficient emergency lighting fixtures.

It was with these guiding principles we first developed products such as Quickfit, Spitfire and Nexus, which quickly became the most recognised trademarks in the Australian emergency lighting industry. Our Nexus RF system, designed and engineered in Australia, was such a successful system that it has been installed throughout the world where electrical contractors and building owners alike realised the benefits Nexus RF offer.

We have a long and proud history of developing innovative and customised solutions and will continue to strive for excellence to exceed the market needs.



Australian based factory



Extensive in-house test facilities



40 years experience in specialised solutions



A variety of installation and support solutions



Highly skilled technical engineering team



Strong after sales support

Icon legend



Regulatory Compliance Mark (RCM)



1 year warranty



3 year warranty



5 year warranty



Lamp life 50,000 hours



Lamp life 75,000 hours



Lamp life 100,000 hours



NiCad battery



NiMH battery



Sealed lead acid battery



Lithium battery



Weatherproof rating IP65



Weatherproof rating IP67



10 year design life warranty of fittings



e-Range

Spitfire LED	12
Economy Spitfire LED recessed non-maintained	12
Exit LED	13
Economy exit LED slide connect	13
Economy exit LED one box – ceiling mount	14
Economy exit LED one box – wall mount	15
Batten	16
Economy batten standard emergency	16
Circular LED	17
Economy e-Luna circular LED with or without motion detect sensor	17

Spitfire LED

Economy Spitfire LED recessed non-maintained



e-Range



Features

- 1 year warranty
- D40 photometric classification
- LED technology 75,000 hours lamp life
- Low power consumption
- High temperature NiCad batteries
- Spring fixing design allows for different ceiling thickness (1mm – 20mm)
- White adaptor included to convert standard 85mm lamp head to 140mm diameter



Catalogue no.	Description	Weight	Light source	Power consumption	Photometrics*
ESFLED	LED Economy Spitfire recessed	1.0kg	2W	2.0W average/3.6W maximum	C0 D40 C90 D40

*Preliminary results

Dimensions

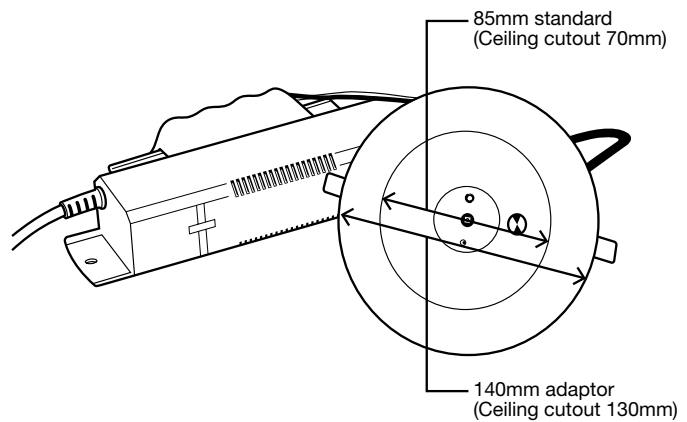
Lamp head	Ceiling cutout
85mm standard	70mm
140mm adaptor	130mm

Construction

Part	Construction
Lamp head	White polycarbonate

Spare parts

Catalogue no.	Description
03-01222	Battery 4 cell NiCad 4.8V 1.8Ah



> **s-Range** equivalent – see page 20
 > **p-Range** equivalent – see page 38

Exit LED

Economy exit LED slide connect



Features

- 1 year warranty
- Emergency classification
- LED technology 75,000 hours lamp life
- High temperature NiCad batteries
- Architecturally pleasing design
- Unique slide connect bracket that provides strength and enables quick and easy maintenance
- Large terminal block (16mm²) for easy wiring
- Includes all pictograph diffuser options
- Universal wall/ceiling mounting, can also be rod or wire suspended

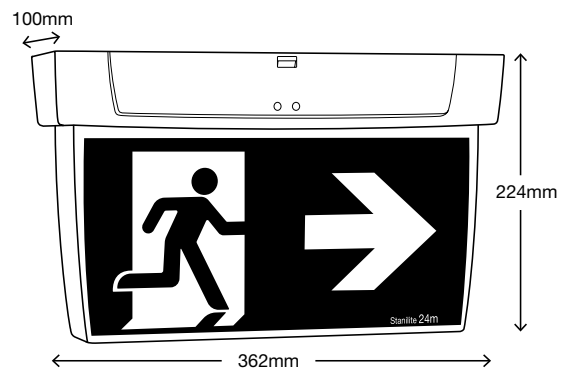


Catalogue no.	Description	Weight	Light source	Power consumption	Photometrics*
EELED	LED Economy pictograph exit	2.0kg	Multiple LED 1.2W	6.5W	Class Classification C0 D2.5 C90 E2.5

*Preliminary results

Dimensions

Length	Width	Height (incl. bracket)
362mm	100mm	224mm



Construction

Part	Construction
Body and diffuser	UV/FR polycarbonate
Bracket	UV/FR polycarbonate

Spare parts

Catalogue no.	Description
03-01204	Battery 3 cell NiCad 3.6V 1.6Ah

Exit LED

Economy exit LED one box – ceiling mount



e-Range



Features

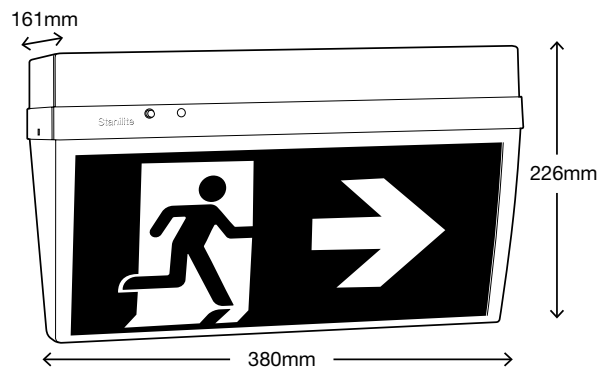
- 1 year warranty
- LED technology 75,000 hours lamp life
- Low power consumption and LED light source for reduced operation and maintenance costs
- High temperature NiCad batteries
- Strong, lightweight, UV/FR ABS body and gear tray
- Ceiling mount
- Switched active input available for mains switching
- Large terminal block (16mm²) for easy wiring
- Designed for direct replacement of installed 10W Economy exit EE110M and EE210S
- Retrofit capability; gear tray fits into existing 10W Economy exit EE110M and EE210S base
- One box solution – includes diffuser and pictograph for single/double sided installation



Catalogue no.	Description	Weight	Light source	Power consumption	Photometrics
ECOLEDGM	Economy exit LED pictograph one box ceiling mount	1.4kg	Multiple LED 1.2W	6.5W	Class Classification C0 D5 C90 D5

Dimensions

Length	Width	Height
380mm	161mm	226mm



Construction

Part	Construction
Body	Moulded UV/FR ABS
Diffuser	Moulded acrylic

Spare parts

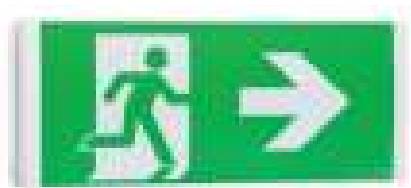
Catalogue no.	Description
03-01204	Battery 3 cell NiCad 3.6V 1.6Ah

Accessories

Catalogue no.	Description
EEWGCM	Wire guard ceiling mount

Exit LED

Economy exit LED one box – wall mount



Features

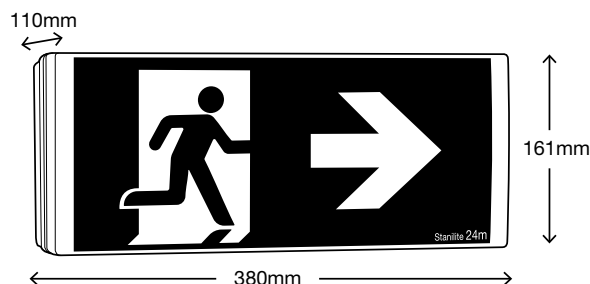
- 1 year warranty
- LED technology 75,000 hours lamp life
- Low power consumption and LED light source for reduced operation and maintenance costs
- High temperature NiCad batteries
- Strong, lightweight, UV/FR ABS body and gear tray
- Wall mount
- Switched active input available for mains switching
- Large terminal block (16mm²) for easy wiring
- Designed for direct replacement of installed 10W Economy exit EE110M and EE210S
- Retrofit capability; gear tray fits into existing 10W Economy exit EE110M and EE210S base
- One box solution – includes diffuser and pictograph for single sided installation



Catalogue no.	Description	Weight	Light source	Power consumption	Photometrics			
					Class Classification			
ECOLEDWM	Economy exit LED pictograph one box wall mount	1.4kg	Multiple LED 1.2W	6.5W	C0	E2	C90	E2

Dimensions

Length	Width	Height
380mm	110mm	161mm



Construction

Part	Construction
Body	Moulded UV/FR ABS
Diffuser	Moulded acrylic

Spare parts

Catalogue no.	Description
03-01204	Battery 3 cell NiCad 3.6V 1.6Ah

Accessories

Catalogue no.	Description
EEWGWM	Wire guard wall mount

Batten

Economy batten standard emergency



e-Range



Features

- 1 year warranty
- Electronic control gear
- HPF – high power factor
- High temperature NiCad batteries
- Optional acrylic prismatic diffuser or white galvanised steel wire guard



Catalogue no.	Description	Weight	Photometrics*											
			Class		Bare		Diffuser		Wire guard					
			Classification											
ECBT118M	Economy batten 1x18W T8 maintained	3.0kg	C0	C90	D25	C25	D20	C16	D20	C20				
ECBT118N	Economy batten 1x18W T8 non-maintained	3.0kg	C0	C90	D25	C25	D20	C16	D20	C20				
ECBT218M	Economy batten 2x18W T8 maintained	3.0kg	C0	C90	C180	D40	D16	D50	D32	C50	D50	D32	C40	D40
ECBT218S	Economy batten 2x18W T8 sustained	3.0kg	C0	C90	C180	D20	C20	D16	D20	C12.5	D12.5	D20	C20	D12.5
ECBT136M	Economy batten 1x36W T8 maintained	3.5kg	C0	C90		D63	D20		D32	C32		D32	D12.5	
ECBT136N	Economy batten 1x36W T8 non-maintained	3.5kg	C0	C90		D40	C40		D32	C32		D32	D12.5	
ECBT236M	Economy batten 2x36W T8 maintained	4.0kg	C0	C90	C180	D63	D25	D63	D50	D20	D63	D50	D20	D63
ECBT236S	Economy batten 2x36W T8 sustained	4.0kg	C0	C90	C180	D40	C25	D32	D40	C32	D25	D32	C40	D25

Note:
 - 1x58W and 2x58W configurations available on request.
 - Lamps not supplied.

*Preliminary results

Dimensions

Model	Length	Width	Bare height	Diffused height	Wire guard height
18W	615mm	123mm	82mm	132mm	132mm
1x36W	1225mm	65mm	82mm	132mm	132mm
2x36W	1225mm	120mm	82mm	132mm	132mm

Construction

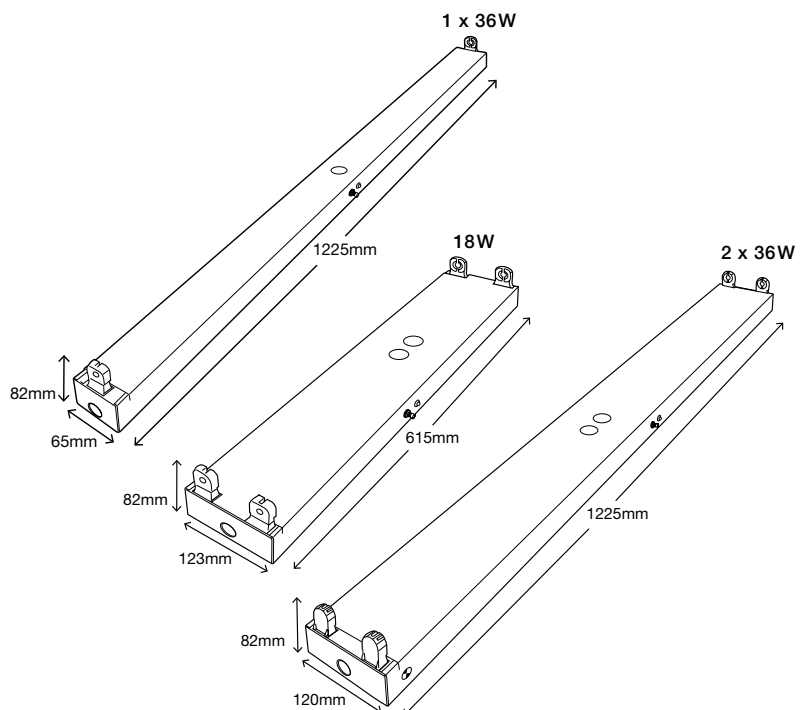
Part	Construction
Body	White powder coated steel
Diffuser	Acrylic prismatic
Wire guard	Galvanised white powder coated

Spare parts

Catalogue no.	Description
03-01015P	Battery 3 cell NiCad 3.6V 4.0Ah (suits 18W)
03-01001P	Battery 4 cell NiCad 4.8V 4.0Ah (suits 36W)

Accessories

Catalogue no.	Description
PR18	Diffuser kit to suit 18W battens
PR136	Diffuser kit to suit 1x36W battens
PR236	Diffuser kit to suit 2x36W battens
WG18	Wire guard kit to suit 18W battens
WG136	Wire guard kit to suit 1x36W battens
WG236	Wire guard kit to suit 2x36W battens



Circular LED

Economy e-Luna circular LED with or without motion detect sensor



Features

AC/EM unit:

- 1 year warranty
- Ceiling or wall mount
- IP20
- Indoor use only
- High efficiency LEDs
- Long LED life 50,000 hours with low maintenance suitable for difficult to access areas
- High colour rendering index CRI >80
- Colour temperature 4,000k
- High temperature NiCad batteries

Motion detect option:

- Microwave motion detect sensor with settings for delay time, detection range and light value function
- Luminaire is not switched on if there is adequate ambient illumination in the area sensed
- Maximum installation height 5m with variable range (0.5 - 5.0m)



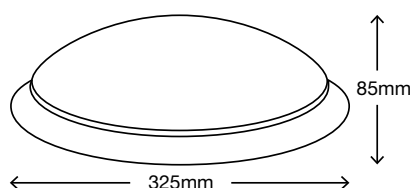
Catalogue no.	Description	Weight	Light source	Power consumption*		
				Normal	S/A Off	Standby
ECLAC22L	e-Luna circular LED IP20 AC 2200 lumens	1.2kg	LED Strip 23W	26.5W	N/A	N/A
ECLAC22LMD	e-Luna circular LED IP20 AC 2200 lumens with motion detect sensor	1.2kg	LED Strip 23W	28.0W	N/A	4.0W
ECLEM22LM	e-Luna circular LED IP20 EM 2200 lumens maintained	1.7kg	LED Strip 23W	31.0W	4.6W	N/A
ECLEM22LMMD	e-Luna circular LED IP20 EM 2200 lumens maintained with motion detect sensor	1.7kg	LED Strip 23W	32.5W	4.5W	9.0W

*NB: Standby for motion detect versions only, AC light dimmed

Photometrics*

EM Model	Class Classification			
	Ceiling mount	C0	D32	C90
Wall mount	C0	D16	C90	D16

*Preliminary results



Dimensions

Diameter	Height (including diffuser)
325mm	85mm

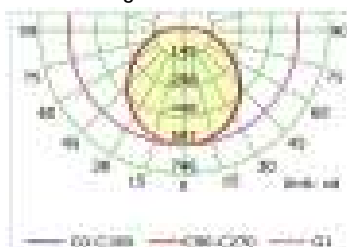
Construction

Part	Construction
Base	Metal white powder coated finish
Diffuser	Acrylic

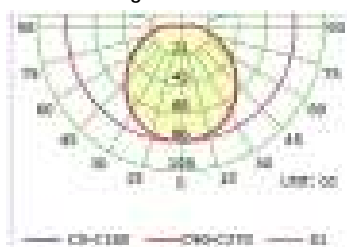
Spare parts

Catalogue no.	Description
03-01223	Battery 3 cell NiCad 3.6V 4.5Ah

AC Polar diagram:



EM Polar diagram:





s-Range

Spitfire LED	20
Signature Spitfire LED recessed non-maintained	20
Signature Spitfire LED surface mount non-maintained	21
Signature Spitfire LED weatherproof non-maintained	22
Exit LED Quickfit	23
Signature exit LED Quickfit	23
Exit LED edgelit	24
Signature exit LED edgelit Quickfit	24
Signature exit LED edgelit surface mount	25
Signature exit LED edgelit recessed	26
Signature exit LED edgelit recessed, original style square diffuser	27
Exit LED Quickfit	28
Signature exit LED Quickfit theatre mask	28
Exit LED	29
Signature exit LED Quickfit vandal resistant	29
Exit LED Quickfit	30
Signature exit LED Quickfit weatherproof	30
Exit LED	31
Signature exit LED jumbo	31
Batten LED	32
Signature batten LED weatherproof with or without motion detect sensor	32
Circular LED	33
Signature circular LED weatherproof with or without motion detect sensor	33
Flood light LED	34
Signature flood light LED	34
Signature flood light LED weatherproof	35

Spitfire LED

Signature Spitfire LED recessed non-maintained



Features

- 3 year warranty
- Superior photometric classification
- LED technology 100,000 hours lamp life
- Single or dual LED option
- High temperature NiCad batteries
- Spring fixing design allows for different ceiling thickness (1mm – 20mm)
- White adaptors included to convert standard 60mm lamp head to 85mm diameter and 141mm diameter sizes
- White square adaptor available for standard lamp head
- Metal trim covers available in black or natural stainless steel finish for standard round and square lamp heads
- Metal trim covers can also be painted to any colour
- Standard or Nexus monitored, either cabled or wireless



Catalogue no.	Description	Weight	Light source	Power consumption	Photometrics			
					Class Classification			
SF1LED	LED Spitfire single recessed	1.0kg	2W	5.5W	C0	D40	C90	D40
SF2LED	LED Spitfire dual recessed	1.0kg	3W	5.5W	C0	D50	C90	D50

Dimensions

Lamp head	Ceiling cutout
60mm standard	50mm
85mm adaptor	70mm
141mm adaptor	130mm

Construction

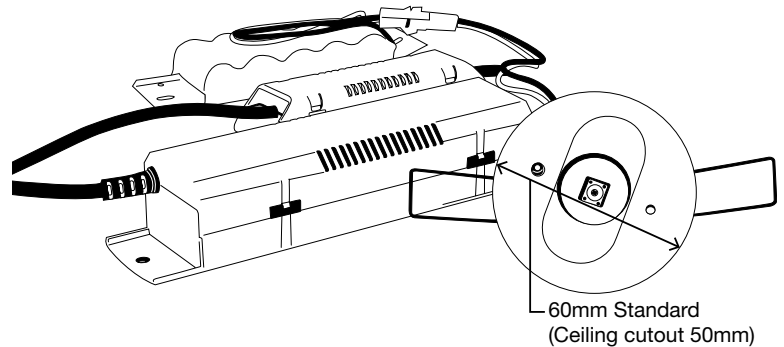
Part	Construction
Lamp head	White polycarbonate

Spare parts

Catalogue no.	Description
03-01220	Battery 5 cell NiCad 6.0V 1.8Ah

Accessories

Catalogue no.	Description
02-SF1LSSTRIM	Single LED round trim stainless steel
02-SF1LBLTRIM	Single LED round trim black
02-SF2LSSTRIM	Dual LED round trim stainless steel
02-SF2LBLTRIM	Dual LED round trim black
02-SF1LSQSSTRIM	Single LED with square adaptor trim stainless steel
02-SF1LSQBLTRIM	Single LED with square adaptor trim black
02-SF2LSQSSTRIM	Dual LED with square adaptor trim stainless steel
02-SF2LSQBLTRIM	Dual LED with square adaptor trim black
02-SFLEDQADAPT	White plastic square adaptor for LED Spitfire
02-SFLEDLGBLKIT	Black adaptor kit
SFLEDVRRW-KIT	Vandal resistant and weather resistant kit to suit the 60mm recessed head



> e-Range equivalent – see page 12
 > p-Range equivalent – see page 38

Spitfire LED

Signature Spitfire LED surface mount non-maintained



Features

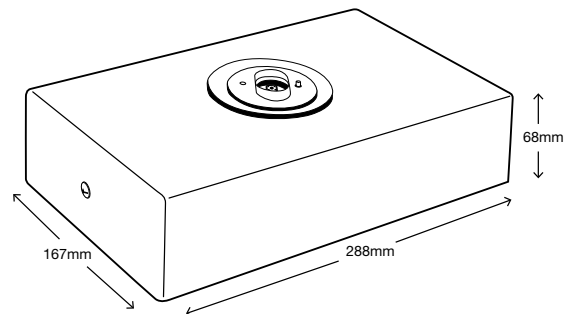
- 3 year warranty
- Superior photometric classification
- LED technology 100,000 hours lamp life
- Single or dual LED option
- High temperature NiCad batteries
- Surface mount
- Vandal resistant version available
- Low maintenance – ideal for factories and warehouses
- Standard or Nexus monitored, either cabled or wireless



Catalogue no.	Description	Weight	Light source	Power consumption	Photometrics			
					Class Classification			
SFB1LED	LED Spitfire single surface mount	2.2kg	2W	5.5W	C0	D40	C90	D40
SFB2LED	LED Spitfire dual surface mount	2.2kg	3W	5.5W	C0	D50	C90	D50

Dimensions

Length	Width	Height
288mm	167mm	68mm



Construction

Part	Construction
Lamp head	White polycarbonate
Surface mount box	White powder coated steel

Spare parts

Catalogue no.	Description
03-01220	Battery 5 cell NiCad 6.0V 1.8Ah

> p-Range equivalent – see page 39

Spitfire LED

Signature Spitfire LED weatherproof non-maintained



Features

- 3 year warranty
- Superior photometric classification
- LED technology 100,000 hours lamp life
- Single or dual LED option
- Polycarbonate IP67 weatherproof enclosure
- High temperature NiCad batteries
- Surface mount
- Low maintenance – ideal for car parks and coolrooms
- Standard or Nexus® monitored, either cabled or wireless



s-Range

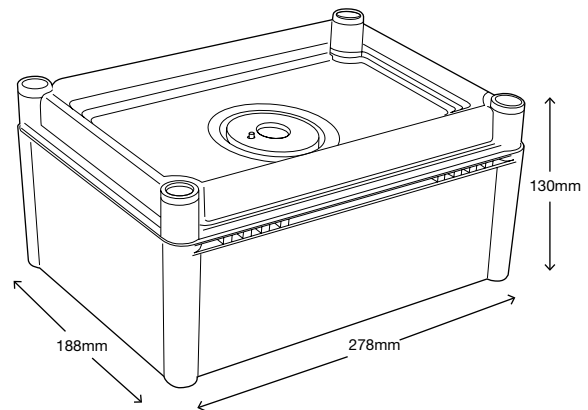
Catalogue no.	Description	Weight	Light source	Power consumption	Photometrics			
					Class Classification			
SFBWP1LED	LED Spitfire single weatherproof surface mount	2.8kg	2W	5.5W	C0	D40	C90	D40
SFBWP2LED	LED Spitfire dual weatherproof surface mount	2.8kg	3W	5.5W	C0	D50	C90	D50

Dimensions

Length	Width	Height
278mm	188mm	130mm

Construction

Part	Construction
Lamp head	White polycarbonate
Weatherproof enclosure	Polycarbonate



Spare parts

Catalogue no.	Description
03-01220	Battery 5 cell NiCad 6.0V 1.8Ah

> p-Range equivalent – see page 40

Exit LED Quickfit

Signature exit LED Quickfit



Features

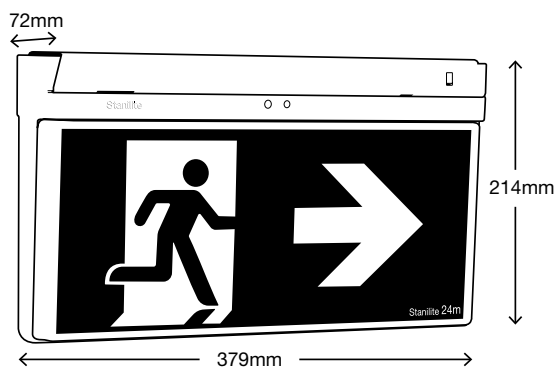
- 3 year warranty
- LED technology 100,000 hours lamp life
- High temperature NiCad batteries
- Quickfit unique steel slide connect bracket for quick installation and easy maintenance
- Includes all pictograph diffuser options for single or double sided installation
- Universal wall/ceiling mounting, can also be rod or wire suspended
- Retrofit capability; fits into any existing Quickfit mounting bracket
- Standard or Nexus monitored, either cabled or wireless



Catalogue no.	Description	Weight	Light source	Power consumption	Photometrics
PQFLEDS	Quickfit LED exit 100K pictograph	1.8kg	Multiple LED 1.2W	4W	Class Classification C0 D3.2 C90 D3.2

Dimensions

Length	Width	Height (incl. bracket)
379mm	72mm	214mm



Construction

Part	Construction
Body	UV/FR ABS body
Diffuser	Opal acrylic
Bracket	White powder coated zinc steel

Spare parts

Catalogue no.	Description
03-YPMA001	Battery 3 cell NiCad 3.6V 1.6Ah
PQFLEDS-LB	Quickfit LED exit 100K pictograph less bracket
PQFLEDS-FR	Quickfit LED exit 100K frame only

Accessories

Catalogue no.	Description
MQFCL	Cantilever bracket
QFWGCM	Wire guard - ceiling
QFWGWM	Wire guard - wall

> p-Range equivalent – see page 41

Exit LED edgelit

Signature exit LED edgelit Quickfit



Features

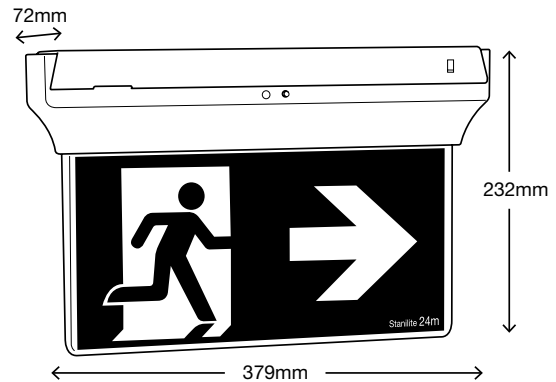
- 3 year warranty
- High emergency classification
- LED technology 100,000 hours lamp life
- Advanced dual rate battery charger with high temperature NiMH batteries
- Architecturally pleasing slim line design
- Quickfit unique steel slide connect bracket for quick installation and easy maintenance
- Includes all pictograph diffuser options
- Universal wall/ceiling mounting, can also be rod or wire suspended
- Retrofit capability; fits into any existing Quickfit mounting bracket
- Standard or Nexus monitored, either cabled or wireless



Catalogue no.	Description	Weight	Light source	Power consumption	Photometrics
PLQLED	LED legend Quickfit pictograph exit	1.8kg	Multiple LED 1.0W	2.32W	Class Classification C0 D3.2 C90 E2

Dimensions

Length	Width	Height (incl. bracket)
379mm	72mm	232mm



Construction

Part	Construction
Body and diffuser	Polycarbonate
Bracket	White powder coated zinc steel

Spare parts

Catalogue no.	Description
03-01213P	Battery 4 cell NiMH 4.8V 1.25Ah

> p-Range equivalent – see page 42

Exit LED edgelit

Signature exit LED edgelit surface mount



Features

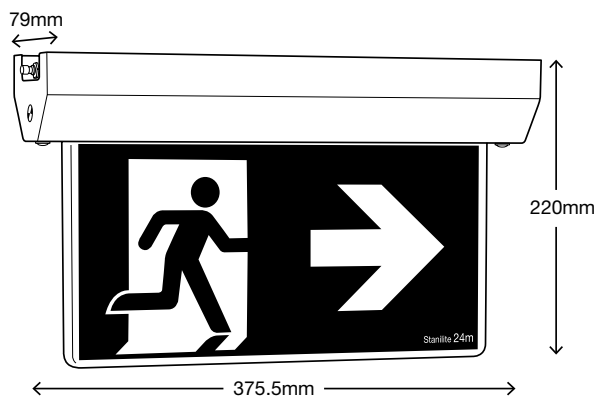
- 3 year warranty
- High emergency classification
- LED technology 100,000 hours lamp life
- High temperature NiMH batteries
- Architecturally pleasing slim line design
- One-box solution, overall light weight and snap n' clip mechanism allows for quick and easy installation
- Surface mounted – suitable for ceilings where a recessed fitting is not feasible
- Includes all pictograph diffuser options
- Suspended, wall and cantilever mounting kit options available
- Standard or Nexus monitored, either cabled or wireless



Catalogue no.	Description	Weight	Light source	Power consumption	Photometrics
PLSLED	LED legend surface mount pictograph edgelit	2.1kg	Multiple LED 1.0W	2.32W	Class Classification C0 D3.2 C90 E2

Dimensions

Length	Width	Height (incl. bracket)
375.5mm	79mm	220mm



Construction

Part	Construction
Visible housing	White powder coated zinc steel
Diffuser	Moulded acrylic
Non-visible housing	Plastic

Spare parts

Catalogue no.	Description
03-01213P	Battery 4 cell NiMH 4.8V 1.25Ah

Accessories

Catalogue no.	Description
PLSLEDCLKIT	Cantilever mounting kit
PLSLEDWMKIT	Wall mounting kit

> p-Range equivalent – see page 43

Exit LED edgelit

Signature exit LED edgelit recessed



Features

- 3 year warranty
- High emergency classification
- LED technology 100,000 hours lamp life
- High temperature NiMH batteries
- Architecturally pleasing slim line design
- One-box solution, overall light weight and snap n' clip mechanism allows for quick and easy installation
- Suits ceiling thickness 1mm – 19mm
- 2m flex and plug included
- Includes all pictograph diffuser options
- Standard or Nexus monitored, either cabled or wireless



Catalogue no.	Description	Weight	Light source	Power consumption	Photometrics			
					Class	Classification		
PLRLED	LED legend recessed pictograph edgelight	1.9kg	Multiple LED 1.0W	2.32W	C0	D3.2	C90	E2

Dimensions

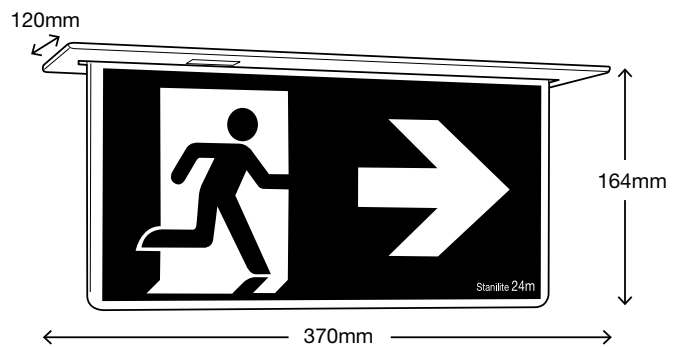
Item	Length	Width
Face plate	370mm	120mm
Ceiling cutout	348mm	97mm

Construction

Part	Construction
Body and diffuser	Plastic

Spare parts

Catalogue no.	Description
03-01213P	Battery 4 cell NiMH 4.8V 1.25Ah



> p-Range equivalent – see page 44

Exit LED edgelit

Signature exit LED edgelit recessed, original style square diffuser



Features

- 3 year warranty
- LED technology 100,000 hours lamp life
- Advanced pulsetime dual rate battery charger with high temperature NiMH batteries
- Slim and elegant
- Surface ceiling mounted
- Easy installation and maintenance
- 2m flex and plug included
- All pictograph diffuser options available (order separately)
- Standard or Nexus monitored, either cabled or wireless



Please note that the diffuser needs to be ordered separately.

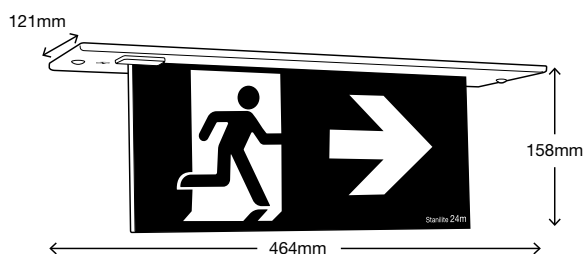


Catalogue no.	Description	Weight		Light source	Power consumption	Photometrics*			
		Body	Diffuser			Class Classification			
PLROLED	LED legend recessed pictograph exit, original style square diffuser	1.5kg	1.6kg	Multiple LED 1.0W	2.32W	C0	D2	C90	E1.6

*Preliminary results

Dimensions

Item	Length	Width
Face plate	464mm	121mm
Ceiling cutout	422mm	93mm



Construction

Part	Construction
Body and gear tray	White powder coated zinc steel
Fascia cover	White powder coated zinc steel
Diffuser	Acrylic

Spare parts

Catalogue no.	Description
03-01213P	Battery 4 cell NiMH 4.8V 1.25Ah

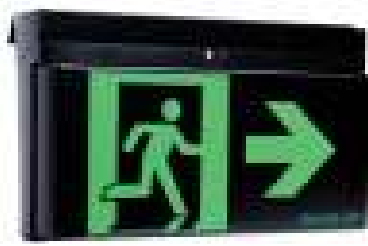
Accessories

Catalogue no.	Description
31-PL1	Diffuser single sided picto
31-PL2	Diffuser single sided <picto
31-PL3	Diffuser single sided picto>
31-PL5	Diffuser double sided picto
31-PL6	Diffuser double sided picto AOW

> p-Range equivalent – see page 45

Exit LED Quickfit

Signature exit LED Quickfit theatre mask



Features

- 3 year warranty
- LED technology 100,000 hours lamp life
- Advanced pulsetime dual rate battery charger with high temperature NiCad batteries
- Quickfit unique steel slide connect bracket for quick installation and easy maintenance
- Universal wall/ceiling mounting, can also be rod or wire suspended
- Retrofit capability; fits into any existing Quickfit mounting bracket
- Standard or Nexus monitored, either cabled or wireless



s-Range

Catalogue no.	Description	Weight	Light source	Power consumption
PQFBLED-1	LED Quickfit theatre mask single sided picto exit	1.8kg	Multiple LED 1.6W	3.6W
PQFBLED-2	LED Quickfit theatre mask single sided <picto exit	1.8kg	Multiple LED 1.6W	3.6W
PQFBLED-3	LED Quickfit theatre mask single sided picto> exit	1.8kg	Multiple LED 1.6W	3.6W
PQFBLED-5	LED Quickfit theatre mask double sided picto exit	1.8kg	Multiple LED 1.6W	3.6W
PQFBLED-6	LED Quickfit theatre mask double sided picto AOW exit	1.8kg	Multiple LED 1.6W	3.6W

Dimensions

Length	Width	Height (incl. bracket)
379mm	72mm	214mm

Construction

Part	Construction
Body and diffuser	Polycarbonate
Bracket	Black powder coated zinc steel



Spare parts

Catalogue no.	Description
03-01218	Battery 4 cell NiCad 4.8V 1.8Ah

> p-Range equivalent – see page 46

Exit LED

Signature exit LED Quickfit vandal resistant



Features

- 3 year warranty
- LED technology 100,000 hours lamp life
- IK09 mechanical impact resistance
- Vermin resistance
- Advanced pulsetime dual rate battery charger with high temperature NiCad batteries
- Unique internal steel slide connect bracket for quick installation and easy maintenance
- Strong steel body and end cap
- Anti-tamper cover screws
- Universal wall/ceiling mounting
- Includes all pictograph diffuser options for single or double sided installation
- Standard or Nexus monitored, either cabled or wireless

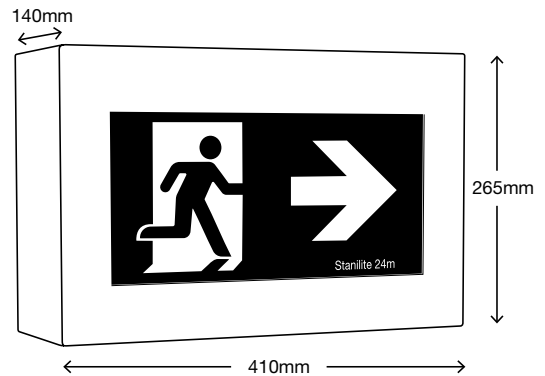


Catalogue no.	Description	Weight	Light source	Power consumption	Photometrics*
VPQLED	LED Quickfit vandal resistant pictograph exit	7.8kg	Multiple LED 1.6W	3.6W	Class Classification C0 E1.25 C90 E1.25

*Preliminary results

Dimensions

Length	Width	Height
410mm	140mm	265mm



Construction

Part	Construction
Body and end cap	Steel body and end cap with anti-tamper cover screws. White powder coated finish
Diffuser	Extra tough UV stabilised polycarbonate

Spare parts

Catalogue no.	Description
03-01218	Battery 4 cell NiCad 4.8W 1.8Ah
PQFLED-FR	LED Quickfit exit frame only

> p-Range equivalent – see page 47

Exit LED Quickfit

Signature exit LED Quickfit weatherproof



Features

- 3 year warranty
- LED technology 100,000 hours lamp life
- IP65 weatherproof enclosure
- Advanced pulsetime dual rate battery charger with high temperature NiCad batteries
- Quickfit unique steel slide connect bracket for quick installation and easy maintenance
- UV stabilised vandal resistant polycarbonate cover or high impact chemical resistant acrylic cover option
- Can be wall or ceiling mounted and optional bracket kits available for strengthened wall and cantilever mounting
- Standard or Nexus monitored, either cabled or wireless



Catalogue no.	Description	Weight	Light source	Power consumption	Photometrics			
					Class Classification			
PWQFLEDP-1	LED Quickfit weatherproof single sided polycarbonate picto exit	3.6kg	Multiple LED 1.6W	3.6W	C0	D3.2	C90	D3.2
PWQFLEDP-2	LED Quickfit weatherproof single sided polycarbonate <picto exit	3.6kg	Multiple LED 1.6W	3.6W	C0	D3.2	C90	D3.2
PWQFLEDP-3	LED Quickfit weatherproof single sided polycarbonate picto> exit	3.6kg	Multiple LED 1.6W	3.6W	C0	D3.2	C90	D3.2
PWQFLEDP-5	LED Quickfit weatherproof double sided polycarbonate picto exit	3.6kg	Multiple LED 1.6W	3.6W	C0	D3.2	C90	D3.2
PWQFLEDP-6	LED Quickfit weatherproof double sided polycarbonate picto AOW exit	3.6kg	Multiple LED 1.6W	3.6W	C0	D3.2	C90	D3.2
PWQFLEDA-1	LED Quickfit weatherproof single sided acrylic picto exit	3.6kg	Multiple LED 1.6W	3.6W	C0	D3.2	C90	D3.2
PWQFLEDA-2	LED Quickfit weatherproof single sided acrylic <picto exit	3.6kg	Multiple LED 1.6W	3.6W	C0	D3.2	C90	D3.2
PWQFLEDA-3	LED Quickfit weatherproof single sided acrylic picto> exit	3.6kg	Multiple LED 1.6W	3.6W	C0	D3.2	C90	D3.2
PWQFLEDA-5	LED Quickfit weatherproof double sided acrylic picto exit	3.6kg	Multiple LED 1.6W	3.6W	C0	D3.2	C90	D3.2
PWQFLEDA-6	LED Quickfit weatherproof double sided acrylic picto AOW exit	3.6kg	Multiple LED 1.6W	3.6W	C0	D3.2	C90	D3.2

Dimensions

Length	Width	Height
466mm	155mm	274mm

Construction

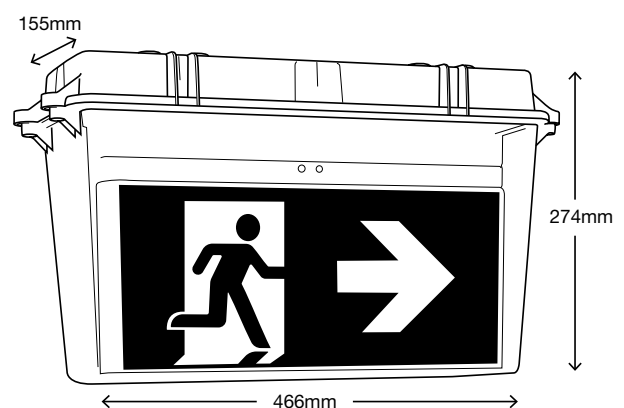
Part	Description
Body	Black UV/FR polycarbonate
Diffuser	Opal acrylic
Bracket	Black powder coated zinc steel
Enclosure cover	UV polycarbonate or high impact acrylic
Enclosure base	Black glass reinforced UV stabilised nylon

Spare parts

Catalogue no.	Description
03-01218	Battery 4 cell NiCad 4.8V 1.8Ah

Accessories

Catalogue no.	Description
03-02061	Ceiling bracket assembly
WQFCLH	Cantilever mounting bracket - heavy duty
WQFCLL	Cantilever mounting bracket - light duty
WQFWM	Wall mount bracket



Exit LED

Signature exit LED jumbo



Features

- 3 year warranty
- High emergency classification
- 50,000 hour rated 8W LED lamp
- High temperature NiCad batteries
- Architecturally pleasing and lightweight design
- Available in all pictograph diffuser options
- Wall mount or ceiling/suspended mount versions available to cover all installation requirements
- Large terminal block (16mm²) for easy wiring
- Viewing distance 40m
- Protective wire guard available – ceiling/suspended mount and wall mount
- Standard or Nexus monitored, either cabled or wireless

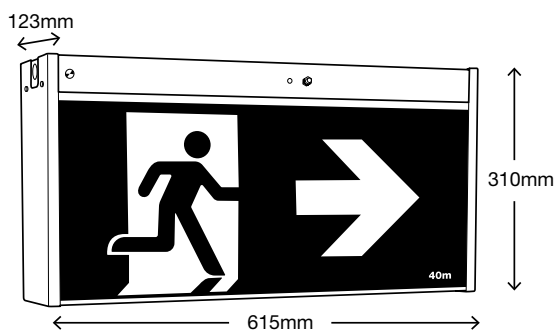


Catalogue no.	Description	Light source	Power consumption	Photometrics*			
				Class Classification			
PEJLEDMWM-1	LED jumbo maintained single sided picto wall mount exit	LED lamp 8W	14W	C0	D4	C90	E2.5
PEJLEDMWM-2	LED jumbo maintained single sided <picto wall mount exit	LED lamp 8W	14W	C0	D4	C90	E2.5
PEJLEDMWM-3	LED jumbo maintained single sided picto> wall mount exit	LED lamp 8W	14W	C0	D4	C90	E2.5
PEJLEDMCM-1	LED jumbo maintained single sided picto ceiling mount exit	LED lamp 8W	14W	C0	D4	C90	E2.5
PEJLEDMCM-2	LED jumbo maintained single sided <picto ceiling mount exit	LED lamp 8W	14W	C0	D4	C90	E2.5
PEJLEDMCM-3	LED jumbo maintained single sided picto> ceiling mount exit	LED lamp 8W	14W	C0	D4	C90	E2.5
PEJLEDMCM-5	LED jumbo maintained double sided picto ceiling mount exit	LED lamp 8W	14W	C0	D4	C90	E2.5
PEJLEDMCM-6	LED jumbo maintained double sided picto AOW ceiling mount exit	LED lamp 8W	14W	C0	D4	C90	E2.5

*Preliminary results

Dimensions

Length	Width	Height
615mm	123mm	310mm



Construction

Part	Construction
Body	White powder coated zinc steel
Diffuser	Opal acrylic

Spare parts

Catalogue no.	Description
15-10022	LED tube 8W 5700K 600mm
03-01015P	Battery 3 cell NiCad 3.6V 4.0Ah

s-Range

Batten LED

Signature batten LED weatherproof with or without motion detect sensor



Features

AC/EM unit:

- 3 year warranty
- 4,500 Lumens on mains AC operation, 350 Lumens in emergency operation
- Weatherproof rating IP65
- IK08 impact rating
- Ceiling, wall mount or suspension mounting (wall mount requires 45 degree mounting brackets)
- High wall mount classification using wall mount brackets
- Long LED life 50,000 hours
- Colour temperature 4,000k
- High colour rendering index CRI >80
- Mains terminal block accepts up to 2.5mm² cable
- High temperature NiCad battery for longer life
- External mounting clips for ease of installation
- Stainless steel diffuser clips
- High efficiency frosted polycarbonate diffuser
- Ambient operating temperature: AC -20°C to +40°C and EM +4°C to +40°C
- Standard or Nexus monitored, either cabled or wireless

Motion detect option:

- Microwave motion detect sensor with settings for delay time, detection range and light value function
- Luminaire is not switched on if there is adequate ambient illumination in the area sensed
- Maximum installation height 5m; variable 0.5 - 5.0m



Catalogue no.	Description	Weight	Light source	Power consumption*		
				Normal	S/A Off	Standby
SBLWAC45L	Batten LED weatherproof AC 4500 lumens	2.9kg	LED	48W	0	N/A
SBLWAC45LMD	Batten LED weatherproof AC 4500 lumens with motion detect sensor	2.9kg	LED	48W	0	6W
SBLWEM45LM	Batten LED weatherproof EM 4500 lumens maintained	3.2kg	LED	49W	1W	N/A
SBLWEM45LMMD	Batten LED weatherproof EM 4500 lumens maintained with motion detect sensor	3.2kg	LED	49W	1W	7W

*Preliminary results

Photometrics*

EM Model	Class Classification			
	C0	D40	C90	D50
Ceiling mount	C0	D40	C90	D50
Wall mount 45°	C0	D80	C90	D80

*Preliminary results

Dimensions

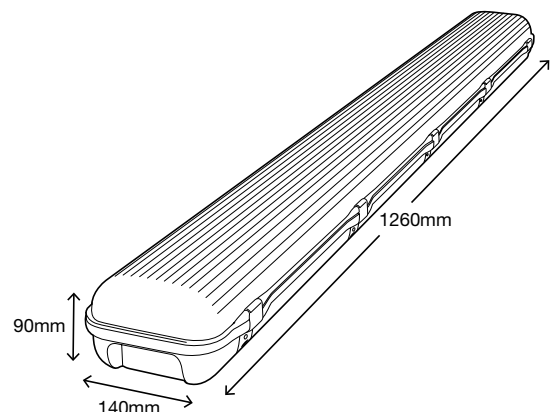
Length	Width	Bare height
1260mm	140mm	90mm

Construction

Part	Construction
Reflector	Powder coated steel
Body and diffuser	Polycarbonate
Clips	Stainless steel

Spare parts

Catalogue no.	Description
03-01016P	Battery 3 cell NiCad 3.6V 4.5Ah



Circular LED

Signature circular LED weatherproof with or without motion detect sensor



s-Range



Features:

AC/EM unit:

- 3 year warranty
- Ceiling or wall mount
- Weatherproof rating IP65
- IK08 impact rating
- Long LED life 50,000 hours with low maintenance suitable for difficult to access areas
- High colour rendering index CRI >80
- Colour temperature 4,000k
- High temperature NiCad batteries
- Standard or Nexus monitored, either cabled or wireless

Motion detect option:

- Microwave motion detect sensor with settings for delay time, detection range and light value function
- Luminaire is not switched on if there is adequate ambient illumination in the area sensed
- Maximum installation height 5m with variable range (0.5 – 5.0m)

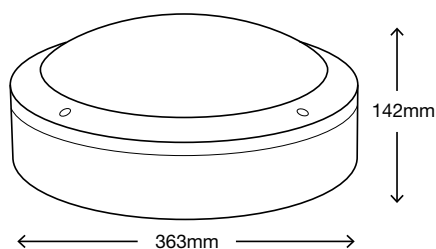


Catalogue no.	Description	Weight	Light source	Power consumption*		
				Normal	S/A Off	Standby
SCLWAC20L	Circular LED weatherproof AC 2000 lumens	3.5kg	LED panel 15W	18.7W	N/A	N/A
SCLWAC20LMD	Circular LED weatherproof AC 2000 lumens with motion detect sensor	3.5kg	LED panel 15W	18.7W	N/A	2.76W
SCLWEM20LS	Circular LED weatherproof EM 2000 lumens sustained	4.5kg	LED panel 15W	21.8W	5.5W	N/A
SCLWEM20LSMD	Circular LED weatherproof EM 2000 lumens sustained with motion detect sensor	4.5kg	LED panel 15W	21.8W	5.5W	6.0W

*Note: Standby for motion detect versions only, AC light dimmed

Photometrics

EM Model	Class Classification			
	C0	D16	C90	D16
Ceiling mount	C0	D16	C90	D16
Wall mount	C0	D3.2	C90	D3.2



Dimensions

Diameter	Height (incl. diffuser)
363mm	142mm

Construction

Part	Construction
Base	Light grey powder coated diecast aluminium
Diffuser	Polycarbonate

Spare parts

Catalogue no.	Description
03-01220	Battery 5 cell NiCad 6.0V 1.8Ah

Flood light LED

Signature flood light LED



Features

- 3 year warranty
- LED technology 100,000 hours lamp life
- Light output typically 600 lumens per lamp head
- Beam angle 120° flood
- Lamp heads can be rotated and tilted to suit particular installation requirements
- Easy to maintain and low maintenance cost
- Wall mounting
- Standard or Nexus monitored, either cabled or wireless



Catalogue no.	Description	Weight	Light source	Power consumption
FL210LED	LED flood light 2x10W 12V	8.5kg	LED 10W	0.040A average / 0.135A maximum

Photometrics

The photometric data below is calculated for a LED Flood Light mounted at 3 metres, 4 metres and 5 metres. The lamp head must be positioned and aimed as shown in the drawings below.

	1x10W LED flood light Tilt 50°			2x10W LED flood light Tilt 50°		
	Mounted 3m AFL	Mounted 4m AFL	Mounted 5m AFL	Mounted 3m AFL	Mounted 4m AFL	Mounted 5m AFL
Area coverage 0.2 lux min	200m ²	265m ²	320m ²	340m ²	420m ²	500m ²
Area coverage 1.0 lux min	85m ²	95m ²	105m ²	123m ²	143m ²	160m ²

Note:

- The outer line represents 0.2 lux and inner line 1.0 lux.
- Gridlines are 1 metre spacing.
- AFL = Above Floor Level.

Dimensions

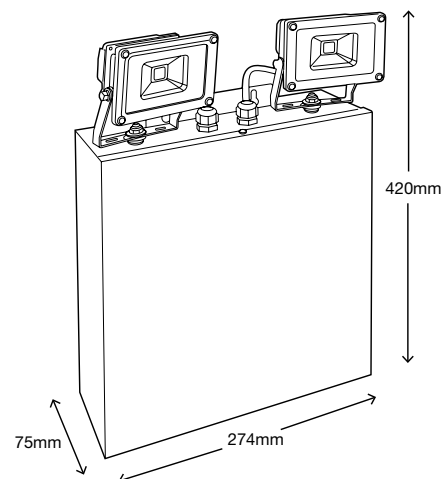
Height	Width	Depth
420mm	274mm	75mm

Construction

Part	Construction
Body and cover	White powder coated zinc steel
Lamp head	Diecast aluminium and steel bracket, white powder coated. Glass lens

Spare parts

Catalogue no.	Description
14-00061	Battery sealed lead acid 12V 7Ah
15-10027	LED lamp 10W 12V



Flood light LED

Signature flood light LED weatherproof



Features

- 3 year warranty
- LED technology 100,000 hours lamp life
- Weatherproof rating IP65
- Light output typically 600 lumens per lamp head
- Beam angle 120° flood
- Lamp heads can be rotated and tilted to suit particular installation requirements
- Easy to maintain and low maintenance cost
- Wall mounting
- UV stabilised enclosure
- Standard or Nexus monitored, either cabled or wireless



Catalogue no.	Description	Weight	Light source	Power consumption
WPFL210LED	LED weatherproof flood light 2x10W 12V	7.0kg	LED 10W	0.040A average / 0.135A maximum

Photometrics

The photometric data below is calculated for a LED Weatherproof Flood Light mounted at 3 metres, 4 metres and 5 metres. The lamp head must be positioned and aimed as shown in the drawings below.

	1x10W LED weatherproof flood light Tilt 50°			2x10W LED weatherproof flood light Tilt 50°		
	Mounted 3m AFL	Mounted 4m AFL	Mounted 5m AFL	Mounted 3m AFL	Mounted 4m AFL	Mounted 5m AFL
Area coverage 0.2 lux min	200m ²	265m ²	320m ²	340m ²	420m ²	500m ²
Area coverage 1.0 lux min	85m ²	95m ²	105m ²	123m ²	143m ²	160m ²

Note:

- The outer line represents 0.2 lux and inner line 1.0 lux.
- Gridlines are 1 metre spacing.
- AFL = Above Floor Level.

Dimensions

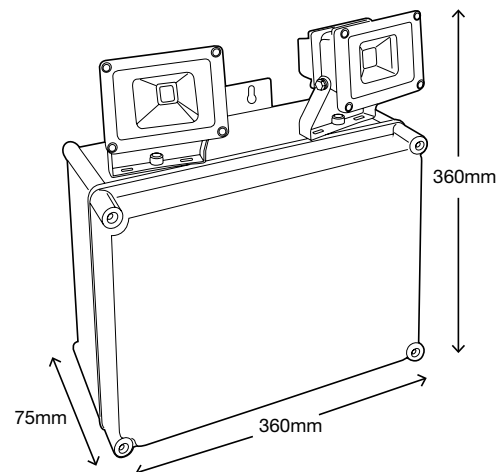
Height	Width	Depth
360mm	360mm	170mm

Construction

Part	Construction
Body and cover	Polycarbonate
Lamp head	Diecast aluminium and steel bracket, white powder coated. Glass lens

Spare parts

Catalogue no.	Description
14-00061	Battery sealed lead acid 12V 7Ah
15-10027	LED lamp 10W 12V





p-Range

Spitfire LED	38
Platinum Spitfire LED recessed non-maintained	38
Platinum Spitfire LED surface mount non-maintained	39
Platinum Spitfire LED weatherproof non-maintained	40
Exit LED Quickfit	41
Platinum exit LED Quickfit	41
Exit LED edgelit	42
Platinum exit LED edgelit Quickfit	42
Platinum exit LED edgelit surface mount	43
Platinum exit LED edgelit recessed	44
Platinum exit LED edgelit recessed, original style square diffuser	45
Exit LED Quickfit	46
Platinum exit LED Quickfit theatre mask	46
Exit LED	47
Platinum exit LED Quickfit vandal resistant	47
Platinum exit LED weatherproof	48

Spitfire LED

Platinum Spitfire LED recessed non-maintained



Features

- 5 year warranty
- Superior photometric classification
- LED technology 100,000 hours plus lamp life
- Single or dual LED option
- Low power consumption and LED light source for reduced operation and maintenance costs
- Advanced technology Lithium Iron Phosphate battery for long life and low maintenance
- Advanced pulsetime battery charging
- Spring fixing design allows for different ceiling thickness (1mm – 20mm)
- White adaptors included to convert standard 60mm lamp head to 85mm diameter and 141mm diameter size
- White square adaptor available for standard lamp head
- Metal trim covers available in black or natural stainless steel finish for standard round and square lamp heads
- Metal trim covers can also be painted to any colour
- Standard or Nexus monitored, either cabled or wireless



Catalogue no.	Description	Weight	Light source	Power consumption*	Photometrics* Dual LED			
					Class Classification			
SF1LEDP	LED Platinum Spitfire single recessed	1.0kg	2W	1.0W	C0	D40	C90	D40
SF2LEDP	LED Platinum Spitfire dual recessed	1.0kg	3W	1.0W	C0	D50	C90	D50

*Preliminary results

Dimensions

Lamp head	Ceiling cutout
60mm standard	50mm
85mm adaptor	70mm
141mm adaptor	130mm

Construction

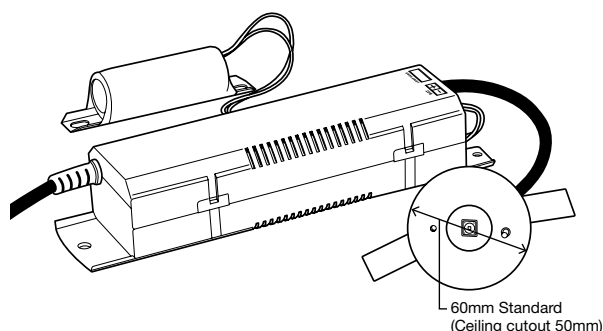
Part	Construction
Lamp head	White polycarbonate

Spare parts

Catalogue no.	Description
03-01301P	Battery LiFePO4 3.2V 3.2Ah (suits single LED)
03-01303P	Battery LiFePO4 3.2V 4.5Ah (suits dual LED)

Accessories

Catalogue no.	Description
02-SF1LSSTRIM	Single LED round trim stainless steel
02-SF1LBLTRIM	Single LED round trim black
02-SF2LSSTRIM	Dual LED round trim stainless steel
02-SF2LBLTRIM	Dual LED round trim black
02-SF1LSQSSTRIM	Single LED with square adaptor trim stainless steel
02-SF1LSQBLTRIM	Single LED with square adaptor trim black
02-SF2LSQSSTRIM	Dual LED with square adaptor trim stainless steel
02-SF2LSQBLTRIM	Dual LED with square adaptor trim black
02-SFLEDSQADAPT	White plastic square adaptor for LED Spitfire
02-SFLEDLGBLKIT	Black adaptor kit
SFLEDVRWR-KIT	Vandal resistant and weather resistant kit to suit the 60mm recessed head



> e-Range equivalent – see page 12
> s-Range equivalent – see page 20

Spitfire LED

Platinum Spitfire LED surface mount non-maintained



Features

- 5 year warranty
- Superior photometric classification
- LED technology 100,000 hours plus lamp life
- Single or dual LED option
- Low power consumption and LED light source for reduced operation and maintenance costs
- Advanced technology Lithium Iron Phosphate battery for long life and low maintenance
- Advanced pulsetime battery charging
- Surface mount
- Vandal resistant version available
- Low maintenance – ideal for factories and warehouses
- Standard or Nexus monitored, either cabled or wireless

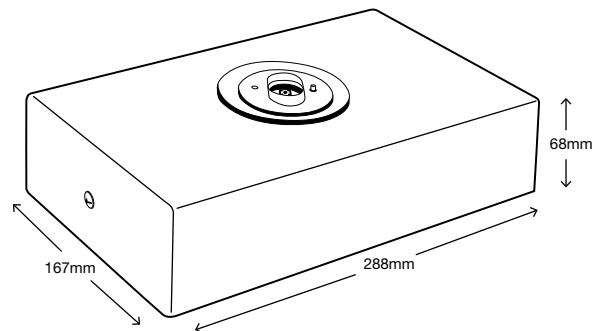


Catalogue no.	Description	Weight	Light source	Power consumption*	Photometrics Dual LED*
SFB1LEDP	LED Platinum Spitfire single surface mount	2.2kg	2W	1.0W	C0 D40 C90 D40
SFB2LEDP	LED Platinum Spitfire dual surface mount	2.2kg	3W	1.0W	C0 D50 C90 D50

*Preliminary results

Dimensions

Length	Width	Height
288mm	167mm	68mm



Construction

Part	Construction
Lamp head	White polycarbonate
Surface mount box	White powder coated steel

Spare parts

Catalogue no.	Description
03-01301P	Battery LiFePO4 3.2V 3.2Ah (suits single LED)
03-01303P	Battery LiFePO4 3.2V 4.5Ah (suits dual LED)

> s-Range equivalent – see page 21

Spitfire LED

Platinum Spitfire LED weatherproof non-maintained



Features

- 5 year warranty
- Superior photometric classification
- LED technology 100,000 hours plus lamp life
- Single or dual LED option
- Low power consumption and LED light source for reduced operation and maintenance costs
- Polycarbonate IP67 weatherproof enclosure
- Advanced technology Lithium Iron Phosphate battery for long life and low maintenance
- Advanced pulsetime battery charging
- Surface mount
- Low maintenance – ideal for car parks and coolrooms
- Not to be used in locations that will be exposed to direct sunlight
- Standard or Nexus monitored, either cabled or wireless

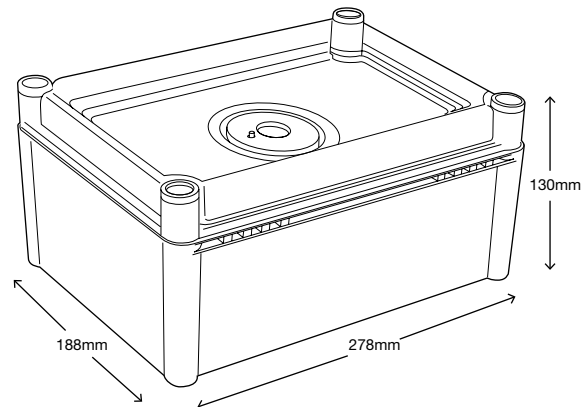


Catalogue no.	Description	Weight	Light source	Power consumption*	Photometrics Dual LED*
SFBWP1LEDP	LED Platinum Spitfire single weatherproof surface mount	2.8kg	2W	1.0W	C0 D40 C90 D40
SFBWP2LEDP	LED Platinum Spitfire dual weatherproof surface mount	2.8kg	3W	1.0W	C0 D50 C90 D50

*Preliminary results

Dimensions

Length	Width	Height
278mm	188mm	130mm



Construction

Part	Construction
Lamp head	White polycarbonate
Weatherproof enclosure	Polycarbonate

Spare parts

Catalogue no.	Description
03-01301P	Battery LiFePO4 3.2V 3.2Ah (suits single LED)
03-01303P	Battery LiFePO4 3.2V 4.5Ah (suits dual LED)

> s-Range equivalent – see page 22

Exit LED Quickfit

Platinum exit LED Quickfit



Features

- 5 year warranty
- LED technology 100,000 hours plus lamp life
- Low power consumption and LED light source for reduced operation and maintenance costs
- Advanced technology Lithium Iron Phosphate battery for long life and low maintenance
- Advanced pulsetime battery charging
- Quickfit unique steel slide connect bracket for quick installation and easy maintenance
- Includes all pictograph diffuser options for single or double sided installation
- Universal wall/ceiling mounting, can also be rod or wire suspended
- Retrofit capability; fits into any existing Quickfit mounting bracket
- Frame only available for upgrade of installed product (less mounting bracket and diffusers) – will accept existing diffusers
- Standard or Nexus monitored, either cabled or wireless



Catalogue no.	Description	Weight	Light source	Power consumption*	Photometrics*
PQFLEDP	LED Platinum Quickfit pictograph exit	1.8kg	Multiple LED 1.6W	3.2W	Class Classification C0 D3.2 C90 D3.2

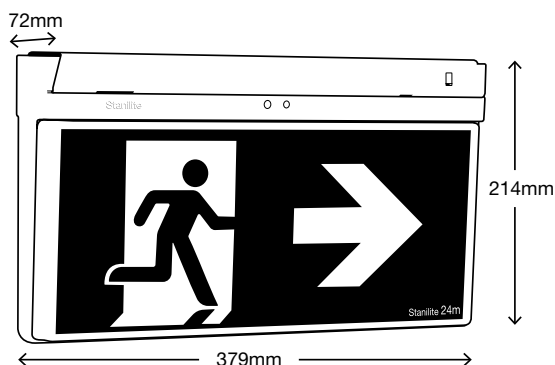
*Preliminary results

Dimensions

Length	Width	Height (incl. bracket)
379mm	72mm	214mm

Construction

Part	Construction
Body	UV/FR ABS body
Diffuser	Opal acrylic
Bracket	White powder coated zinc steel



Spare parts

Catalogue no.	Description
03-01302P	Battery LiFePO4 3.2V 3.2Ah
PQFLEDP-LB	LED Platinum Quickfit pictograph exit less bracket
PQFLEDP-FR	LED Platinum Quickfit exit frame only

Accessories

Catalogue no.	Description
MQFCL	Cantilever bracket
QFWGCM	Wire guard – ceiling
QFWGWM	Wire guard – wall

> s-Range equivalent – see page 23

Exit LED edgelit

Platinum exit LED edgelit Quickfit



Features

- 5 year warranty
- High emergency classification
- LED technology 100,000 hours plus lamp life
- Low power consumption and LED light source for reduced operation and maintenance costs
- Advanced technology Lithium Iron Phosphate battery for long life and low maintenance
- Advanced pulsetime battery charging
- Architecturally pleasing slim line design
- Quickfit unique steel slide connect bracket for quick installation and easy maintenance
- Includes all pictograph diffuser options
- Universal wall/ceiling mounting, can also be rod or wire suspended
- Retrofit capability; fits into any existing Quickfit mounting bracket
- Standard or Nexus monitored, either cabled or wireless



Catalogue no.	Description	Weight	Light source	Power consumption*	Photometrics*
PLQLEDP	LED Platinum legend quickfit pictograph exit	1.8kg	Multiple LED 0.7W	2.4W	Class Classification C0 D3.2 C90 E2

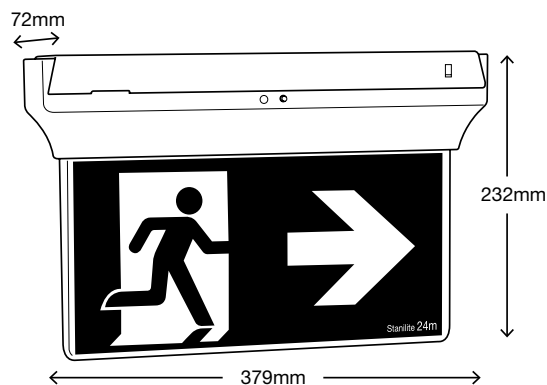
*Preliminary results

Dimensions

Length	Width	Height (incl. bracket)
379mm	72mm	232mm

Construction

Part	Construction
Body and diffuser	Polycarbonate
Bracket	White powder coated zinc steel



Spare parts

Catalogue no.	Description
03-01305P	Battery LiFePO4 3.2V 1.5Ah

> s-Range equivalent – see page 24

Exit LED edgelit

Platinum exit LED edgelit surface mount



Features

- 5 year warranty
- High emergency classification
- LED technology 100,000 hours plus lamp life
- Low power consumption and LED light source for reduced operation and maintenance costs
- Advanced technology Lithium Iron Phosphate battery for long life and low maintenance
- Advanced pulsetime battery charging
- Architecturally pleasing slim line design
- One-box solution, overall light weight and snap n' clip mechanism allows for quick and easy installation
- Surface mounted – suitable for ceilings where a recessed fitting is not feasible
- Includes all pictograph diffuser options
- Suspended, wall and cantilever mounting kit options available
- Standard or Nexus monitored, either cabled or wireless



Catalogue no.	Description	Weight	Light source	Power consumption*	Photometrics*
PLSLEDP	LED Platinum legend surface mount pictograph edgelight	2.1kg	Multiple LED 0.7W	2.4W	Class Classification C0 D3.2 C90 E2

*Preliminary results

Dimensions

Length	Width	Height (incl. bracket)
375.5mm	79mm	220mm

Construction

Part	Construction
Visible housing	White powder coated zinc steel
Diffuser	Moulded acrylic
Non-visible housing	Plastic



Spare parts

Catalogue no.	Description
03-01304P	Battery LiFePO4 3.2V 1.5Ah

Accessories

Catalogue no.	Description
PLSLEDCLKIT	Cantilever mounting kit
PLSLEDWMKIT	Wall mounting kit

> s-Range equivalent – see page 25

Exit LED edgelit

Platinum exit LED edgelit recessed



Features

- 5 year warranty
- High emergency classification
- LED technology 100,000 hours plus lamp life
- Low power consumption and LED light source for reduced operation and maintenance costs
- Advanced technology Lithium Iron Phosphate battery for long life and low maintenance
- Advanced pulsetime battery charging
- Architecturally pleasing slim line design
- One-box solution, overall light weight, snap n' clip mechanism allows for quick and easy installation
- Suits ceiling thickness 1mm – 19mm
- 2m flex and plug included
- Includes all pictograph diffuser options
- Adaptor plate available for use when upgrading older Legend exit signs – see accessories
- Standard or Nexus monitored, either cabled or wireless



Catalogue no.	Description	Weight	Light source	Power consumption*	Photometrics*
PLRLEDP	LED Platinum legend recessed pictograph edgelit	1.9kg	Multiple LED 0.7W	2.4W	C0 D3.2 C90 E2

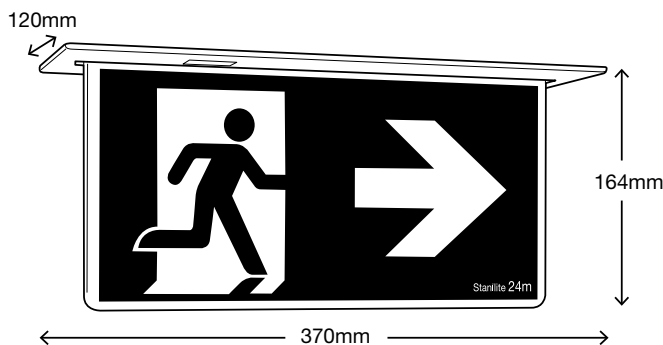
*Preliminary results

Dimensions

Item	Length	Width
Face plate	370mm	120mm
Ceiling cutout	348mm	97mm

Construction

Part	Construction
Body and diffuser	Plastic



Spare parts

Catalogue no.	Description
03-01304P	Battery LiFePO4 3.2V 1.5Ah

Accessories

Catalogue no.	Description
PLRLEDADAPTOR	Cover plate for retrofitting

> s-Range equivalent – see page 26

Exit LED edgelit

Platinum exit LED edgelit recessed, original style square diffuser



Features

- 5 year warranty
- LED technology 100,000 hours plus lamp life
- Low power consumption and LED light source for reduced operation and maintenance costs
- Advanced technology Lithium Iron Phosphate battery for long life and low maintenance
- Advanced pulsetime battery charging
- Slim and elegant
- Surface ceiling mounted
- Easy installation and maintenance
- 2m flex and plug included
- All pictograph diffuser options available – see accessories (order separately)
- Standard or Nexus monitored, either cabled or wireless

! Please note that the diffuser needs to be ordered separately.



Catalogue no.	Description	Weight		Light source	Power consumption*	Photometrics*			
		Body	Diffuser			Class Classification			
PLROLEDP	LED Platinum legend recessed pictograph exit, original style square diffuser	1.5kg	1.6kg	Multiple LED 0.7W	2.4W	C0	D2	C90	E1.6

*Preliminary results

Dimensions

Item	Length	Width
Face plate	464mm	121mm
Ceiling cutout	422mm	93mm

Construction

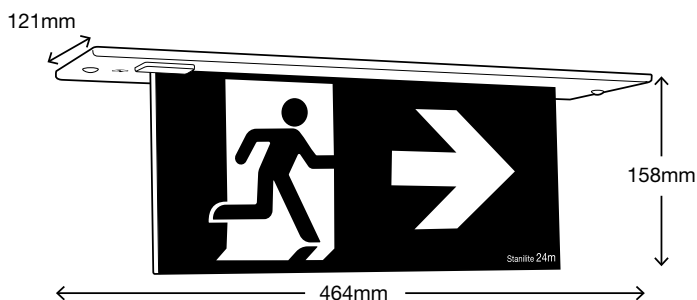
Part	Construction
Body and gear tray	White powder coated zinc steel
Fascia cover	White powder coated zinc steel
Diffuser	Acrylic

Spare parts

Catalogue no.	Description
03-01304P	Battery LiFePO4 3.2V 1.5Ah

Accessories

Catalogue no.	Description
31-PL1	Diffuser single sided picto
31-PL2	Diffuser single sided <picto
31-PL3	Diffuser single sided picto>
31-PL5	Diffuser double sided picto
31-PL6	Diffuser double sided picto AOW



> s-Range equivalent – see page 27

Exit LED Quickfit

Platinum exit LED Quickfit theatre mask



Features

- 5 year warranty
- LED technology 100,000 hours plus lamp life
- Low power consumption and LED light source for reduced operation and maintenance costs
- Advanced technology Lithium Iron Phosphate battery for long life and low maintenance
- Advanced pulsetime battery charging
- Quickfit unique steel slide connect bracket for quick installation and easy maintenance
- Universal wall/ceiling mounting, can also be rod or wire suspended
- Retrofit capability; fits into any existing Quickfit mounting bracket



Catalogue no.	Description	Weight	Light source	Power consumption*
PQFBLEDP-1	LED Platinum Quickfit theatre mask single sided picto exit	1.8kg	Multiple LED 1.6W	3.2W
PQFBLEDP-2	LED Platinum Quickfit theatre mask single sided <picto exit	1.8kg	Multiple LED 1.6W	3.2W
PQFBLEDP-3	LED Platinum Quickfit theatre mask single sided picto> exit	1.8kg	Multiple LED 1.6W	3.2W
PQFBLEDP-5	LED Platinum Quickfit theatre mask double sided picto exit	1.8kg	Multiple LED 1.6W	3.2W
PQFBLEDP-6	LED Platinum Quickfit theatre mask double sided picto AOW exit	1.8kg	Multiple LED 1.6W	3.2W

*Preliminary results

Dimensions

Length	Width	Height (incl. bracket)
379mm	72mm	214mm

Construction

Part	Construction
Body	UV/FR ABS body
Diffuser	Acrylic
Bracket	Black powder coated zinc steel



Spare parts

Catalogue no.	Description
03-01302P	Battery LiFePO4 3.2V 3.2Ah

Accessories

Catalogue no.	Description
MQFCL	Cantilever bracket
QFWGCM	Wire guard - ceiling
QFWGWM	Wire guard - wall

> s-Range equivalent – see page 28

Exit LED

Platinum exit LED Quickfit vandal resistant



Features

- 5 year warranty
- LED technology 100,000 hours plus lamp life
- Low power consumption and LED light source for reduced operation and maintenance costs
- IK09 mechanical impact resistance
- Vermin resistance
- Advanced technology Lithium Iron Phosphate battery for long life and low maintenance
- Advanced pulsetime battery charging
- Unique internal steel slide connect bracket for quick installation and easy maintenance
- Strong steel body and end cap
- Anti-tamper cover screws
- Universal wall/ceiling mounting
- Includes all pictograph diffuser options for single or double sided installation
- Standard or Nexus monitored, either cabled or wireless

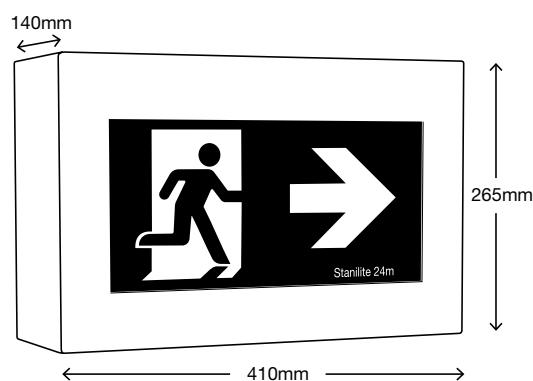


Catalogue no.	Description	Weight	Light source	Power consumption*	Photometrics*
VPQLEDP	LED Platinum Quickfit vandal resistant pictograph exit	7.8kg	Multiple LED 1.6W	3.2W	Class Classification C0 E1.25 C90 E1.25

*Preliminary results

Dimensions

Length	Width	Height
410mm	140mm	265mm



Construction

Part	Construction
Body and end cap	Steel body and end cap with anti-tamper cover screws, white powder coated finish
Diffuser	Extra tough UV stabilised polycarbonate

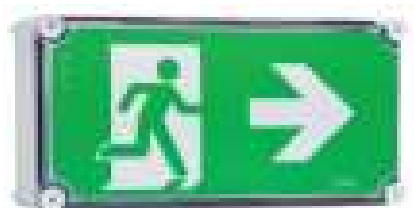
Spare parts

Catalogue no.	Description
03-01302P	Battery LiFePO4 3.2V 3.2Ah
PQFLEDP-FR	LED Platinum Quickfit exit frame only

> s-Range equivalent – see page 29

Exit LED

Platinum exit LED weatherproof



Features

- 5 year warranty
- LED technology 100,000 hours plus lamp life
- Low power consumption and LED light source for reduced operation and maintenance costs
- IP65 weatherproof enclosure
- Advanced technology Lithium Iron Phosphate battery for long life and low maintenance
- Advanced pulsetime battery charging
- UV stabilised vandal resistant (IK08) polycarbonate cover
- Surface mount
- Removable gear tray for easy installation and maintenance
- Not to be used in locations that will be exposed to direct sunlight
- Standard or Nexus monitored, either cabled or wireless



Catalogue no.	Description	Weight	Light source	Power consumption*	Photometrics*			
					Class Classification			
PWEXLEDP-1	LED Platinum weatherproof picto exit	2.0kg	Multiple LED 1.6W	3.2W	C0	D1.25	C90	C1.25
PWEXLEDP-2	LED Platinum weatherproof <picto exit	2.0kg	Multiple LED 1.6W	3.2W	C0	D1.25	C90	C1.25
PWEXLEDP-3	LED Platinum weatherproof picto> exit	2.0kg	Multiple LED 1.6W	3.2W	C0	D1.25	C90	C1.25

*Preliminary results

Dimensions

Length	Width	Height
380mm	130mm	190mm



Construction

Part	Construction
Enclosure	Polycarbonate
Gear tray	White powder coated zinc steel

Spare parts

Catalogue no.	Description
03-01301P	Battery LiFePO4 3.2V 3.2Ah

Accessories

Catalogue no.	Description
WPEXWGWM	Wire guard

Emergency lighting spacing table

Australian Standard AS2293.1-2005

Australian Standard AS2293.1-2005 specifies that the light level at the floor, under emergency lighting conditions, must be a minimum of 0.2 lux. The illuminance level at the floor will be dependent upon both the light output of the fitting and the height at which the fitting is mounted above the floor.

Emergency light fittings are tested and based on performance, assigned classifications in a number of classes (Class A to Class E). Fittings with a single light source are generally classified in two axis, C0 and C90. Fittings with two light sources such as a 2x36W batten are generally assigned classifications in three axis – C0, C90 and C180 as the light distribution is not symmetrical.

The spacing tables in Australian Standard AS2293.1-2005 can be used to determine the maximum spacing between fittings in each of the several axis, dependent upon the classification of the fitting.

Classification	Mounting height, metres, above floor															
	2.1	2.4	2.7	3.0	3.3	3.6	4.0	4.5	5.0	6.0	7.0	8.0	9.0	10.0	15.0	20.0
B16	6.4	6.8	7.2	7.6	7.9	8.2	8.6	9.0	9.3	9.6	9.7	9.6	9.1	8.2		
B20	6.7	7.2	7.7	8.1	8.4	8.8	9.2	9.6	10.0	10.5	10.8	10.9	10.7	10.2		
B25	7.1	7.6	8.1	8.5	9.0	9.3	9.8	10.3	10.7	11.4	11.9	12.1	12.2	12.0	5.7	
B32	7.5	8.1	8.6	9.1	9.5	10.0	10.5	11.1	11.6	12.4	13.1	13.5	13.7	13.8	10.6	
B40	7.8	8.5	9.0	9.6	10.1	10.5	11.1	11.7	12.3	13.3	14.1	14.7	15.1	15.3	13.8	
B50	8.2	8.9	9.5	10.1	10.6	11.1	11.7	12.4	13.1	14.2	15.1	15.9	16.4	16.9	16.6	11.1
B63	8.6	9.3	10.0	10.6	11.2	11.7	12.4	13.2	13.9	15.2	16.2	17.1	17.8	18.4	19.2	16.2
B80	9.1	9.8	10.5	11.2	11.8	12.4	13.1	14.0	14.7	16.2	17.4	18.4	19.3	20.0	21.8	20.4
B100	9.5	10.3	11.0	11.7	12.4	13.0	13.8	14.7	15.6	17.1	18.4	19.6	20.6	21.5	24.1	23.9
B125	9.9	10.7	11.5	12.3	13.0	13.6	14.5	15.5	16.4	18.0	19.5	20.8	22.0	23.0	26.3	27.2
C16	8.3	8.8	9.3	9.7	10.0	10.3	10.7	11.0	11.3	11.6	11.6	11.3	10.7	9.6		
C20	8.9	9.4	9.9	10.3	10.7	11.1	11.5	12.0	12.3	12.8	13.0	13.0	12.7	12.0		
C25	9.4	10.0	10.5	11.0	11.5	11.9	12.4	12.9	13.4	14.0	14.4	14.6	14.5	14.2	6.6	
C32	10.0	10.7	11.3	11.8	12.3	12.8	13.4	14.0	14.5	15.4	16.0	16.4	16.5	16.5	12.3	
C40	10.6	11.3	12.0	12.6	13.1	13.6	14.3	15.0	15.6	16.6	17.4	17.9	18.3	18.5	16.2	
C50	11.3	12.0	12.7	13.4	14.0	14.5	15.2	16.0	16.7	17.9	18.8	19.6	20.1	20.4	19.6	12.9
C63	11.9	12.8	13.5	14.2	14.9	15.5	16.2	17.1	17.9	19.2	20.3	21.2	22.0	22.5	22.9	18.9
C80	12.7	13.5	14.4	15.1	15.8	16.5	17.3	18.3	19.1	20.7	22.0	23.0	23.9	24.7	26.1	24.0
C100	13.4	14.3	15.2	16.0	16.8	17.5	18.4	19.4	20.4	22.1	23.5	24.8	25.8	26.7	29.1	28.4
C125	14.1	15.1	16.1	16.9	17.7	18.5	19.5	20.6	21.7	23.5	25.1	26.5	27.7	28.8	32.1	32.5
D16	12.1	12.6	13.0	13.3	13.6	13.9	14.1	14.6	14.6	14.6	14.4	13.8	12.9	11.5		
D20	13.1	13.6	14.1	14.5	14.8	15.1	15.5	15.8	16.1	16.4	16.3	16.0	15.4	14.5		
D25	14.2	14.7	15.3	15.7	16.1	16.5	16.9	17.3	17.7	18.1	18.3	18.2	17.9	17.3	7.7	
D32	15.4	16.1	16.7	17.2	17.6	18.0	18.5	19.1	19.5	20.2	20.6	20.7	20.6	20.3	14.6	
D40	16.7	17.4	18.0	18.6	19.1	19.6	20.1	20.8	21.3	22.1	22.7	23.0	23.1	23.1	19.4	
D50	18.0	18.7	19.4	20.1	20.7	21.2	21.8	22.5	23.2	24.2	24.9	25.4	25.7	25.9	23.7	15.2
D63	19.4	20.3	21.1	21.8	22.4	23.0	23.7	24.5	25.2	26.4	27.4	28.1	28.6	28.9	28.0	22.5
D80	21.1	22.0	22.8	23.6	24.3	25.0	25.8	26.7	27.5	28.9	30.0	30.9	31.6	32.1	32.4	28.9
D100	22.7	23.7	24.6	25.5	26.3	27.0	27.9	28.9	29.8	31.4	32.7	33.7	34.6	35.3	36.5	34.5
D125	24.5	25.6	27.5	28.3	29.1	30.1	31.2	32.2	34.0	35.5	36.7	37.8	38.6	40.8	40.0	

Maximum spacing between fittings, metres

Note: Refer to the Australian Standard AS2293.1-2005 for complete data.

For your notes

A series of horizontal dotted lines for taking notes.

For your notes

A series of horizontal dotted lines for taking notes.

For your notes

A series of horizontal dotted lines for taking notes.

Contact us

ABB Australia Pty Limited

For enquiries

ABB contact centre: 1800 222 435

E-mail: AU-ABB-Stanilite@abb.com

www.stanilite.com

Note: We reserve the right to make technical changes or modify the contents of this document without prior notice. With regard to purchase orders, the agreed particulars shall prevail. ABB does not accept any responsibility whatsoever for potential errors or possible lack of information in this document.

We reserve all rights in this document and in the subject matter and illustrations contained therein. Any reproduction, disclosure to third parties or utilisation of its contents – in whole or in parts – is forbidden without prior written consent of ABB.

Copyright © 2016 ABB
All rights reserved

© Copyright ABB: 9AKK106930A0574

