



MODERN & HERITAGE
LIGHTING COLLECTION

MADE IN INDIA



HERITAGE

content

Pole Lights	5
Outdoor Lighting Series	39
Post Top Lights/	51
Decorative Street Lights/	53
Wall Lights	55
Bollard Lights	57
Lighting Poles	60
Pole Brackets	69
Installation Schematics	125
Colour Range	133
Index	134



MODERN content

Pole Lights	77
Outdoor Lighting Series	105
Post Top Lights	106
Street Lights	108
Wall Lights	110
Ceiling Lights	111
Step Lights	112
Bollard Lights	114
Outdoor Spotlights	118
Lighting Poles	120
Pole Brackets	122
Installation Schematics	125
Color Range	133
Index	135

HOMDEC[®]
Lighting

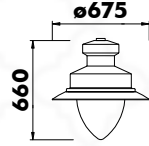


HERITAGE
LIGHTING COLLECTION

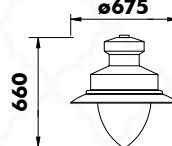
HL-2819



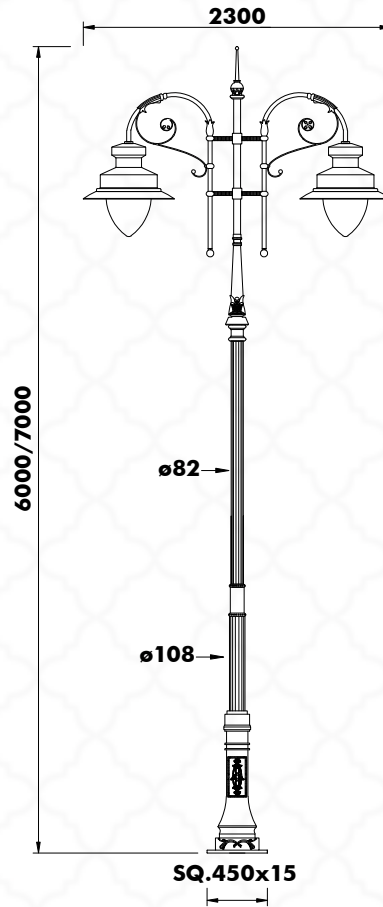
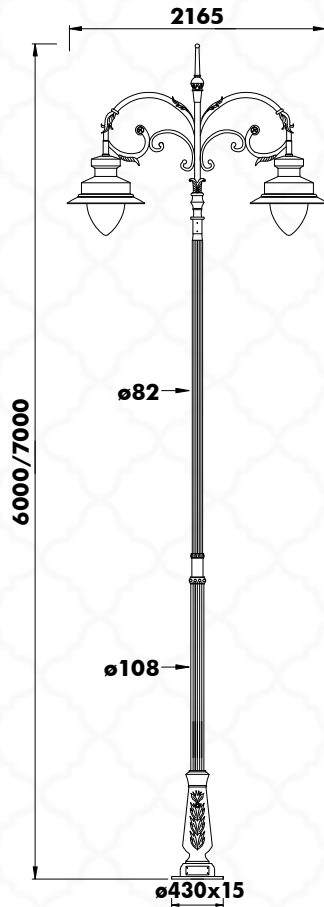
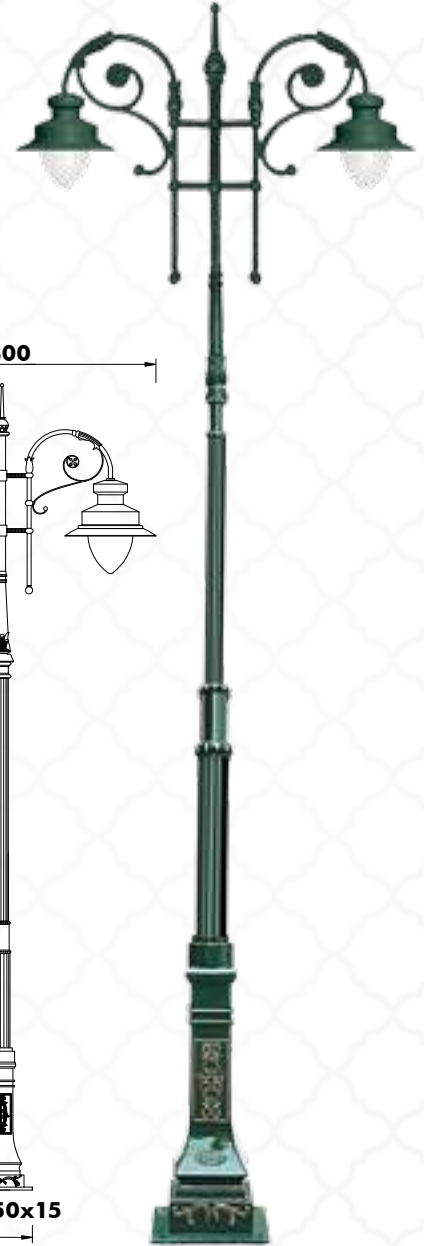
HL-2318



HL-2318



HL-2821

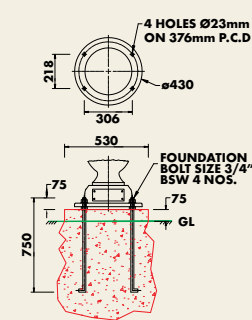


DESCRIPTION

Grooved mild steel pole, mild steel bracket, cast iron & aluminium embellishments, aluminium lighting fixture, polycarbonate diffuser, stainless steel screws, corrosion & UV ray resistant coating

LED WATTAGE

2X(54/75/83/110w)



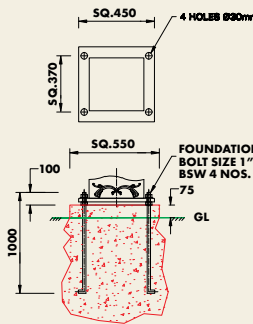
Installation Schematics

DESCRIPTION

Grooved mild steel pole, mild steel bracket, cast iron & aluminium embellishments, aluminium lighting fixture, polycarbonate diffuser, stainless steel screws, corrosion & UV ray resistant coating

LED WATTAGE

2X(54/75/83/110w)



Installation Schematics

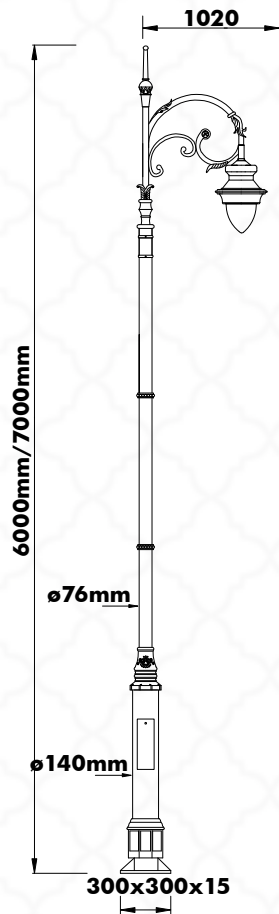
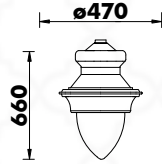
LUMINAIRE IP RATING (OPTICAL AREA) - IP 66



HL-2808



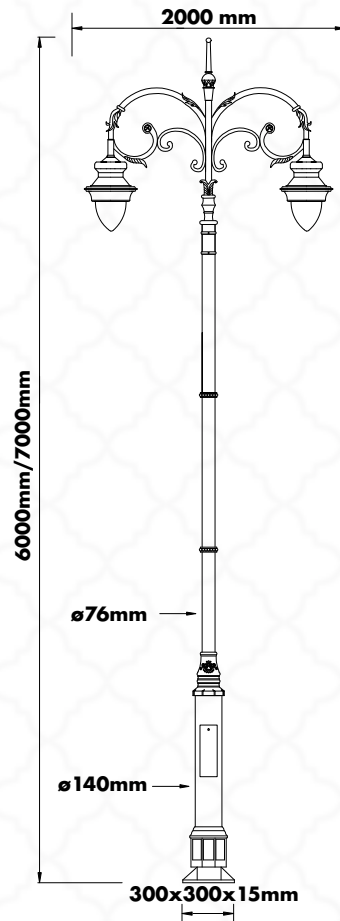
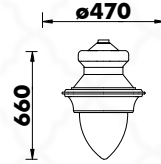
HL-2389



HL-2807



HL-2389

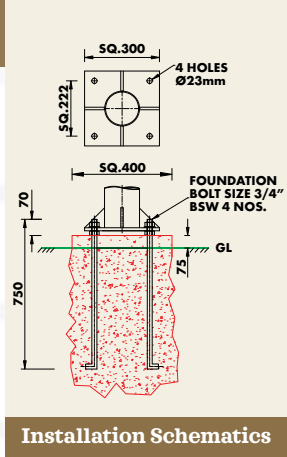


DESCRIPTION

Mild steel pole, mild steel bracket, cast iron & aluminium embellishments, spun aluminium lighting fixture, polycarbonate diffuser, stainless steel screws, corrosion & UV ray resistant coating

LED WATTAGE

54/75/83 w



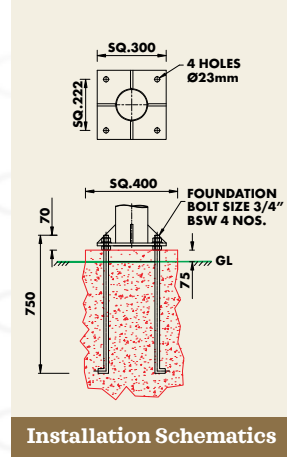
Installation Schematics

DESCRIPTION

Mild steel pole, mild steel bracket, cast iron & aluminium embellishments, spun aluminium lighting fixture, polycarbonate diffuser, stainless steel screws, corrosion & UV ray resistant coating

LED WATTAGE

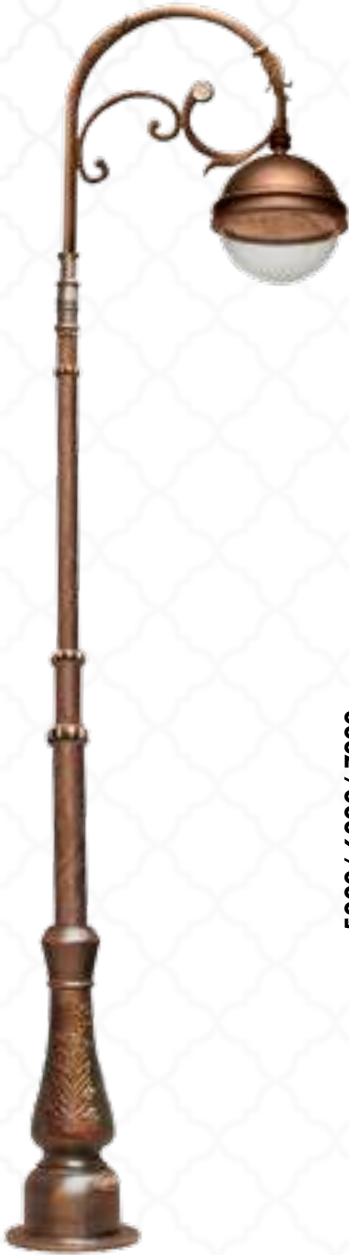
2X(54/75/83 w)



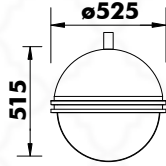
Installation Schematics

LUMINAIRE IP RATING (OPTICAL AREA) - IP 66

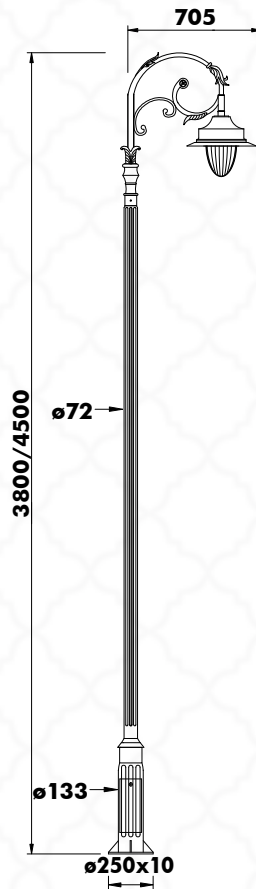
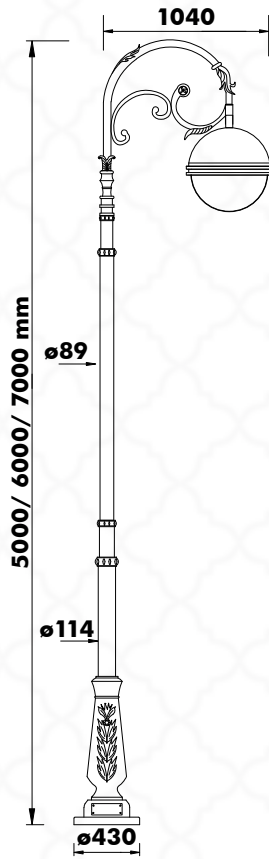
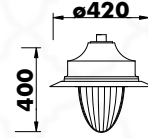
HL-2811



HL-2329



HL-2358



HL-2990

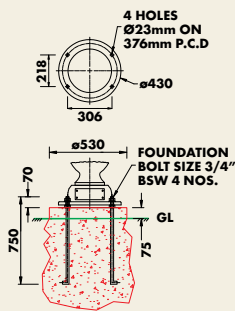


DESCRIPTION

Mild steel pole, mild steel bracket, cast iron & aluminium embellishments, cast & spun aluminium lighting fixture, acrylic diffuser, stainless steel screws, corrosion & UV ray resistant coating

LED WATTAGE

54/75/83/110w



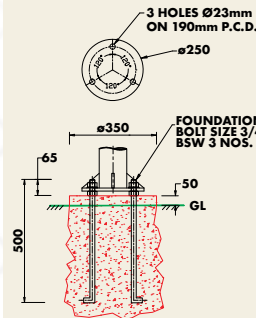
Installation Schematics

DESCRIPTION

Grooved mild steel pole, mild steel bracket, cast iron & aluminium embellishments, spun aluminium lighting fixture, acrylic diffuser, stainless steel screws, corrosion & UV ray resistant coating

LED WATTAGE

24/36w



Installation Schematics

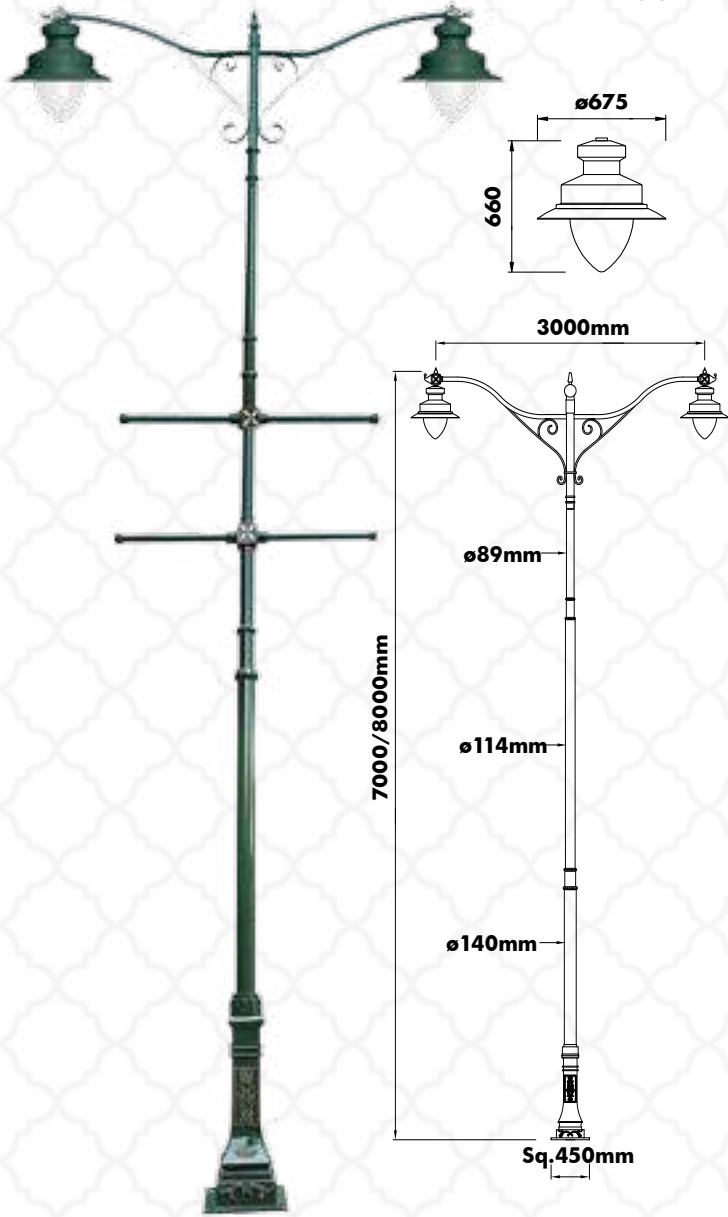
LUMINAIRE IP RATING (OPTICAL AREA) - IP 66



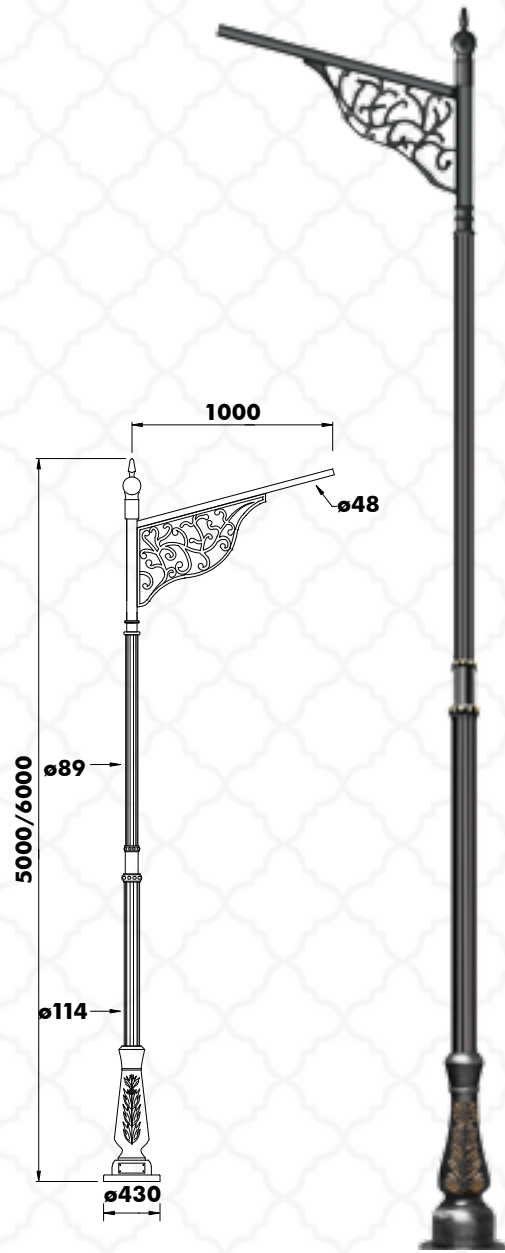
HL - 2962



HL - 2318



HL - 2844



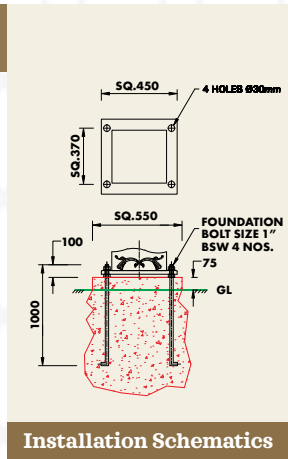
DESCRIPTION

Mild steel pole with cast iron pedestal and embellishments, mild steel bracket with cast iron embellishments, spun aluminium lighting fixture, polycarbonate diffuser, stainless steel screws, corrosion and UV ray resistant coating.

LED WATTAGE

2X(54/75/83/110w)

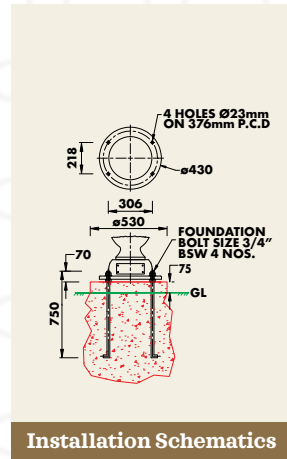
ALL SIZES ARE IN MM



Installation Schematics

DESCRIPTION

Grooved mild steel pole, cast iron pedestal, mild steel bracket with cast iron embellishment, corrosion & U.V. ray resistant coating.



Installation Schematics

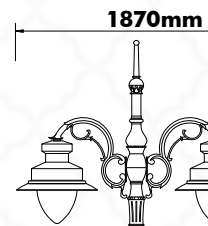
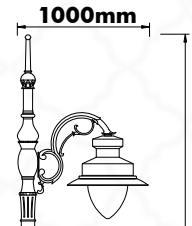
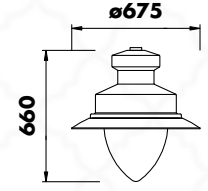
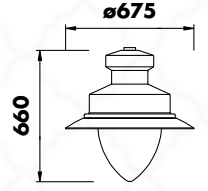
LUMINAIRE IP RATING (OPTICAL AREA) - IP 66

HL - 2810



HL - 2318

HL - 2318



6400mm

6400mm

370x370x23mm

370x370x23mm



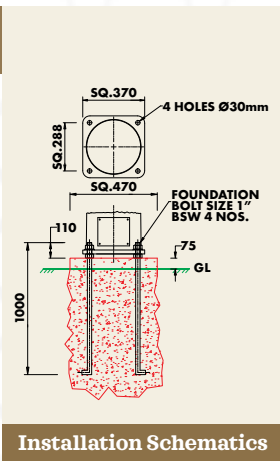
HL - 2860

DESCRIPTION

Cast aluminium/cast iron pole, cast aluminium bracket, spun aluminium lighting fixture, polycarbonate diffuser, stainless steel screws, corrosion and UV ray resistant coating.

LED WATTAGE

54/75/83/110w



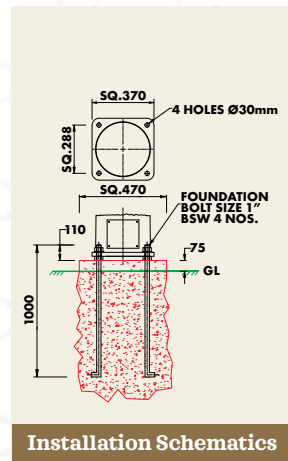
Installation Schematics

DESCRIPTION

Cast aluminium/cast iron pole, cast aluminium bracket, spun aluminium lighting fixture, polycarbonate diffusers, stainless steel screws, corrosion and UV ray resistant coating.

LED WATTAGE

2X(54/75/83/110w)

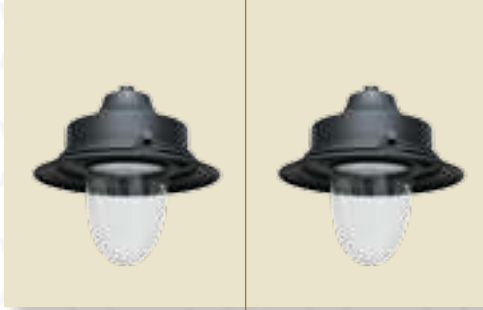


Installation Schematics

LUMINAIRE IP RATING (OPTICAL AREA) - IP 66



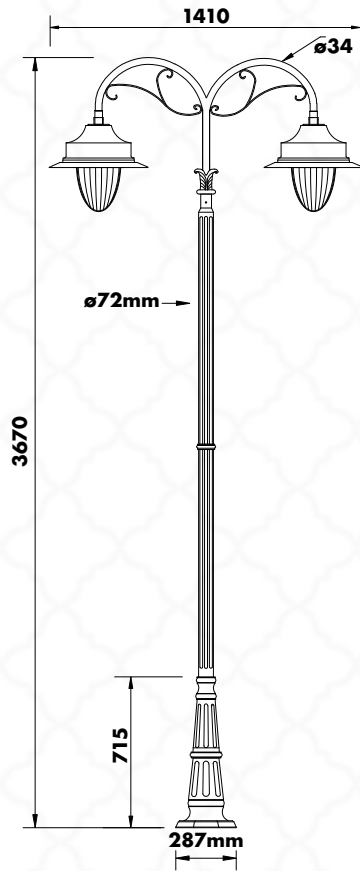
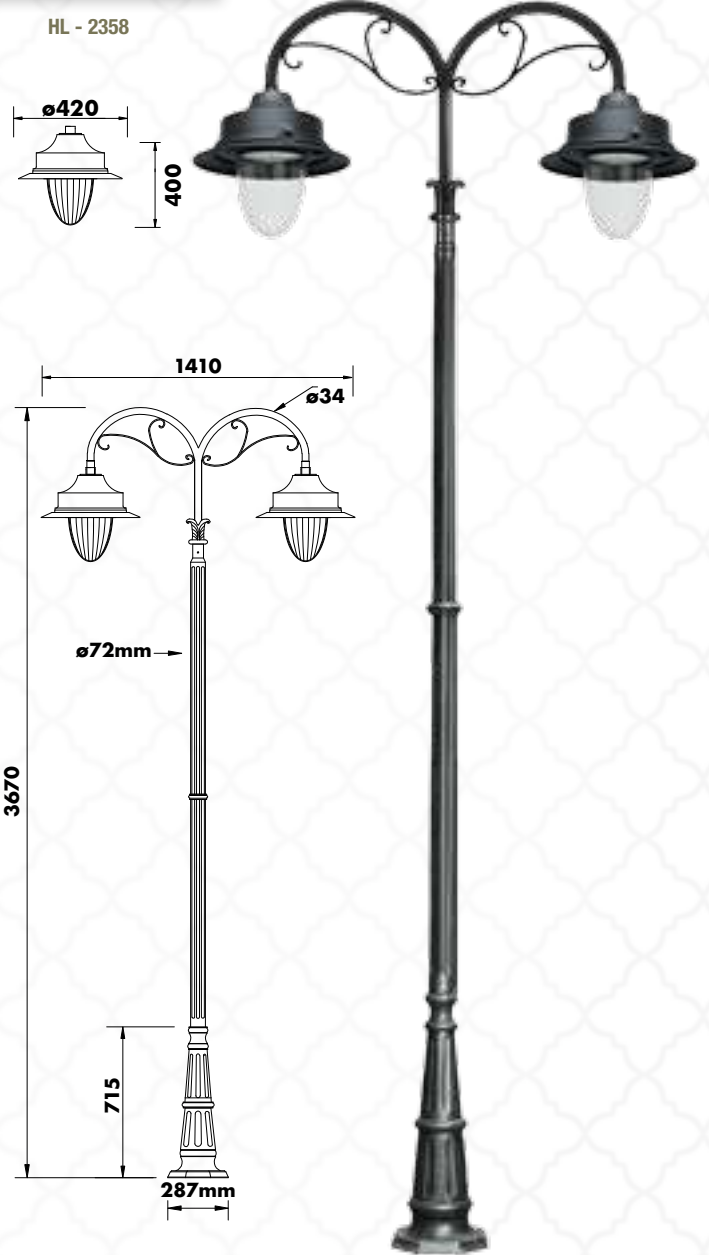
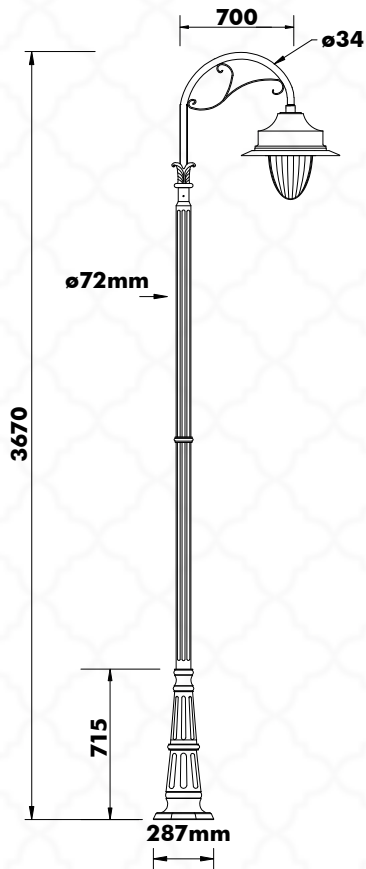
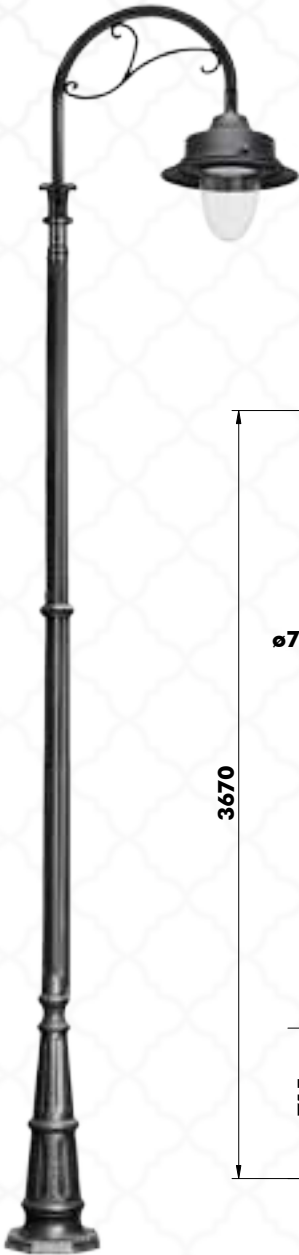
HL-2816



HL - 2358

HL - 2358

HL-2814

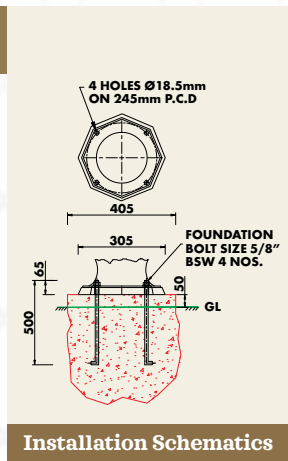


DESCRIPTION

Grooved mild steel pole, cast iron base, mild steel bracket, cast iron & mild steel embellishments, spun aluminium lighting fixture, acrylic diffuser, stainless steel screws, corrosion & UV ray resistant coating

LED WATTAGE

24/36w



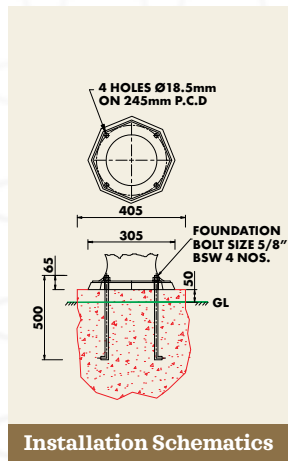
Installation Schematics

DESCRIPTION

Grooved mild steel pole, cast iron base, mild steel bracket, cast iron & mild steel embellishments, spun aluminium lighting fixture, acrylic diffuser, stainless steel screws, corrosion & UV ray resistant coating

LED WATTAGE

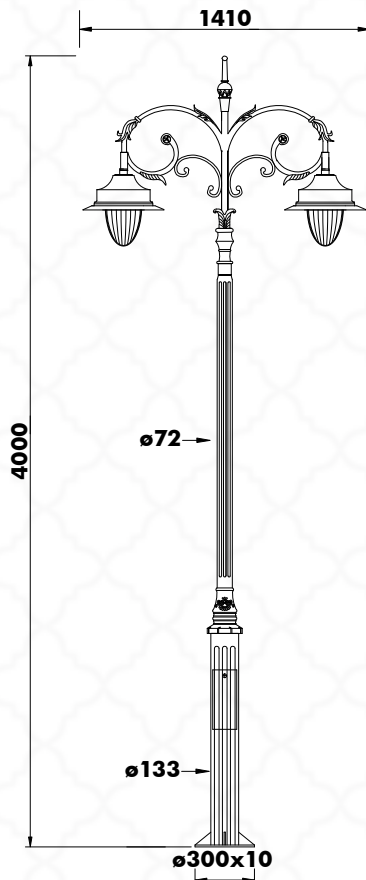
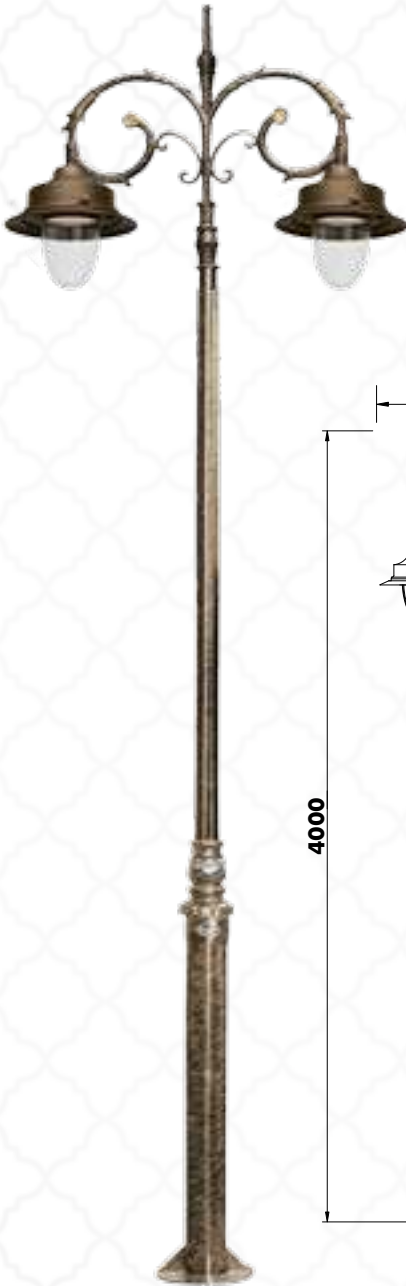
2X(24/36w)



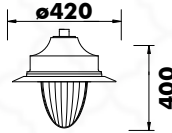
Installation Schematics

LUMINAIRE IP RATING (OPTICAL AREA) - IP 66

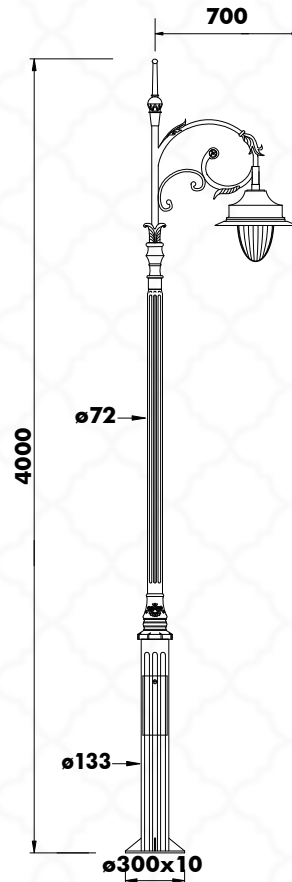
HL-2822



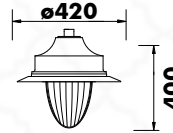
HL - 2358



HL-2823



HL - 2358

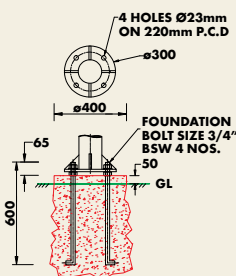


DESCRIPTION

Grooved mild steel pole, mild steel bracket, cast iron & cast aluminum embellishments, spun aluminium lighting fixture, acrylic diffuser, stainless steel screws, corrosion & UV ray resistant coating

LED WATTAGE

2X(24/36w)



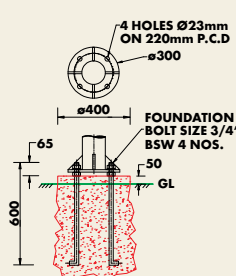
Installation Schematics

DESCRIPTION

Grooved mild steel pole, mild steel bracket, cast iron & cast aluminium embellishments, spun aluminium lighting fixture, acrylic diffuser, stainless steel screws, corrosion & UV ray resistant coating

LED WATTAGE

24/36w



Installation Schematics

LUMINAIRE IP RATING (OPTICAL AREA) - IP 66



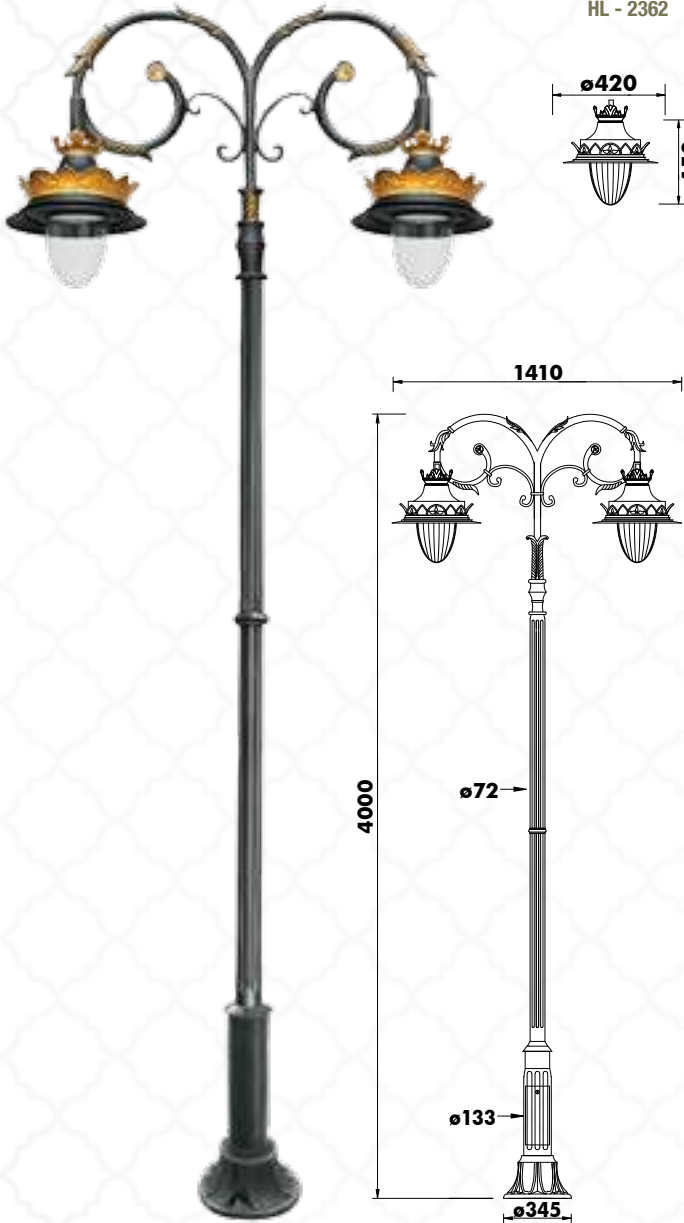
HL-2839



HL - 2362

HL - 2304

HL-2999

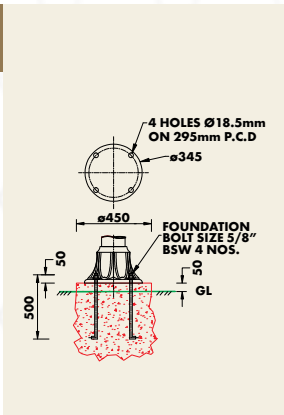


DESCRIPTION

Grooved mild steel pole, mild steel bracket, cast iron & cast aluminium embellishments, cast & spun aluminium lighting fixture, acrylic diffuser, stainless steel screws, corrosion & UV ray resistant coating

LED WATTAGE

2X(24/36w)



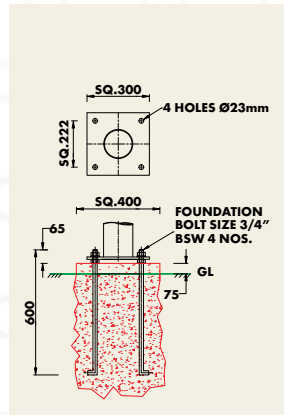
Installation Schematics

DESCRIPTION

Mild steel pole, mild steel bracket, cast iron embellishments, cast aluminium lighting fixture, polycarbonate diffuser, stainless steel screws, corrosion & UV ray resistant coating

LED WATTAGE

2X(28/36W)

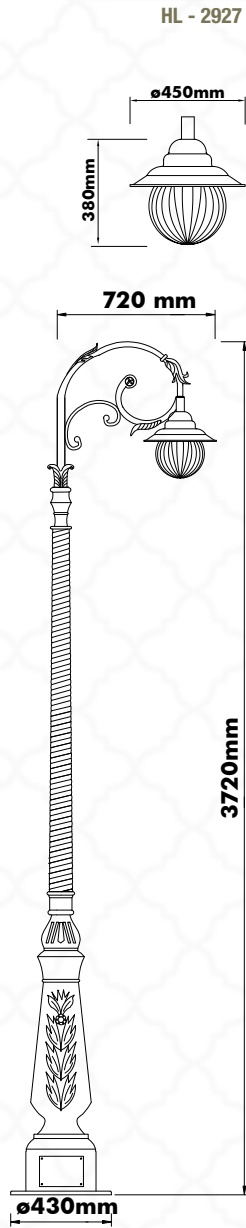


Installation Schematics

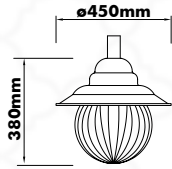
LUMINAIRE IP RATING (OPTICAL AREA) - IP 66

ALL SIZES ARE IN MM

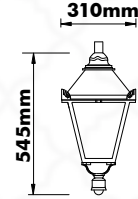
HL - PTL - 01



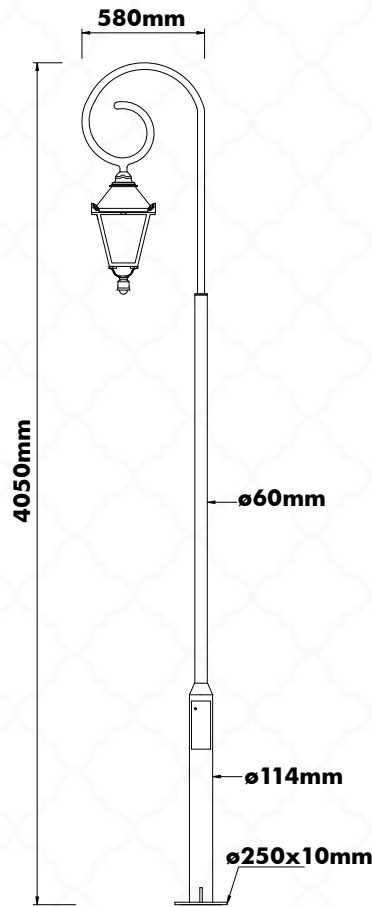
HL - 2927



HL - 2304



HL - 2840

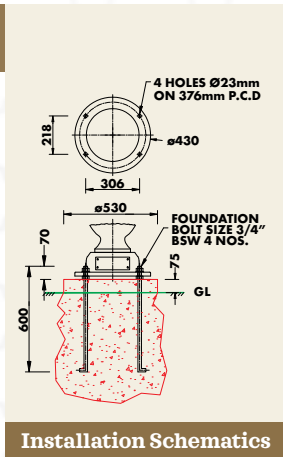


DESCRIPTION

Cast iron pole, mild steel bracket with cast iron & aluminium embellishments, cast & spun aluminium lighting fixture, polycarbonate diffuser, corrosion and UV ray resistant coating.

LED WATTAGE

30W



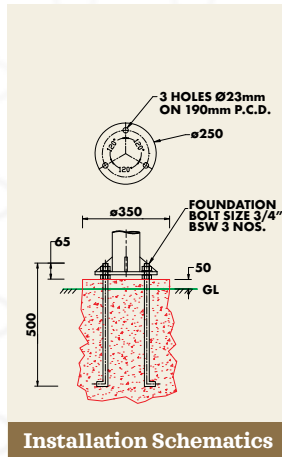
LUMINAIRE IP RATING (OPTICAL AREA) - IP 54

DESCRIPTION

Mild steel pole, mild steel bracket, cast aluminium lighting fixture, stainless steel screws, polycarbonate diffusers, corrosion and UV ray resistant coating.

LED WATTAGE

28/36W



LUMINAIRE IP RATING (OPTICAL AREA) - IP 66



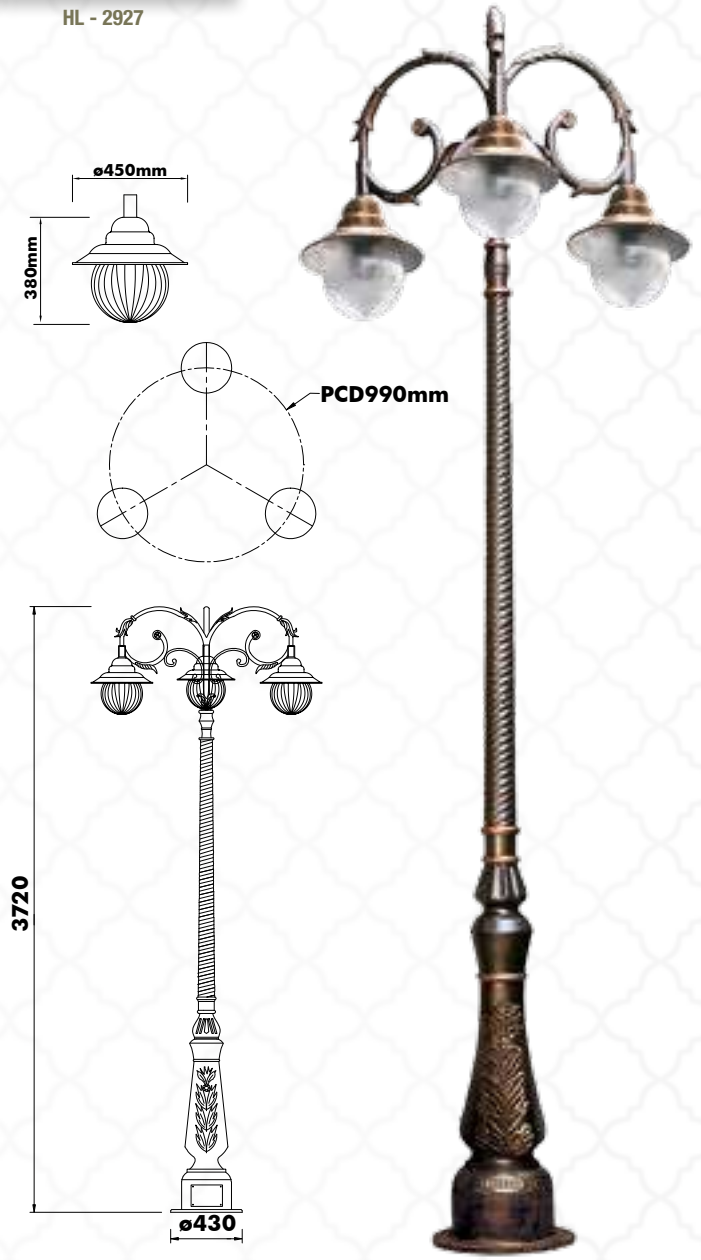
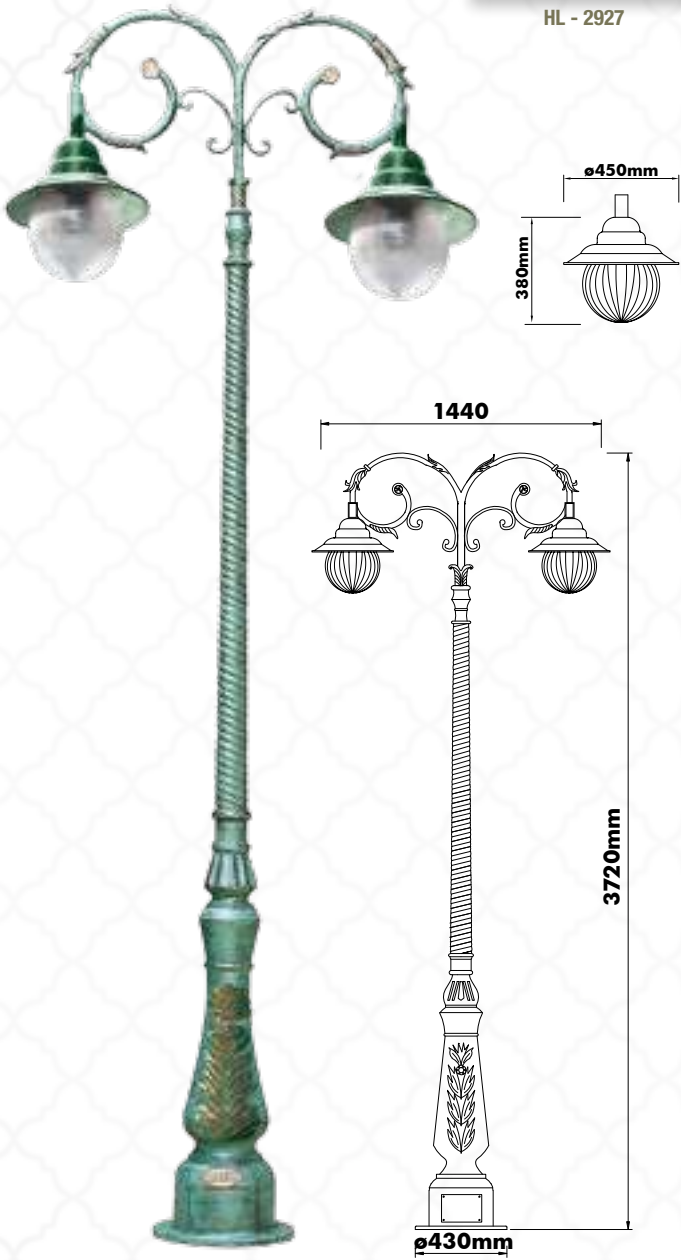
HL - PTL - 02



HL - 2927

HL - 2927

HL - PTL - 03

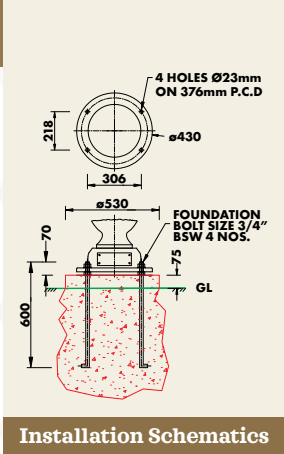


DESCRIPTION

Cast iron pole, mild steel bracket with cast iron & aluminium embellishments, cast & spun aluminium lighting fixture, polycarbonate diffuser, corrosion and UV ray resistant coating.

LED WATTAGE

2X30W

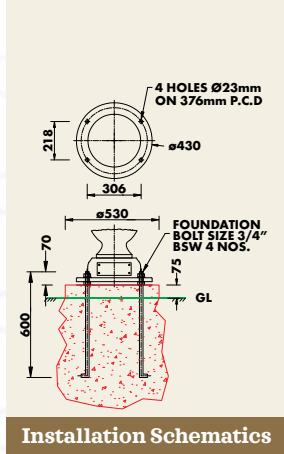


DESCRIPTION

Cast iron pole, mild steel bracket with cast iron & aluminium embellishments, cast & spun aluminium lighting fixture, polycarbonate diffuser, corrosion and UV ray resistant coating.

LED WATTAGE

3X30W



LUMINAIRE IP RATING (OPTICAL AREA) - IP 54

HL-MSP-224-2957

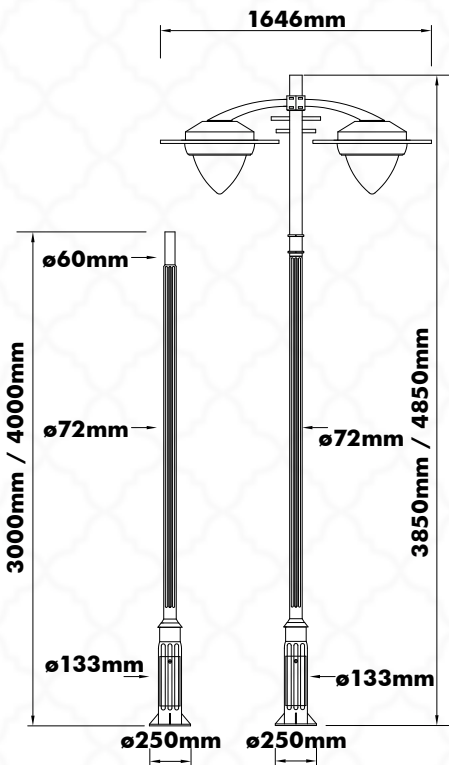
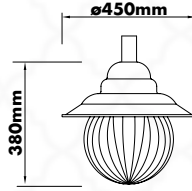
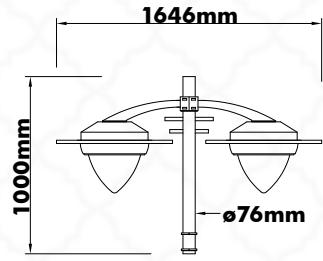
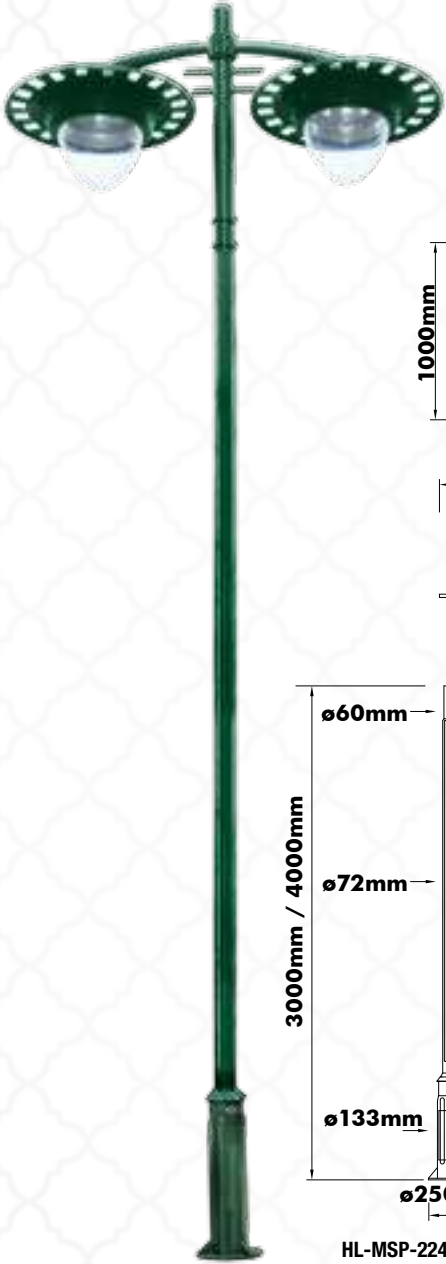


HL - 2957



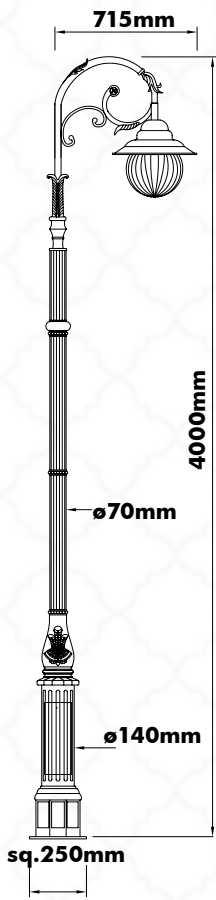
HL - 2927

HL - 2958



HL-MSP-224

HL-MSP-224-2957

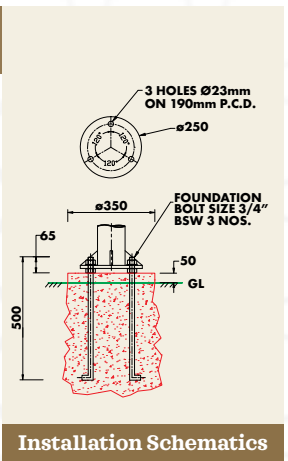


DESCRIPTION

Mild steel pole with cast iron embellishment, cast and spun aluminium lighting fixture, acrylic diffuser, silicon rubber gasket, stainless steel screws, corrosion and UV rays resistant coating.

LED WATTAGE

2X(36/54W)



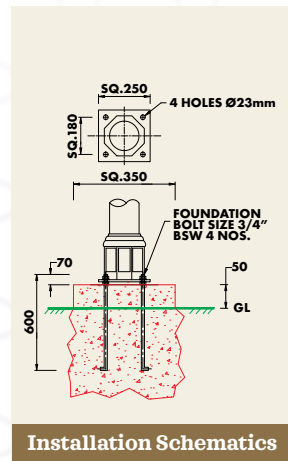
Installation Schematics

DESCRIPTION

Cast iron pole, mild steel bracket with cast iron and cast aluminium embellishments, cast and spun aluminium lighting fixture, poly-carbonate diffuser, stainless steel screws, corrosion and UV ray resistant coating.

LED WATTAGE

30W



Installation Schematics

LUMINAIRE IP RATING (OPTICAL AREA) - IP 66

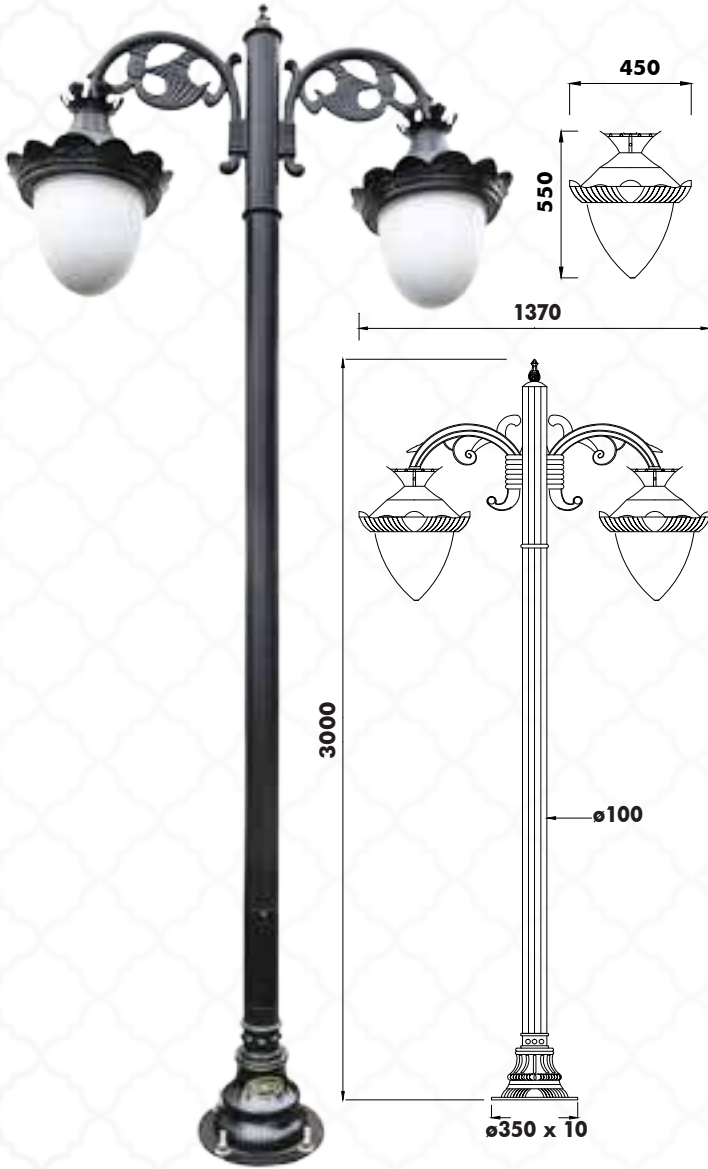
LUMINAIRE IP RATING (OPTICAL AREA) - IP 54

HL - 2848



HL - 2360

HL - 2858



DESCRIPTION

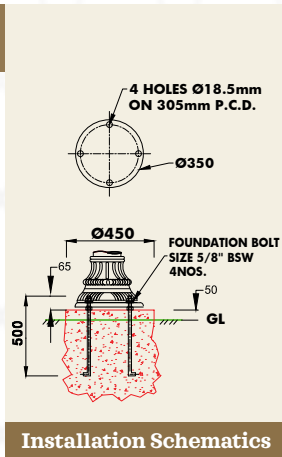
Mild steel Base plate ,
Cast iron base , extruded
aluminium column ,
Cast aluminium bracket
, Cast & spun Aluminium
Lighting fixture, Silicon
rubber gasket, stainless
steel screw, Acrylic
diffuser, corrosion and
UV ray resistant coating.

LED WATTAGE

2X36/54W

LUMINAIRE IP RATING (OPTICAL AREA) - IP 66

ALL SIZES ARE IN MM



Installation Schematics

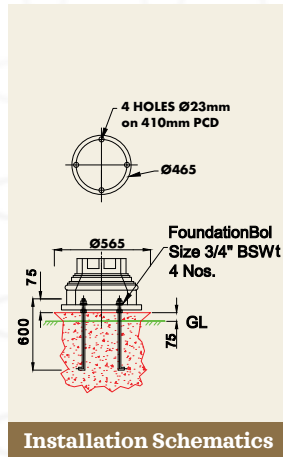
DESCRIPTION

Cast iron Pole ,
Bracket made of mild
steel - Castiron - cast
aluminium, Cast
Aluminium Lighting
fixture, EPDM rubber
gasket, stainless steel
screw, Polycarbonate
diffuser, corrosion and
UV ray resistant coating .

LED WATTAGE

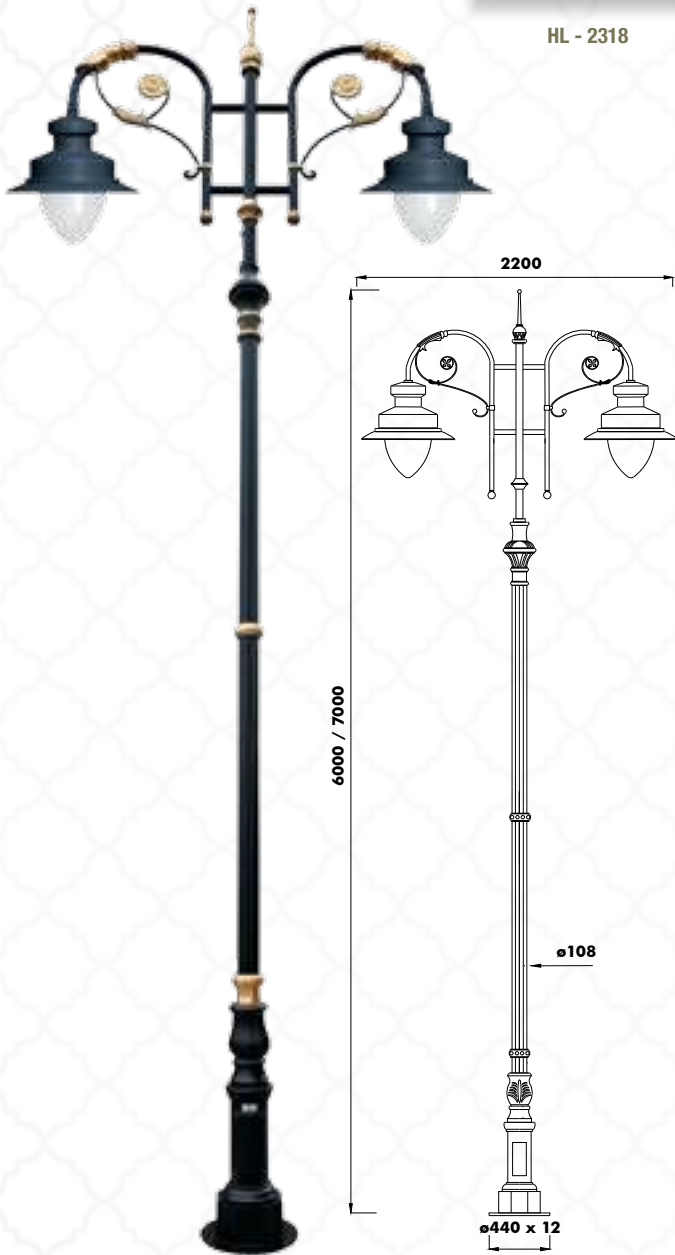
2X35/45W, RETROFIT LED

LUMINAIRE IP RATING (OPTICAL AREA) - IP 54

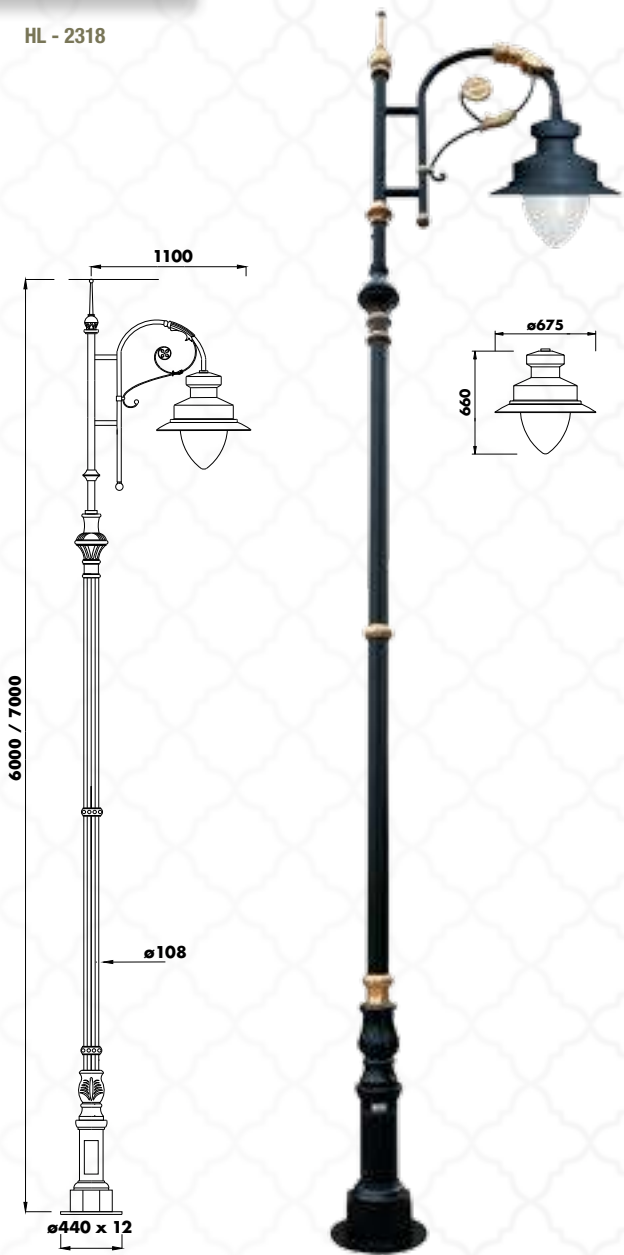


Installation Schematics

HL - 2856



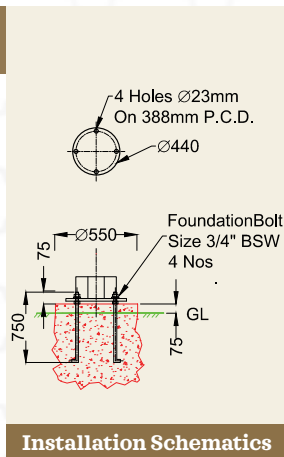
HL - 2854



DESCRIPTION

Mild steel Base plate, Cast iron base & other embellishments, Grooved Mild steel column, Bracket made of mild steel - Castiron -cast aluminium, spun Aluminium Lighting fixture, Silicon rubber gasket, stainless steel screw, polycarbonate diffuser, corrosion and U.V ray resistant coating.

LED WATTAGE
2X54/75/83/110W



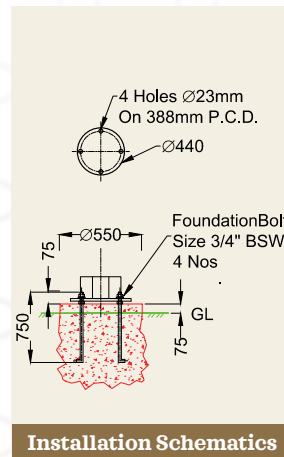
Installation Schematics

LUMINAIRE IP RATING (OPTICAL AREA) - IP 66

DESCRIPTION

Mild steel Base plate, Cast iron base & other embellishments, Grooved Mild steel column, Bracket made of mild steel - Castiron -cast aluminium, spun Aluminium Lighting fixture, Silicon rubber gasket, stainless steel screw, polycarbonate diffuser, corrosion and U.V ray resistant coating.

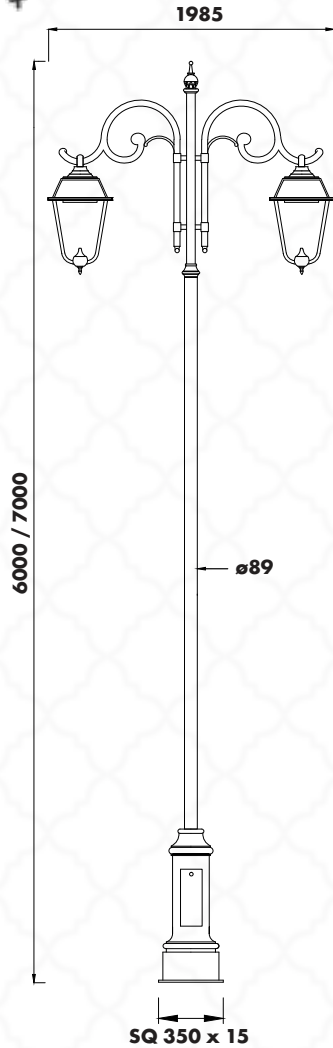
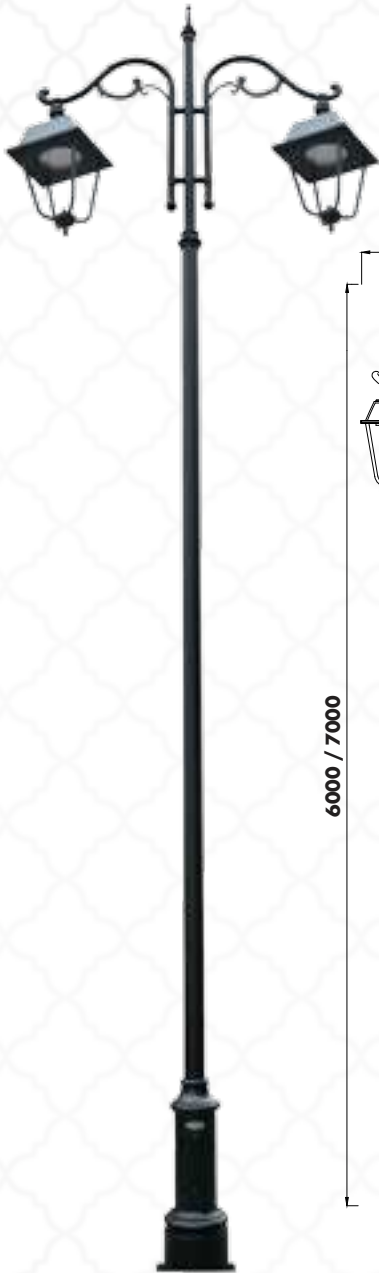
LED WATTAGE
54/75/83/110W



Installation Schematics



HL - 2849



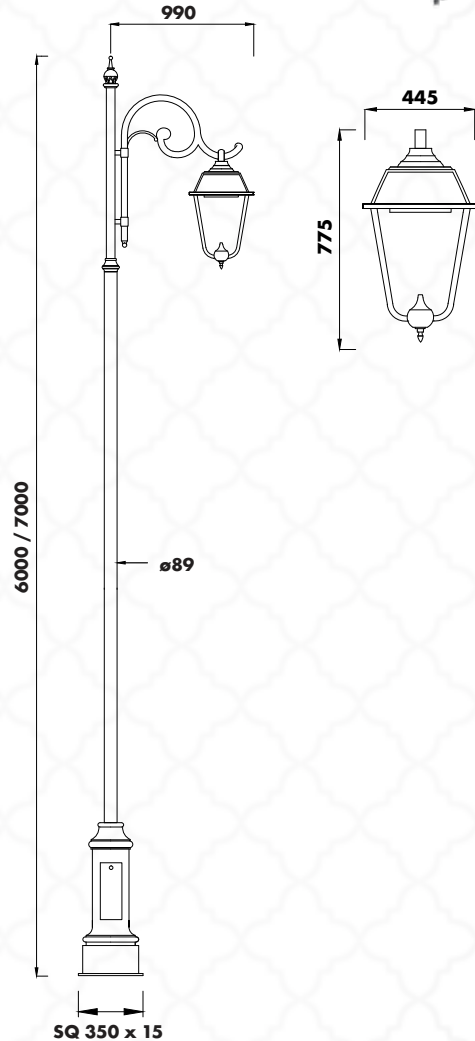
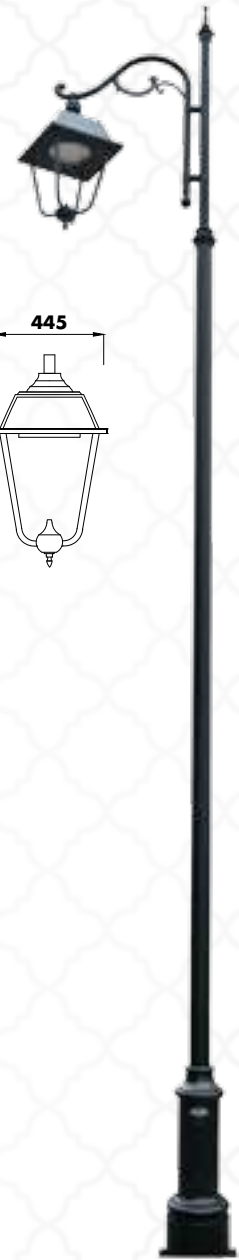
HL - 2386



HL - 2386



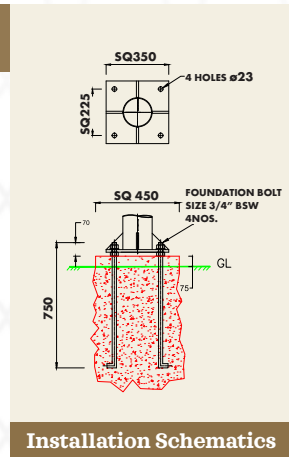
HL - 2851



DESCRIPTION

Mild steel Base plate & pole, Cast iron Pedestal, Bracket made of mild steel - Castiron -cast aluminium, Cast Aluminium Lighting fixture, Silicon & EPDM rubber gasket, stainless steel screw, Toughned Glass diffuser, corrosion and U.V ray resistant coating.

LED WATTAGE
2X(54/75/83 W)



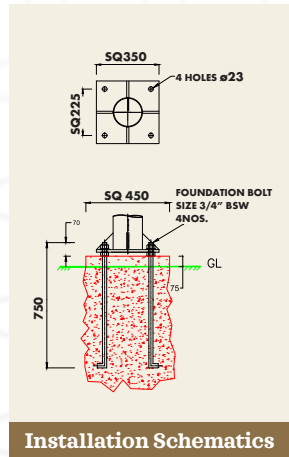
Installation Schematics

LUMINAIRE IP RATING (OPTICAL AREA) - IP 66

DESCRIPTION

Mild steel Base plate & pole, Cast iron Pedestal, Bracket made of mild steel - Castiron -cast aluminium, Cast Aluminium Lighting fixture, Silicon & EPDM rubber gasket, stainless steel screw, Toughned Glass diffuser, corrosion and U.V ray resistant coating.

LED WATTAGE
54/75/83 W



Installation Schematics

ALL SIZES ARE IN MM

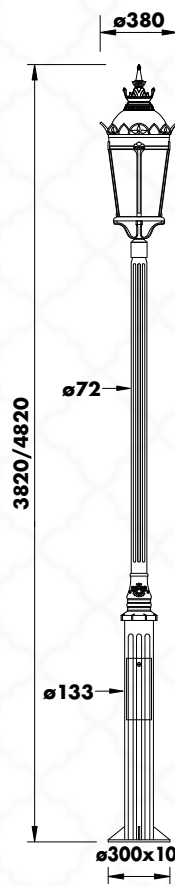
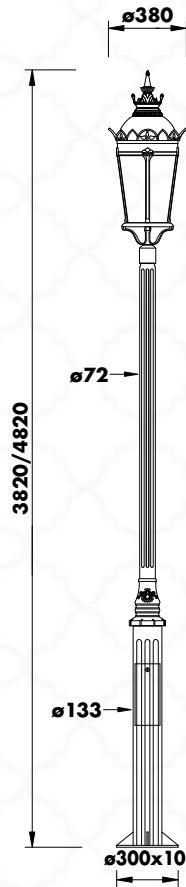
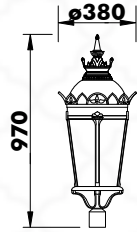
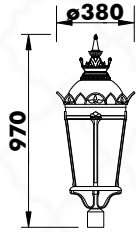
HL-MSP-226-2314

HL-MSP-226-2313



HL - 2314

HL - 2313

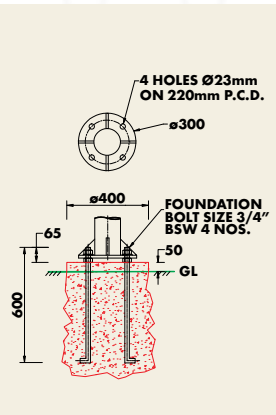


DESCRIPTION

Grooved mild steel pole, cast iron embellishments, cast & spun aluminium lighting fixture, polycarbonate diffuser, silicon rubber gasket, stainless steel screws, corrosion & UV ray resistant coating

LED WATTAGE

36/54W



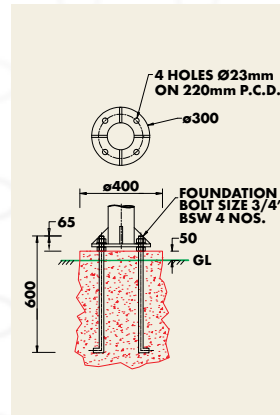
Installation Schematics

DESCRIPTION

Grooved mild steel pole, cast iron embellishments, cast & spun aluminium lighting fixture, polycarbonate diffuser, silicon rubber gasket, stainless steel screws, corrosion & UV ray resistant coating

LED WATTAGE

36/54W

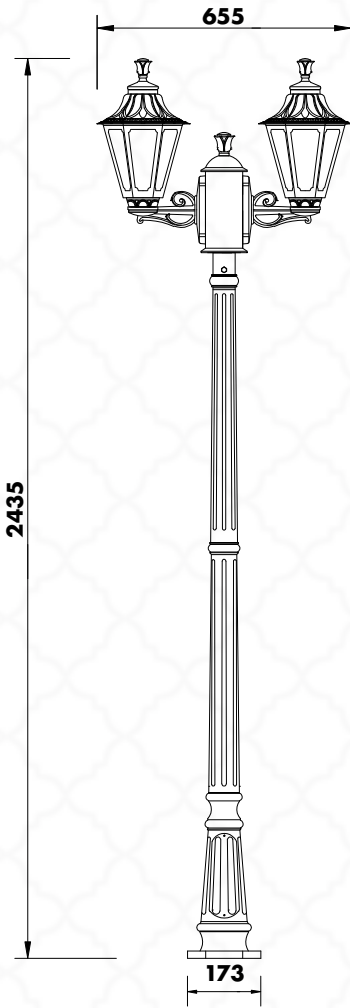


Installation Schematics

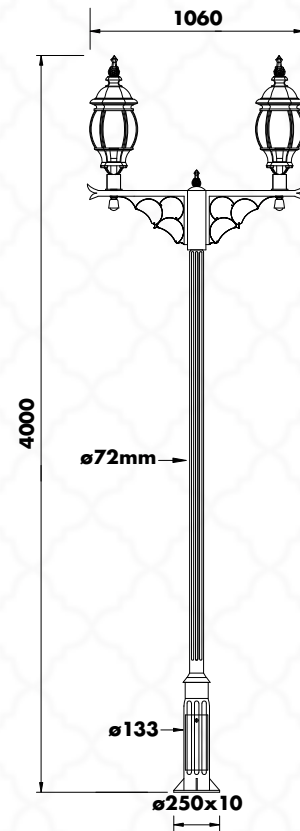
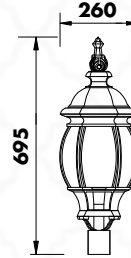
LUMINAIRE IP RATING (OPTICAL AREA) - IP 66



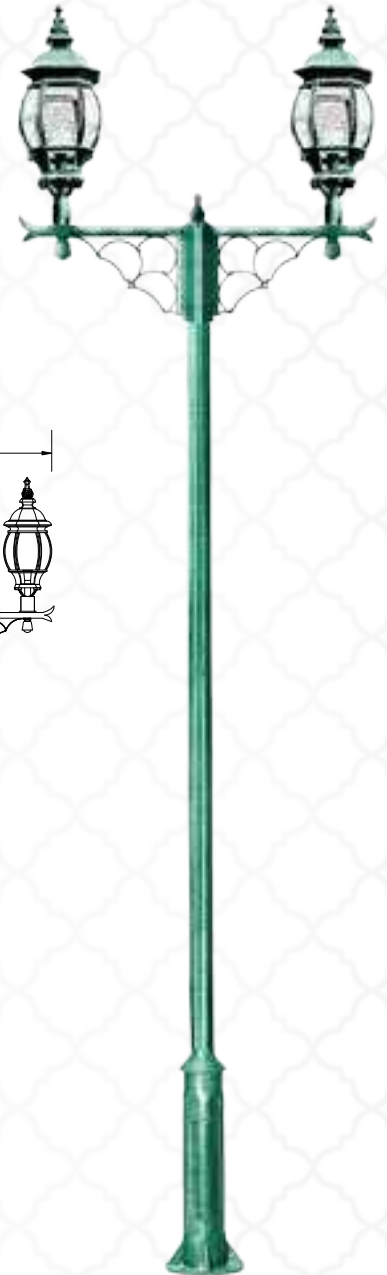
HL-2836



HL - 2750 (Pole Mount)



HL-2817

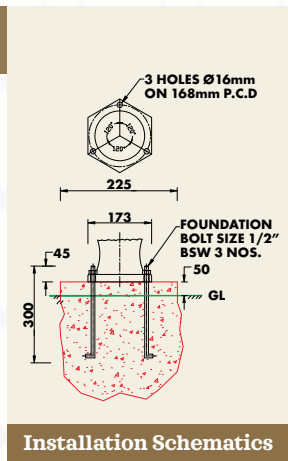


DESCRIPTION

Cast aluminium pole, bracket & lighting fixture, acrylic diffuser, stainless steel screws, corrosion & UV ray resistant coating

LED WATTAGE

2X18W



Installation Schematics

LUMINAIRE IP RATING (OPTICAL AREA) - IP 66

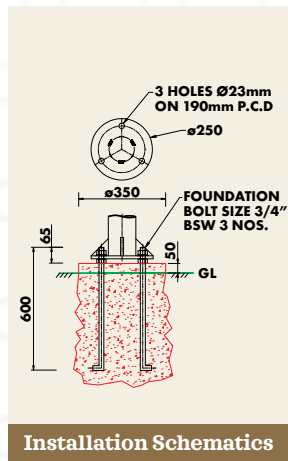
ALL SIZES ARE IN MM

DESCRIPTION

Grooved mild steel pole, cast iron bracket, cast iron & mild steel embellishments, aluminium lighting fixture, acrylic diffuser, stainless steel screws, corrosion & UV ray resistant coating

LED WATTAGE

2X30W



Installation Schematics

LUMINAIRE IP RATING (OPTICAL AREA) - IP 65

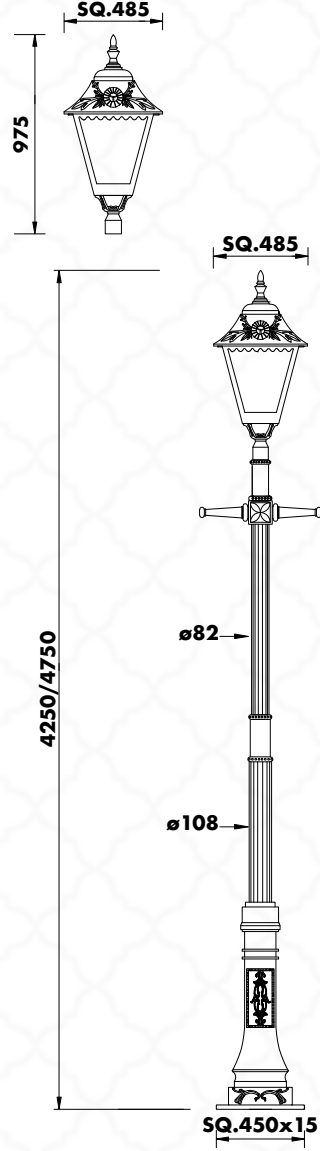
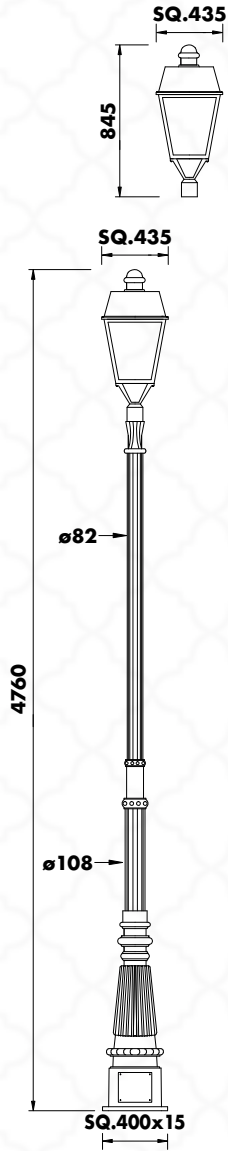
HL-MSP-252-2303



HL - 2303

HL - 2915

HL-MSP-245-2915

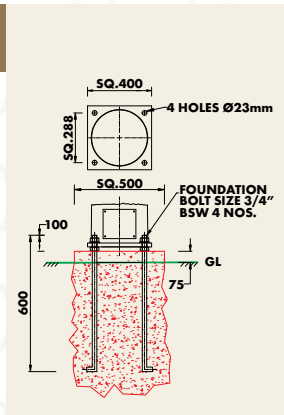


DESCRIPTION

Grooved mild steel pole, cast iron embellishments, cast aluminium lighting fixture, polycarbonate diffuser, stainless steel screws, corrosion & UV ray resistant coating

LED WATTAGE

36/54/75W



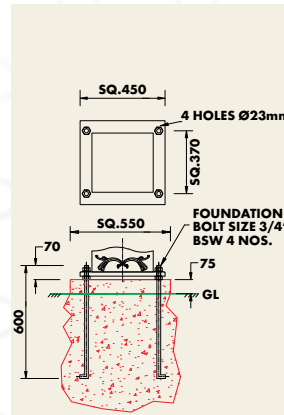
Installation Schematics

DESCRIPTION

Grooved mild steel pole, cast iron Pedestal, cast iron embellishment, cast aluminium lighting fixture, polycarbonate diffuser, stainless steel screws, corrosion & U.V ray resistant coating

LED WATTAGE

36/54/75W



Installation Schematics

LUMINAIRE IP RATING (OPTICAL AREA) - IP 66



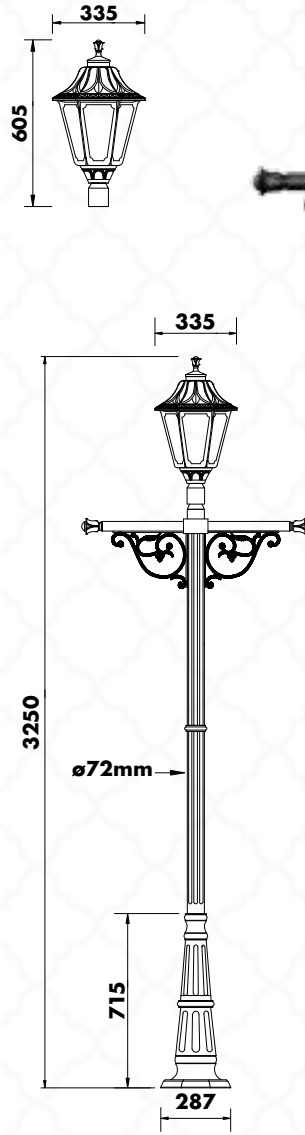
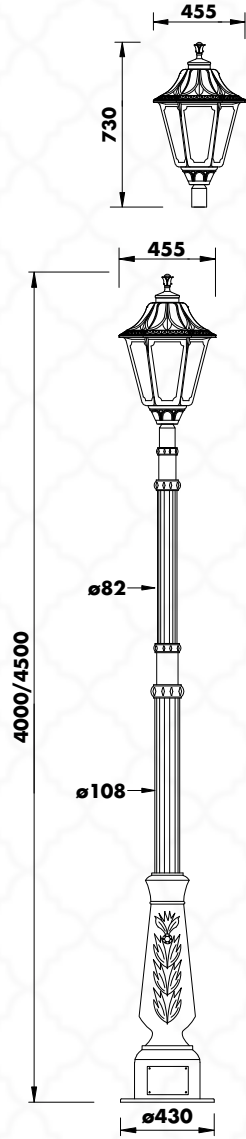
HL-MSP-246-2740



HL - 2740 (Pole Mount)

HL - 2710 (Pole Mount)

HL-2818

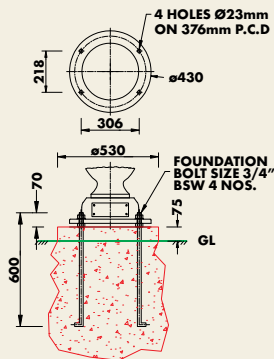


DESCRIPTION

Grooved mild steel pole, cast iron Pedestal, cast iron embellishments, cast aluminium lighting fixture, polycarbonate diffuser, stainless steel screws, corrosion & UV ray resistant coating

LED WATTAGE

36/54W



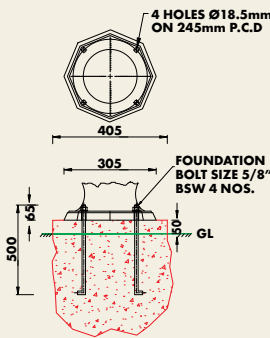
Installation Schematics

DESCRIPTION

Grooved mild steel pole, cast iron base, mild steel bracket, cast iron & mild steel embellishments, cast aluminium lighting fixture, polycarbonate diffuser, stainless steel screws, corrosion & UV ray resistant coating

LED WATTAGE

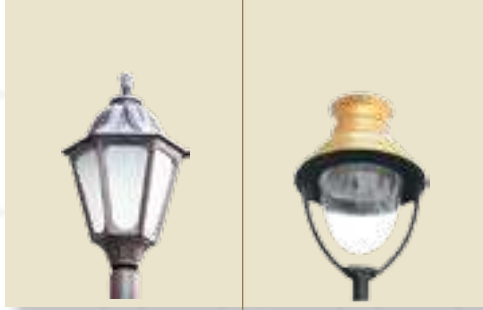
30/36W



Installation Schematics

LUMINAIRE IP RATING (OPTICAL AREA) - IP 66

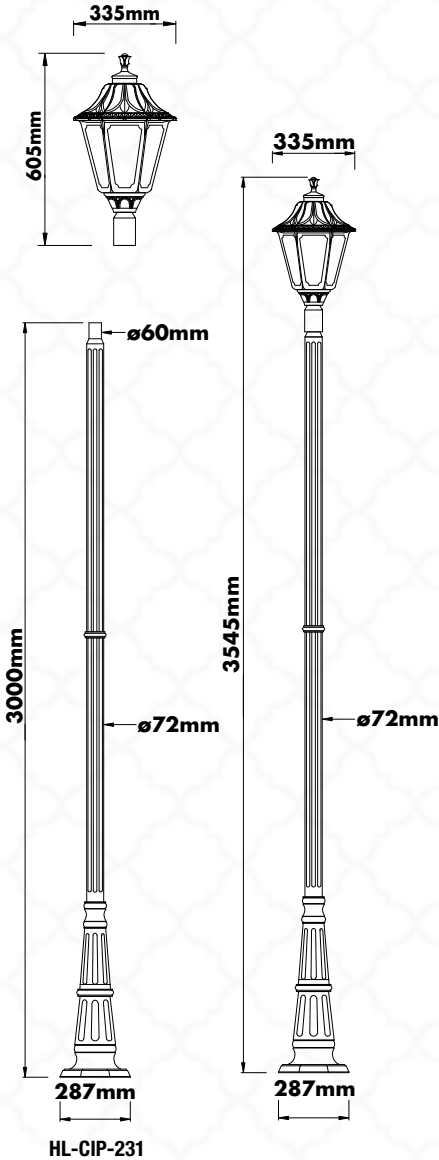
HL-CIP-231-2710



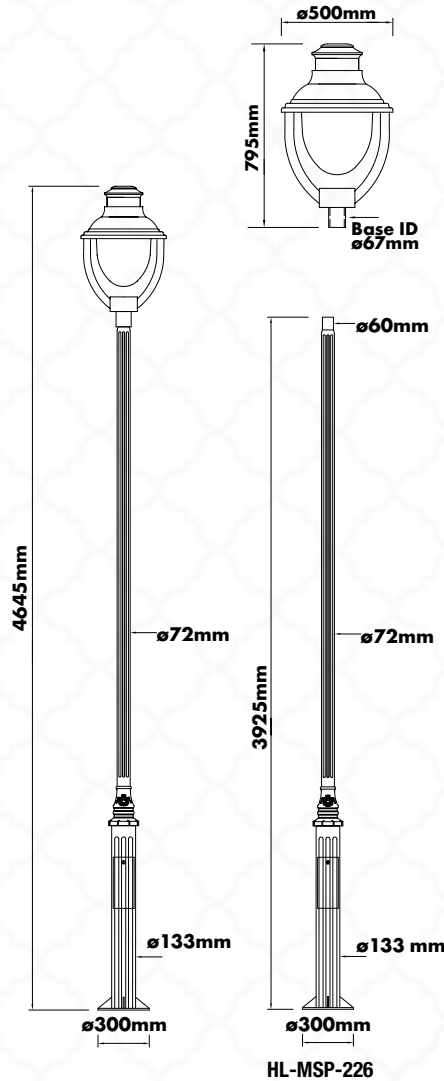
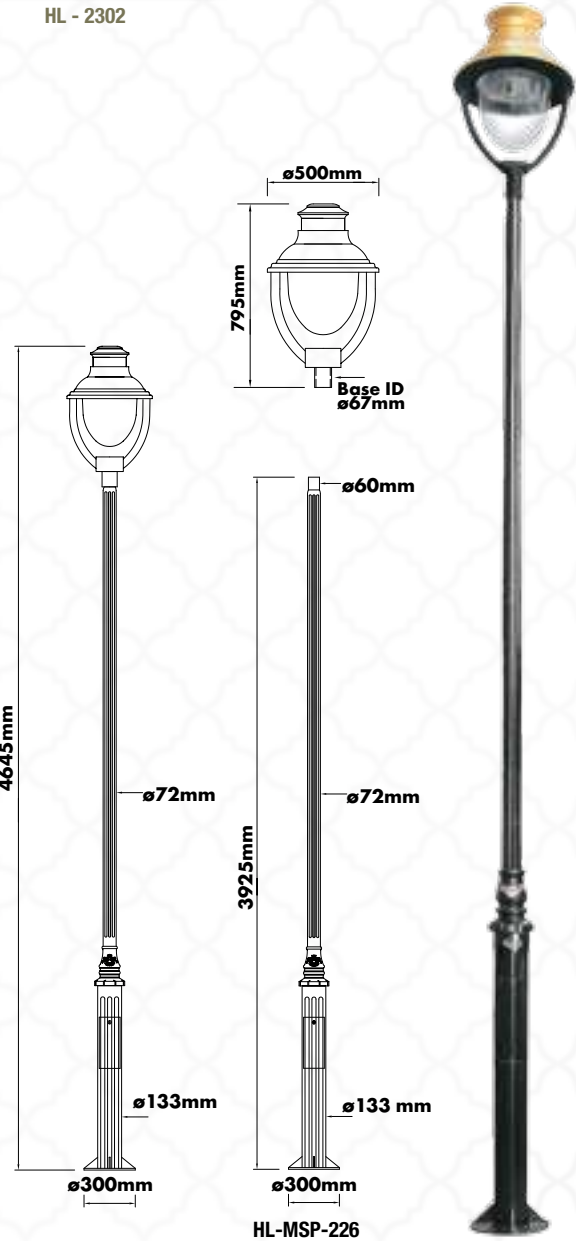
HL - 2710 (Pole Mount)

HL - 2302

HL-MSP-226-2302



HL-CIP-231



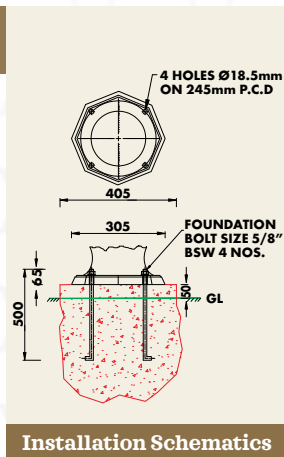
HL-MSP-226

DESCRIPTION

Cast iron base, grooved mild steel column, cast aluminium lighting fixture, polycarbonate diffuser, stainless steel screws, corrosion and UV ray resistant coating.

LED WATTAGE

30/36W



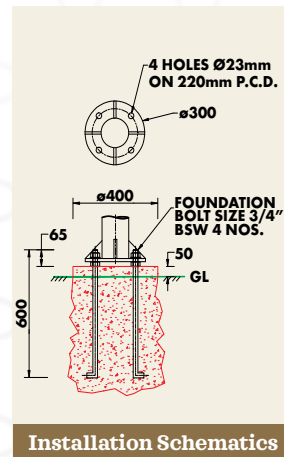
Installation Schematics

DESCRIPTION

Grooved mild steel pole with cast iron embellishments, cast and spun aluminium lighting fixture, acrylic/ polycarbonate diffuser, stainless steel screws, corrosion and UV ray resistant coating.

LED WATTAGE

36/54W

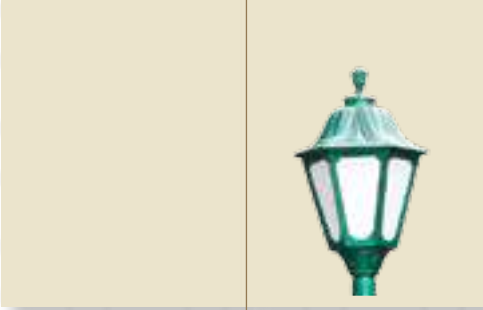


Installation Schematics

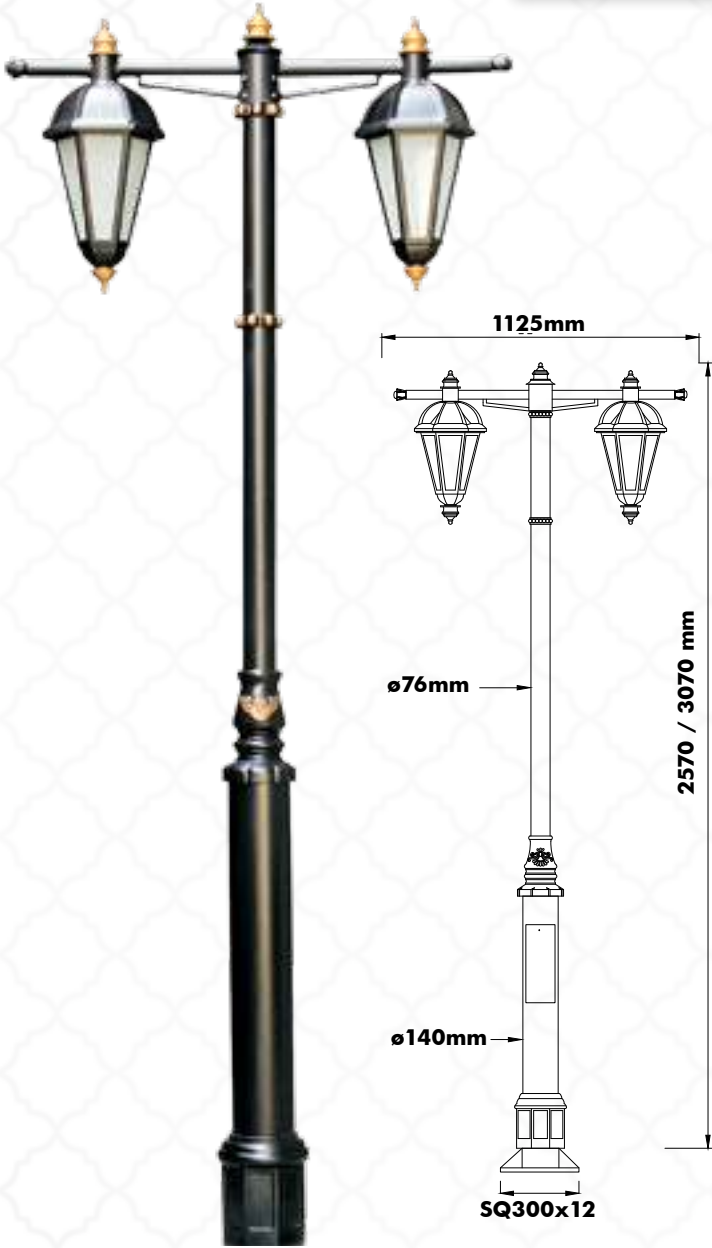
LUMINAIRE IP RATING (OPTICAL AREA) - IP 66



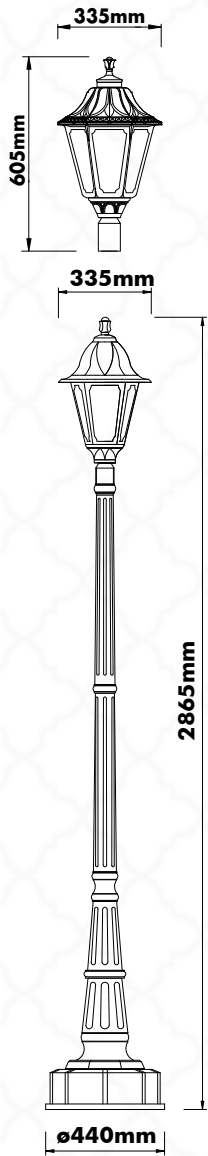
HL - 2845



HL 1LPL - 2710



HL - 2710 (Pole Mount)

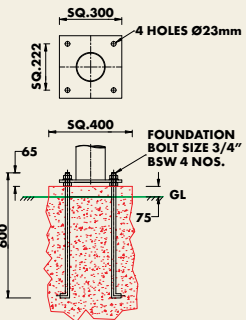


DESCRIPTION

Mild steel pole with cast iron embellishments, mild steel bracket, cast aluminium lighting fixture, polycarbonate diffuser, stainless steel screws, corrosion and UV ray resistant coating.

LED WATTAGE

2X24W



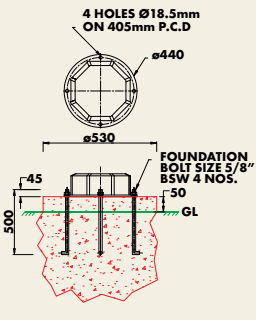
Installation Schematics

DESCRIPTION

Cast aluminium/cast iron pole, cast aluminium lighting fixture, polycarbonate diffusers, stainless steel screws, corrosion and UV ray resistant coating.

LED WATTAGE

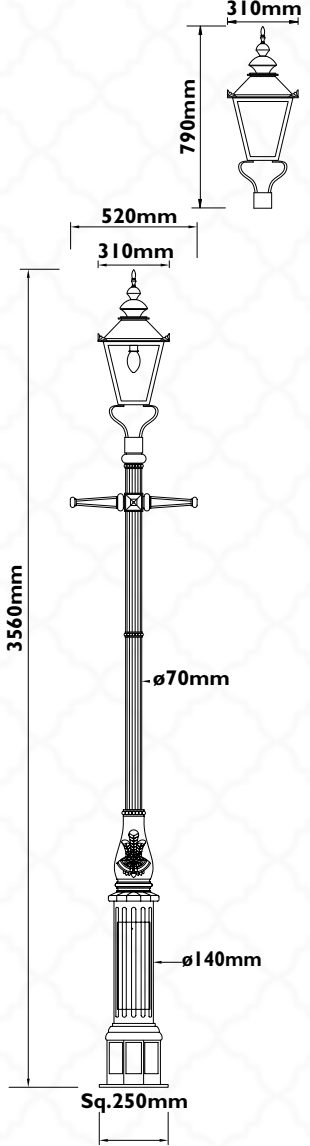
30/36W



Installation Schematics

LUMINAIRE IP RATING (OPTICAL AREA) - IP 66

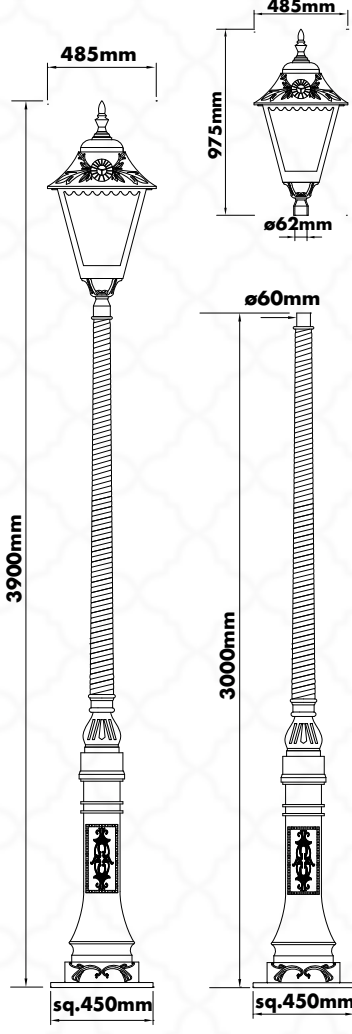
HL - 2850



HL - 2105



HL - 2915



HL - CIP-218



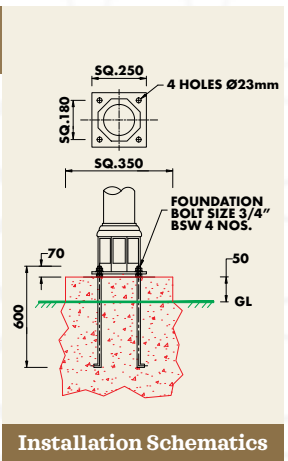
HL - CIP-218-2915

DESCRIPTION

Cast iron pole, cast & spun aluminium lighting fixture, polycarbonate diffusers, stainless steel screws, corrosion and UV ray resistant coating.

LED WATTAGE

28/36/54W



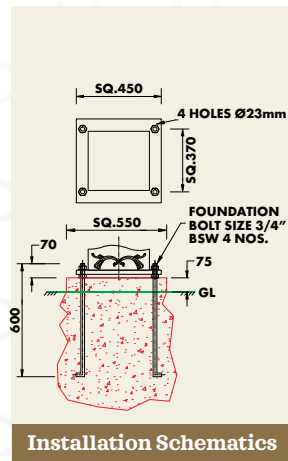
Installation Schematics

DESCRIPTION

Cast iron pole, cast aluminium lighting fixture, polycarbonate diffuser, stainless steel screws, corrosion and UV ray resistant coating.

LED WATTAGE

36/54/75W



Installation Schematics

LUMINAIRE IP RATING (OPTICAL AREA) - IP 66



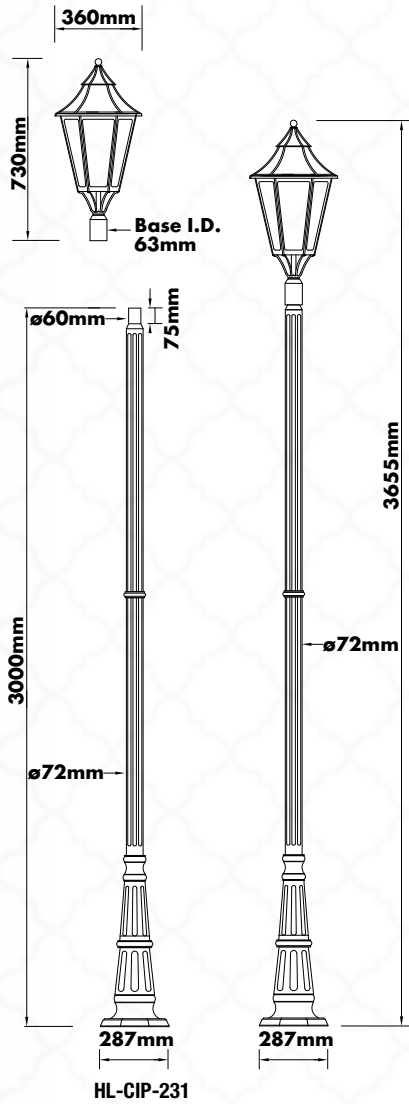
HL-CIP-231-2307



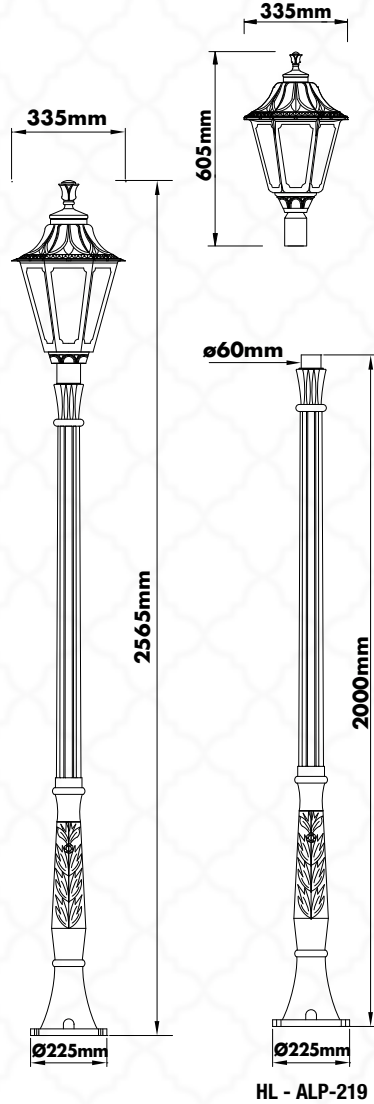
HL - 2307

HL - 2710 (Pole Mount)

HL - ALP-219-2710



HL-CIP-231



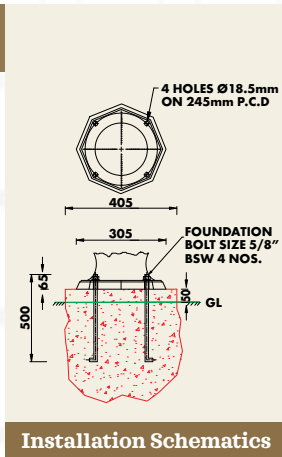
HL - ALP-219

DESCRIPTION

Cast-iron base, grooved mild steel column, cast aluminium lighting fixture, polycarbonate diffuser, stainless steel screws, corrosion and UV ray resistant coating.

LED WATTAGE

30/36W



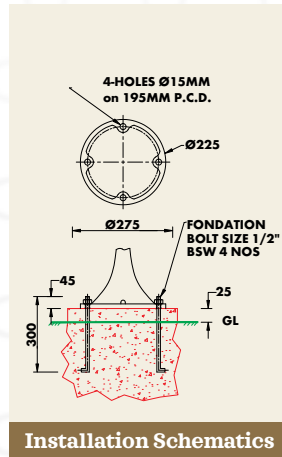
Installation Schematics

DESCRIPTION

Cast aluminium pole, cast aluminium lighting fixture, polycarbonate diffuser, stainless steel screws, corrosion and UV ray resistant coating.

LED WATTAGE

30/36W



Installation Schematics

LUMINAIRE IP RATING (OPTICAL AREA) - IP 66

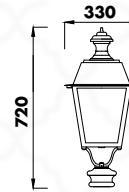
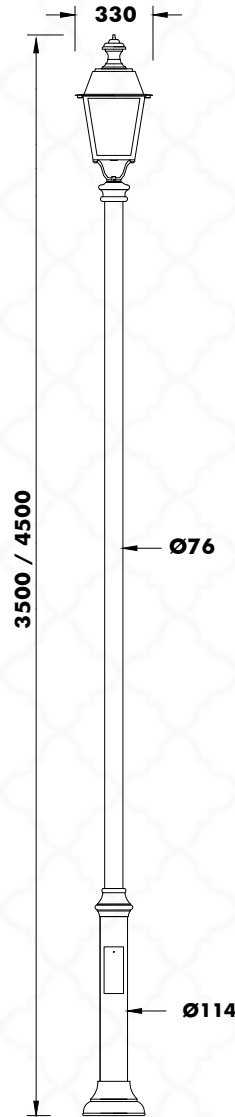
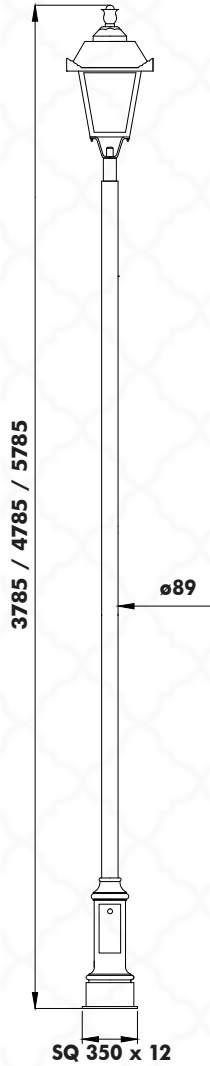
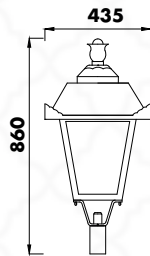
HL-MSP - 266-2372



HL - 2372

HL - 2395

HL-MSP - 264-2395

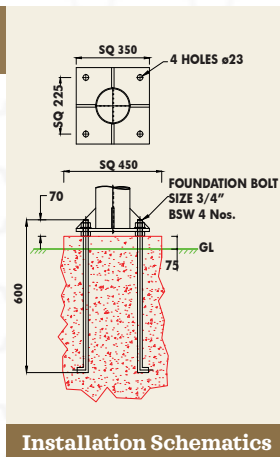


DESCRIPTION

Mild steel Base plate & pole, Cast iron Pedestal, Cast Aluminium Lighting fixture, Silicon & EPDM rubber gasket, stainless steel screw, Polycarbonate diffuser, corrosion and U.V ray resistant coating

LED WATTAGE

54/75/83 W



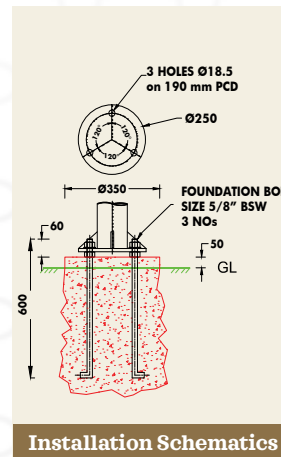
Installation Schematics

DESCRIPTION

Mild steel Base plate & pole, Cast iron Embellishments, Cast Aluminium Lighting fixture, Silicon & EPDM rubber gasket, stainless steel screw, Polycarbonate diffuser, corrosion and U.V ray resistant coating.

LED WATTAGE

42/54W



Installation Schematics

LUMINAIRE IP RATING (OPTICAL AREA) - IP 66



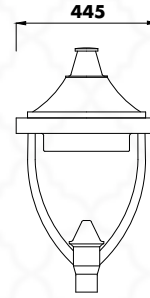
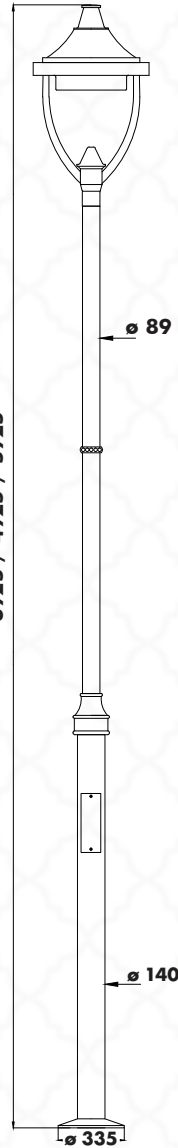
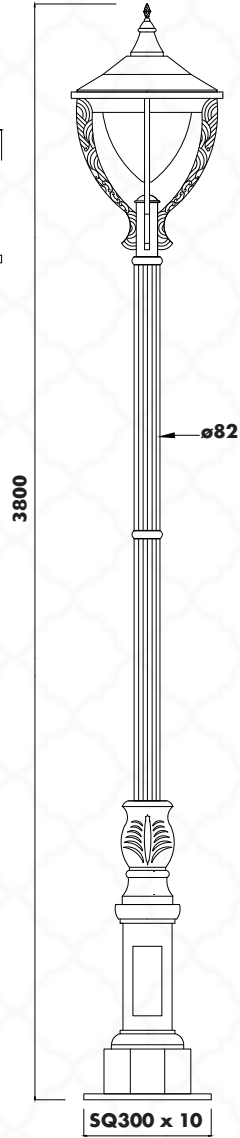
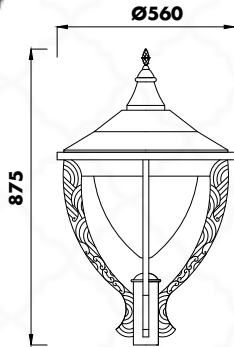
HL-MSP - 261-2383



HL - 2383

HL - 2382

HL-MSP - 259-2382



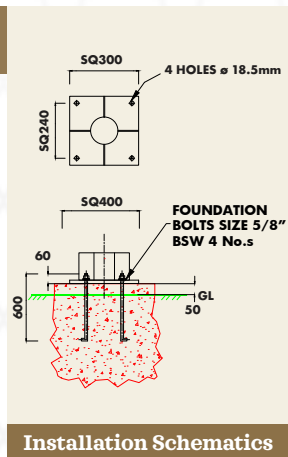
DESCRIPTION

Mild Steel base plate , Grooved Mild steel pole, Cast Aluminium Pedestal & Embellishments, Cast , Spun & Extruded Aluminium Lighting fixture, Silicon rubber gasket, stainless steel screw, Polycarbonate diffuser, corrosion and UV ray resistant coating.

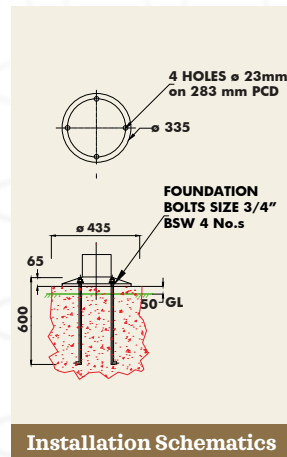
LED WATTAGE

36/54W

ALL SIZES ARE IN MM



Installation Schematics



Installation Schematics

DESCRIPTION

Cast Steel Base Plate , Mild Steel pole, Cast Iron Embellishments, Cast Aluminium Lighting fixture, Silicon rubber gasket, stainless steel screw, Polycarbonate diffuser, corrosion and UV ray resistant coating.

LED WATTAGE

54/75/83/110W

LUMINAIRE IP RATING (OPTICAL AREA) - IP 66

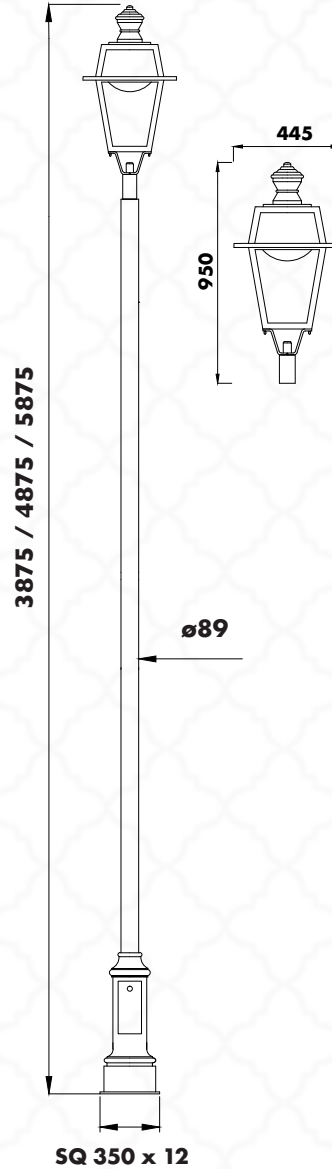
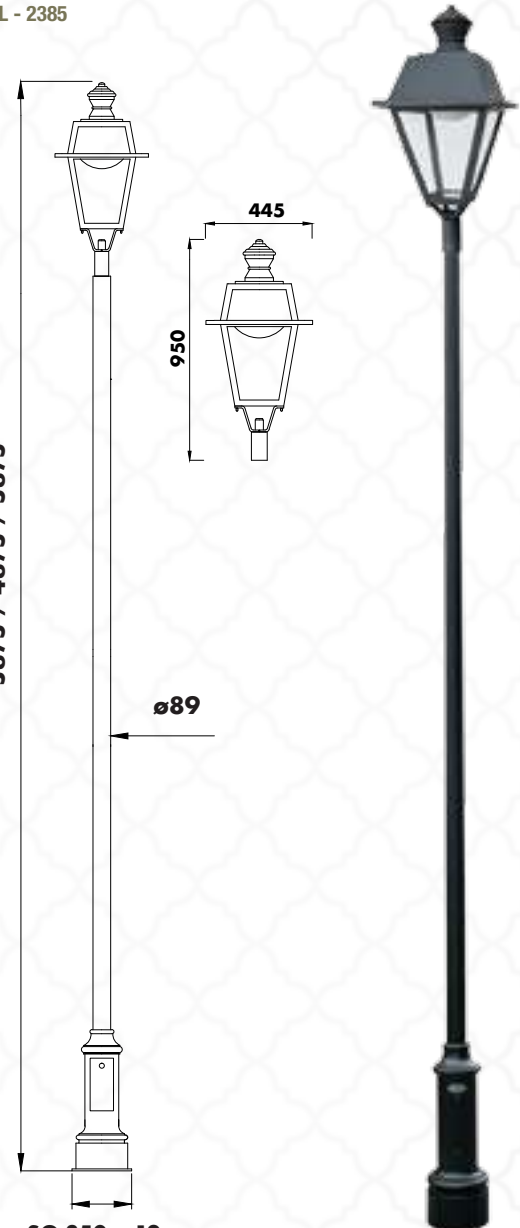
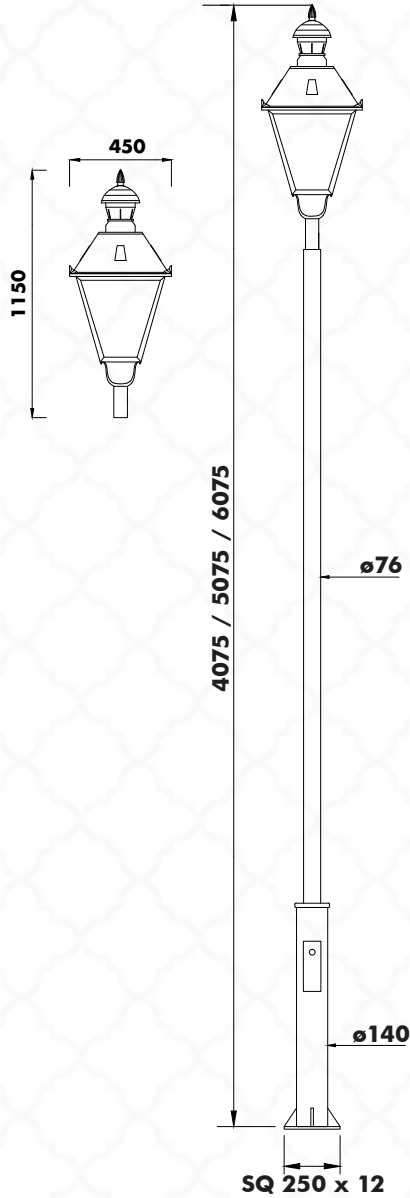
HL-MSP - 268-2387



HL - 2387

HL - 2385

HL-MSP - 266-2385

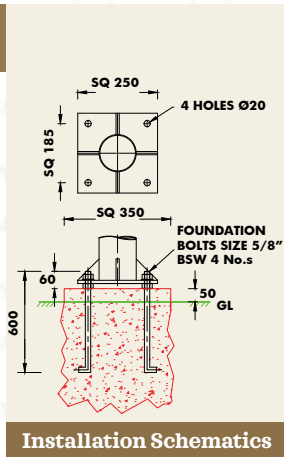


DESCRIPTION

Mild steel Base Plate & pole, Cast Aluminium Embellishment, Stainless steel and Aluminium Lighting fixture, Silicon & EPDM rubber gasket, stainless steel screw, PMMA diffuser, corrosion and U.V ray resistant coating.

LED WATTAGE

42/54/75W



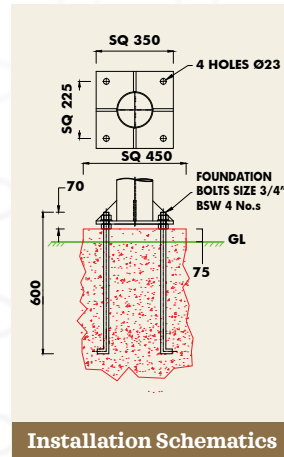
Installation Schematics

DESCRIPTION

Mild steel Base plate & pole, Cast iron Pedestal, Cast & Spun Aluminium Lighting fixture, Silicon & EPDM rubber gasket, stainless steel screw, Polycarbonate diffuser (outer) and Acrylic Diffuser(inner), corrosion and U.V ray resistant coating.

LED WATTAGE

36/54W



Installation Schematics

LUMINAIRE IP RATING (OPTICAL AREA) - IP 66



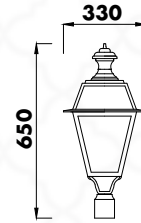
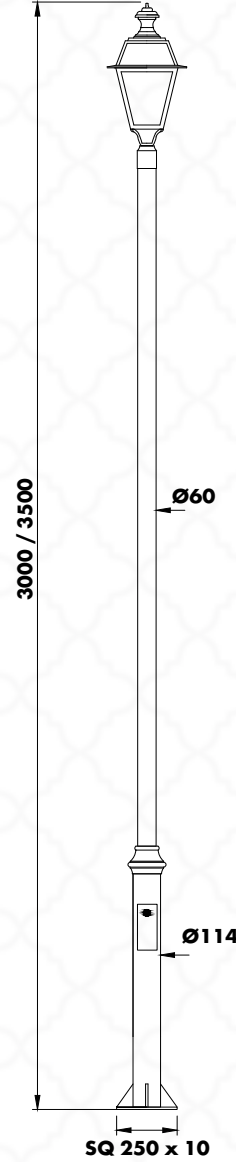
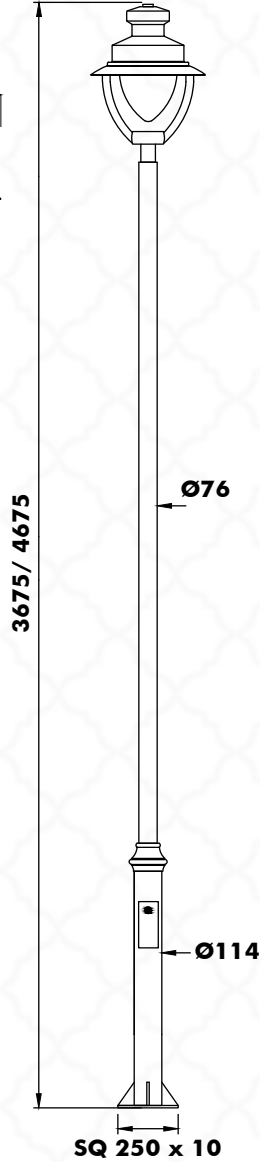
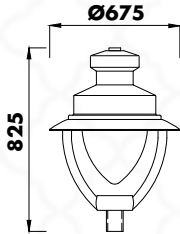
HL-MSP - 262-2373



HL - 2373

HL - 2374

HL-MSP - 263-2374

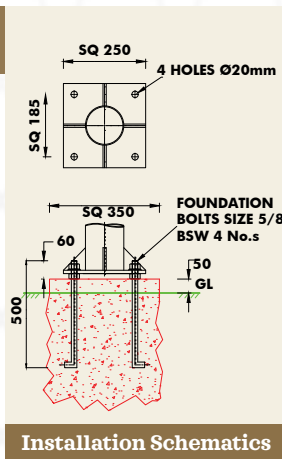


DESCRIPTION

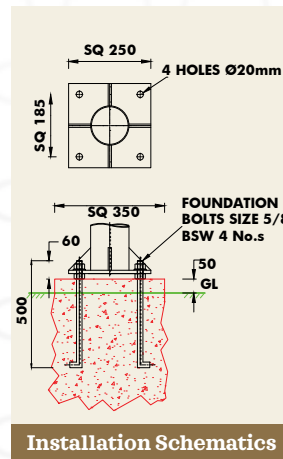
Mild steel Base plate & Pole, Cast Aluminium Embellishments, Spun Aluminium Lighting Fixture, Mild Steel bottom fixture support, silicon rubber gasket, stainless steel screws, Polycarbonate diffuser, corrosion and UV ray resistant coating.

LED WATTAGE

54/75/83/110W



Installation Schematics



Installation Schematics

DESCRIPTION

Mild steel Base plate & Pole, Cast Aluminium Embellishments, Cast Aluminium Lighting fixture, Silicon & EPDM rubber gasket, stainless steel screw, polycarbonate diffuser (outer) and polystyrene (inner) corrosion and UV ray resistant coating.

LED WATTAGE

30W

LUMINAIRE IP RATING (OPTICAL AREA) - IP 66

ALL SIZES ARE IN MM

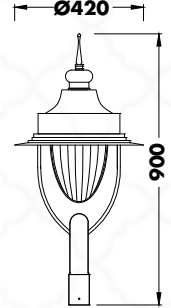
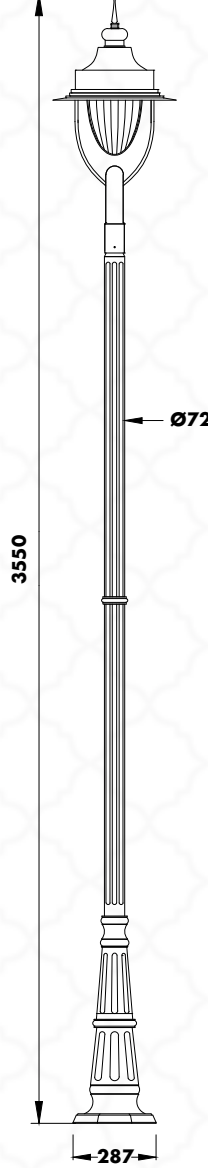
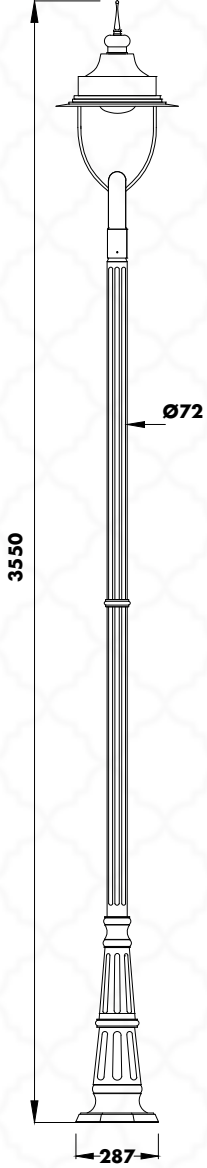
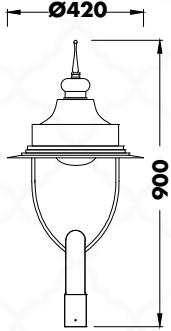
HL-CIP-231-2354

HL-CIP-231-2355



HL - 2354

HL - 2355

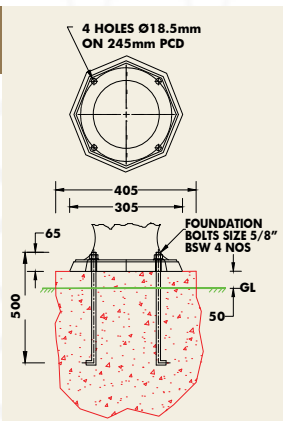


DESCRIPTION

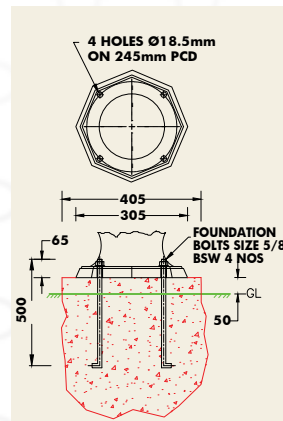
Cast iron Pedestal , Grooved Mild steel column , Cast & Spun Aluminium Lighting fixture, Mild steel bottom fixture support, Silicon rubber gasket, stainless steel screw, Acrylic diffuser, corrosion and UV ray resistant coating.

LED WATTAGE

24/36W



Installation Schematics



Installation Schematics

DESCRIPTION

Cast iron Pedestal , Grooved Mild steel column , Cast & Spun Aluminium Lighting fixture, Mild steel bottom fixture support, Silicon rubber gasket, stainless steel screw, Acrylic diffuser, corrosion and UV ray resistant coating.

LED WATTAGE

24/36W

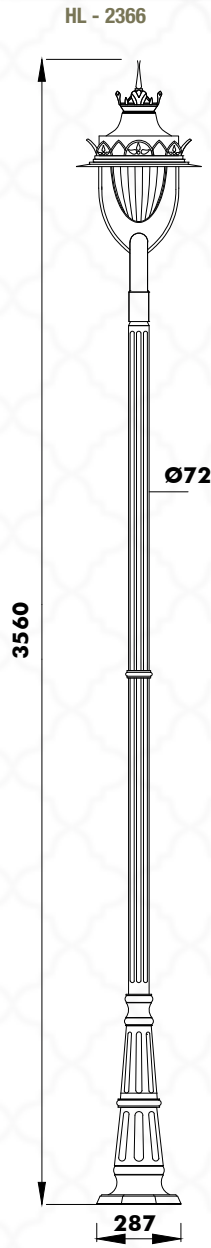
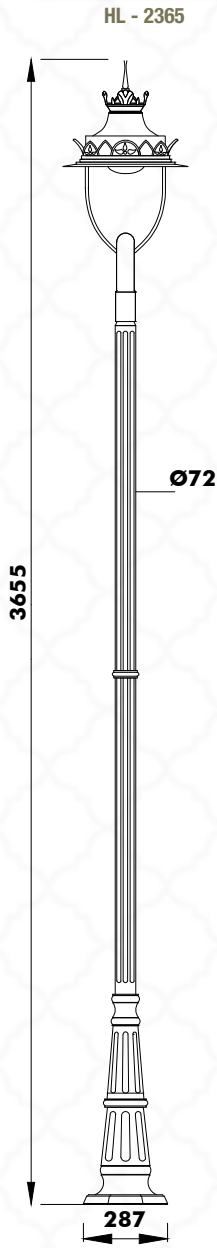
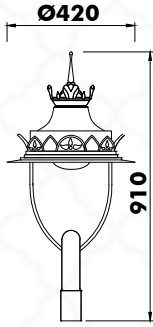
LUMINAIRE IP RATING (OPTICAL AREA) - IP 66



HL-CIP-231-2365



HL-CIP-231-2366

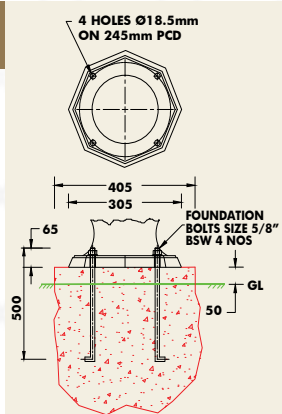


DESCRIPTION

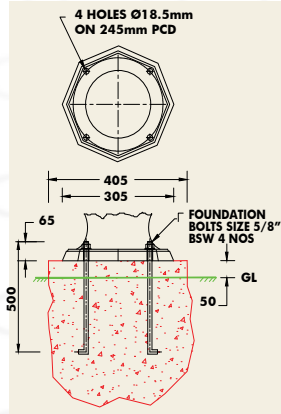
Cast iron Pedestal , Grooved Mild steel column , Cast & Spun Aluminium Lighting fixture, Mild steel bottom fixture support, Silicon rubber gasket, stainless steel screw, Acrylic diffuser, corrosion and U.V ray resistant coating.

LED WATTAGE

24/36W



Installation Schematics



Installation Schematics

DESCRIPTION

Cast iron Pedestal , Grooved Mild steel column , Cast & Spun Aluminium Lighting fixture, Mild steel bottom fixture support, Silicon rubber gasket, stainless steel screw, Acrylic diffuser, corrosion and U.V ray resistant coating.

LED WATTAGE

24/36W

LUMINAIRE IP RATING (OPTICAL AREA) - IP 66

ALL SIZES ARE IN MM

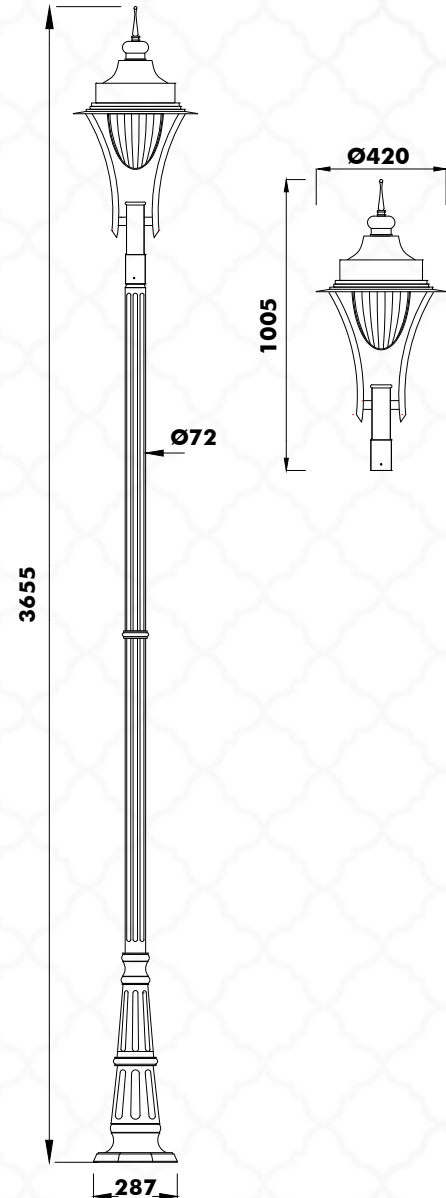
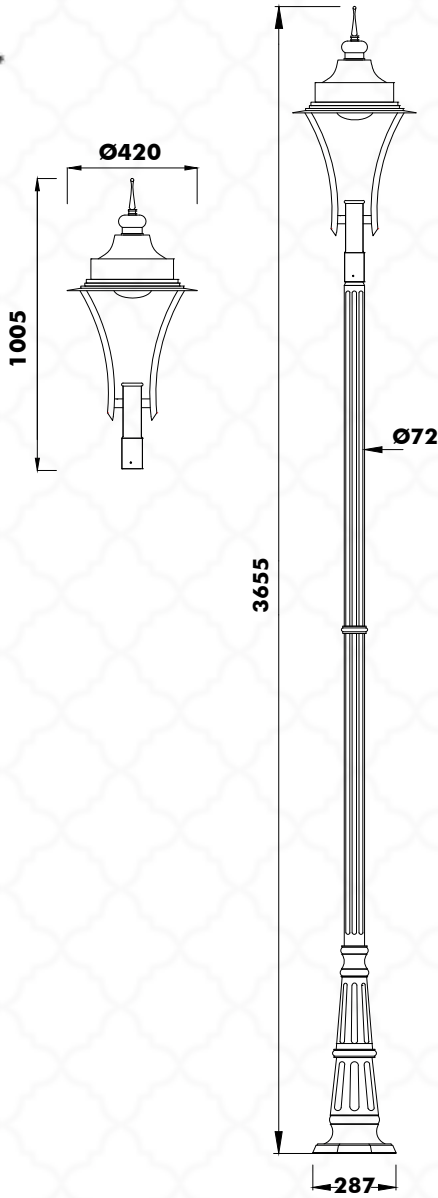
HL-CIP-231-2398

HL-CIP-231-2399



HL - 2398

HL - 2399

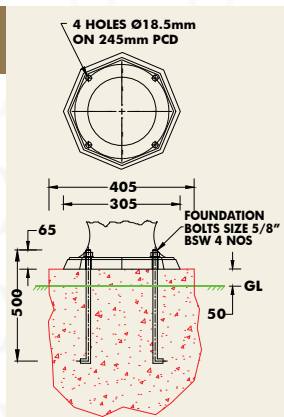


DESCRIPTION

Cast iron Pedestal, Grooved Mild steel column , Cast & Spun Aluminium Lighting fixture, Mild steel bottom fixture support ,Silicon rubber gasket, stainless steel screw, Acrylic diffuser, corrosion and UV ray resistant coating.

LED WATTAGE

24/36W



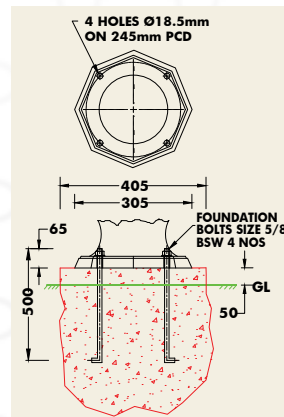
Installation Schematics

DESCRIPTION

Cast iron Pedestal, Grooved Mild steel column , Cast & Spun Aluminium Lighting fixture, Mild steel bottom fixture support ,Silicon rubber gasket, stainless steel screw, Acrylic diffuser, corrosion and UV ray resistant coating.

LED WATTAGE

24/36W



Installation Schematics

LUMINAIRE IP RATING (OPTICAL AREA) - IP 66



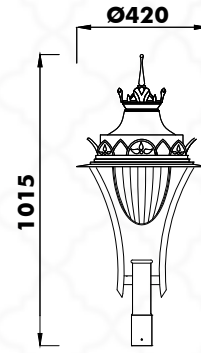
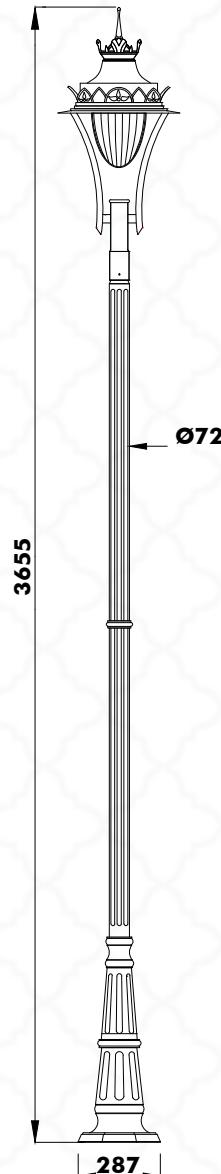
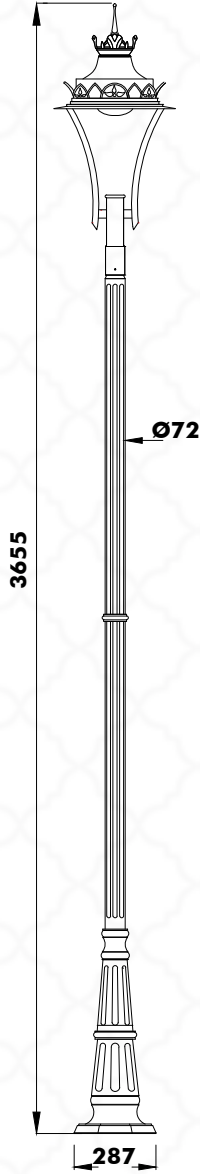
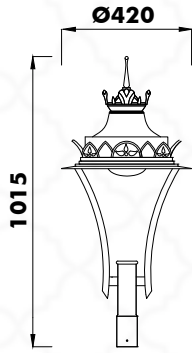
HL-CIP-231-2401



HL - 2401

HL - 2402

HL-CIP-231-2402

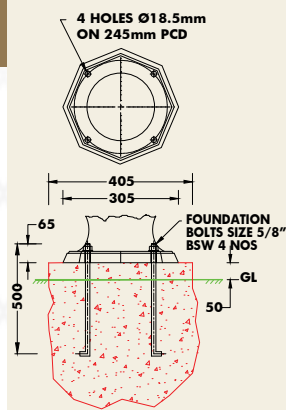


DESCRIPTION

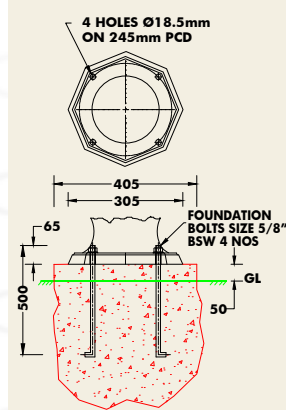
Cast iron Pedestal, Grooved Mild steel column , Cast & Spun Aluminium Lighting fixture, Mild steel bottom fixture support ,Silicon rubber gasket, stainless steel screw, Acrylic diffuser, corrosion and U.V ray resistant coating.

LED WATTAGE

24/36W



Installation Schematics



Installation Schematics

DESCRIPTION

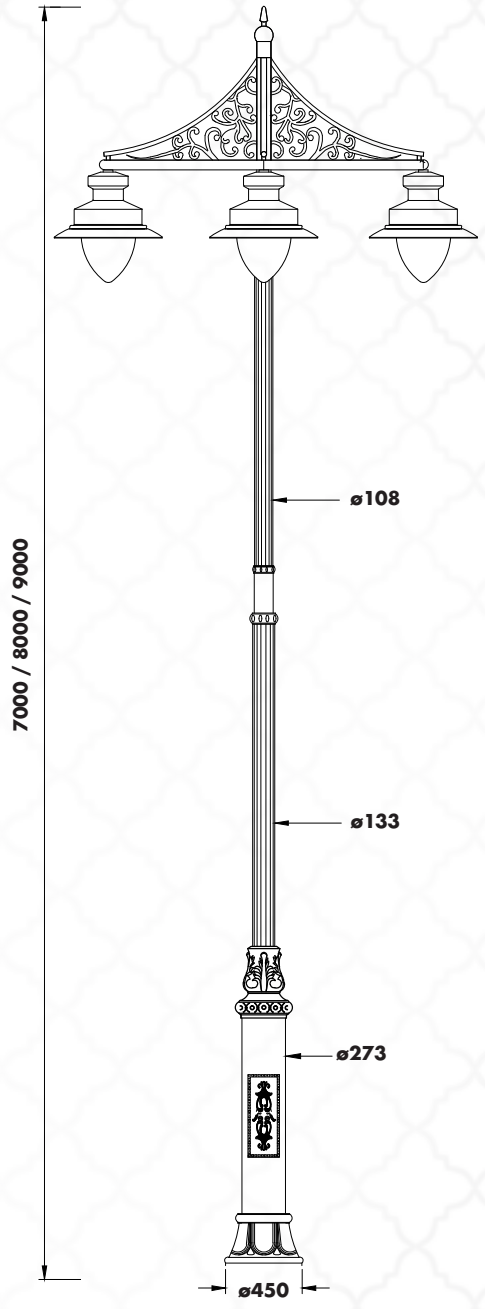
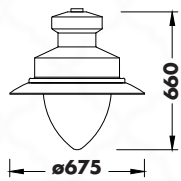
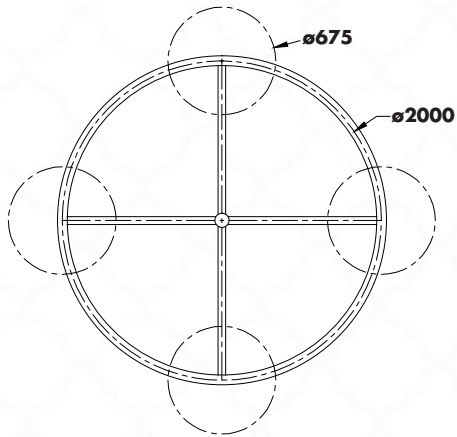
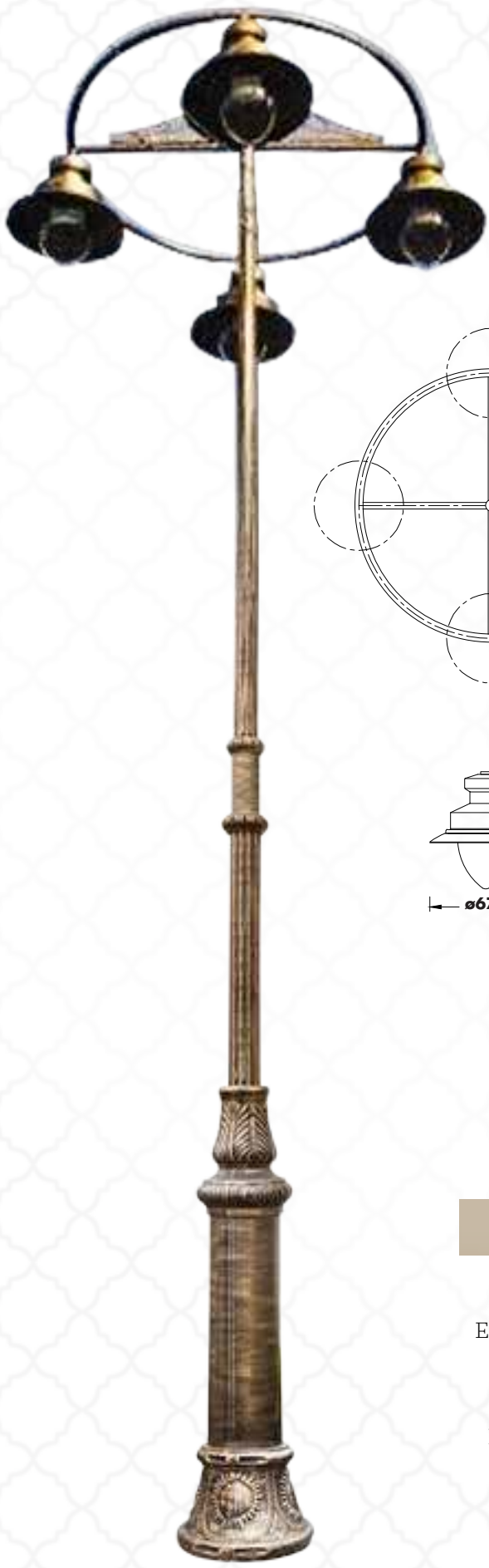
Cast iron Pedestal, Grooved Mild steel column , Cast & Spun Aluminium Lighting fixture, Mild steel bottom fixture support ,Silicon rubber gasket, stainless steel screw, Acrylic diffuser, corrosion and U.V ray resistant coating.

LED WATTAGE

24/36W

LUMINAIRE IP RATING (OPTICAL AREA) - IP 66

ALL SIZES ARE IN MM

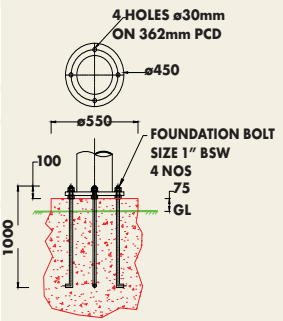


DESCRIPTION

Mild steel Base plate , Mild steel Tubular and Grooved pole , Cast iron Embellishments , Bracket made of mild steel & cast Iron / Aluminium , Spun Aluminium Lighting fixture, Silicon rubber gasket, stainless steel screw, Polycarbonate diffuser, corrosion and U.V ray resistant coating.

LED WATTAGE

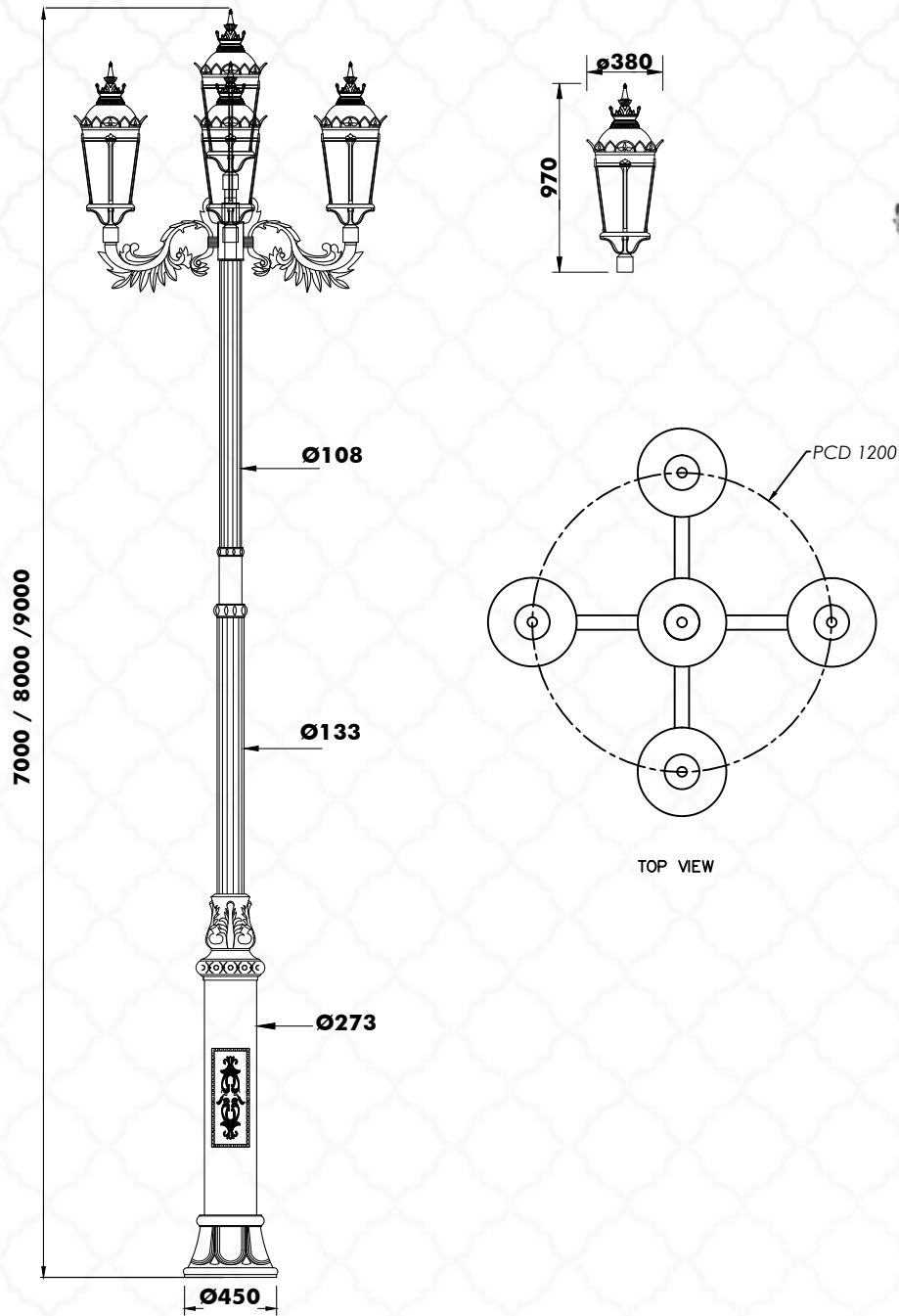
4 X(54/75/83/110w)



Installation Schematics

LUMINAIRE IP RATING (OPTICAL AREA) - IP 66

ALL SIZES ARE IN MM

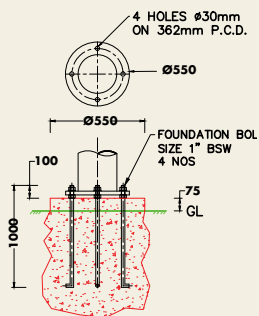


DESCRIPTION

Mild steel Base plate , Mild steel Tubular and Grooved pole , Cast iron Embellishments , Bracket made of mild steel & cast aluminium, Cast & Spun Aluminium Lighting fixture, Silicon rubber gasket, stainless steel screw, Polycarbonate diffuser, corrosion and U.V ray resistant coating.

LED WATTAGE

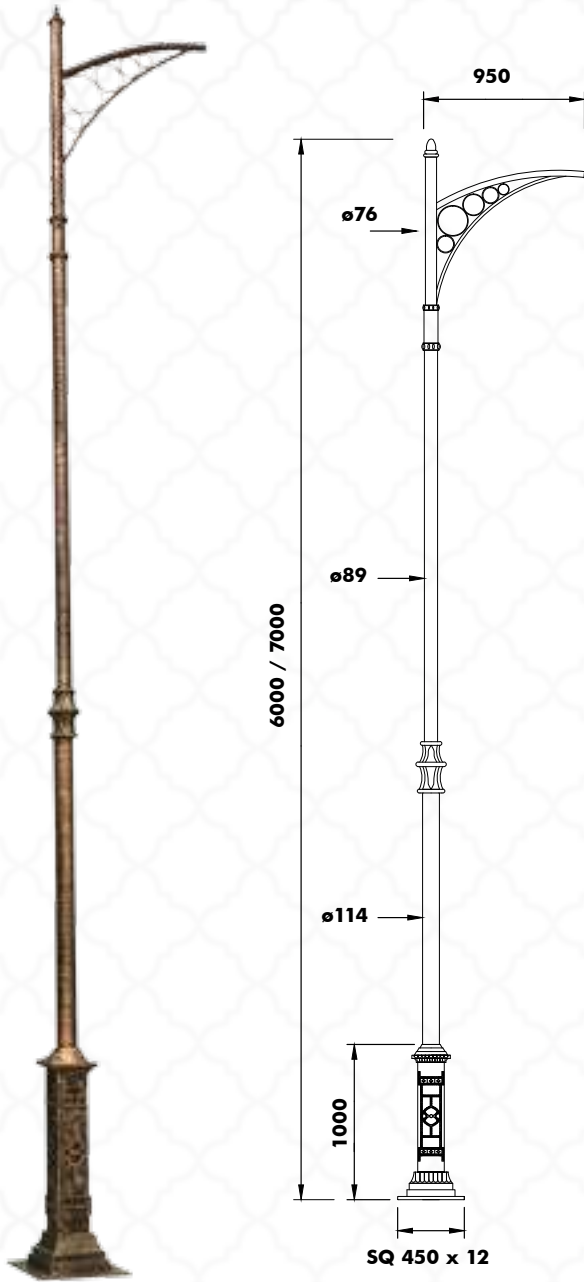
5X54 W



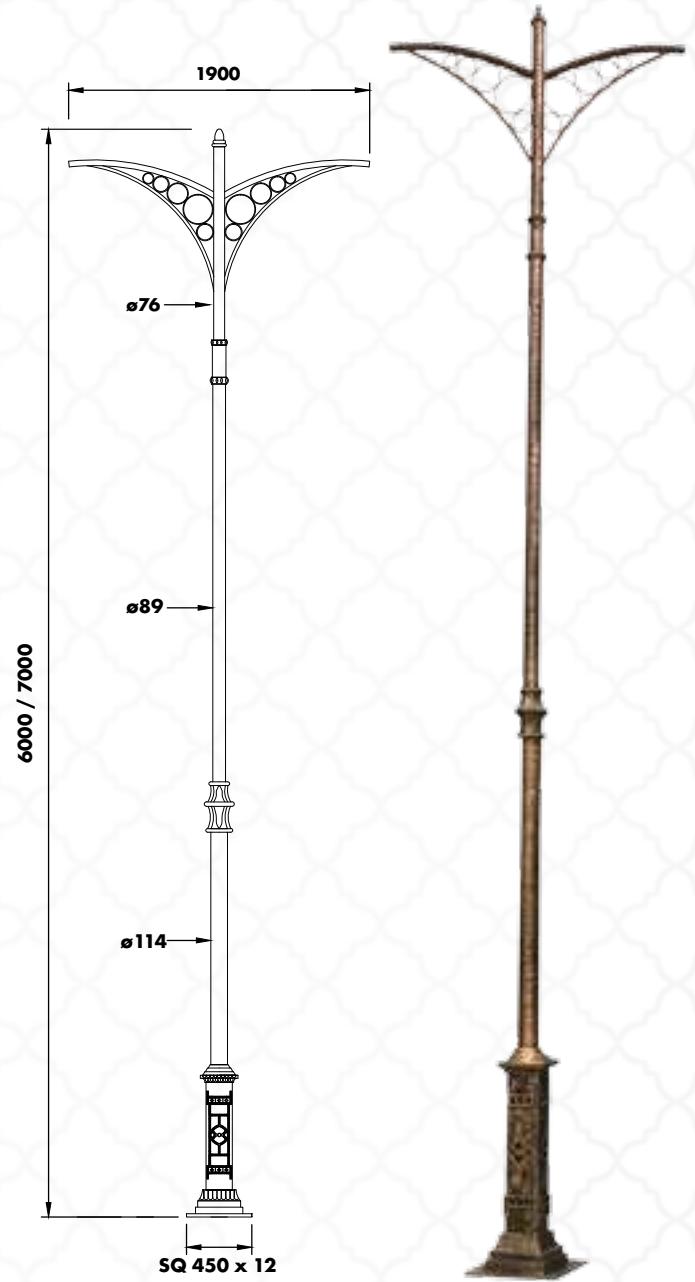
Installation Schematics

LUMINAIRE IP RATING (OPTICAL AREA) - IP 66

HL - 2871

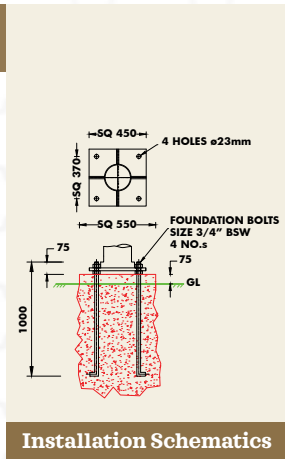


HL- 2872



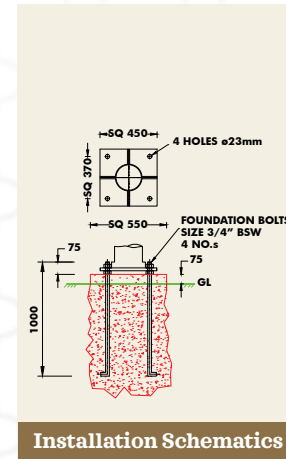
DESCRIPTION

Mild steel Base plate, pole & Bracket, Cast iron embellishments, corrosion and U.V ray resistant coating .



DESCRIPTION

Mild steel Base plate, pole & Bracket , Cast iron embellishments, corrosion and U.V ray resistant coating .



* Height of pole can be changed according to customer's requirements.



Outdoor Lighting Series



HL-1662



HL-1652



HL-1292



HL-2190



HL-2650



HL-2655



HL-2LPM 2650



HL-1650



HL-1668



HL-1LPS 2650



HL-4LPB2650

CODE NO.	WIDTH	HEIGHT	EXTENSION	INSTALLATION SCHEMATIC/BASE I.D
HL - 1292	280	590	CL- 375	-
HL - 1652	240	495	CL- 375	-
HL - 1662	200	415	CL- 375	-
HL - 1668	200	505	225	-
HL - 4LPB2650	800ø	3030	-	Figure - 8
HL - 1650	240	720	335	-
HL - 2190	280	660	-	74ø
HL - 2650	240	530	-	74ø
HL - 2655	200	420	-	62ø
HL - 2LPM2650	665	1160	-	Figure - 10
HL - 1LPS2650	240	1255	-	Figure - 11

DESCRIPTION : Cast Aluminium Lighting Fixtures, Stainless Steel Screws, Corrosion and UV Ray Resistant Coating, Sand Blasted Glass Diffuser.

• Use Lamp - Retrofit LED • CL - Chain Length • All sizes are in mm



HL-2140



HL-2150



HL-2175



HL-1272



HL-1242



HL-3LPB 2150



HL-1LPS 2150



HL-1278



HL-1248



HL- 2LPM 2140

CODE NO.	WIDTH	HEIGHT	EXTENSION	INSTALLATION SCHEMATIC/BASE I.D
HL - 1242	215	340	CL- 375	-
HL - 1248	215	440	235	-
HL - 1272	260	415	CL- 375	-
HL - 1278	260	550	260	-
HL - 3LPB2150	910ø	2720	-	Figure - 8
HL - 2140	215	425	-	74ø
HL - 2150	260	490	-	74ø
HL - 2175	365	685	-	81ø
HL - 2LPM2140	650	1160	-	Figure - 10
HL - 1LPS2150	260	1215	-	Figure - 11

DESCRIPTION : Cast Aluminium Lighting Fixtures, Stainless Steel Screws, Corrosion and UV Ray Resistant Coating, Sand Blasted Glass Diffuser.

• Use Lamp - Retrofit LED • CL - Chain Length • All sizes are in mm



HL-1162



HL-1282



HL-1165



HL-1168



HL-2160



HL-2120



HL- 2LPM 2120



HL-1288



HL-1285



HL-1LPS 2160

HL-3LPB 2160

CODE NO.	WIDTH	HEIGHT	EXTENSION	INSTALLATION SCHEMATIC/BASE I.D
HL - 1162	200	365	CL- 375	-
HL - 1168	200	405	220	-
HL - 1282	280	495	CL- 375	-
HL - 1288	280	590	290	-
HL - 3LPB2160	780	3030	-	Figure - 8
HL - 1165	200	405	220	-
HL - 1285	280	590	290	-
HL - 2120	200	400	-	71ø
HL - 2160	280	530	-	71ø
HL - 2LPM 2120	545	1370	-	Figure - 10
HL - 1LPS 2160	280	1255	-	Figure - 11

DESCRIPTION : Cast Aluminium Lighting Fixtures, Stainless Steel Screws, Corrosion and UV Ray Resistant Coating, Sand Blasted Glass Diffuser.

• Use Lamp - Retrofit LED • CL - Chain Length • All sizes are in mm



HL-2605



HL-1607



HL-2615



HL-1612



HL-1602



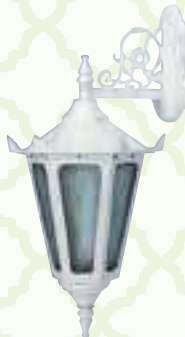
HL-3LPB 2615



HL-1608



HL-2LPM 2605



HL-1605



HL-1LPS 2605

CODE NO.	WIDTH	HEIGHT	EXTENSION	INSTALLATION SCHEMATIC/BASE I.D
HL - 1602	250	410	CL- 375	-
HL - 1607	255	390	120	-
HL - 1608	250	525	260	-
HL - 1612	315	610	CL- 375	-
HL - 3LPB 2615	1000	3050	-	Figure - 8
HL - 1605	250	525	260	-
HL - 2605	250	450	-	63ø
HL - 2615	315	600	-	78ø
HL - 2LPM 2605	645	1400	-	Figure - 10
HL - 1LPS 2605	250	1180	-	Figure - 11

DESCRIPTION : Cast Aluminium Lighting Fixtures, Stainless Steel Screws, Corrosion and UV Ray Resistant Coating, Glass Diffuser.

• Use Lamp - Retrofit LED • CL - Chain Length • All sizes are in mm



HL-1712



HL-1711



HL-1717



HL-2715



HL-2710



HL-2740



HL-2LPM 2715



HL-1718



HL-1715



HL-3LPB 2715



HL-1LPS 2715

CODE NO.	WIDTH	HEIGHT	EXTENSION	INSTALLATION SCHEMATIC/BASE I.D
HL - 1717	210	350	110	-
HL - 2715	250	505	-	Figure - II
HL - 2710	335	680	-	Figure - 10
HL - 2740	455	860	-	Figure - 12
HL - 3LPB 2715	790ø	2765	-	Figure - 8
HL - 1711	335	560	CL- 375	-
HL - 1712	250	440	CL- 375	-
HL - 1715	250	490	280	-
HL - 1718	250	490	280	-
HL - 1LPS 2715	250	1185	-	Figure - II
HL - 2LPM 2715	655	1455	-	Figure - 10

DESCRIPTION : Cast Aluminium Lighting Fixtures, Stainless Steel Screws, Corrosion and UV Ray Resistant Coating, Sand Blasted Glass Diffuser.

• Use Lamp - Retrofit LED • CL - Chain Length • All sizes are in mm



HL-2625



HL-2685



HL-2695



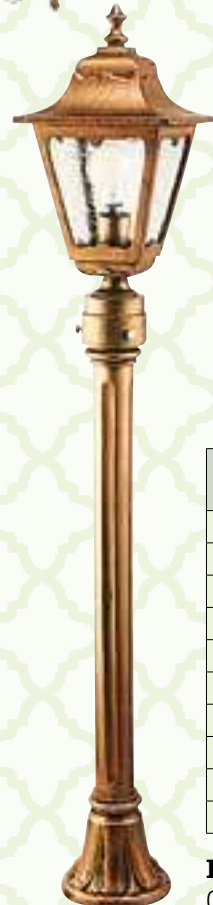
HL-1682



HL-1622



HL-2LPB 2685



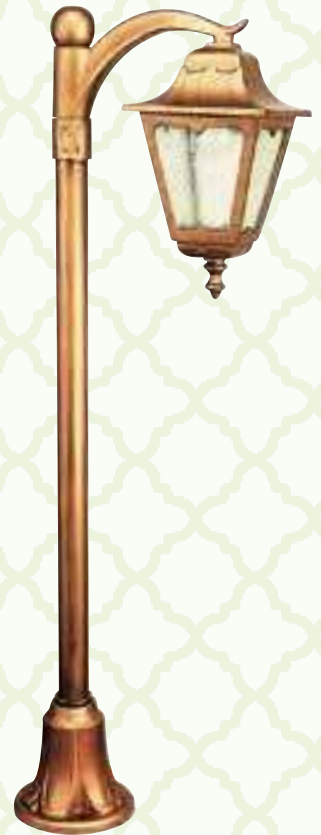
HL-1LPS 2625



HL-1628



HL-1625



HL- 1LPM 2625

CODE NO.	WIDTH	HEIGHT	EXTENSION	INSTALLATION SCHEMATIC/BASE I.D
HL - 1625	195	425	250	-
HL - 1628	195	425	250	-
HL - 2695	310	630	-	78ø
HL - 1LPS2625	195	1140	-	Figure - II
HL - 1LPM2625	410	1160	-	Figure - 10
HL - 1622	195	370	CL- 375	-
HL - 1682	250	480	CL- 375	-
HL - 2625	195	415	-	73ø
HL - 2685	250	535	-	76ø
HL - 2LPB2685	930	2655	-	Figure - 8

DESCRIPTION : Cast Aluminium Lighting Fixtures, Stainless Steel Screws, Corrosion and UV Ray Resistant Coating, Glass Diffuser.

• Use Lamp - Retrofit LED • CL - Chain Length • All sizes are in mm



HL-1722



HL-1721



HL-2720



HL-2725



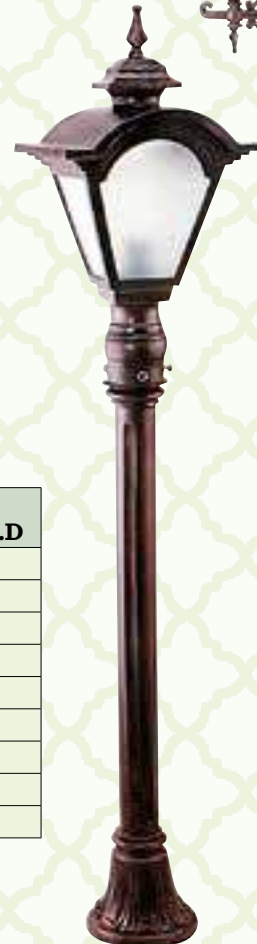
HL-2LPM 2725



HL-1725



HL-1728



HL-1LPS 2725



HL-3LPB 2725

CODE NO.	WIDTH	HEIGHT	EXTENSION	INSTALLATION SCHEMATIC/BASE I.D
HL - 1721	290x325	545	CL- 375	-
HL - 1722	240x265	365	CL- 375	-
HL - 1725	240	505	345	-
HL - 1728	240	540	345	-
HL - 3LPB2725	925	2860	-	Figure - 8
HL - 2720	290x325	545	-	76ø
HL - 2725	240x265	455	-	64ø
HL - 1LPS2725	240	1190	-	Figure - II
HL - 2LPM2725	675	1160	-	Figure - 10

DESCRIPTION : Cast Aluminium Lighting Fixtures, Stainless Steel Screws, Corrosion and UV Ray Resistant Coating, Sand Blasted Glass Diffuser.

• Use Lamp - Retrofit LED • CL - Chain Length • All sizes are in mm



HL-1732



HL-1731



HL- 2730



HL-2735



HL-4LPB 2735



HL-1738



HL-2LPM 2735



HL-1LPS 2735



HL-1735

CODE NO.	WIDTH	HEIGHT	EXTENSION	INSTALLATION SCHEMATIC/BASE I.D
HL - 1731	310	475	CL- 375	-
HL - 1732	230	380	CL- 375	-
HL - 1735	230	445	295	-
HL - 1738	230	445	295	-
HL - 4LPB2735	700	2655	-	Figure - 8
HL - 2730	310	615	-	Figure - 10
HL - 2735	230	455	-	Figure - II
HL - 1LPS2735	230	1125	-	Figure - II
HL - 2LPM2735	640	1400	-	Figure - 10

DESCRIPTION : Cast Aluminium Lighting Fixtures, Stainless Steel Screws, Corrosion and UV Ray Resistant Coating, Sand Blasted Glass Diffuser.

• Use Lamp - Retrofit LED • CL - Chain Length • All sizes are in mm



HL-1702



HL-1642



HL-2705



HL-2645



HL-2LPM 2705



HL-1705



HL-1708



HL-3LPB 2645



HL-1LPS 2705

CODE NO.	WIDTH	HEIGHT	EXTENSION	INSTALLATION SCHEMATIC/BASE I.D
HL - 1642	275	500	CL- 375	-
HL - 1702	220	370	CL- 375	-
HL - 1705	220	440	235	-
HL - 1708	220	440	235	-
HL - 3LPB2645	920ø	2750	-	Figure - 8
HL - 2645	275	525	-	74ø
HL - 2705	220	380	-	62ø
HL - 1LPS2705	220	1125	-	Figure - II
HL - 2LPM2705	520	1375	-	Figure - IO

DESCRIPTION : Cast Aluminium Lighting Fixtures, Stainless Steel Screws, Corrosion and UV Ray Resistant Coating, Sand Blasted Glass Diffuser.

• Use Lamp - Retrofit LED • CL - Chain Length • All sizes are in mm

ALL SIZES ARE IN MM



HL-1792



HL-1752



HL-2790



HL-2750



HL-1LPB 2750



HL-1LPS 2790



HL-1750



HL-1790



HL-2LPM 2790

CODE NO.	WIDTH	HEIGHT	EXTENSION	INSTALLATION SCHEMATIC/BASE I.D
HL - 1750	260	740	450	-
HL - 2790	170	520	-	Figure - 29
HL - 2750	260	740	-	Figure - 28
HL - 1LPB2750	260	2820	-	Figure - 8
HL - 1792	170	415	CL - 375	-
HL - 1752	260	570	CL - 375	-
HL - 1790	170	530	225	-
HL - 1LPS 2790	170	1210	-	Figure - 11
HL - 2LPM 2790	580	1160	-	Figure - 10

DESCRIPTION : Cast Aluminium Lighting Fixtures, SS Glass Strips, Stainless Steel Screws, Corrosion and UV Ray Resistant Coating, Acrylic Diffuser.

• Use Lamp - Retrofit LED • CL - Chain Length • All sizes are in mm



HL-2105



HL-1112



HL-CIP-231-2105



HL-2110



HL-1LPS-2110



HL-1118



CODE NO.	WIDTH	HEIGHT	EXTENSION	LED	INSTALLATION SCHEMATIC/BASE I.D	DESCRIPTION
HL - 1112	235	430	CL-375	18 W	-	Cast & Spun Aluminium Lighting Fixtures, Stainless Steel, Screws, Corrosion and UV Ray Resistant Coating, Poly Carbonate Diffuser
HL - 1118	235	575	330	18W	-	
HL - 2105	310	790	-	28/36/54W	71ø	
HL - 2110	235	470	-	18W	55ø	
HL-1LPS-2110	235	1195	-	18W	Figure - 11	
HL-CIP-231-2105	310	3715	-	28/36/54W	Figure - 08	

HL-CIP-231-2105 - Grooved mild steel pole, Cast iron Base

LUMINAIRE IP RATING (OPTICAL AREA) - IP 66



Post Top Lights
Decorative Street Lights
Wall Lights

POST TOP LIGHTS

HOMDEC®
Lighting

HL-2355



HL-2365



HL-2366



HL-2354



HL-2401



HL-2398



HL-2399



HL-2402



HL-2302



LUMINAIRE IP RATING (OPTICAL AREA) - IP 66

CODE NO.	WIDTH	HEIGHT	LED	INSTALLATION SCHEMATIC/BASE I.D	DESCRIPTION
HL - 2355	ø420	900	24/36 W	67ø	Cast & Spun Aluminium Lighting fixture, Mild steel bottom structure, Silicon rubber gasket, Stainless steel screw, Acrylic diffuser, Corrosion and U.V ray resistant coating
HL - 2365	ø420	910	24/36 W	67ø	
HL - 2366	ø420	910	24/36 W	67ø	
HL - 2354	ø420	900	24/36 W	67ø	
HL - 2401	ø420	1005	24/36 W	67ø	
HL - 2398	ø420	1005	24/36 W	67ø	
HL - 2399	ø420	1005	24/36 W	67ø	
HL - 2402	ø420	1005	24/36 W	67ø	
HL - 2302	ø500	795	36/54W	67ø	

POST TOP LIGHTS



LUMINAIRE IP RATING (OPTICAL AREA) - IP 66

CODE NO.	WIDTH	HEIGHT	LED	INSTALLATION SCHEMATIC/BASE I.D	DESCRIPTION
HL - 2919	485	1085	36/54/75 W	Figure - 12	Cast Aluminium Lighting fixture, Silicon rubber gasket, Stainless steel screw, Polycarbonate diffuser, Corrosion and U.V ray resistant coating.
HL - 2307	360	730	30/36 W	63ø	
HL - 2303	435	845	36/54/75W	78ø	
HL - 2620	280	780	30/36 W	Figure - 15	
HL - 2374	330	650	30 W	63ø	
HL - 2395	330X330	720	42/54 W	78	
HL - 2382	440	1000	54/ 75/ 83/ 110 W	78ø	
HL - 2372	435	860	54/75/83 W	78ø	

POST TOP LIGHTS

HL-2387



HL-2385



HL-2373



HL-2383



HL-2313



HL-2314



DECORATIVE STREET LIGHTS

HL-2361



HL-2362



HL-2360



LUMINAIRE IP RATING (OPTICAL AREA) - IP 66

CODE NO.	WIDTH	HEIGHT	LED	INSTALLATION SCHEMATIC/BASE I.D	DESCRIPTION
HL - 2387	450	1150	42/54/75 W	63ø	Cast & Spun Aluminium Lighting fixture, Silicon rubber gasket, stainless steel screw, polycarbonate / Acrylic diffuser, corrosion and U.V ray resistant coating
HL - 2385	445X445	950	36/54 W	63ø	
HL - 2373	ø675	825	54/75/83/110 W	67ø	
HL - 2383	ø560	875	36/54 W	78ø	
HL - 2313	ø380	970	36/54 W	63ø	
HL - 2314	ø380	970	36/54 W	63ø	
HL - 2361	ø420	290	24/36 W	-	
HL - 2362	ø420	450	24/36 W	-	
HL - 2360	ø450	550	36/54 W	-	

DECORATIVE STREET LIGHTS



LUMINAIRE IP RATING (OPTICAL AREA) - IP 66

CODE NO.	WIDTH	HEIGHT	LED	DESCRIPTION
HL-2389	ø470	660	54/75/83 W	Cast & Spun Aluminium Lighting Fixtures, Stainless Steel, Screws, Corrosion and UV Ray Resistant Coating, Acrylic/Polycarbonate / Toughened Glass Diffuser
HL-2318	ø675	660	54/75/83/110 W	
HL-2957	ø725	440	36/54 W	
HL-2386	445X445	775	54/75/83 W	
HL-2927	ø450	380	30 W	
HL-2329	ø525	515	54/75/83/110 W	
HL-2371	435	800	54/75/83 W	
HL-2357	ø420	240	24/36 W	
HL-2358	ø420	400	24/36 W	

HL-2927 - IP 54

WALL LIGHTS



HL-1212



HL-1213



HL-1717



HL-1214



HL-1215



HL-1607



HL-1239



HL-1240



Mild steel Bracket,
Polycarbonate & PS Diffuser

HL-1239 /1240 - LUMINAIRE IP RATING (OPTICAL AREA) - IP 66

CODE NO.	WIDTH	HEIGHT	EXTENSION	LED	DESCRIPTION
HL - 1212	200	230	110	Retrofit LED	Cast Aluminium Lighting Fixtures, Stainless Steel, Screws, Corrosion and UV Ray Resistant Coating
HL - 1213	160	220	110	Retrofit LED	
HL - 1717	210	350	110	Retrofit LED	
HL - 1214	155	320	90	Retrofit LED	
HL - 1215	160	200	90	Retrofit LED	
HL - 1607	255	390	120	Retrofit LED	
HL - 1239	330	825	435	30 W	
HL - 1240	330	710	620	30 W	

Note: HL-1212 /1213 /1215 - Acrylic Diffuser / CRC Back plate • HL-1717 /1607 /1214 - Glass Diffuser



Bollard Lights

BOLLARD LIGHTS



CODE NO.	WIDTH	HEIGHT	LAMP	INSTALLATION SCHEMATIC/BASE I.D	DESCRIPTION
HL - 2101	275	1225	RETROFIT LED	Figure - 8	Cast Aluminium Lighting Fixtures, Stainless Steel Screws, Corrosion and UV Ray Resistant Coating.
HL - 2270	200ø	945	RETROFIT LED	Figure - 1	
HL - 2898	275	1000	RETROFIT LED	Figure - 11	
HL - 2905	275	550	RETROFIT LED	Figure - 11	
HL - 2906	275	960	RETROFIT LED	-	

Note: HL-2905/HL-2898/HL-2906 - Polycarbonate Diffuser
 HL-2101 - Acrylic Diffuser • HL-2270 - Acrylic Diffuser, Material - Mild Steel & Cast Iron



HL - 2801 / HL - 2803 LUMINAIRE IP RATING (OPTICAL AREA) - IP 66

CODE NO.	WIDTH	HEIGHT	LED	INSTALLATION SCHEMATIC/BASE I.D	DESCRIPTION
HL-2801	310	1550	28/36W	Figure-39	Cast Aluminium lighting fixture, Stainless steel screws, Acrylic / Polycarbonate Diffuser, Corrosion & U.V RAY Resistant coating
HL-2802	290	1665	Retrofit LED	Figure-40	
HL-2803	250	1220	18W	Figure-39	
HL-2804	275	975	Retrofit LED	Figure-9	
HL-2996	275	1245	Retrofit LED	Figure-48	

Note: HL-2996 - Grooved Mild Steel Column.

HL-2801/HL-2803/HL-2804 - Cast Aluminium Column • HL-2802 - Cast Iron Column



Lighting Poles

LIGHTING POLES

HL-ALP-215



HL-ALP-202



HL-ALP-203



HL-ALP-219



HL-CIP-265



HL-ALP-201



CODE NO.	HEIGHT	INSTALLATION SCHEMATIC/BASE I.D	DESCRIPTION
HL - ALP - 215	765	Figure - 8	Cast Aluminium / Cast Iron Poles, Corrosion and UV Ray Resistant Coating.
HL - ALP - 201	780	Figure - 11	
HL - ALP - 202	920	Figure - 10	
HL - ALP - 203	1660	Figure - 12	
HL - ALP - 219	2000	Figure-39	
HL-CIP-265	3200 / 3900	Figure-56	

* Height of pole can be changed according to customer's requirements.

LIGHTING POLES



CODE NO.	HEIGHT	INSTALLATION SCHEMATIC/BASE I.D	DESCRIPTION
HL - ALP - 204	1900	Figure - 9	Cast Aluminium / Cast Iron Poles, Corrosion and UV Ray Resistant Coating.
HL - ALP - 205	2165	Figure - 8	
HL - ALP - 206	2300	Figure - 6	
HL - ALP - 207	3000	Figure - 6	

* Height of pole can be changed according to customer's requirements.

HL-CIP-218



HL-CIP-216



HL-CIP-210



HL-CIP-212



CODE NO.	HEIGHT	INSTALLATION SCHEMATIC/BASE I.D	DESCRIPTION
HL - CIP 218	3000	Figure - 38	Cast Iron Poles, Corrosion and UV Ray Resistant Coating
HL - CIP 210	3000	Figure - 40	
HL - CIP 212	4410	Figure - 5	
HL - CIP 216	2920	Figure - 3	

* Height of pole can be changed according to customer's requirements.



CODE NO.	HEIGHT	INSTALLATION SCHEMATIC/BASE I.D	DESCRIPTION
HL-MSP-211	2925/3925/4925/6000	Figure - 4	Mild Steel Poles, Cast Iron Embellishments Corrosion and UV Ray Resistant Coating
HL-MSP-213	2925/3925/4925/6000	Figure - 4	
HL-MSP-220	2925/3925/4925/6000	Figure- 35	
HL-MSP-251	2500/3000/3500	Figure- 42	
HL-MSP-252	3000/4000/5000	Figure- 43	

NOTE-HL-MSP-252/HL-MSP-251- Grooved Mild Steel Poles

* Height of pole can be changed according to customer's requirements.



CODE NO.	HEIGHT	INSTALLATION SCHEMATIC/BASE I.D	DESCRIPTION
HL-MSP-227	600/1000/1200/1500	Figure- 37	Grooved Mild Steel Poles, Corrosion and UV Ray Resistant Coating
HL-MSP-224	2500/3000/3500	Figure- 2	
HL-MSP-226	2925/3925	Figure-36	
HL-MSP-261	3000	Figure-57	
HL-CIP-231	3000	Figure-8	

NOTE-HL-MSP-224/MSP-226- Cast Iron Embellishments, HL-CIP-231- Cast Iron Pedestal, HL-MSP-261 - Cast Iron / Aluminium Pedestal

* Height of pole can be changed according to customer's requirements.



CODE NO.	HEIGHT	INSTALLATION SCHEMATIC/BASE I.D	DESCRIPTION
HL- MSP-243	3000/4000/5000	Figure - 3	Mild steel pole, cast iron embellishments, cast iron Pedestals corrosion & U.V rays resistant coating.
HL-MSP-245	3000/4000/5000	Figure - 38	
HL-MSP-247	3000/4000/4500/5000/5500	Figure - 3	
HL-MSP-258	3000/ 3500/ 4000/ 4500/ 5000/ 5500	Figure - 54	

NOTE-HL-MSP-245/ HL-MSP-258/ HL-MSP-247 - Grooved Mild Steel Poles

* Height of pole can be changed according to customer's requirements.



CODE NO.	HEIGHT	INSTALLATION SCHEMATIC/BASE I.D	DESCRIPTION
HL-MSP-264	2900 / 3900	Figure - 58	Mild Steel Pole & Base Plate, Cast iron Embellishments, corrosion and U.V ray resistant coating
HL- MSP-262	2425/2925/3925	Figure - 35	
HL-MSP-263	2425/2925/3925	Figure - 35	
HL-MSP-259	3000/ 4000/ 5000	Figure - 59	
HL-MSP-255	6000 / 7000/ 8000/ 9000	Figure - 55	

Note: HL-MSP-259 - Cast Steel Base Plate

HL-MSP-262, HL-MSP-263 - Cast Aluminium Embellishments

* Height of pole can be changed according to customer's requirements.



CODE NO.	HEIGHT	INSTALLATION SCHEMATIC/BASE I.D	DESCRIPTION
HL-MSP-266	3000/ 3500/ 4000/ 5000/ 6000	Figure - 41	Mild steel Base plate & pole, Cast Iron embellishment , corrosion and U.V ray resistant coating
HL-MSP-268	3000/ / 4000/ / 5000/ 6000	Figure- 35	
HL-MSP-270	6000/ 7000/ 8000	Figure- 60	
HL-MSP-271	5000 / 6000	Figure-61	

Note: HL-MSP-268 - Cast Aluminium Embellishments

* Height of pole can be changed according to customer's requirements.



Pole Brackets

HL-PBKT-101-1



WIDTH	HEIGHT
600	230

HL-PBKT-101-2



WIDTH	HEIGHT
1125	230

HL-PBKT-103-1



WIDTH	HEIGHT
580	1125

HL-PBKT-103-2



WIDTH	HEIGHT
1140	1125

HL-PBKT-104-1



WIDTH	HEIGHT
975	1400

HL-PBKT-104-2



WIDTH	HEIGHT
1910	1400

HL-PBKT-105-1



WIDTH	HEIGHT
760	1100

HL-PBKT-105-2



WIDTH	HEIGHT
1490	1100

HL-PBKT-106-1



WIDTH	HEIGHT
790	1400

HL-PBKT-106-2



WIDTH	HEIGHT
1550	1400

HL-PBKT-107-1



WIDTH	HEIGHT
490	670

HL-PBKT-107-2



WIDTH	HEIGHT
990	670

HL-PBKT-109-1



WIDTH	HEIGHT
555	470

HL-PBKT-109-2



WIDTH	HEIGHT
1030	470

HL-PBKT-110-1



WIDTH	HEIGHT
510	800

HL-PBKT-110-2



WIDTH	HEIGHT
990	800

HL-PBKT-110-3



WIDTH	HEIGHT
Ø990	800

HL-PBKT-111-1



WIDTH	HEIGHT
510	1075

HL-PBKT-111-2



WIDTH	HEIGHT
990	1075

HL-PBKT-112-1



WIDTH	HEIGHT
760	1230

HL-PBKT-112-2



WIDTH	HEIGHT
1490	1230

HL-PBKT-113-1



WIDTH	HEIGHT
1500	1000

HL-PBKT-113-2



WIDTH	HEIGHT
3000	1000

HL-PBKT-114-1



WIDTH	HEIGHT
665	1340

HL-PBKT-114-2



WIDTH	HEIGHT
1195	1340

HL-PBKT-115-1



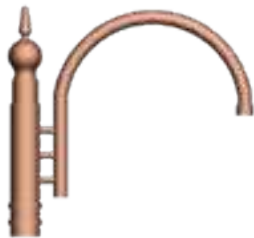
WIDTH	HEIGHT
590	1000

HL-PBKT-115-2



WIDTH	HEIGHT
1080	1000

HL-PBKT-116-1



WIDTH	HEIGHT
790	695

HL-PBKT-116-2



WIDTH	HEIGHT
1535	695

HL-PBKT-117-1



WIDTH	HEIGHT
1075/1575	1100

HL-PBKT-117-2



WIDTH	HEIGHT
2075/3075	1100

HL-PBKT-118-1



WIDTH	HEIGHT
1000/1500	1000

HL-PBKT-118-2



WIDTH	HEIGHT
2000/3000	1000

HL-PBKT-119-1



WIDTH	HEIGHT
1000/1500	1000

HL-PBKT-119-2



WIDTH	HEIGHT
2000/3000	1000

HL-PBKT-122-1



WIDTH	HEIGHT
1000/1500	1100

HL-PBKT-122-2



WIDTH	HEIGHT
2000/3000	1100

HL-PBKT-123-1



WIDTH	HEIGHT
735	825

HL-PBKT-123-2



WIDTH	HEIGHT
1400	825

HL-PBKT-124-1



WIDTH	HEIGHT
735	1500

HL-PBKT-124-2



WIDTH	HEIGHT
1400	1500

HL-PBKT-125-1



WIDTH	HEIGHT
1000/1500	1100

HL-PBKT-125-2



WIDTH	HEIGHT
2000/3000	1100

HL-PBKT-127-1



WIDTH	HEIGHT
665	1000

HL-PBKT-127-2



WIDTH	HEIGHT
1250	1000

HL-PBKT-131-1



WIDTH	HEIGHT
1175	600

HL-PBKT-131-2



WIDTH	HEIGHT
2275	600

HL-PBKT-132-1



WIDTH	HEIGHT
1000	1200

HL-PBKT-132-2



WIDTH	HEIGHT
1910	1200

HL-PBKT-133-1



WIDTH	HEIGHT
665	1000

HL-PBKT-133-2



WIDTH	HEIGHT
1250	1000

HL-PBKT-135-3



WIDTH	HEIGHT
ø560	275

HL-PBKT-136-3



WIDTH	HEIGHT
ø650	310

HL-PBKT-137-2



WIDTH	HEIGHT
500	320

HL-PBKT-138-2



WIDTH	HEIGHT
685	310

HL-PBKT-139-1



WIDTH	HEIGHT
790	1500

HL-PBKT-139-2



WIDTH	HEIGHT
1525	1500

HL-PBKT-146



WIDTH	HEIGHT
870	615

HL-PBKT-148-1



WIDTH	HEIGHT
765	1500

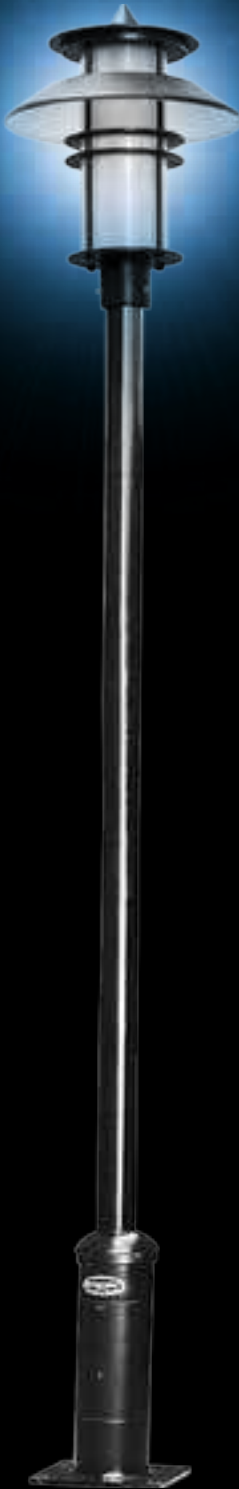
HL-PBKT-148-2



WIDTH	HEIGHT
1525	1500

The logo consists of a red oval containing the text 'HOMDEC' in a bold, white, sans-serif font with a registered trademark symbol (®) to its upper right. Below 'HOMDEC' is the word 'Lighting' in a white, italicized, sans-serif font.

HOMDEC[®]
Lighting



MODERN LIGHTING
COLLECTION



MODERN LIGHTING
COLLECTION

HL - MSP-241-2995

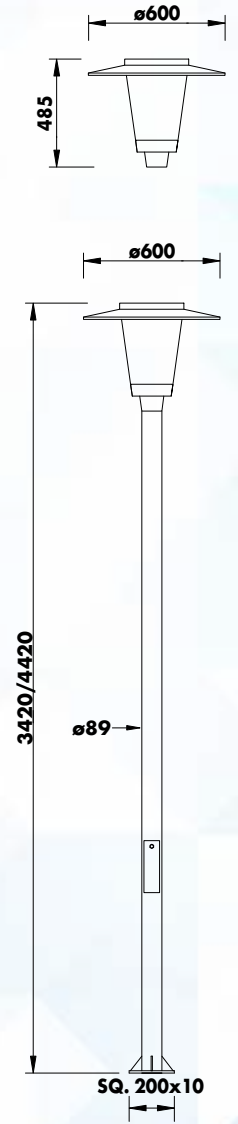
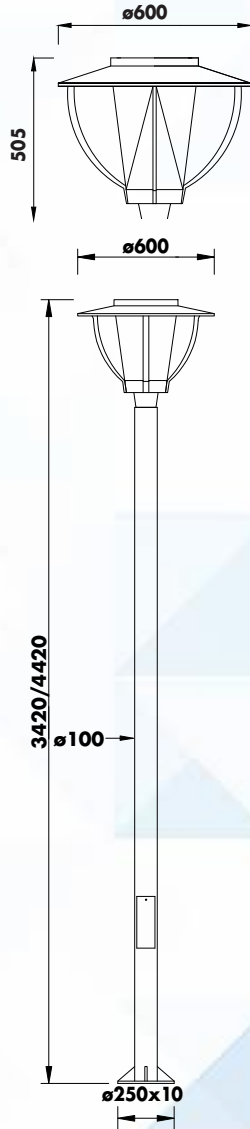


HL-2995



HL-2312

HL - MSP-233-2312

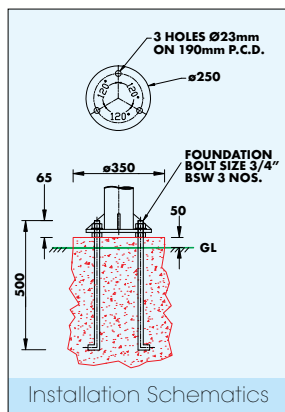


DESCRIPTION

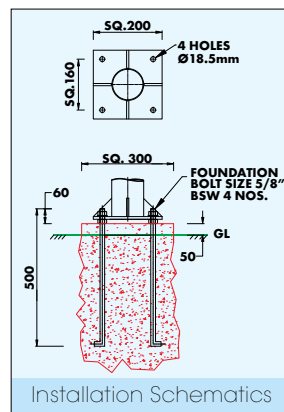
Mild steel pole, cast & spun aluminium lighting fixture, polycarbonate diffuser, silicon rubber gasket, stainless steel screws, corrosion & U.V ray resistant coating.

LED WATTAGE

28 / 36 W



Installation Schematics



Installation Schematics

DESCRIPTION

Mild steel pole, cast & spun aluminium lighting fixture, polycarbonate diffuser, silicon rubber gasket, stainless steel screws, corrosion & U.V ray resistant coating.

LED WATTAGE

30 / 40 W

LUMINAIRE IP RATING (OPTICAL AREA) - IP 66

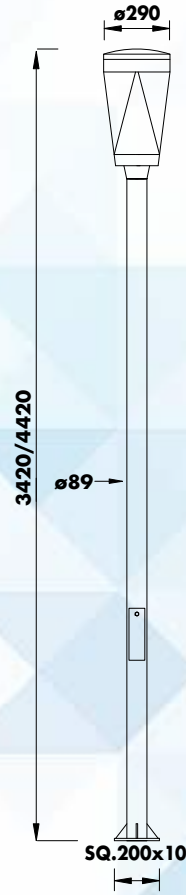
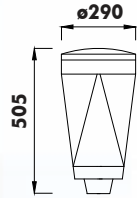
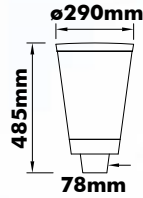
HL-MSP-233-2305



HL-2305

HL-2351

HL-MSP-233-2351

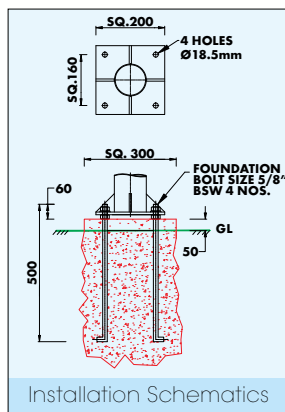


DESCRIPTION

Mild steel pole, cast and spun aluminium lighting fixture, polycarbonate diffuser, silicon rubber gasket, stainless steel screws, corrosion and U.V ray resistant coating.

LED WATTAGE

30 / 40 W



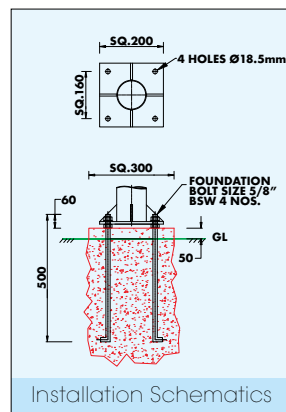
Installation Schematics

DESCRIPTION

Mild steel pole, cast aluminium lighting fixture, polycarbonate diffuser, silicon rubber gasket, stainless steel screws, corrosion and U.V ray resistant coating.

LED WATTAGE

28 / 36 W

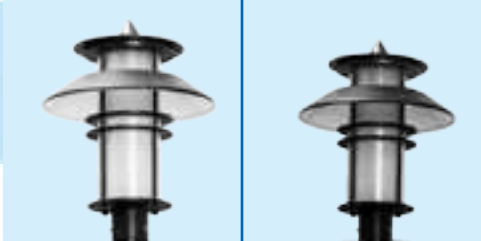


Installation Schematics

LUMINAIRE IP RATING (OPTICAL AREA) - IP 66

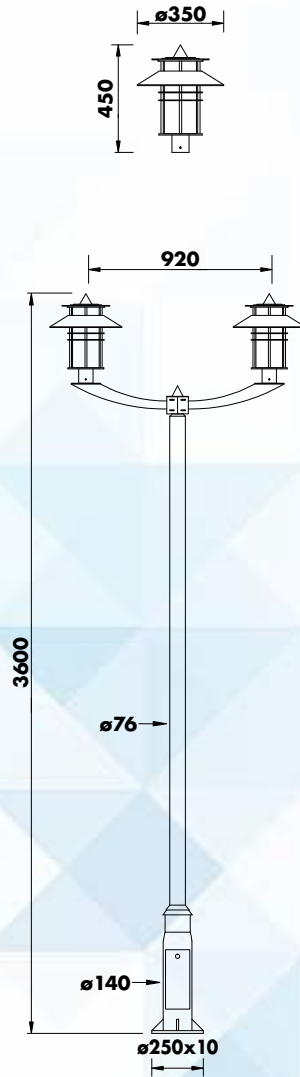
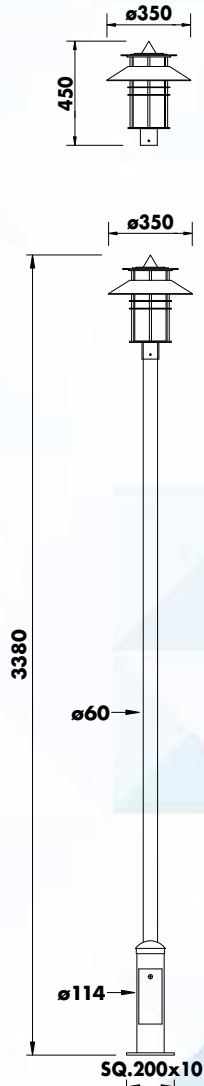
HL - MSP-228-2981

HL - 2813



HL-2981

HL-2981

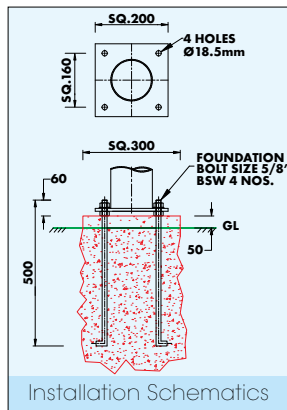


DESCRIPTION

Mild steel pole, cast & spun aluminium lighting fixture, acrylic diffuser, stainless steel screws, corrosion & U.V ray resistant coating.

LED WATTAGE

30 / 40 W

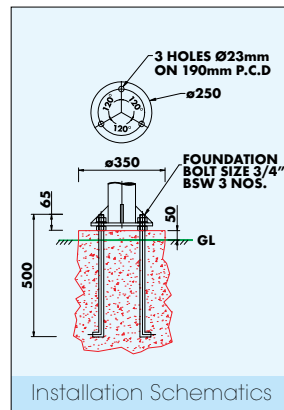


DESCRIPTION

Mild steel pole, cast aluminium bracket, cast iron embellishments, cast & spun aluminium lighting fixture, acrylic diffuser, stainless steel screws, corrosion & U.V ray resistant coating

LED WATTAGE

2 X (30 / 40 W)

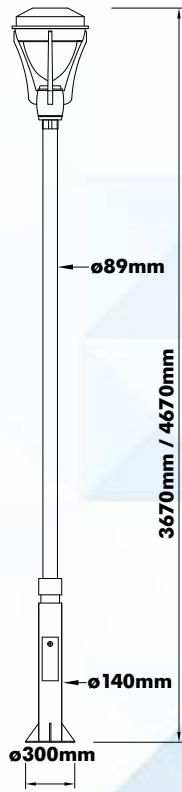
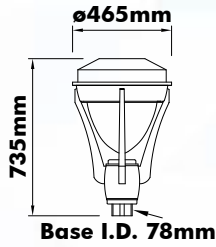


LUMINAIRE IP RATING (OPTICAL AREA) - IP 65

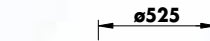
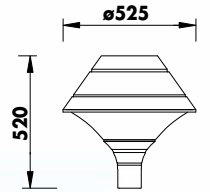
HL-MSP-229-2972



HL - 2972



HL-MSP-233-2319

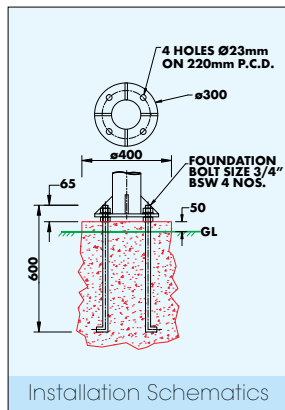


DESCRIPTION

Mild steel pole, cast and spun aluminium lighting fixture, acrylic diffuser, silicon rubber gasket, stainless steel screws, corrosion and U.V ray resistant coating.

LED WATTAGE

36 / 54 W



Installation Schematics

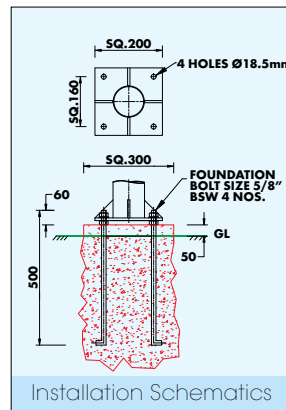
LUMINAIRE IP RATING (OPTICAL AREA) - IP 66

DESCRIPTION

Mild steel pole, cast and spun aluminium lighting fixture, acrylic diffuser, silicon rubber gasket, anodised aluminium reflector, stainless steel screws, corrosion and U.V ray resistant coating.

LED WATTAGE

36 W



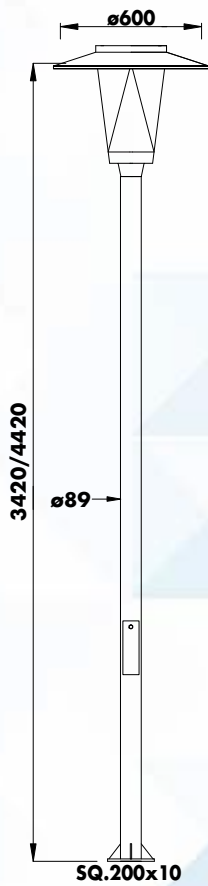
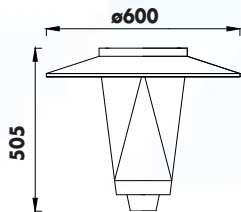
Installation Schematics

LUMINAIRE IP RATING (OPTICAL AREA) - IP 65

HL - MSP-233-2352



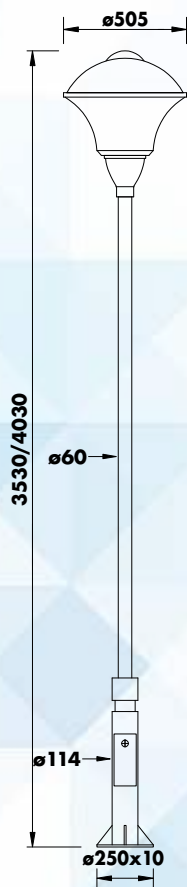
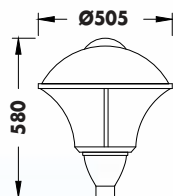
HL-2352



HL - MSP-225-2311



HL-2311

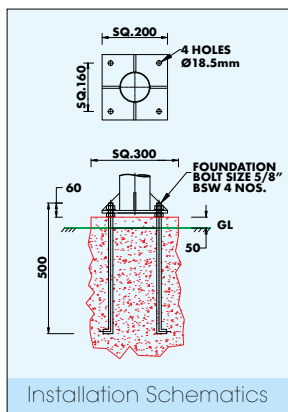


DESCRIPTION

Mild steel pole, cast & spun aluminium lighting fixture, Polycarbonate diffuser, silicon rubber gasket, stainless steel screws, corrosion & U.V ray resistant coating.

LED WATTAGE

28 / 36 W



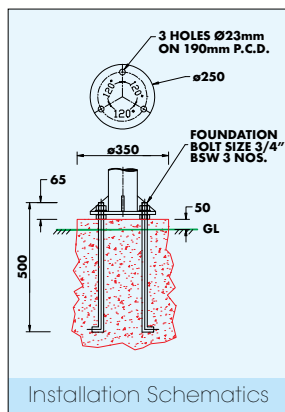
Installation Schematics

DESCRIPTION

Mild steel pole, cast & spun aluminium lighting fixture, acrylic diffuser, silicon rubber gasket, stainless steel screws, corrosion & U.V ray resistant coating.

LED WATTAGE

36 / 54 W



Installation Schematics

LUMINAIRE IP RATING (OPTICAL AREA) - IP 66

LUMINAIRE IP RATING (OPTICAL AREA) - IP 65

HL-MSP-233-2306

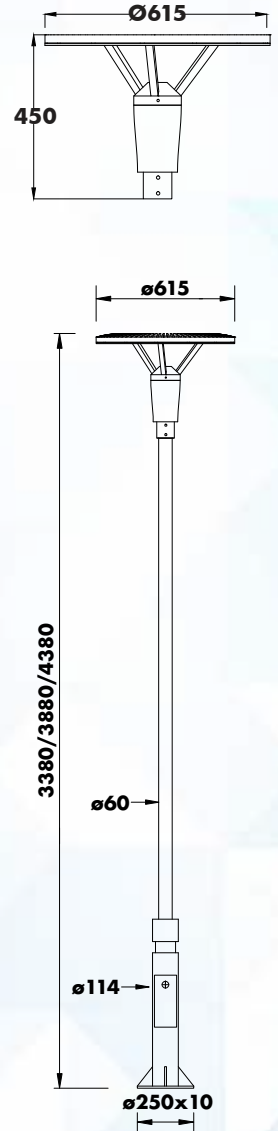
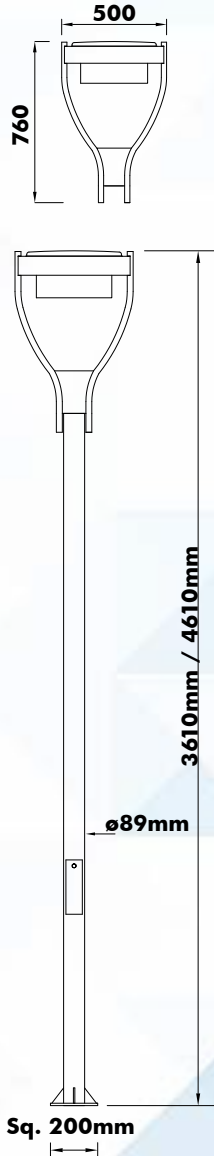


HL - 2306



HL - 2988

HL - MSP-225-2988

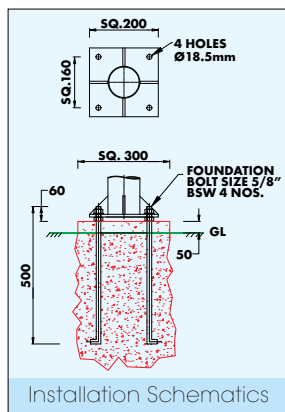


DESCRIPTION

Mild steel pole, cast and spun aluminium lighting fixture, toughened glass, silicon rubber gasket, stainless steel screws, corrosion and U.V ray resistant coating.

LED WATTAGE

36 / 54 W



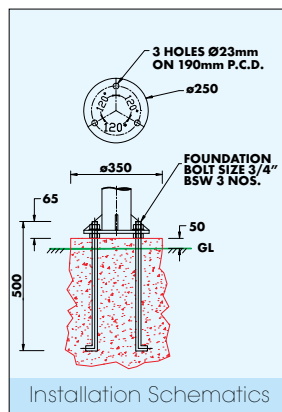
Installation Schematics

DESCRIPTION

Mild steel pole, cast aluminium lighting fixture, polycarbonate diffuser, silicon rubber gasket, stainless steel screws, corrosion & U.V ray resistant coating.

LED WATTAGE

33 / 50 / 60 / 70 W



Installation Schematics

LUMINAIRE IP RATING (OPTICAL AREA) - IP 66

LUMINAIRE IP RATING (OPTICAL AREA) - IP 65

HL-MSP-225-2922

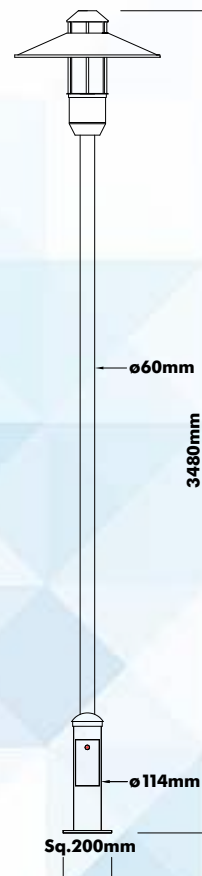
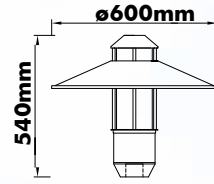
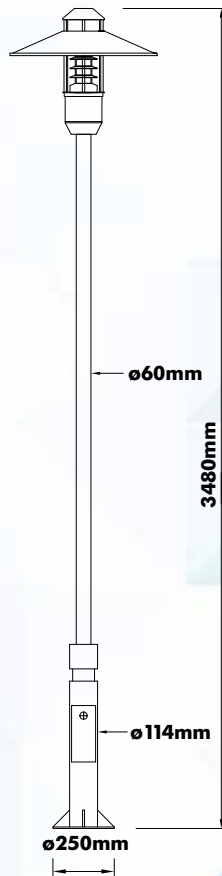
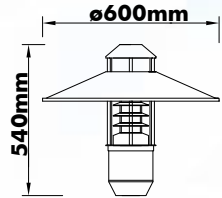


HL - 2922



HL - 2921

HL-MSP-228-2921

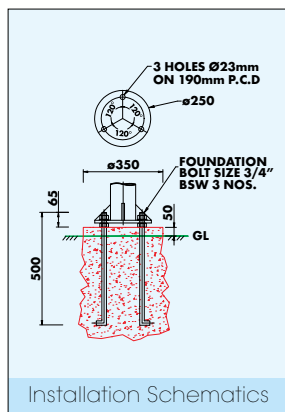


DESCRIPTION

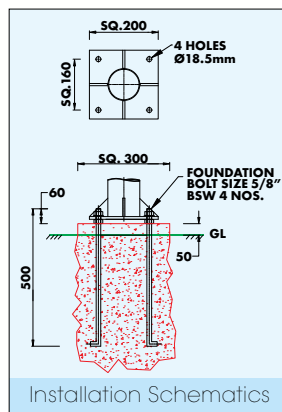
Mild steel pole, cast & spun aluminium lighting fixture, acrylic diffuser, aluminium reflector, stainless steel screws, corrosion and U.V ray resistant coating.

LED WATTAGE

30/40 W



Installation Schematics



Installation Schematics

DESCRIPTION

Mild steel pole with cast aluminium embellishments, cast & spun aluminium lighting fixture, acrylic diffuser, stainless steel screws, corrosion and U.V ray resistant coating.

LED WATTAGE

30/40 W

LUMINAIRE IP RATING (OPTICAL AREA) - IP 65

HL-MSP-260-2380

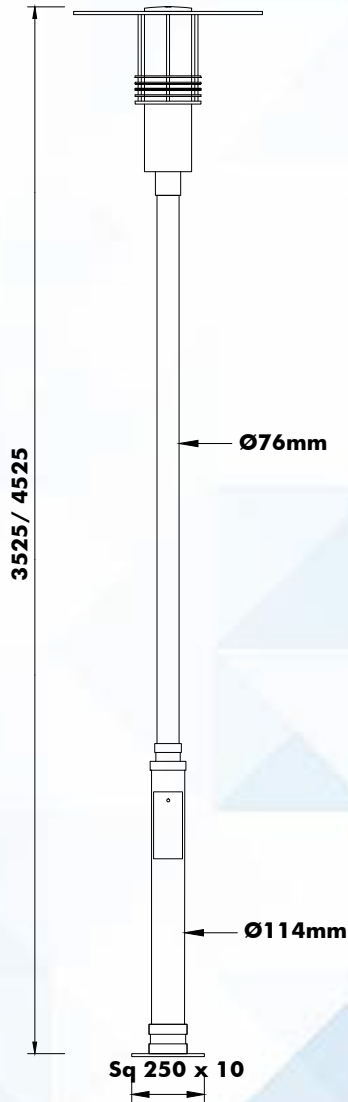


HL - 2380



HL - 2356

HL-MSP-248-2356

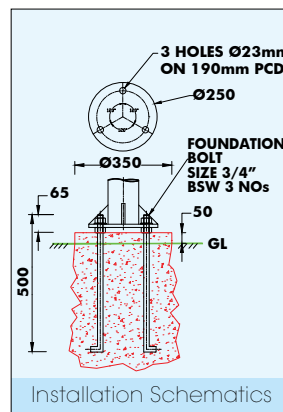
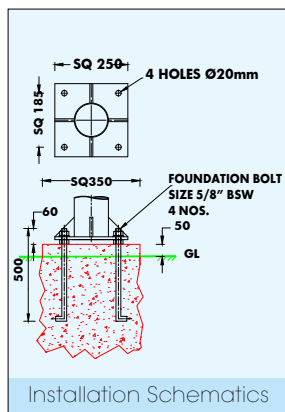


DESCRIPTION

Mild steel Pole, Cast Aluminium Embellishments, Cast & Spun Aluminium Lighting fixture, Silicon rubber gasket, stainless steel screw, Acrylic diffuser, corrosion and U.V ray resistant coating.

LED WATTAGE

30 W



DESCRIPTION

Mild steel Pole, Cast & Spun Aluminium Lighting fixture, Silicon rubber gasket, stainless steel screw, Acrylic diffuser, corrosion and U.V ray resistant coating.

LED WATTAGE

36 W

LUMINAIRE IP RATING (OPTICAL AREA) - IP 65

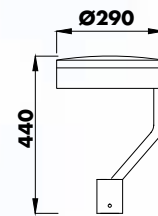
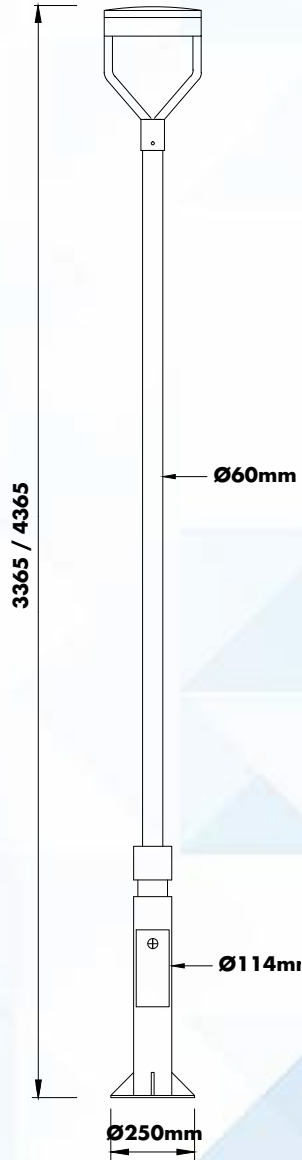
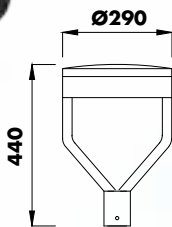
HL-MSP-225-2363

HL-MSP-225-2396



HL - 2363

HL - 2396

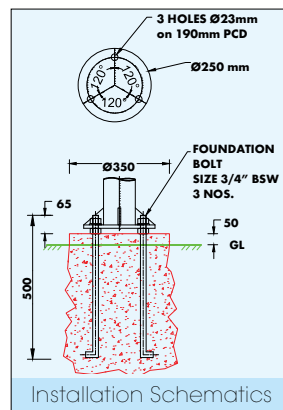
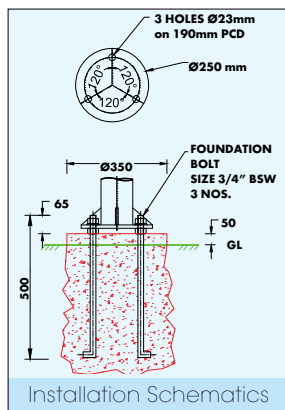


DESCRIPTION

Mild steel Pole, Cast Aluminium Lighting fixture, Silicon rubber gasket, stainless steel screw, Toughened Glass diffuser corrosion and U.V ray resistant coating.

LED WATTAGE

36 / 54 W



DESCRIPTION

Mild steel Pole, Cast Aluminium Lighting fixture, Silicon rubber gasket, stainless steel screw, Toughened Glass diffuser corrosion and U.V ray resistant coating.

LED WATTAGE

36 / 54 W

LUMINAIRE IP RATING (OPTICAL AREA) - IP 66

HL-MSP-233-2381

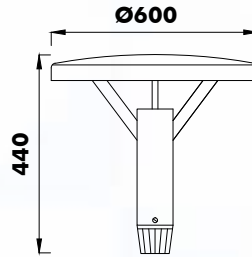
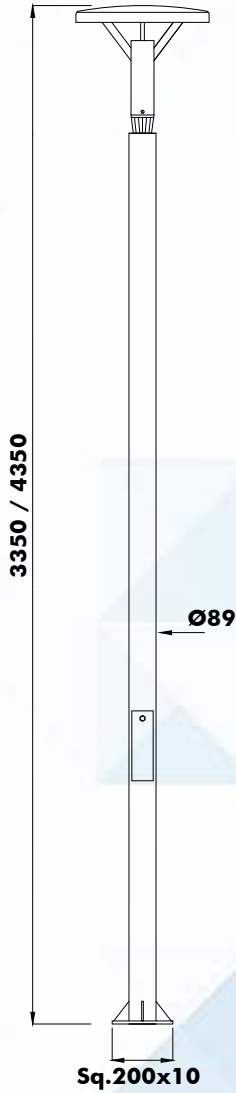
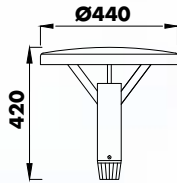


HL - 2381



HL - 2397

HL-MSP-241-2397

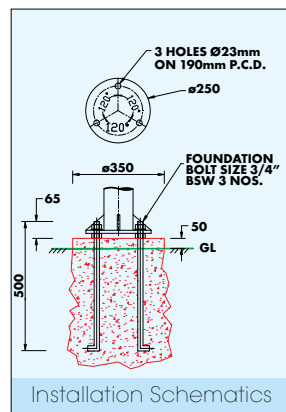
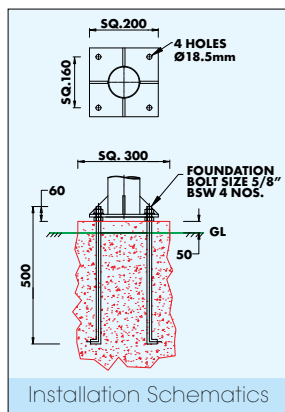


DESCRIPTION

Mild steel Pole, Cast , Spun & Extruded Aluminium Lighting fixture, Silicon rubber gasket, stainless steel screw, Polycarbonate diffuser, corrosion and U.V ray resistant coating.

LED WATTAGE

36 W



DESCRIPTION

Mild steel Pole, Cast, Spun & Extruded Aluminium Lighting fixture, Silicon rubber gasket, stainless steel screw, Polycarbonate diffuser, corrosion and U.V ray resistant coating.

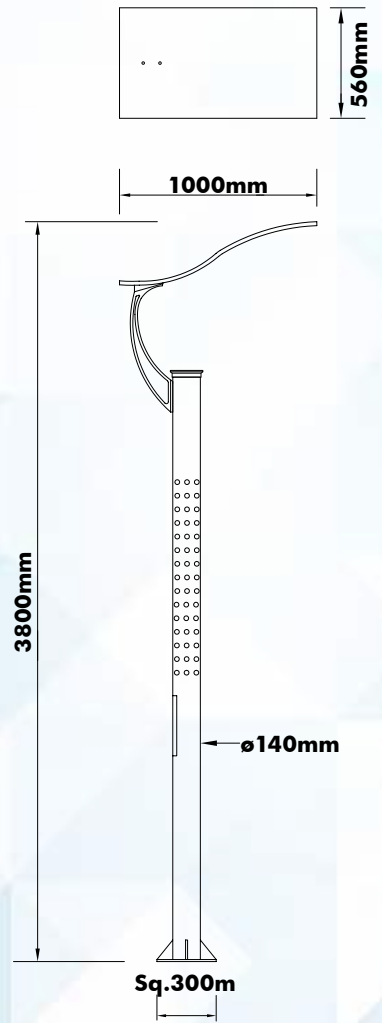
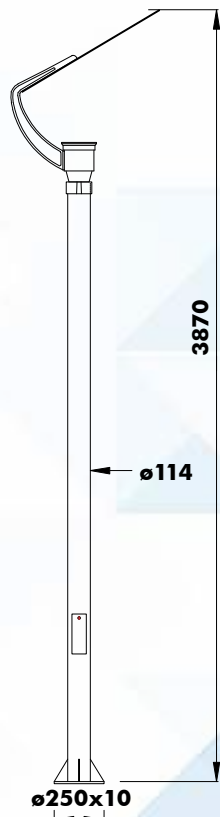
LED WATTAGE

60 W

LUMINAIRE IP RATING (OPTICAL AREA) - IP 65

HL - 2998

HL-2976

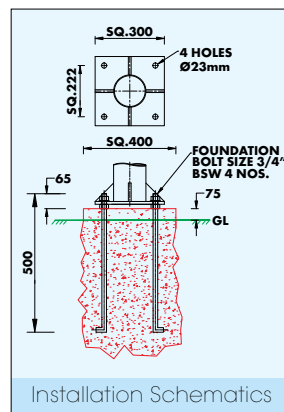
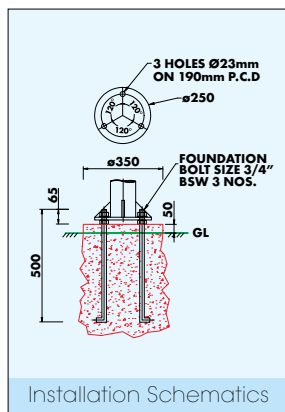


DESCRIPTION

Mild steel pole, aluminium lighting fixture, aluminium top reflector, toughened glass, silicon rubber gasket, stainless steel screws, corrosion and U.V ray resistant coating.

LED WATTAGE

36 W



DESCRIPTION

Mild steel pole, cast aluminium fixture cap and arm, grp top reflector, stainless steel screws, toughened glass, silicon rubber gasket, corrosion and U.V ray resistant coating.

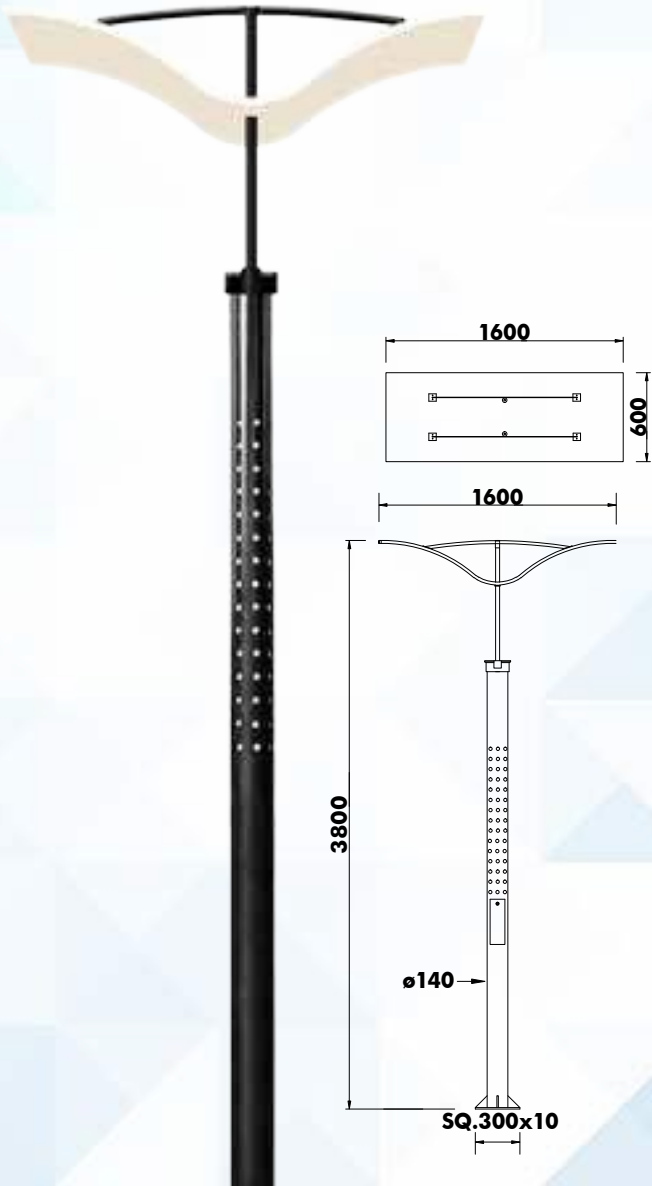
LED WATTAGE

36 W +
2X18 W in perforation

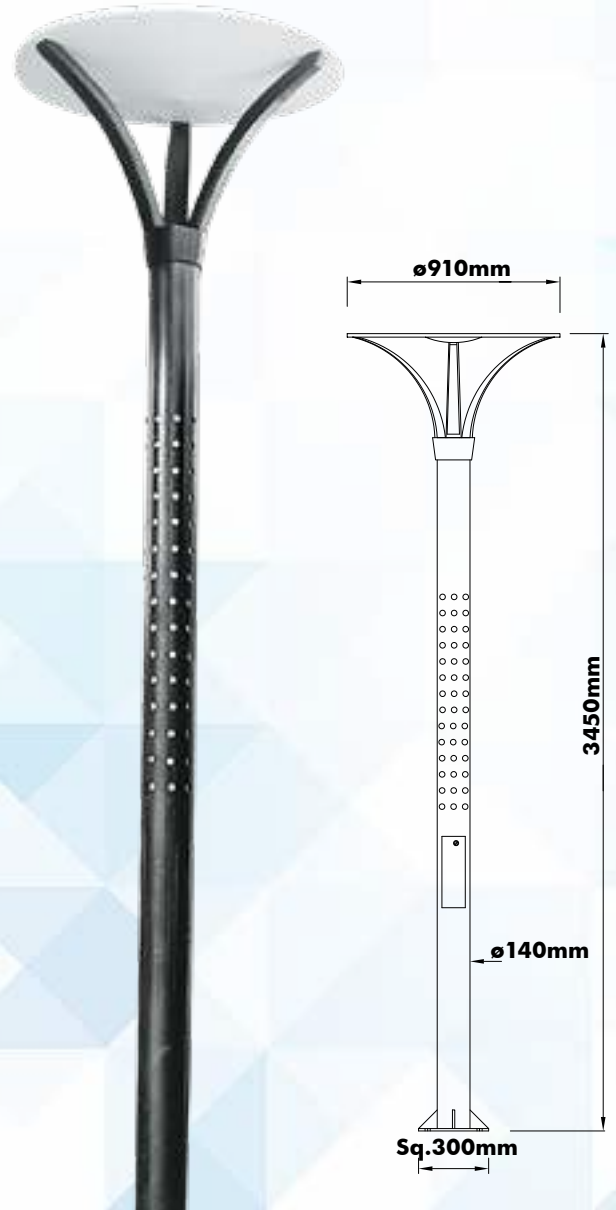
LUMINAIRE IP RATING (OPTICAL AREA) -

IP 66 • Perforation Area - IP 44

HL - 2837



HL - 2961

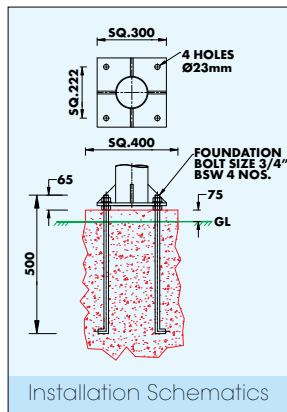


DESCRIPTION

Mild steel pole, cast aluminium fixture cap, mild steel arm, GRP top reflector, stainless steel screws, toughened glass, silicon rubber gasket, corrosion and U.V ray resistant coating.

LED WATTAGE

36W +
2X18W in perforation

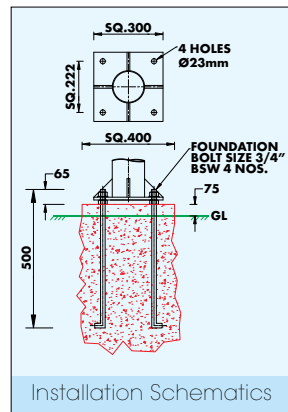


DESCRIPTION

Mild steel pole, cast aluminium fixture, grp top reflector, stainless steel screws, toughened glass, silicon rubber gasket, corrosion and U.V ray resistant coating.

LED WATTAGE

36W +
2X18W in perforation

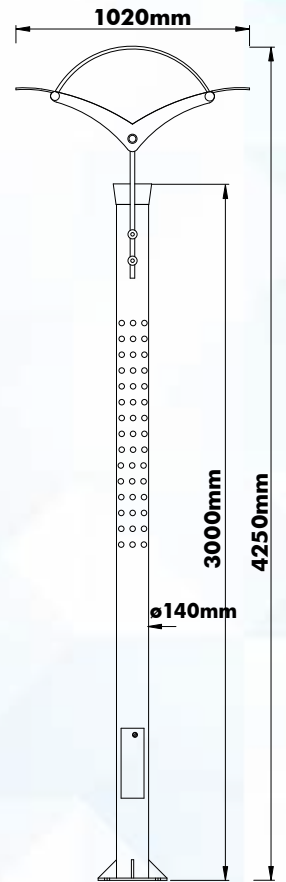
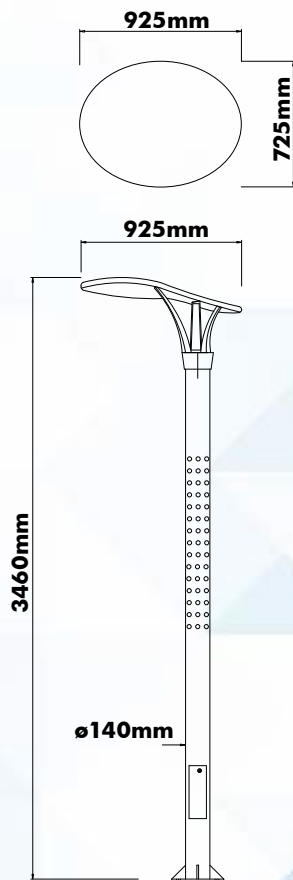
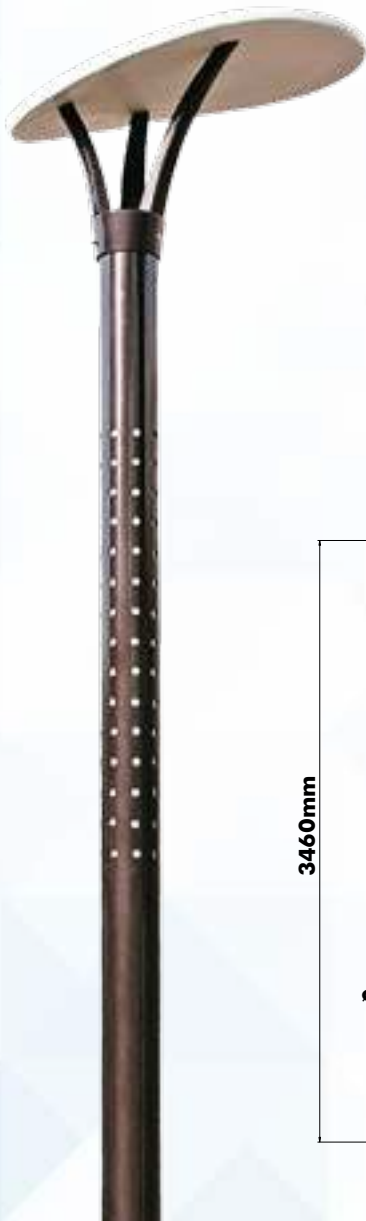


LUMINAIRE IP RATING (OPTICAL AREA) -

IP 66 • Perforation Area - IP 44

HL - 2100

HL - 2825

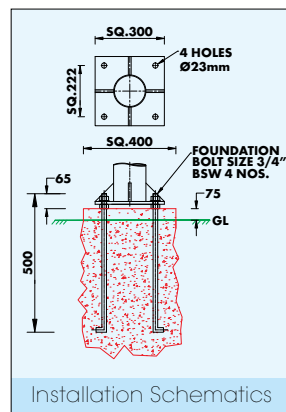
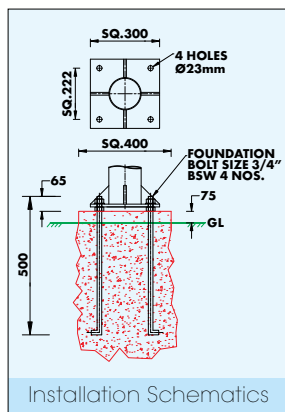


DESCRIPTION

Mild steel pole, cast aluminium fixture, grp top reflector, stainless steel screws, toughened glass, silicon rubber gasket, corrosion and U.V ray resistant coating.

LED WATTAGE

36 W +
2X18 W in perforation



DESCRIPTION

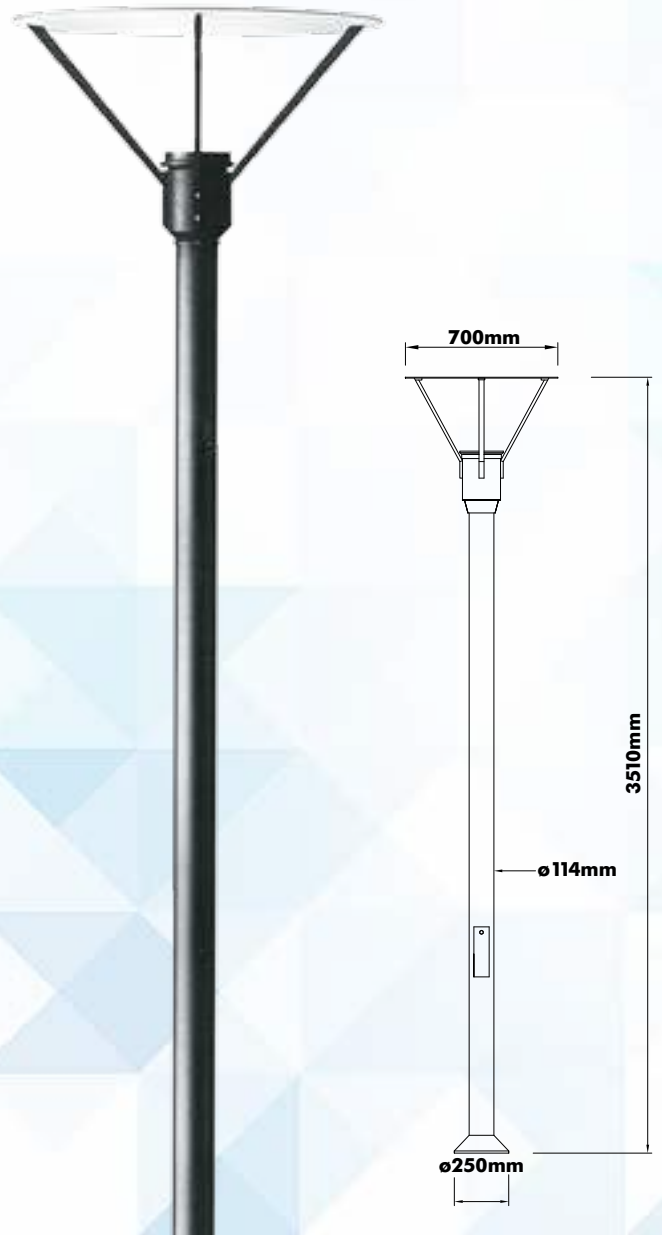
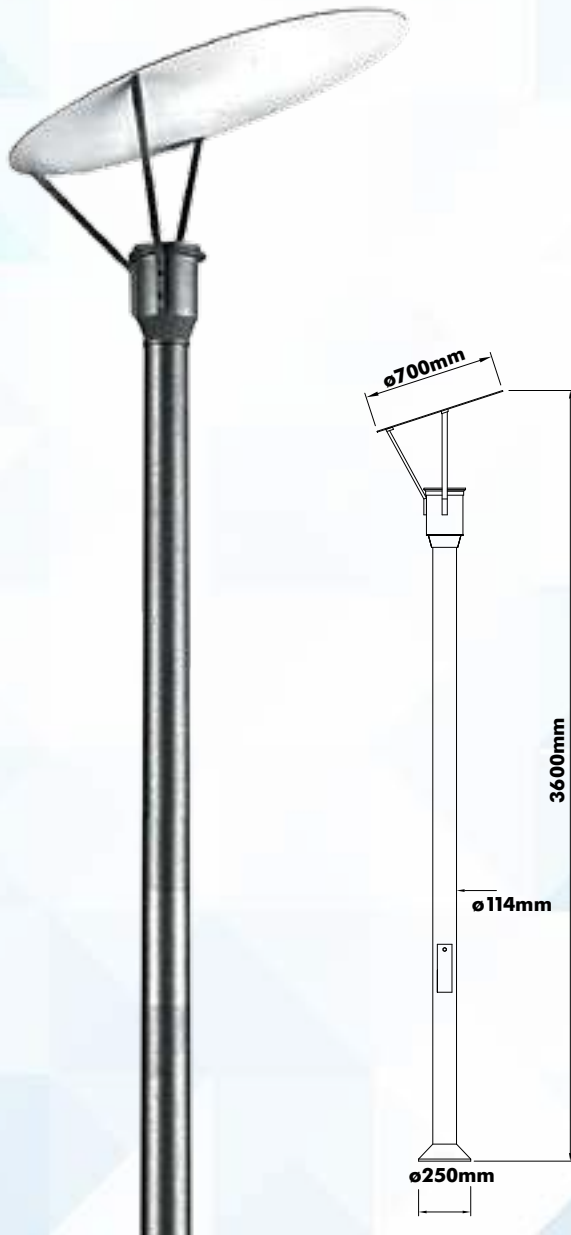
Mild steel pole, cast aluminium & stainless steel fixture, aluminium top reflector, stainless steel screws, toughened glass, silicon rubber gasket, corrosion and U.V ray resistant coating.

LED WATTAGE

36 W +
2X18 W in perforation

LUMINAIRE IP RATING (OPTICAL AREA) -

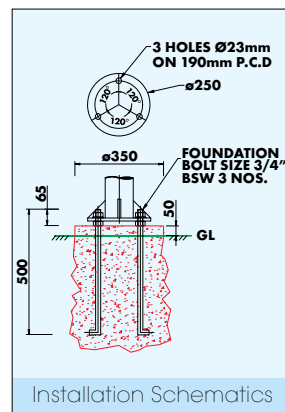
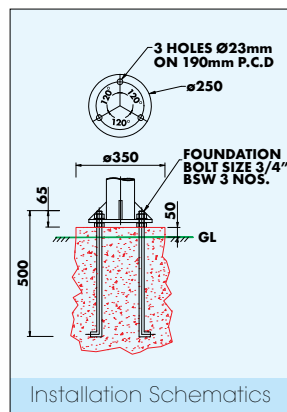
IP 66 • Perforation Area - IP 44



DESCRIPTION

Mild steel pole, aluminium lighting fixture, aluminium top reflector, toughened glass, silicon rubber gasket, stainless steel screws, corrosion and U.V ray resistant coating.

LED WATTAGE
36 W



DESCRIPTION

Mild steel pole, aluminium lighting fixture, aluminium top reflector, toughened glass, silicon rubber gasket, stainless steel screws, corrosion and U.V ray resistant coating.

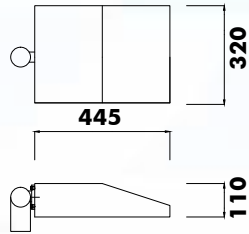
LED WATTAGE
36 W

LUMINAIRE IP RATING (OPTICAL AREA) - IP 65

HL - MSP-223-2384



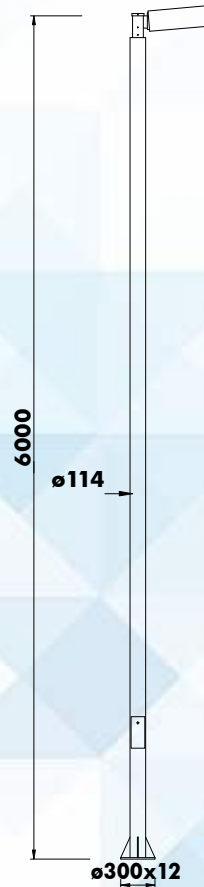
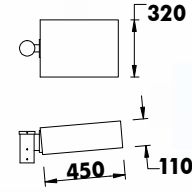
HL - 2384



HL - MSP-223-2987



HL - 2987

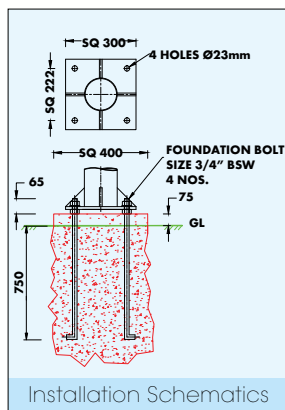


DESCRIPTION

Mild steel pole, aluminium lighting fixture, toughened glass diffuser, silicon rubber gasket, stainless steel screws, corrosion & U.V ray resistant coating.

LED WATTAGE

54/75/83 W



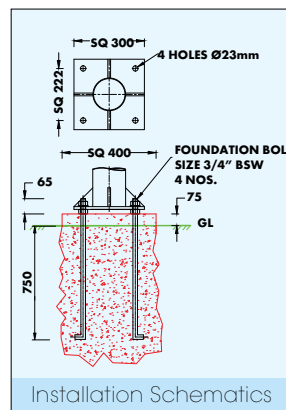
Installation Schematics

DESCRIPTION

Mild steel pole, aluminium lighting fixture, toughened glass diffuser, silicon rubber gasket, stainless steel screws, corrosion & U.V ray resistant coating.

LED WATTAGE

54/75/83 W



Installation Schematics

LUMINAIRE IP RATING (OPTICAL AREA) - IP 65

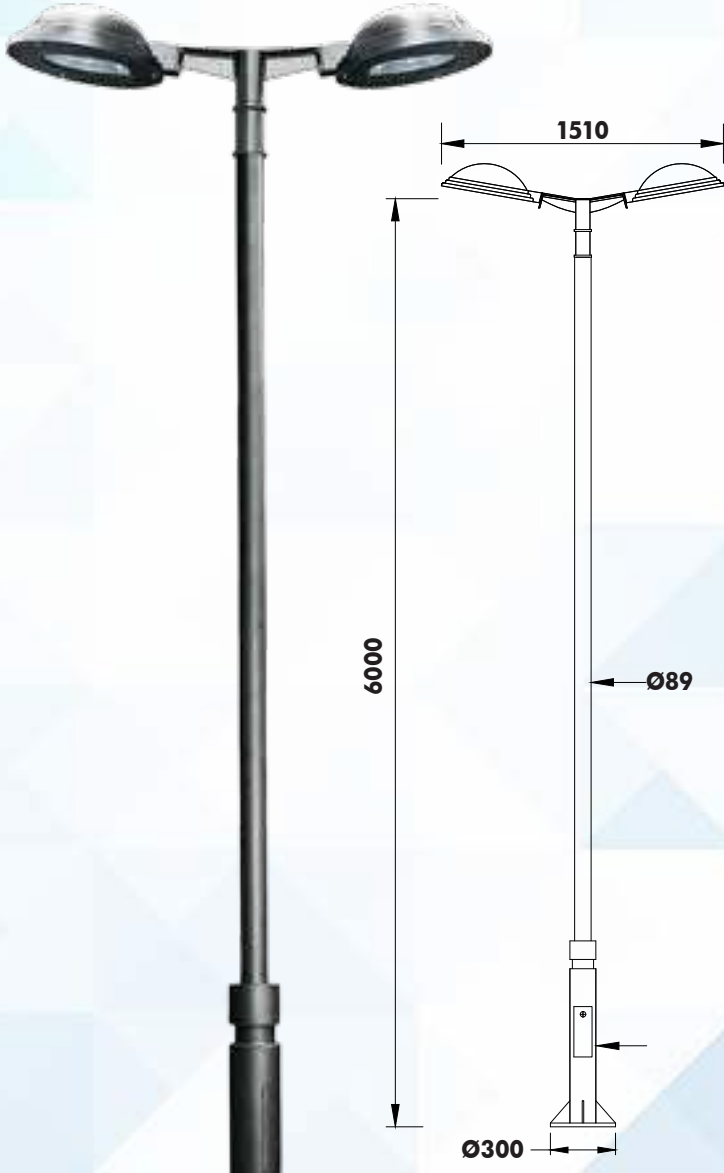
HL - 2882



HL - 2951

HL - 2951

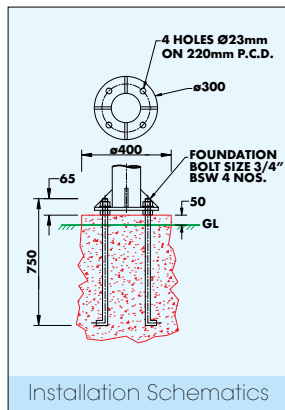
HL - 2880



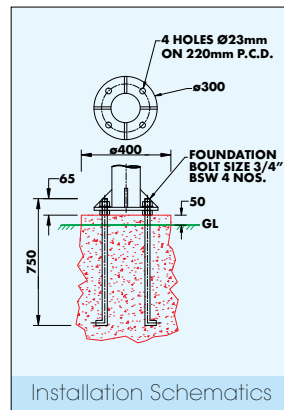
DESCRIPTION

Mild steel pole, mild steel bracket, cast and spun aluminium lighting fixture, toughened glass, rubber gasket, stainless steel screws, corrosion and U.V ray resistant coating.

LED WATTAGE
2X(54/75W)



Installation Schematics



Installation Schematics

DESCRIPTION

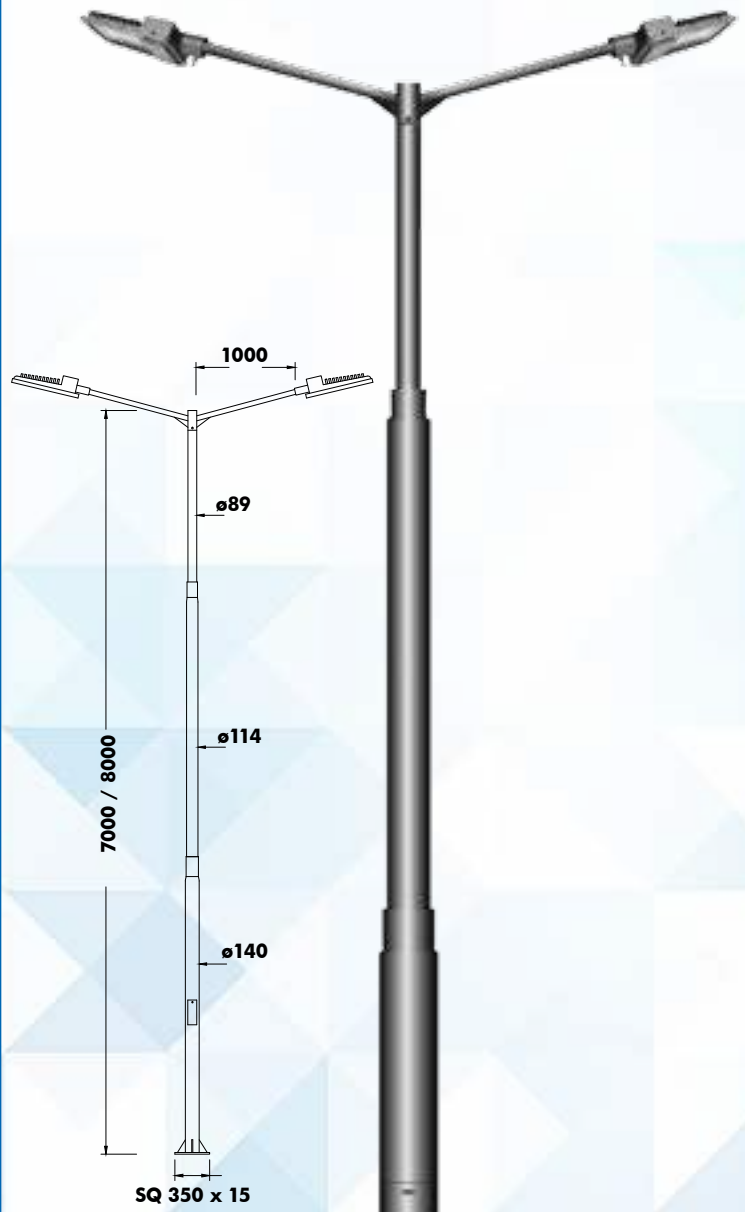
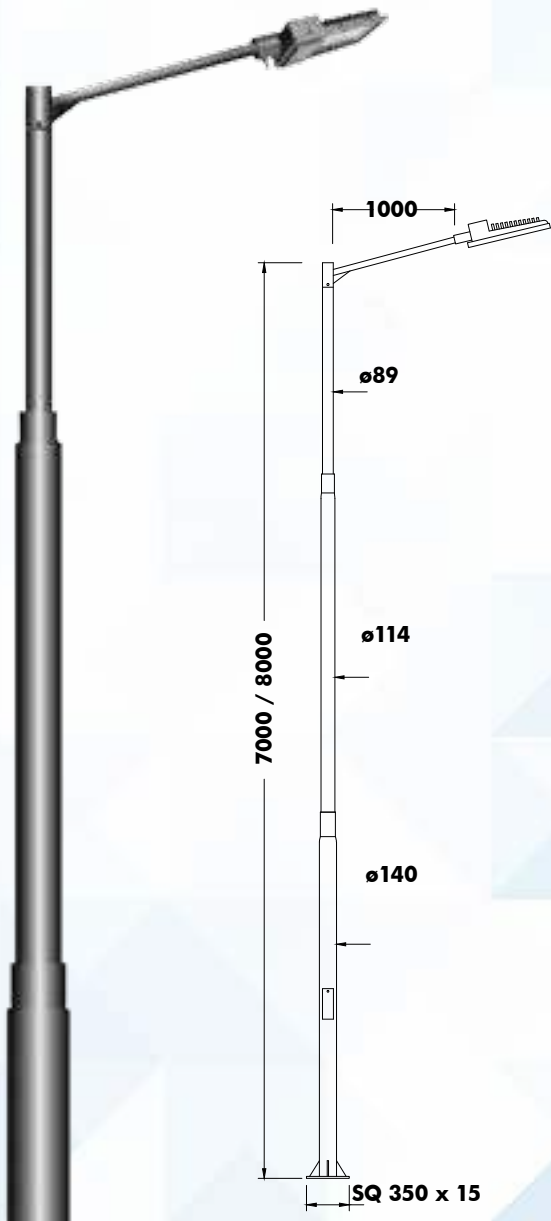
Mild steel pole, mild steel bracket, cast and spun aluminium lighting fixture, toughened glass, rubber gasket, stainless steel screws, corrosion and U.V ray resistant coating.

LED WATTAGE
54 / 75 W

LUMINAIRE IP RATING (OPTICAL AREA) - IP 66

HL - 2831

HL - 2843

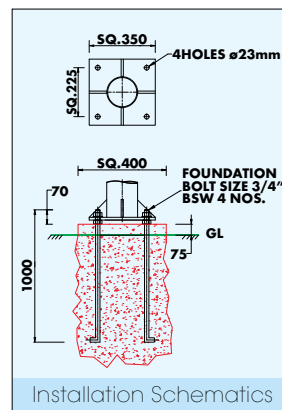
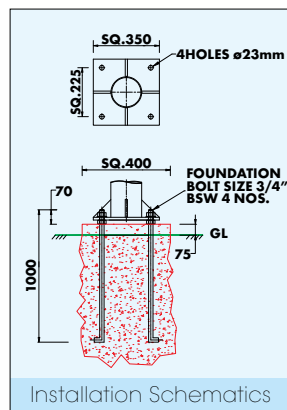


DESCRIPTION

Mild steel pole, mild steel bracket, cast aluminium lighting fixture, toughened glass diffuser, stainless steel screws, corrosion & U.V ray resistant coating.

LED WATTAGE

50/ 60/ 70/ 90/ 100/120/ 150 W



DESCRIPTION

Mild steel pole, mild steel bracket, cast aluminium lighting fixture, toughened glass diffuser, stainless steel screws, corrosion & U.V ray resistant coating..

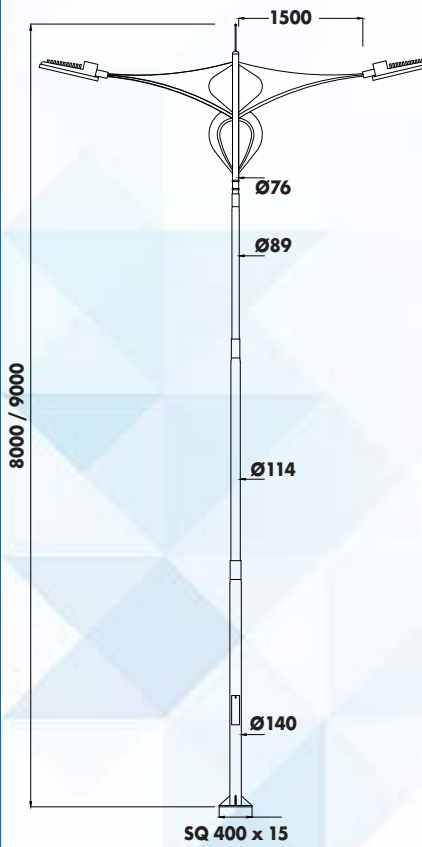
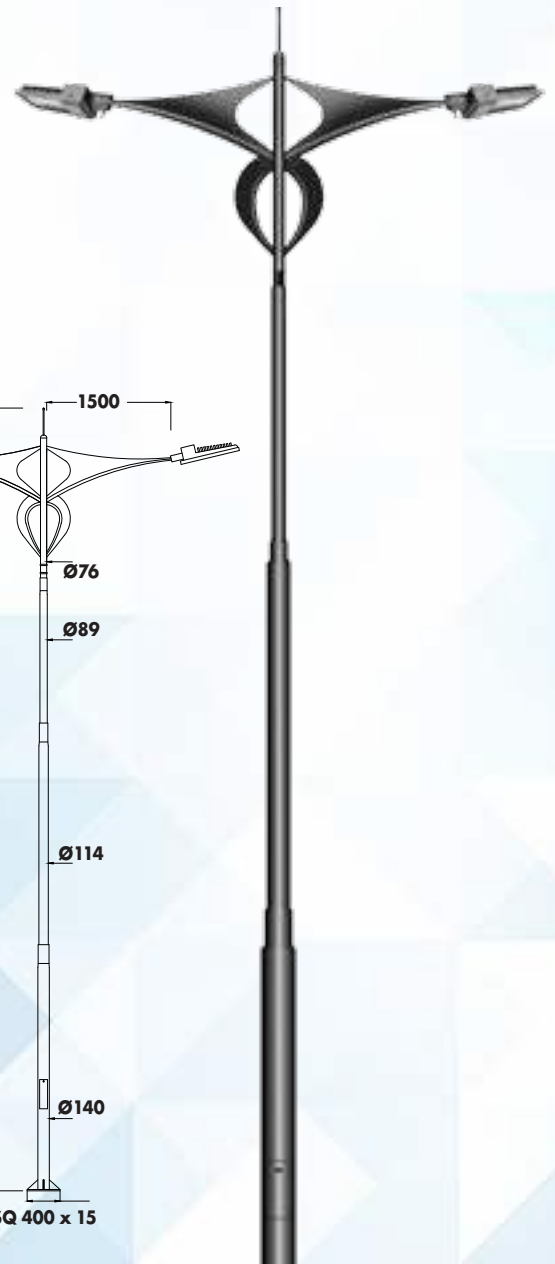
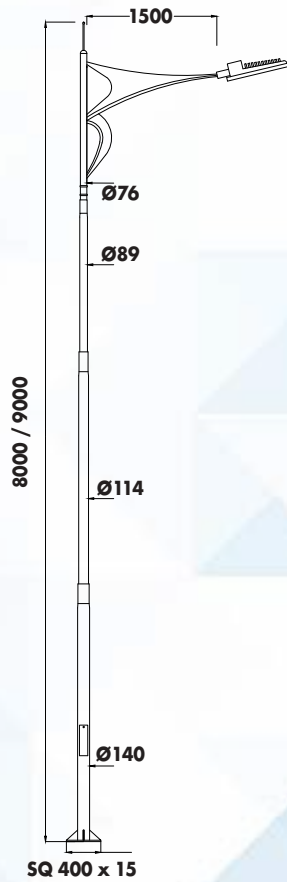
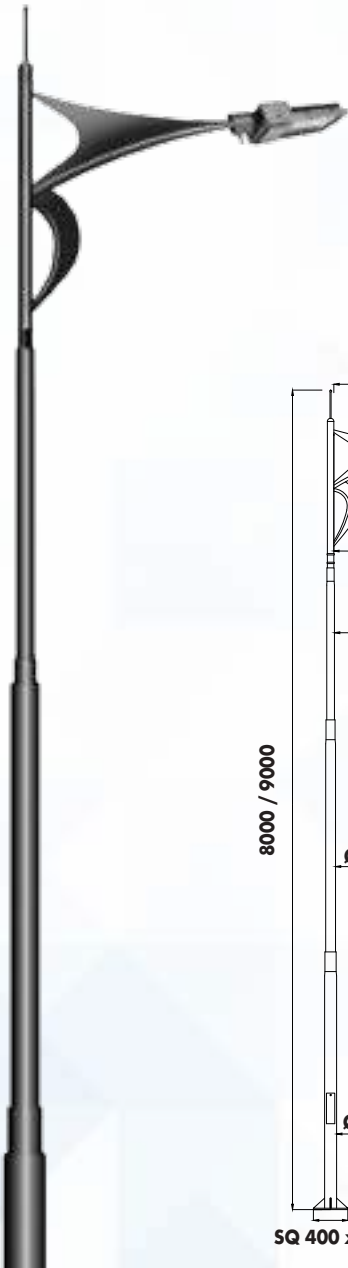
LED WATTAGE

2X (50 /60 /70/ 90 / 100/ 120/ 150 W)

LUMINAIRE IP RATING (OPTICAL AREA) - IP 66

HL - 2832

HL-2833

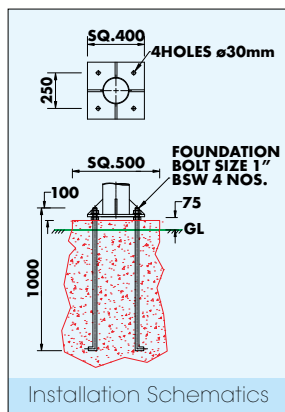


DESCRIPTION

Mild steel pole, mild steel bracket, cast aluminium lighting fixture, toughened glass diffuser, stainless steel screws, corrosion & U.V ray resistant coating.

LED WATTAGE

50/ 60/ 70/ 90/ 100/120/ 150 W

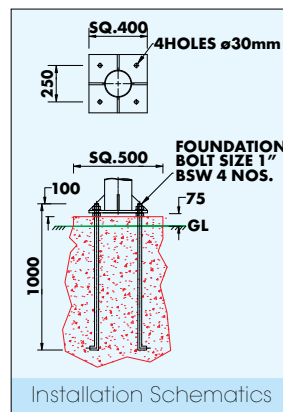


DESCRIPTION

Mild steel pole, mild steel bracket, cast aluminium lighting fixture, toughened glass diffuser, stainless steel screws, corrosion & U.V ray resistant coating.

LED WATTAGE

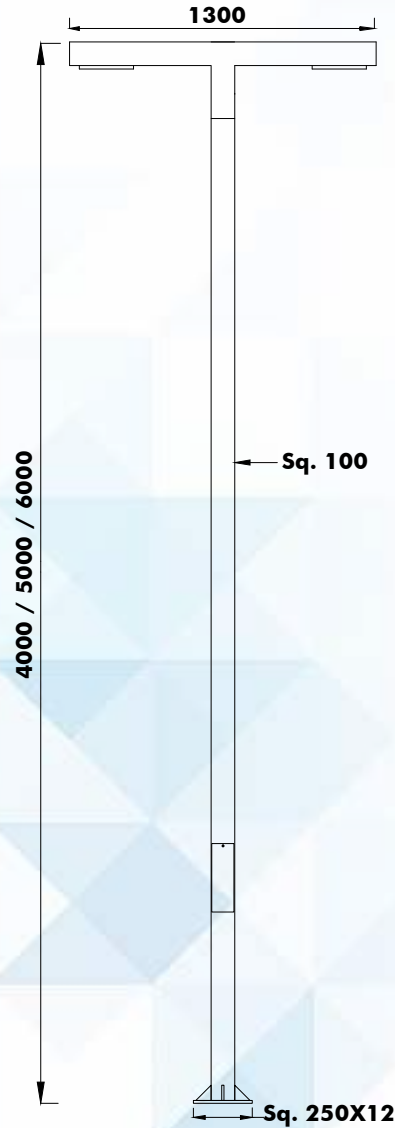
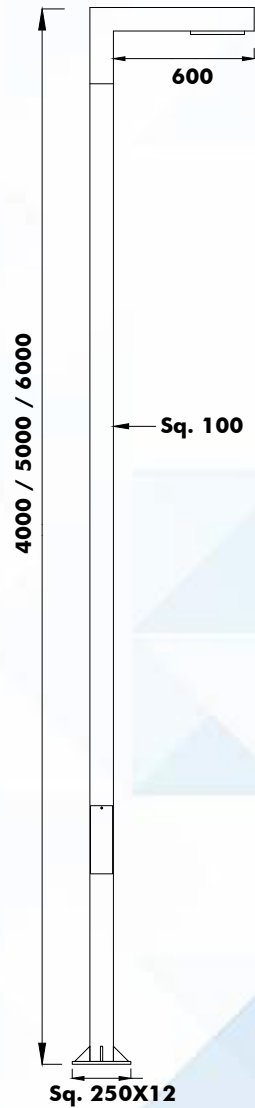
2 X (50 /60 /70/ 90/ 100/ 120/ 150 W)



LUMINAIRE IP RATING (OPTICAL AREA) - IP 66

HL-2857

HL - 2862

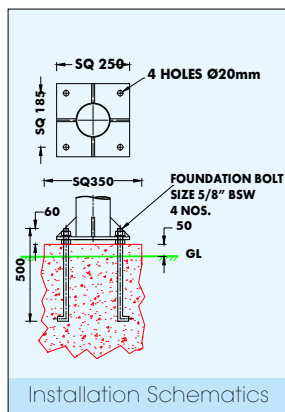


DESCRIPTION

Mild Steel Pole and Luminaire Arm, Silicon rubber gasket, stainless steel screw, Polycarbonate Lens diffuser, corrosion and U.V ray resistant coating.

LED WATTAGE

65 W



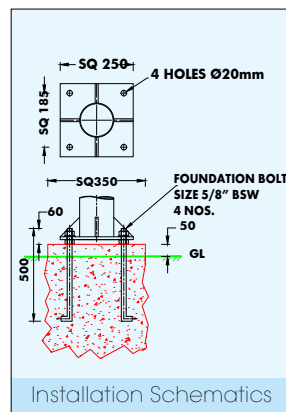
Installation Schematics

DESCRIPTION

Mild Steel Pole and Luminaire Arm, Silicon rubber gasket, stainless steel screw, Polycarbonate Lens diffuser, corrosion and U.V ray resistant coating.

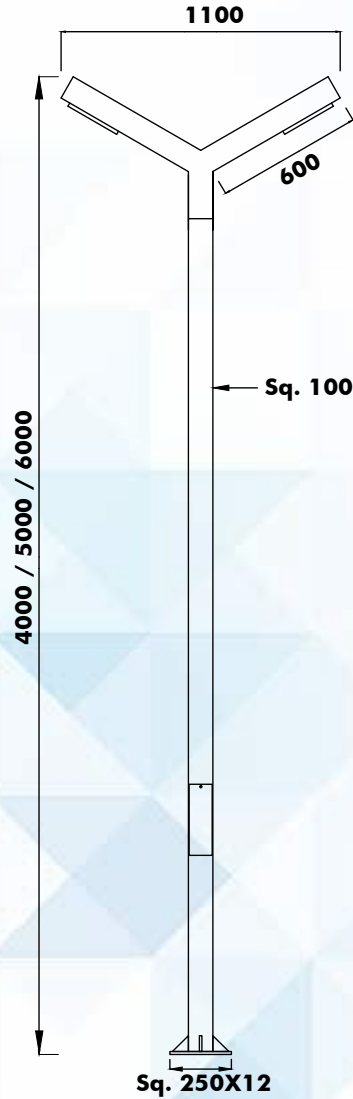
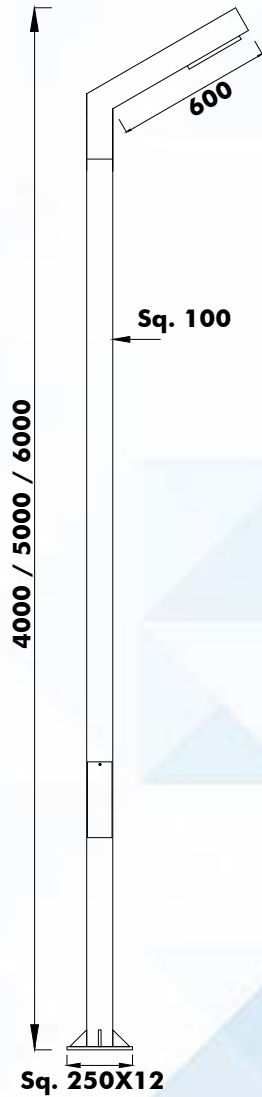
LED WATTAGE

2 x 65W



Installation Schematics

LUMINAIRE IP RATING (OPTICAL AREA) - IP 65

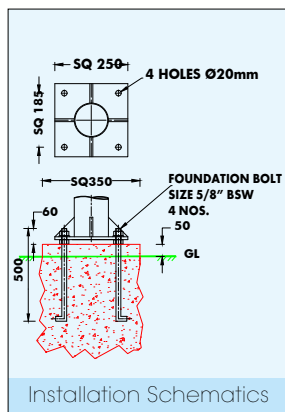


DESCRIPTION

Mild Steel Pole and Luminaire Arm, Silicon rubber gasket, stainless steel screw, Polycarbonate Lens diffuser, corrosion and U.V ray resistant coating.

LED WATTAGE

65 W



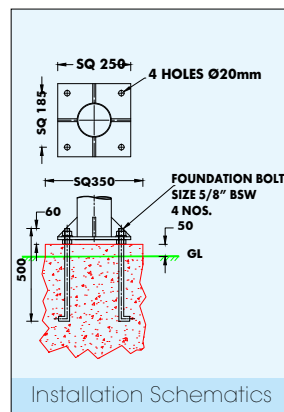
Installation Schematics

DESCRIPTION

Mild Steel Pole and Luminaire Arm, Silicon rubber gasket, stainless steel screw, Polycarbonate Lens diffuser, corrosion and U.V ray resistant coating.

LED WATTAGE

2 x 65W

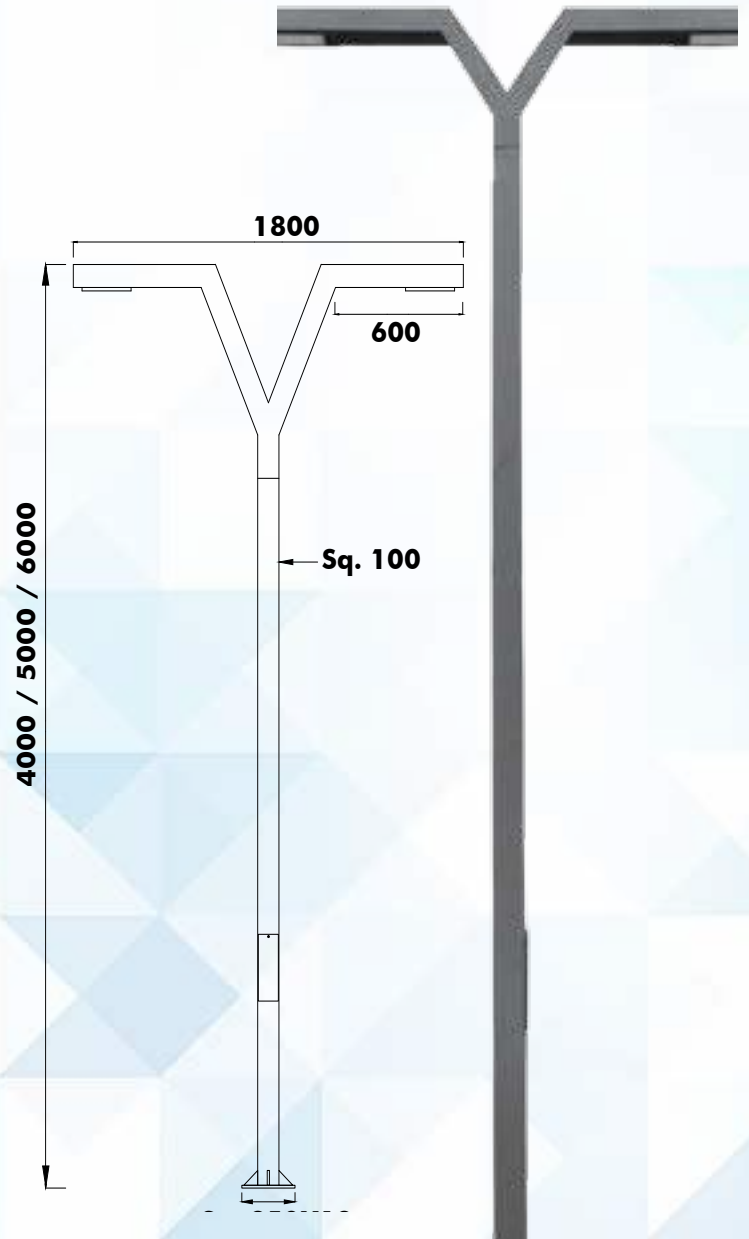
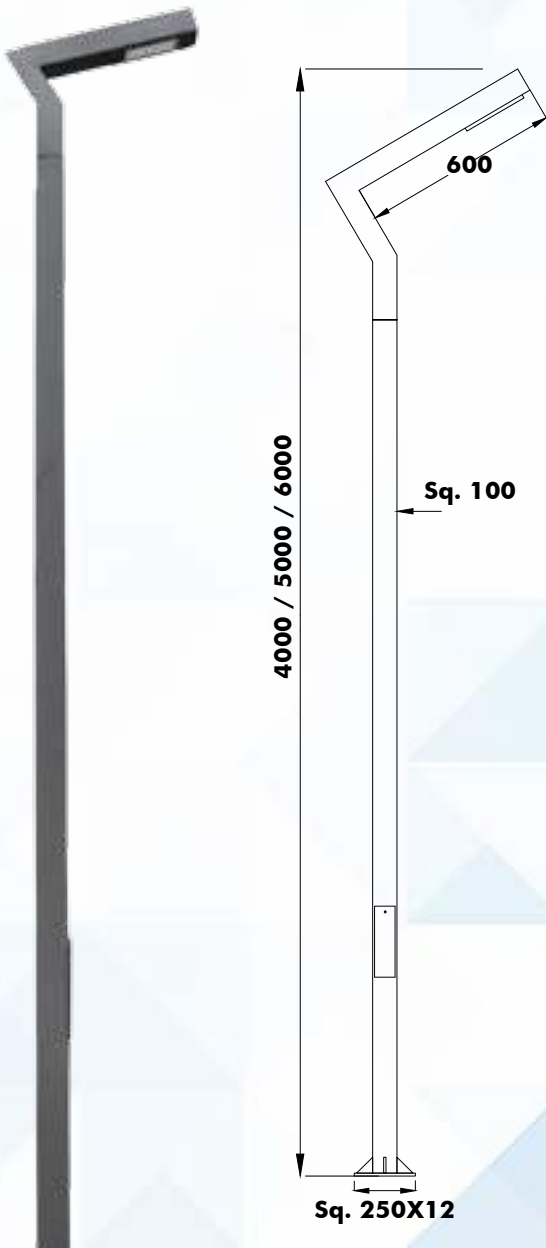


Installation Schematics

LUMINAIRE IP RATING (OPTICAL AREA) - IP 65

HL - 2866

HL - 2867

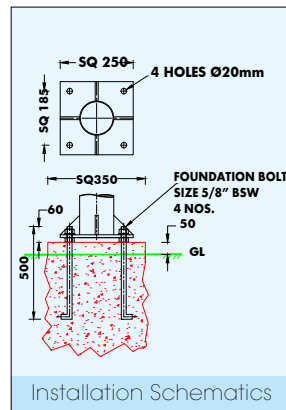
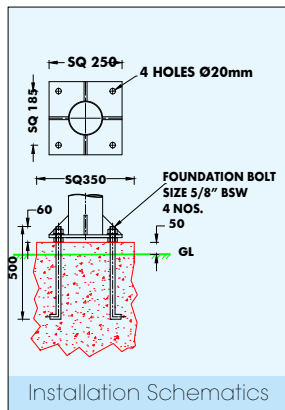


DESCRIPTION

Mild Steel Pole and Luminaire Arm, Silicon rubber gasket, stainless steel screw, Polycarbonate Lens diffuser, corrosion and U.V ray resistant coating.

LED WATTAGE

65 W



DESCRIPTION

Mild Steel Pole and Luminaire Arm, Silicon rubber gasket, stainless steel screw, Polycarbonate Lens diffuser, corrosion and U.V ray resistant coating.

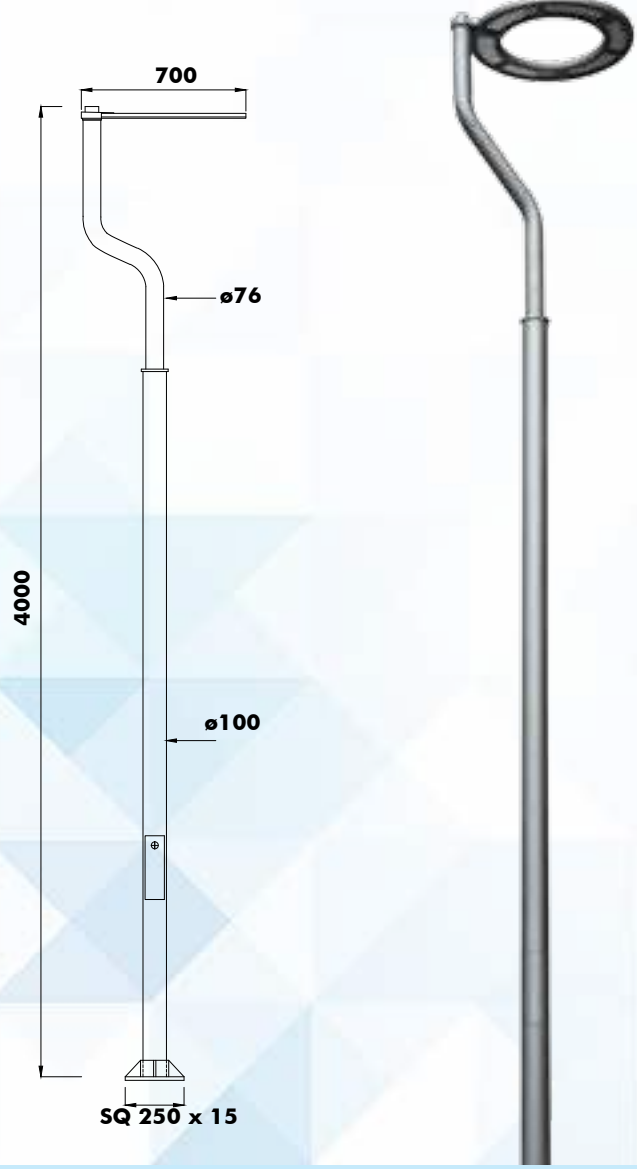
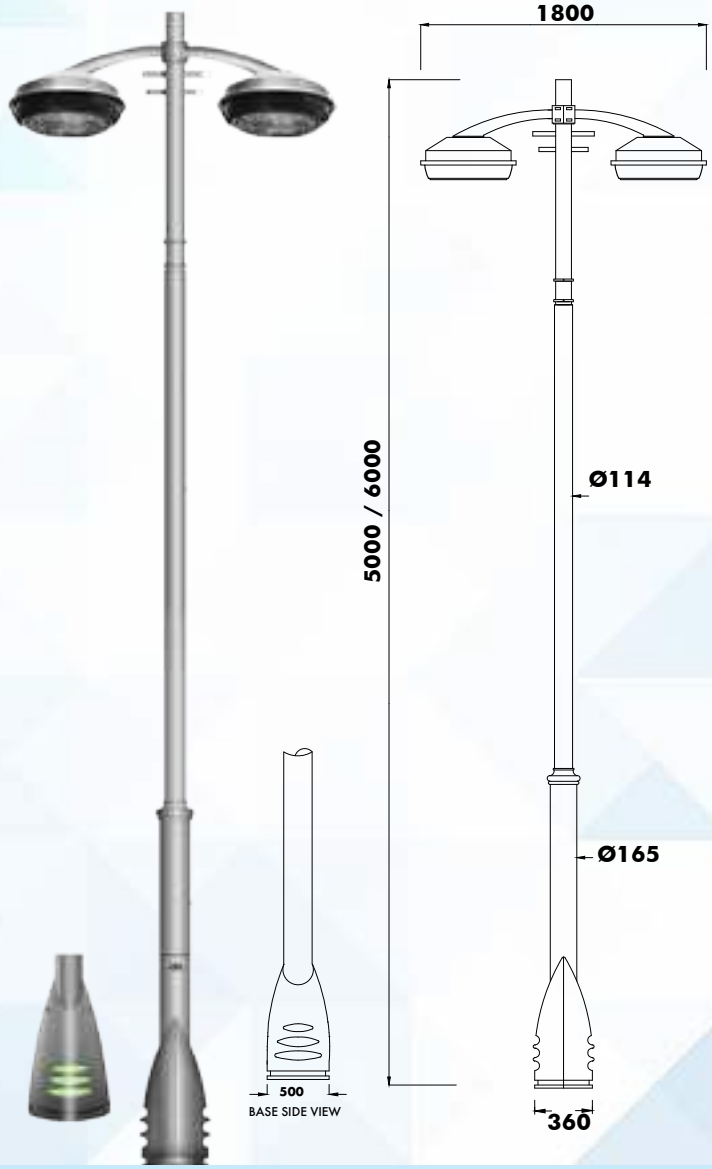
LED WATTAGE

2 x 65W

LUMINAIRE IP RATING (OPTICAL AREA) - IP 65

HL - 2868

HL-2853

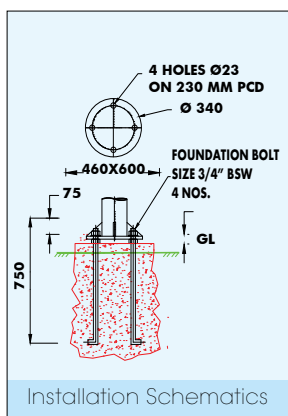


DESCRIPTION

Mild Steel Pole, Cast Aluminium Embellishments, Cast & Spun Aluminium Lighting Fixture, Silicon rubber gasket, stainless steel screw, toughened glass, corrosion and U.V ray resistant coating.

LED WATTAGE
2 x 54 / 75 W

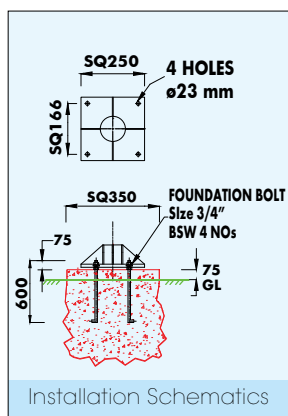
LUMINAIRE IP RATING (OPTICAL AREA) - IP 66
Perforation Area - IP 44



DESCRIPTION

Extruded Aluminium Pole & Bracket, Cast Aluminium pole base plate, Cast Aluminium Lighting fixture, Cast Steel Holding Bracket, Silicon rubber gasket, stainless steel screw, polycarbonate diffuser, corrosion and U.V ray resistant coating

LED WATTAGE
50 / 60 / 70 W



HL - 2965

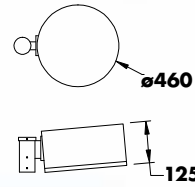
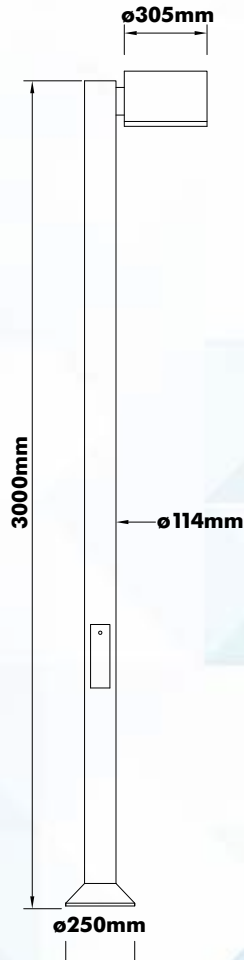
HL-MSP-223-2991



HL - 2326



HL-2991

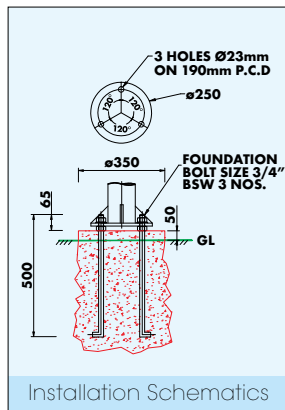


DESCRIPTION

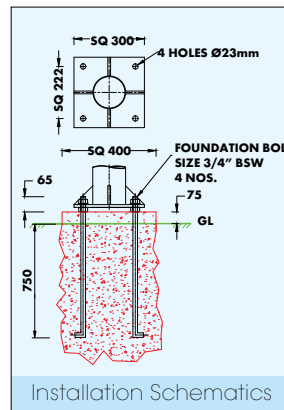
Mild steel pole, cast and spun aluminium lighting fixture, toughened glass, silicon rubber gasket, stainless steel screws, corrosion and U.V ray resistant coating.

LED WATTAGE

36 W



Installation Schematics



Installation Schematics

DESCRIPTION

Mild steel pole, aluminium lighting fixture, toughened glass diffuser, silicon rubber gasket, stainless steel screws, corrosion & U.V ray resistant coating.

LED WATTAGE

54/75/83 W

LUMINAIRE IP RATING (OPTICAL AREA) - IP 65

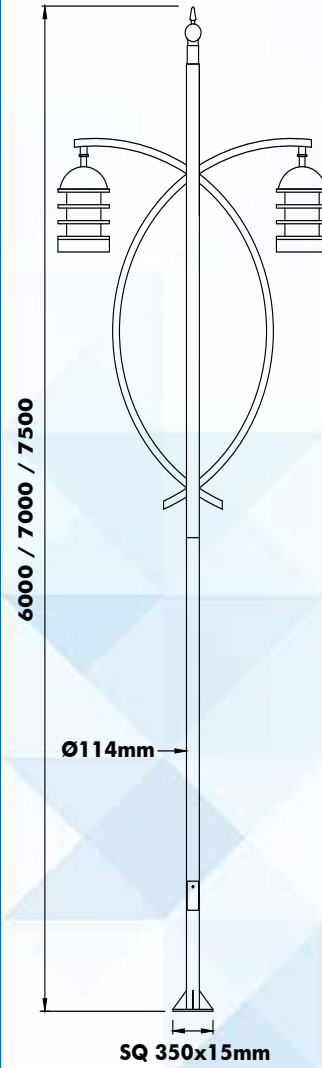
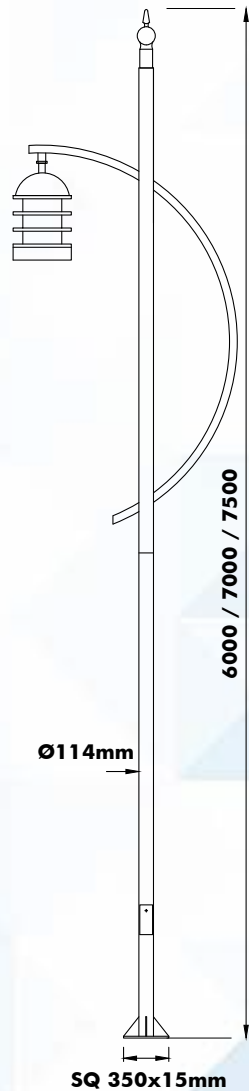
HL-MSP-267-2394



HL - 2394

HL - 2394

HL-MSP-267-2394-2

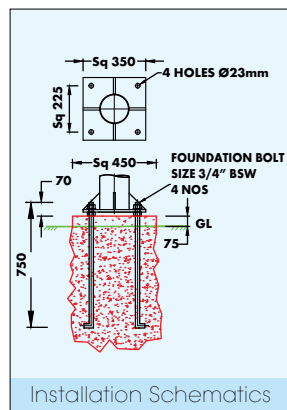


DESCRIPTION

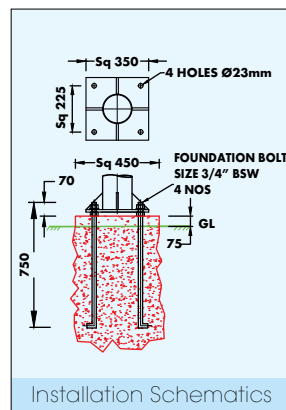
Mild steel Pole, Cast & Spun Aluminium Lighting fixture, Silicon rubber gasket, stainless steel screw, Toughened Glass diffuser corrosion and U.V ray resistant coating.

LED WATTAGE

54 / 75 / 83 W



Installation Schematics



Installation Schematics

DESCRIPTION

Mild steel Pole, Cast & Spun Aluminium Lighting fixture, Silicon rubber gasket, stainless steel screw, Toughened Glass diffuser corrosion and U.V ray resistant coating.

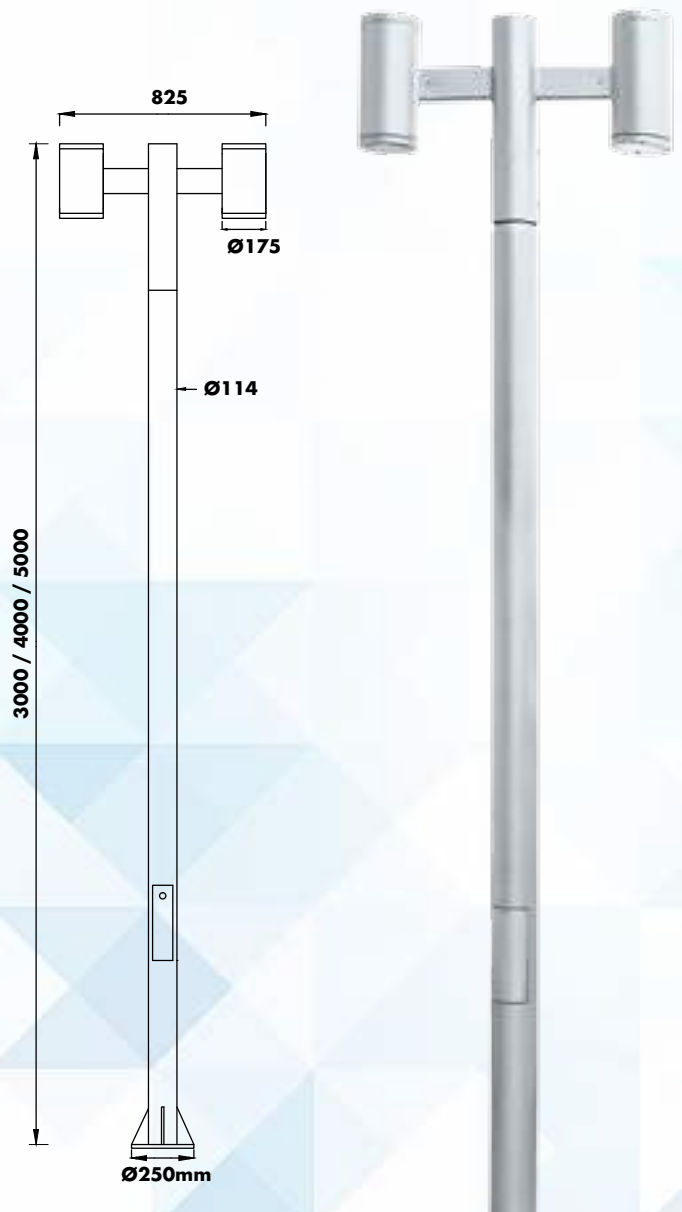
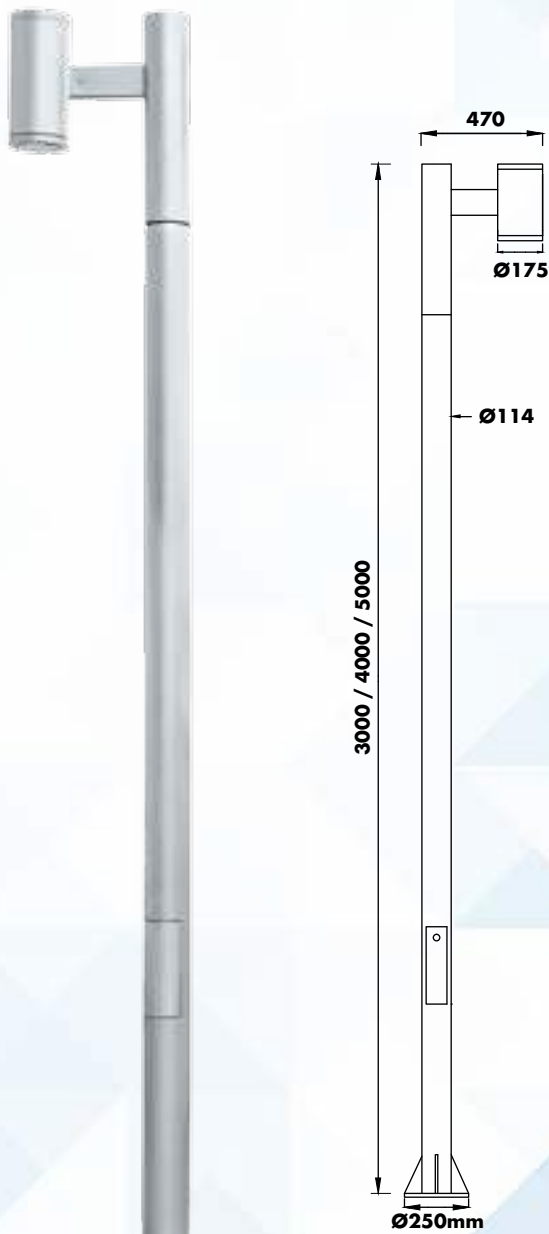
LED WATTAGE

54 / 75 / 83 W

LUMINAIRE IP RATING (OPTICAL AREA) - IP 66

HL-2869

HL-2873

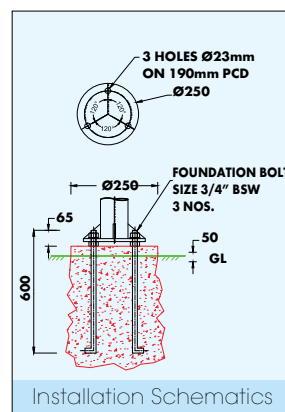
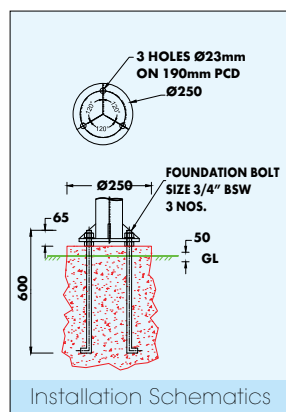


DESCRIPTION

Mild Steel Pole, Cast Aluminium Lighting fixture, Silicon rubber gasket, stainless steel screw, Toughened Glass diffuser, corrosion and U.V ray resistant coating.

LED WATTAGE

18 / 36 W



DESCRIPTION

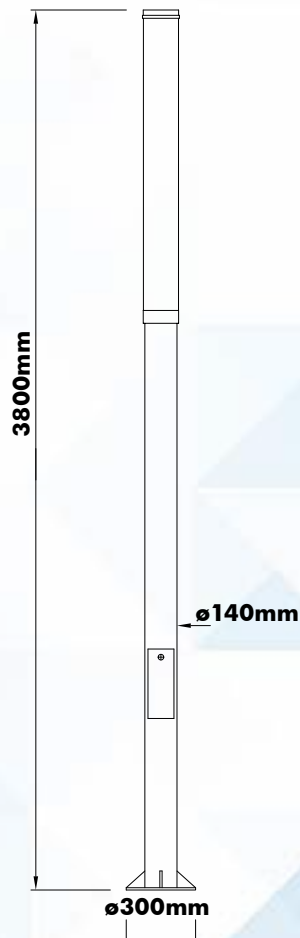
Mild Steel Pole, Cast Aluminium Lighting fixture, Silicon rubber gasket, stainless steel screw, Toughened Glass diffuser, corrosion and U.V ray resistant coating.

LED WATTAGE

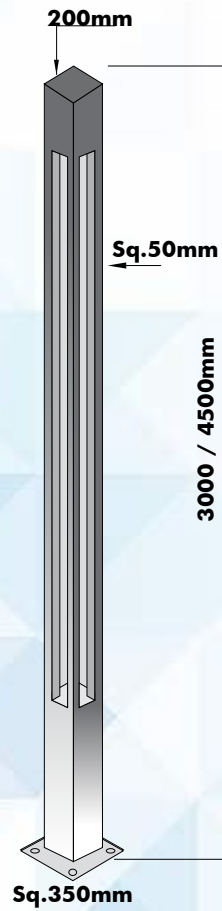
2 x 18 / 36 W

LUMINAIRE IP RATING (OPTICAL AREA) - IP 65

HL - 2955



HL - 2963

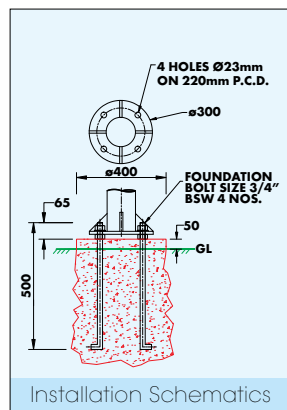


DESCRIPTION

Mild steel pole, cast aluminium caps, Polycarbonate diffuser, stainless steel screws, corrosion and U.V ray resistant coating.

LED WATTAGE

45 W



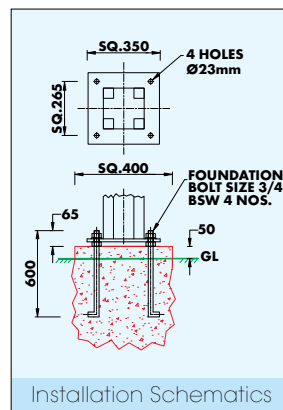
Installation Schematics

DESCRIPTION

Aluminium pole, toughened glass, stainless steel screws, corrosion and U.V ray resistant coating.

LED WATTAGE

40 / 54 W

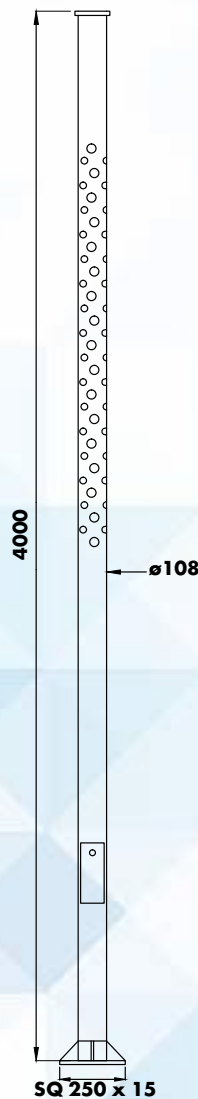
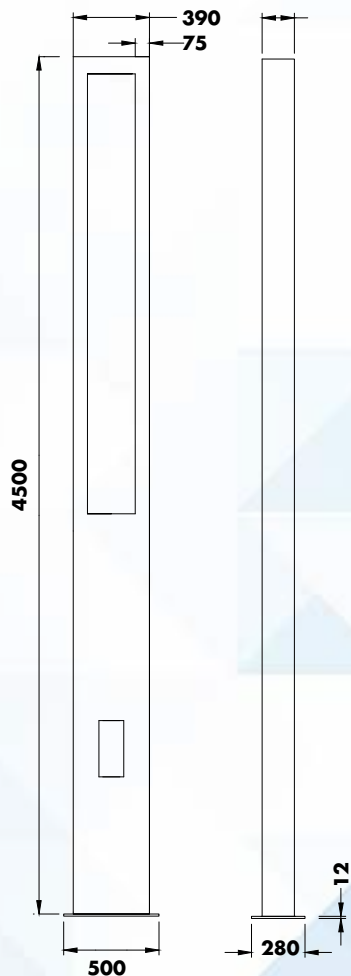


Installation Schematics

LUMINAIRE IP RATING (OPTICAL AREA) - IP 65

HL-2847

HL-2852

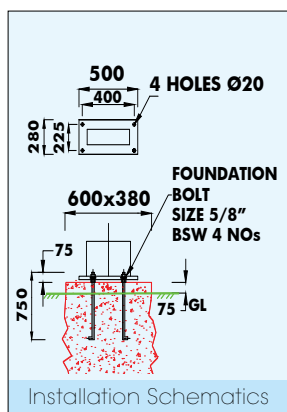


DESCRIPTION

Cast & Extruded Aluminium Lighting fixture, Silicon rubber gasket, stainless steel screw, Toughened Glass diffuser, corrosion and U.V ray resistant coating.

LED WATTAGE

54 W



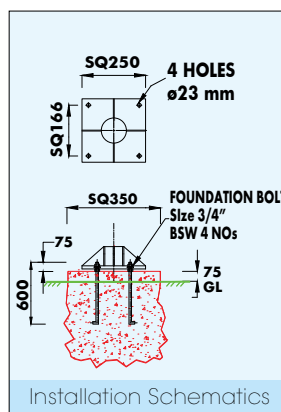
Installation Schematics

DESCRIPTION

Extruded Aluminium Pole, Cast Aluminium Base plate and cap, Silicon rubber gasket, stainless steel screw, polycarbonate diffuser, corrosion and U.V ray resistant coating

LED WATTAGE

45 W



Installation Schematics

LUMINAIRE IP RATING (OPTICAL AREA) - IP 65

LUMINAIRE IP RATING (OPTICAL AREA) - IP 54



OUTDOOR LIGHTING SERIES

POST TOP / STREET / WALL /
CEILING / STEP LIGHTS



CODE NO.	WIDTH	HEIGHT	EXTENSION	INSTALLATION SCHEMATIC/BASE I.D	DESCRIPTION
HL - 2LPM-2982	600	2100		Figure - 13	Cast Aluminium Lighting Fixture, Stainless Steel Screws, Polycarbonate Diffuser, Corrosion & U.V. Ray Resistant Coating.
HL - 1982	175	195	CL-375		
HL - 1980	175	280	240		
HL - 2982	175	265		Figure - 50	
HL - 2984	175	600		Figure - 51	

• Use Lamp - Retrofit LED • CL - Chain Length • All sizes are in mm

POST TOP LIGHTS

HL-2972



HL-2921



HL-2923



HL-2922



HL-2981



HL-2311



HL-2356



HL-2388



HL-2390



CODE NO.	WIDTH	HEIGHT	LED WATTAGE	Luminaire IP	INSTALLATION SCHEMATIC/BASE I.D	DESCRIPTION
HL - 2972	465Ø	735	36 / 54 W	66	78Ø	Cast & Spun Aluminium Lighting Fixtures, Stainless Steel Screws, Corrosion and UV Ray Resistant Coating, Acrylic Diffuser.
HL - 2921	600Ø	540	30 / 40 W	65	65Ø	
HL - 2923	455Ø	355	30 W	65	63Ø	
HL - 2922	600Ø	540	30 / 40 W	65	65Ø	
HL - 2981	350Ø	450	30 / 40 W	65	62Ø	
HL - 2311	505Ø	580	36 / 54 W	65	62Ø	
HL - 2356	Ø405	410	36 W	65	63Ø	
HL - 2388	Ø335	385	36 W	65	63Ø	
HL - 2390	Ø335	385	36 W	65	63Ø	

POST TOP LIGHTS



HL-2351



HL-2363



HL-2396



HL-2352



HL-2397



HL-2381



HL-2380



HL-2312



HL-2305



CODE NO.	WIDTH	HEIGHT	LED WATT.	LUMINAIRE IP	INSTALLATION SCHEMATIC/BASE I.D	DESCRIPTION
HL - 2363	ø290	440	36 / 54 W	66	63ø	Cast & Spun Aluminium Lighting fixture, rubber gasket, stainless steel screw, corrosion and U.V ray resistant coating, Poly Carbonate Diffuser.
HL - 2351	ø290	505	28 / 36 W	66	78ø	
HL - 2380	ø570	600	30 W	65	63ø	
HL - 2352	ø600	505	28 / 36 W	66	78ø	
HL - 2397	ø600	430	60 W	65	63ø	
HL - 2381	ø440	420	36 W	65	50ø	
HL - 2396	ø290	440	36 / 54 W	66	63ø	
HL - 2312	Ø600	485	30 / 40 W	66	77ø	
HL - 2305	Ø290	485	30 / 40 W	66	78ø	

Note: HL - 2351, HL-2363, HL-2396 - Cast Aluminium • HL-2363, HL-2396 - Toughened Glass • HL-2380 - Acrylic Diffuser

POST TOP LIGHTS

HL-2359



HL-2319



HL-2306



HL-2995



HL-2988

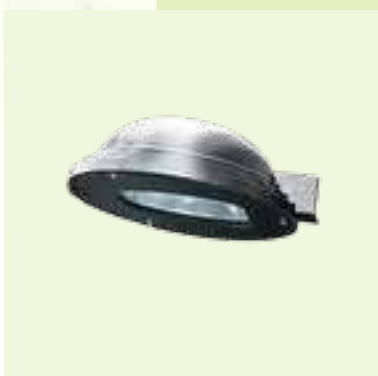


STREET LIGHTS

HL-2991



HL-2951



HL-2326



CODE NO.	WIDTH	HEIGHT	LED WATTAGE	LUMINAIRE IP RATING (OA)	INSTALLATION SCHEMATIC / BASE I.D	DESCRIPTION
HL - 2359	180 x 180	240	10 W	66	Figure - 65	Cast & Spun Aluminium Lighting Fixtures, Stainless Steel Screws, Corrosion and UV Ray Resistant Coating, Toughened Glass Diffuser.
HL - 2319	525ø	520	36 W	65	78ø	
HL - 2306	500ø	760	36 / 54 W	66	78ø	
HL - 2995	600ø	505	28 / 36 W	66	78ø	
HL - 2988	615ø	460	33 / 50 / 60 / 70 W	65	62ø	
HL - 2991	460ø	125	54/ 75/ 83 W	65	63ø	
HL - 2951	500ø	170	54 / 75 W	66	-	
HL - 2326	305ø	195	36 W	65	62ø	

Note: HL-2319 - Acrylic Diffuser • HL-2995, HL-2988 - Poly Carbonate Diffuser • HL-2988 - Cast Aluminium fixture

HL-2331



HL-2332



HL-2333



HL-2334



HL-2335



HL-2336



HL-2384



HL-2394



HL-2987



CODE NO.	WIDTH	HEIGHT	LED WATTAGE	LUMINAIRE IP RATING (OA)	INSTALLATION SCHEMATIC/ BASE I.D	DESCRIPTION
HL - 2331	78x340	52	18 W	66	ø40	Cast Aluminium Lighting Fixtures, Stainless Steel Screws, Corrosion and UV Ray Resistant Coating, Toughened Glass Diffuser.
HL - 2332	133x346	68	30 / 40 W	66	ø40	
HL - 2333	186x391	78	50 / 60 / 70 W	66	ø50	
HL - 2334	231x462	80	90 / 100 W	66	ø50	
HL - 2335	260x520	85	120 / 150 / 200 W	66	ø50	
HL - 2336	290x600	85	250 W	66	ø60	
HL - 2384	320x450	110	54/ 75 W	65	ø63	
HL - 2394	ø450	650	54/ 75/ 83 W	66	-	
HL - 2987	320x450	110	54/ 75/ 83 W	65	ø63	

Note: HL - 2384, HL2987 - Cast & Sheet Aluminium • HL-2394 - Cast & Spun Aluminium, Acrylic Cylindrical Diffuser.

WALL LIGHTS

HL-1235



HL-1227



HL-1231



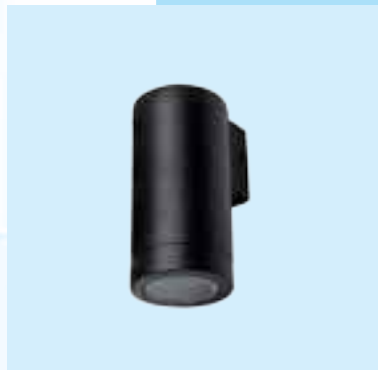
HL-1241



HL-1228



HL-1232



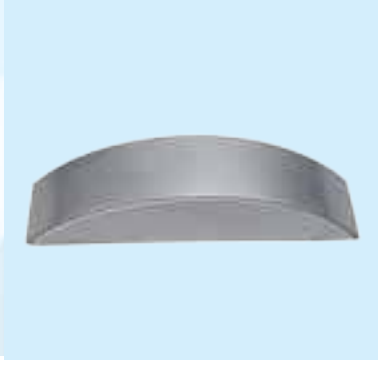
HL-1021



HL-1041



HL-1042



CODE NO.	WIDTH	HEIGHT	EXTENSION	LED WATTAGE	Luminaire IP	DESCRIPTION
HL - 1235	175ø	250	240	18 / 36 W	65	Aluminium Lighting Fixture, Toughened Glass Diffuser, Silicon Rubber Gasket, Stainless Steel Screws, Corrosion & U.V Ray Resistant Coating.
HL - 1227	88x88	255	115	2 x Retrofit LED, GU-10	65	
HL - 1231	80ø	260	105	2 x Retrofit LED, GU-10	65	
HL - 1241	100	100	600	65 W	65	
HL - 1228	88x88	135	118	Retrofit LED, GU-10	65	
HL - 1232	80ø	135	105	Retrofit LED, GU-10	65	
HL - 1021	260	260	90	10 W	65	
HL - 1041	265ø	-	130	10 W	65	
HL - 1042	355	75	90	10 W	44	

Note: HL-1241, HL-1021, HL-1041, HL-1042 - Polycarbonate Diffuser • HL-1241 Mild Steel Body

HL-4001



HL-4005



HL-4015



HL-4006



HL-4007



HL-4026



HL-4025



CODE NO.	WIDTH	HEIGHT	EXTENSION	LAMP	Luminaire IP	DESCRIPTION
HL - 4001	185ø	-	22	10 / 20 W	44	CRCA Housing, Corrosion Resistant Powder Coating, Sand Blasted Glass Diffuser.
HL - 4005	250ø	-	90	10 W	20	
HL - 4015	315ø	-	75	20 W	20	
HL - 4006	260ø	-	85	10 W	20	
HL - 4007	305ø	-	85	20 W	20	
HL - 4026	100ø	150	-	Retrofit LED GU-10	65	
HL - 4025	150ø	240	-	24 / 36 W	65	

Note: HL-4001, HL- 4006, HL-4007- Acrylic Diffuser • HL-4005, HL-4015 Glass Diffuser
 • HL - 4025, HL - 4026 - toughened Glass Diffuser, Aluminium housing

STEP LIGHTS

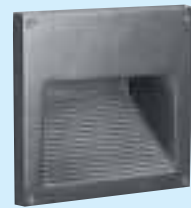
HL-1178



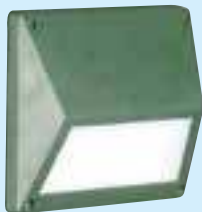
HL-1179



HL-1173



HL-1174



HL-1019



WALL LIGHTS

HL-1015



HL-1075



HL-1222



CODE NO.	WIDTH	HEIGHT	EXTENSION	RECESS DEPTH	LED WATTAGE	Lumi-naire IP	DESCRIPTION
HL - 1178	260	75	10	93	12 W	65	Aluminium Lighting Fixture, Toughened Glass Diffuser, Silicon Rubber Gasket, Stainless Steel Screws, Corrosion & U.V Ray Resistant Coating.
HL - 1179	260	75	10	93	12 W	65	
HL - 1173	220	195	18	85	10 W	65	
HL - 1174	220	195	70	85	10 W	65	
HL - 1019	63	310	125	-	8 W	44	
HL - 1015	150	195	205	-	Retrofit LED	20	
HL - 1075	200	270	270	-	Retrofit LED	20	
HL - 1222	310	205	195	-	Retrofit LED	20	

Note: HL-1178, HL-1179, HL-1173 - Toughened Glass Diffuser • HL-1174, HL- 1019 - Acrylic Diffuser
• HL-1015, HL-1075, HL-1222 Glass Diffuser, No Gasket.



BOLLARD LIGHTS OUTDOOR SPOTLIGHTS

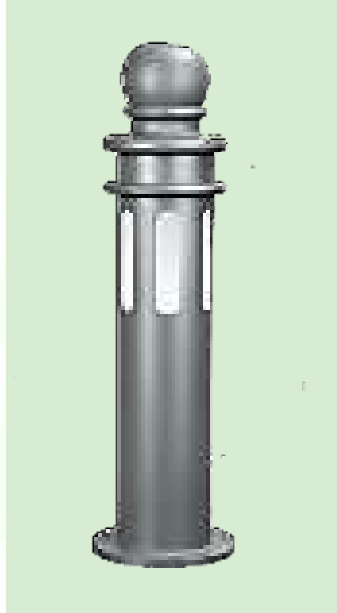
BOLLARD LIGHTS



HL-2274



HL-2281



HL-2272



HL-2296



HL-2297



HL-2299



CODE NO.	WIDTH	HEIGHT	LED WATTAGE	Luminaires IP	INSTALLATION SCHEMATIC	DESCRIPTION
HL - 2272	145x145	245 / 600	9 / 12 W	54	Figure-33	Aluminium Lighting Fixtures, Stainless Steel Screws, Corrosion and UV Ray Resistant Coating, Polycarbonate Diffuser.
HL - 2274	145x145	245 / 600	9 / 12 W	54	Figure-33	
HL - 2281	Ø190	800	9 / 12 W	54	Figure-34	
HL - 2296	235	555	10 W	65	Figure - 21	
HL - 2297	235	555	10 W	65	Figure - 21	
HL - 2299	Ø295	580	10 W	65	Figure-34	

Note: HL-2272, HL-2274, HL-2281 Also available in Retrofit LED option
 • HL-2272/2274- Mild Steel Body • HL-2281- Acrylic Diffuser, HL-2299-Toughened Glass

HL-2250 A, B



HL-2220 A, B



HL-2295 A, HL-2295 B



HL-2298



HL-2916



HL-2278



CODE NO.	WIDTH	HEIGHT	LED WATTAGE	INSTALLATION SCHEMATIC	DESCRIPTION
HL - 2220 A	165ø	460	9 / 12 W	Figure - 24	Aluminium Lighting Fixtures, Stainless Steel Screws, Corrosion and UV Ray Resistant Coating, Polycarbonate Diffuser, Mild Steel Stand.
HL - 2220 B	165ø	765	9 / 12 W	Figure - 24	
HL - 2250 A	165ø	435	9 / 12 W	Figure - 24	
HL - 2250 B	165ø	740	9 / 12 W	Figure - 24	
HL - 2295 A	120ø	750	9 / 12 W	Figure - 20	
HL - 2295 B	120ø	1000	9 / 12 W	Figure - 20	
HL - 2298	300	600 / 930	10 W	Figure -44	
HL - 2916	190x100	920	Retrofit LED	Figure -53	
HL -2278	165ø	490 / 790	Retrofit LED	Figure -24	

Note: HL-2298 Toughened Glass • HL-2298, HL-2916 - Aluminium Stand
 • HL-2250 A/B & HL-2220 A/B, HL-2295 A/B Also available in Retrofit LED option

BOLLARD LIGHTS

HL-2271



HL-2286



HL-2267



HL-2252



HL-2997



HL-2269



CODE NO.	WIDTH	HEIGHT	LED WATTAGE	Luminarire IP	INSTALLATION SCHEMATIC	DESCRIPTION
HL - 2271	190x190	600/1090	9 / 12 W	65	Figure-31	Aluminium Lighting Fixtures, Stainless Steel Screws, Corrosion and UV Ray Resistant Coating, Acrylic Diffuser.
HL - 2252	350ø	1025	9 / 12 W	65	Figure-27	
HL - 2267	350ø	1000	9 / 12 W	65	Figure-27	
HL - 2286	340ø	755	12 W	65	Figure-49	
HL - 2269	230ø	505	Retrofit LED	65	-	
HL - 2997	140ø	815	20 W	54	Figure - 24	

Note- HL-2271 - Polycarbonate Diffuser • HL-2997 - Mild Steel Stand • HL-2271, HL-2252, HL-2267 - Also available in Retrofit LED



LUMINAIRE IP RATING (OPTICAL AREA) - IP 65

CODE NO.	WIDTH	HEIGHT	LAMP	INSTALLATION SCHEMATIC	DESCRIPTION
HL - 2375	100ø	1000	10 W	Figure - 27	Cast & Extruded Aluminium Lighting fixture, Silicon rubber gasket, stainless steel screw, polycarbonate diffuser, corrosion and U.V ray resistant coating
HL - 2377	165ø	1000	20 W	Figure - 46	
HL - 2370	200x200	1000/1200	30 W	Figure - 64	
HL - 2343	110 x75	720	10 W	Figure - 67	
HL - 2368	150x150	300	10 W	Figure - 68	
HL - 2346	200ø	600	17 W	Figure - 66	
HL - 2345	100x100	690	10 W	Figure - 51	
HL - 2347	300	750	10 W	Figure - 44	

HL-2370, HL-2368, HL-2345, HL-2343, HL-2347 - Toughened Glass

OUTDOOR SPOTLIGHTS

HL-3092



HL-3107



HL-3091



HL-3130



HL-3131



HL-3132



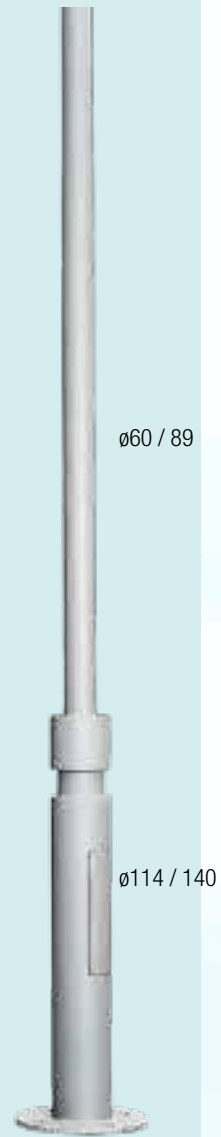
LUMINAIRE IP RATING (OPTICAL AREA) - IP 65

CODE NO.	WIDTH	HEIGHT	LED WATTAGE	Luminaire IP	DESCRIPTION
HL - 3091	100ø	-	Retrofit LED GU-10	65	Cast Aluminium Lighting fixture, Silicon rubber gasket, stainless steel screw, Toughened Glass diffuser, corrosion and U.V ray resistant coating
HL - 3092	100ø	-	Retrofit LED GU-10	65	
HL - 3107	100ø	-	Retrofit LED GU-10	65	
HL - 3130	150ø	310	24 / 36 W	65	
HL - 3131	150ø	310	24 / 36 W	65	
HL - 3132	150ø	310	24 / 36 W	65	



LIGHTING POLES

HL-MSP-225/229



HL-MSP-269



HL-MSP-228



HL-MSP-209



HL-MSP-214



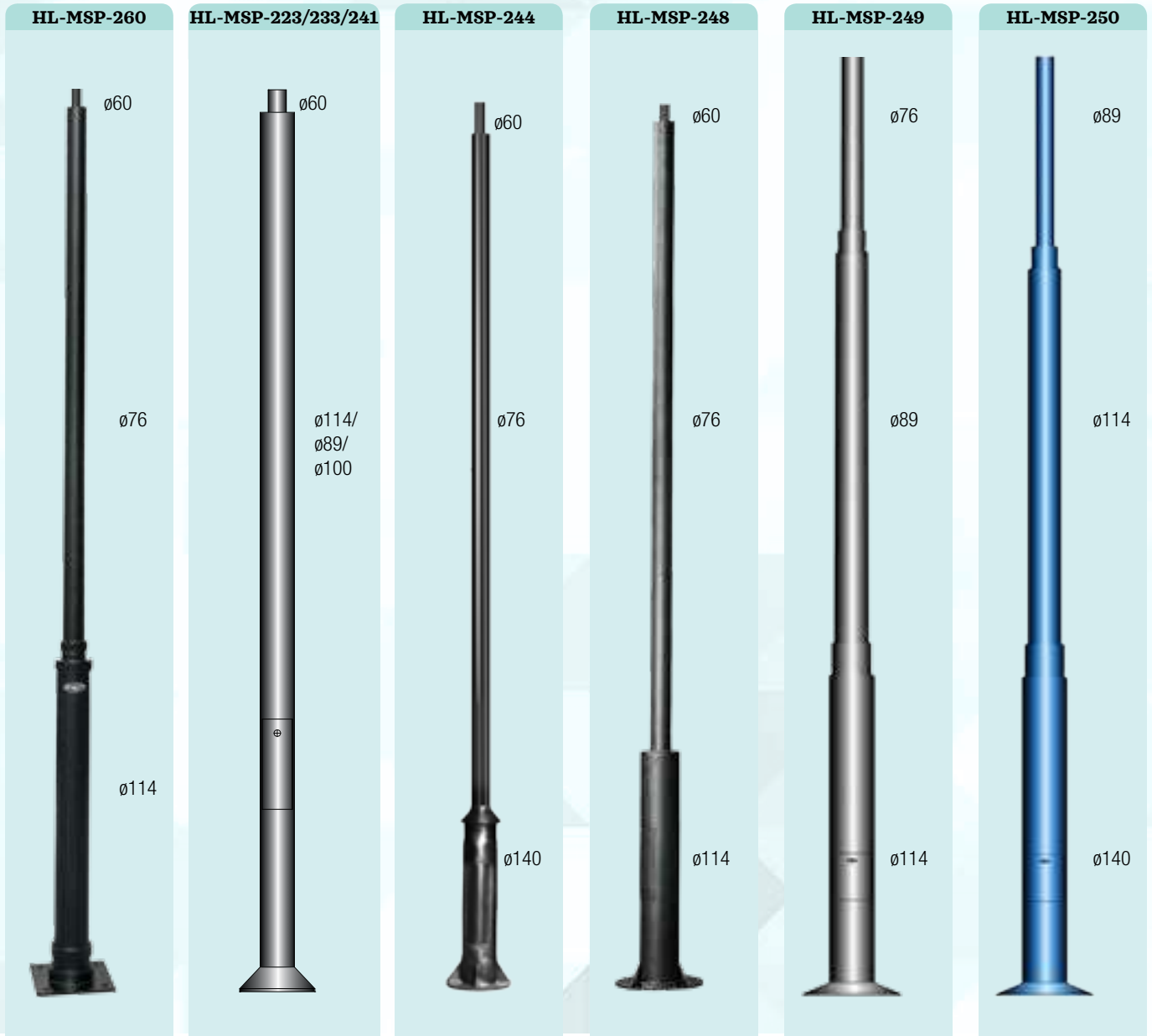
HL-MSP-267



CODE NO.	HEIGHT	INSTALLATION SCHEMATICS	DESCRIPTION
HL - MSP-225	2500 / 3000 / 3500	Figure- 2	Mild Steel Poles, Corrosion and UV Ray Resistant Coating
HL - MSP 229	2925 / 3925 / 4925 / 6000	Figure - 36	
HL - MSP-228	2350 / 3000 / 3500	Figure - 7	
HL - MSP-269	4000 / 5000 / 6000	Figure - 63	
HL - MSP - 209	2440 / 3000 / 3650	Figure - 7	
HL - MSP - 214	2425 / 2925	Figure - 2	
HL - MSP - 267	6000 / 7000 / 7500	Figure - 41	

Note: HL-MSP-214/ HL-MSP-228/ HL-MSP-269 Cast Aluminium Embellishments

* Height of pole can be changed according to customer's requirements.



CODE NO.	HEIGHT	INSTALLATION SCHEMATICS	DESCRIPTION
HL-MSP-223	3000/ 4000/ 5000/ 6000	Figure - 2	Mild Steel Pole, Corrosion & U.V Rays Resistant Coating.
HL-MSP-233	3000/4000	Figure - 7	
HL-MSP-241	3000/ 4000	Figure - 2	
HL-MSP-244	2500/3000/3500	Figure - 2	
HL-MSP-248	3000/ 4000/ 4500	Figure - 2	
HL-MSP-249	5000/ 6000/ 7000	Figure - 4	
HL-MSP-250	6000/ 7000/ 8000	Figure - 41	
HL-MSP-260	3000 / 4000	Figure - 35	

Note: HL-MSP-244 - Cast Iron Embellishments

Note: HL-MSP-260 - Cast Aluminium Embellishments

POLE BRACKETS

POLE BRACKETS

HL-PBKT-102-1



WIDTH	HEIGHT
590	500

HL-PBKT-102-2



WIDTH	HEIGHT
1150	500

HL-PBKT-108-1



WIDTH	HEIGHT
1100/1600	1100

HL-PBKT-108-2



WIDTH	HEIGHT
2150/3150	1100

HL-PBKT-120-1



WIDTH	HEIGHT
1000/1500	1100

HL-PBKT-120-2



WIDTH	HEIGHT
2000/3000	1100

HL-PBKT-121-1

WIDTH	HEIGHT
1000/1500	1100

HL-PBKT-121-2

WIDTH	HEIGHT
2000/3000	1100

HL-PBKT-126-1

WIDTH	HEIGHT
1000/1500	1000

HL-PBKT-126-2

WIDTH	HEIGHT
2000/3000	1000

HL-PBKT-128-1

WIDTH	HEIGHT
1000/1500	1000

HL-PBKT-128-2

WIDTH	HEIGHT
2000/3000	1000

HL-PBKT-129-1

WIDTH	HEIGHT
1000/1500	1100

HL-PBKT-129-2

WIDTH	HEIGHT
2000/3000	1100

HL-PBKT-130-1

WIDTH	HEIGHT
1000/1500	1100

HL-PBKT-130-2

WIDTH	HEIGHT
2000/3000	1100

HL-PBKT-134-1

WIDTH	HEIGHT
1000/1500	1100

HL-PBKT-134-2

WIDTH	HEIGHT
2000/3000	1100

HL-PBKT-140-1



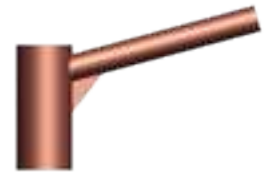
WIDTH	HEIGHT
750	600

HL-PBKT-140-2



WIDTH	HEIGHT
1500	600

HL-PBKT-141-1



WIDTH	HEIGHT
375	200

HL-PBKT-141-2



WIDTH	HEIGHT
675	200

HL-PBKT-142-1



WIDTH	HEIGHT
590	250

HL-PBKT-142-2



WIDTH	HEIGHT
1080	250

HL-PBKT-143-1



WIDTH	HEIGHT
1000/1500	300

HL-PBKT-143-2



WIDTH	HEIGHT
2000/3000	300

HL-PBKT-144-1



WIDTH	HEIGHT
1500	1530

HL-PBKT-144-2



WIDTH	HEIGHT
3000	1530

HL-PBKT-145-1

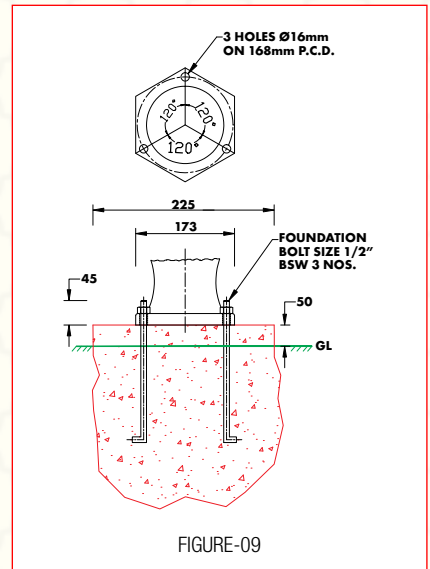
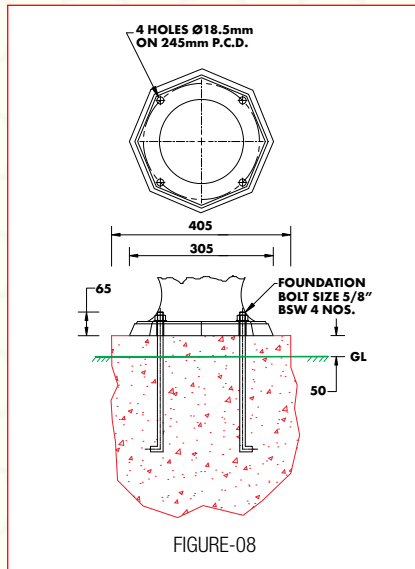
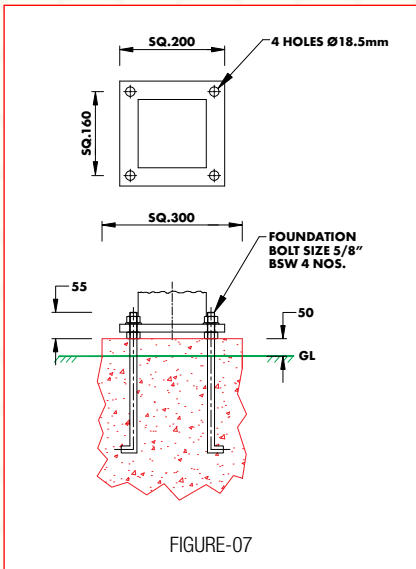
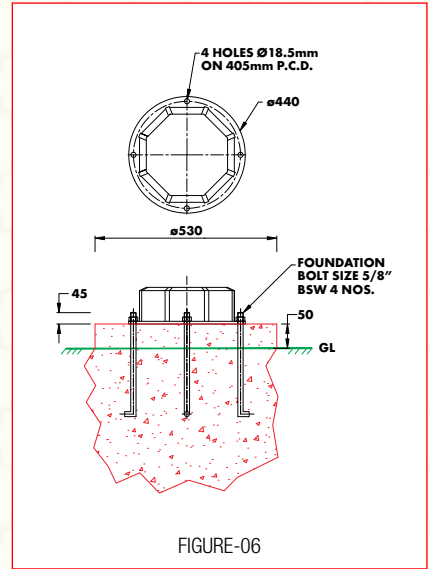
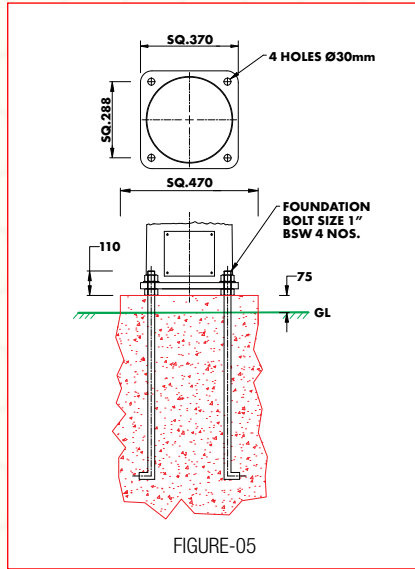
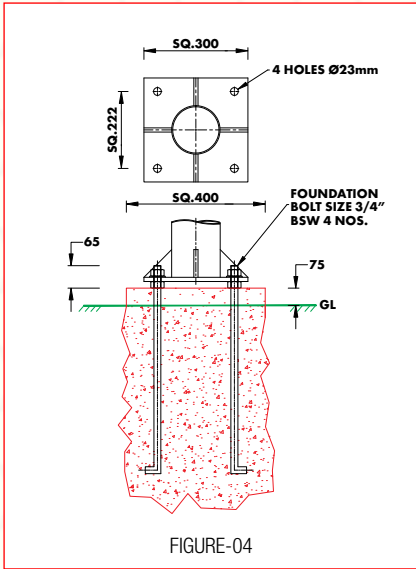
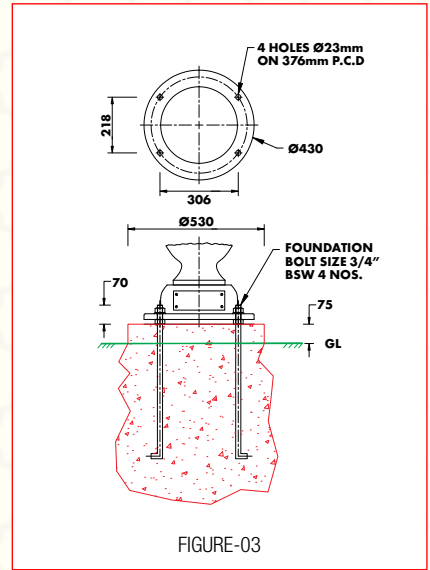
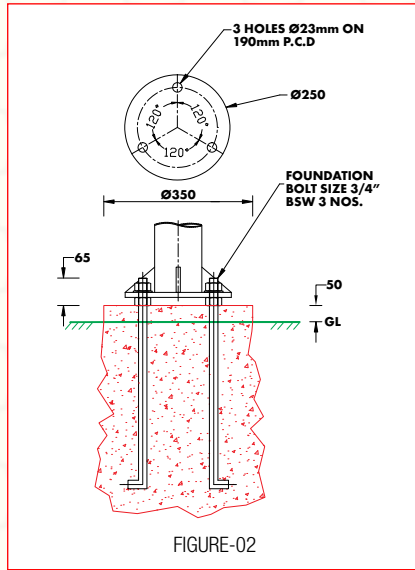
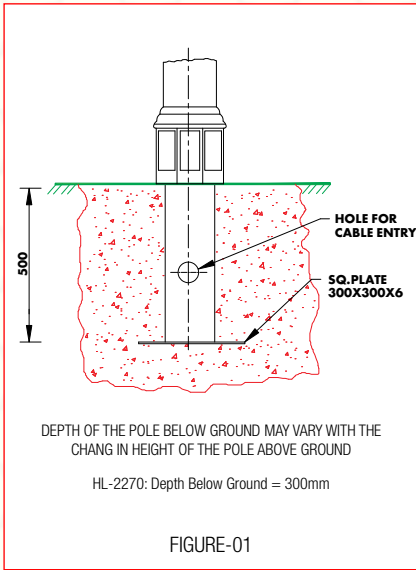


WIDTH	HEIGHT
300	300

HL-PBKT-145-2



WIDTH	HEIGHT
510	300



• Minimum Length of the foundation bolt = 1/6 of the total height of the pole above the ground.

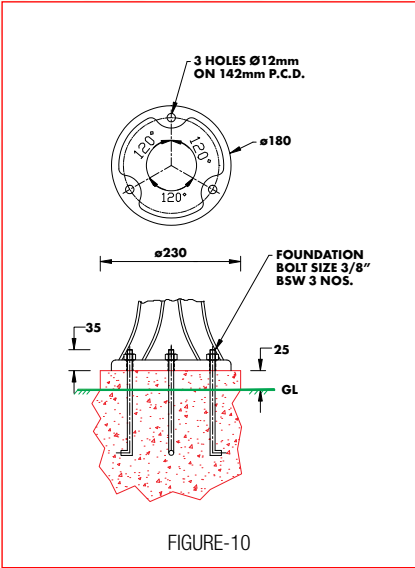


FIGURE-10

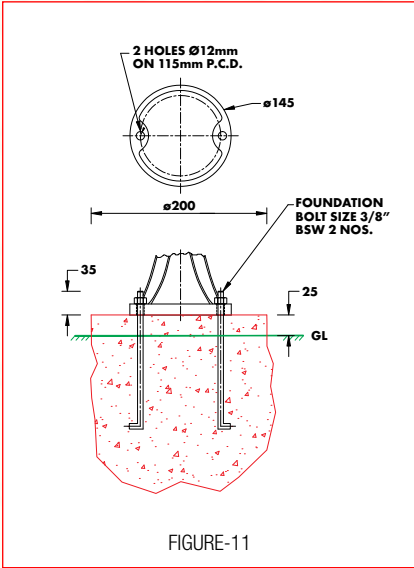


FIGURE-11

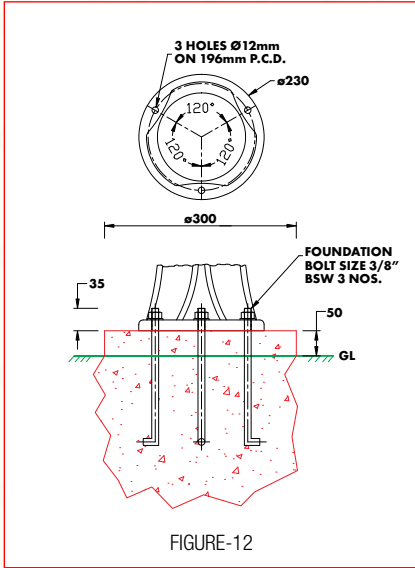


FIGURE-12

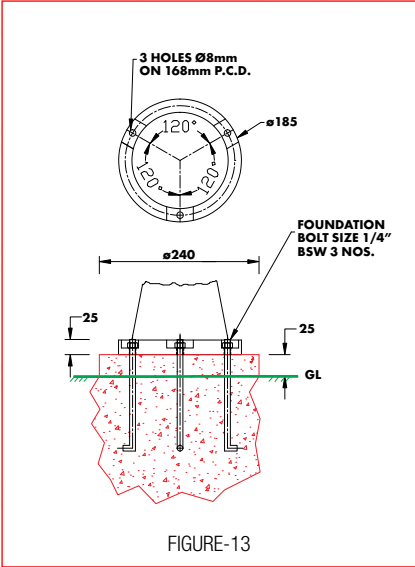


FIGURE-13

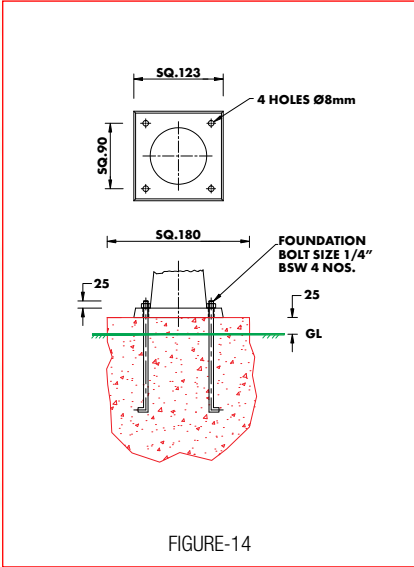


FIGURE-14

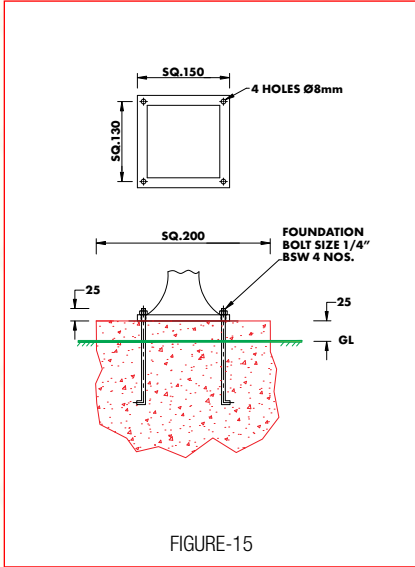


FIGURE-15

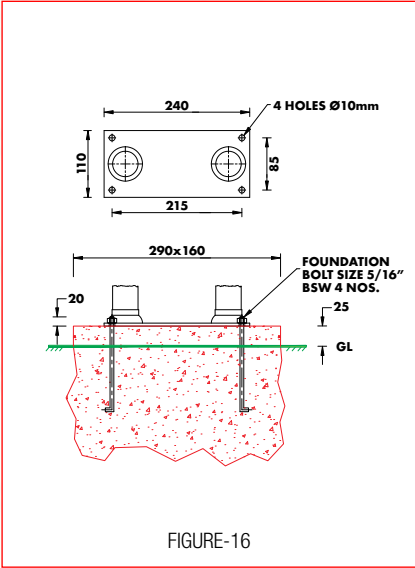


FIGURE-16

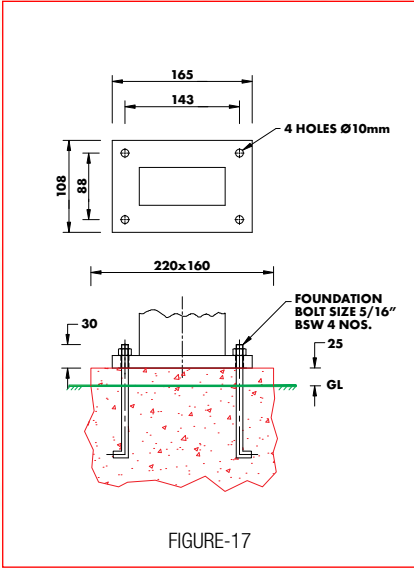


FIGURE-17

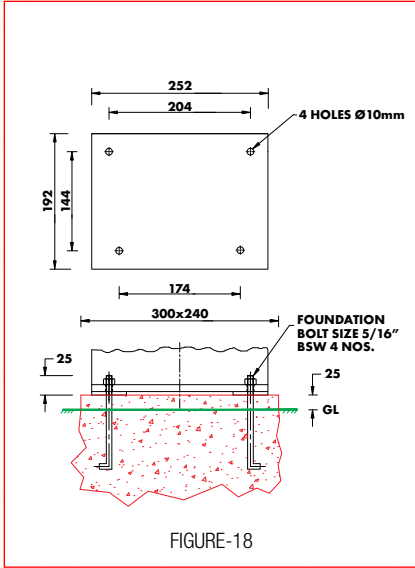


FIGURE-18

• Minimum Length of the foundation bolt = 1/6 of the total height of the pole above the ground.

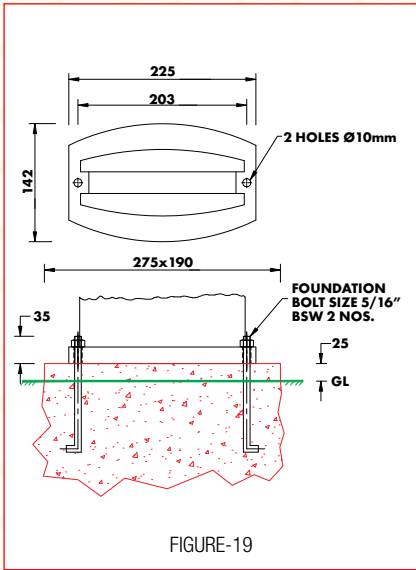


FIGURE-19

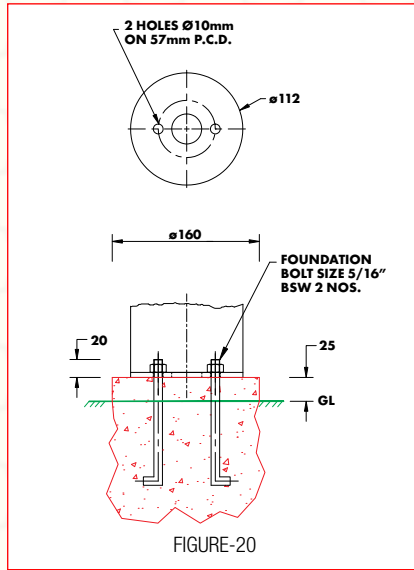


FIGURE-20

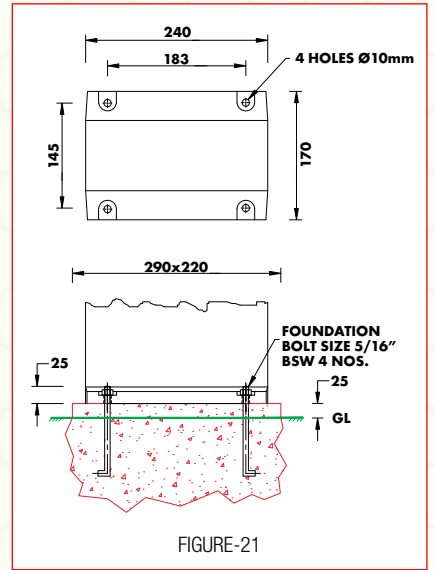


FIGURE-21

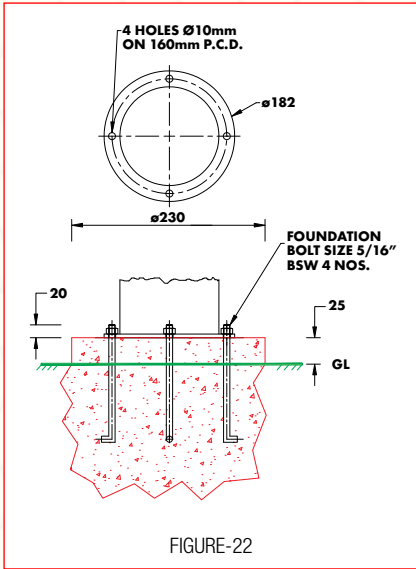


FIGURE-22

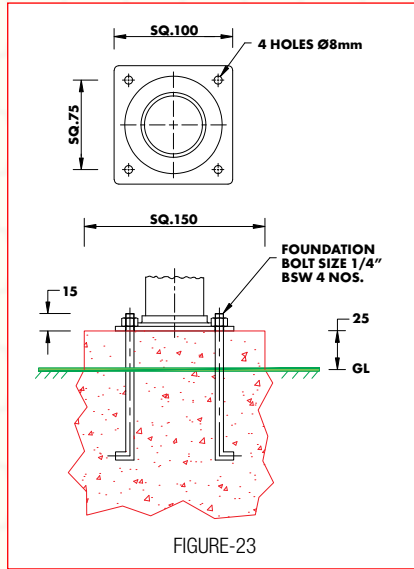


FIGURE-23

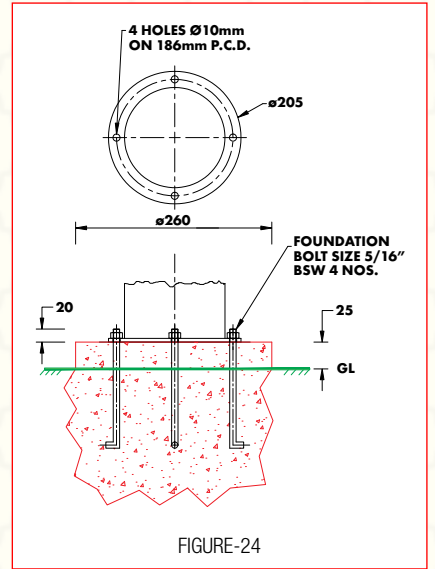


FIGURE-24

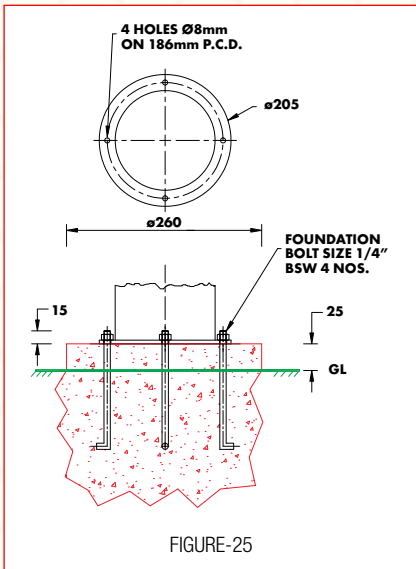


FIGURE-25

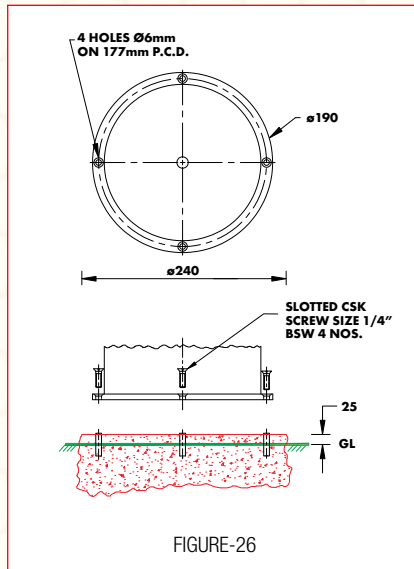


FIGURE-26

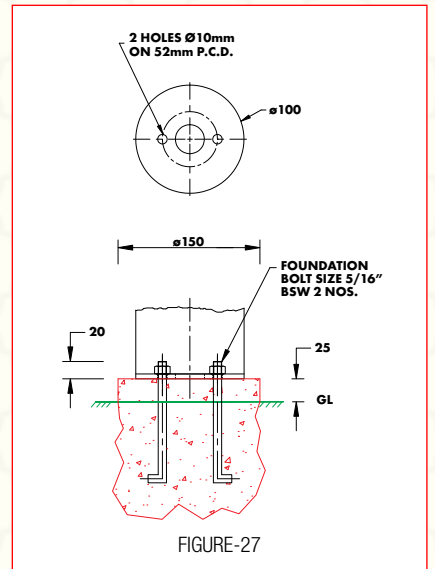
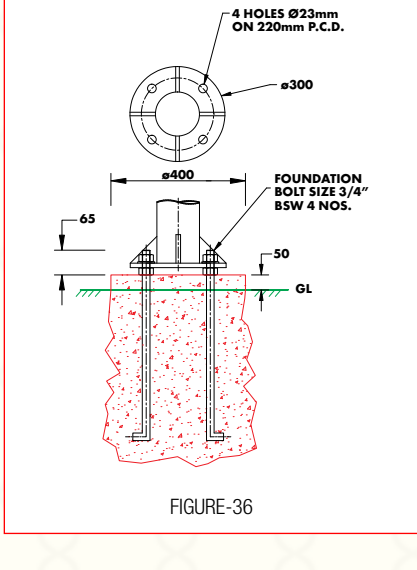
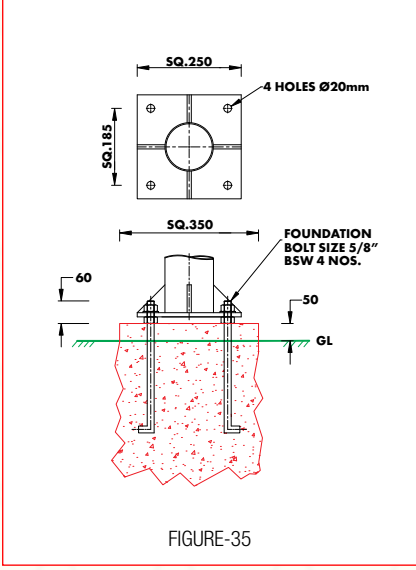
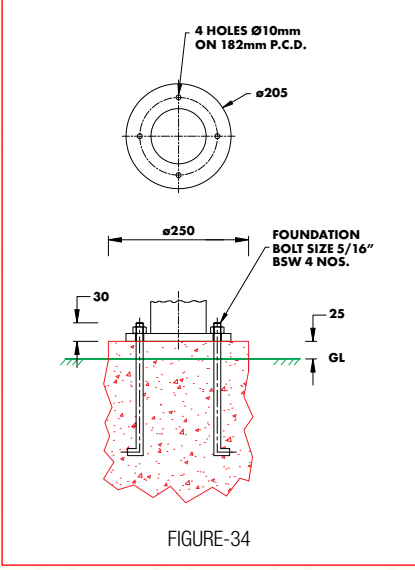
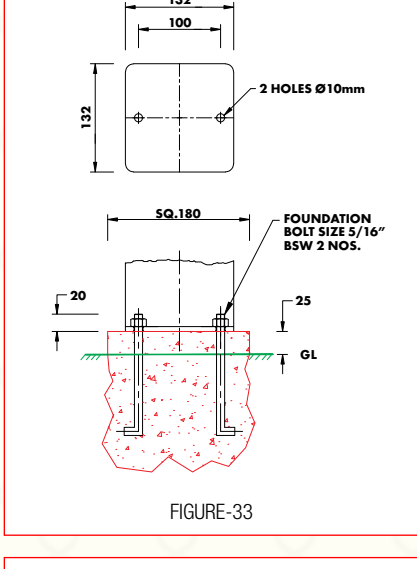
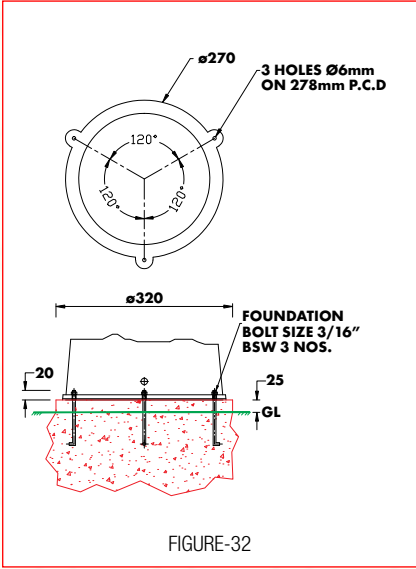
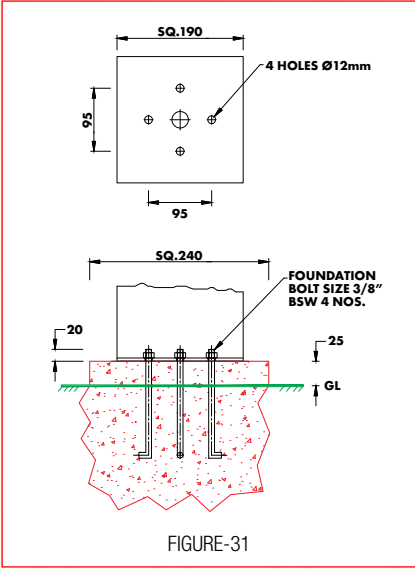
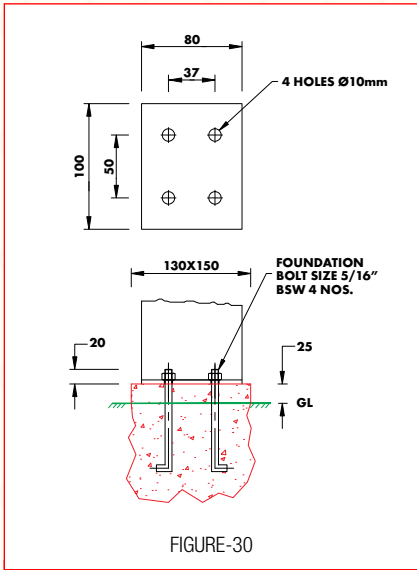
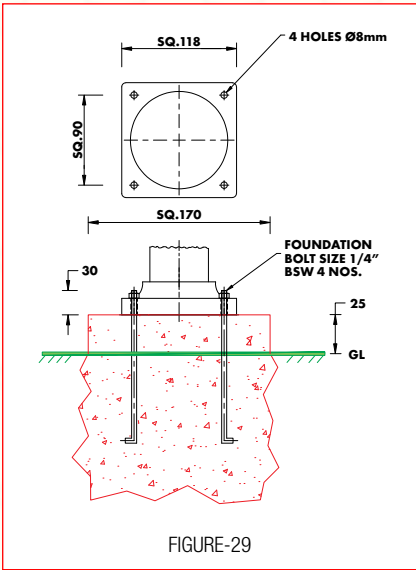
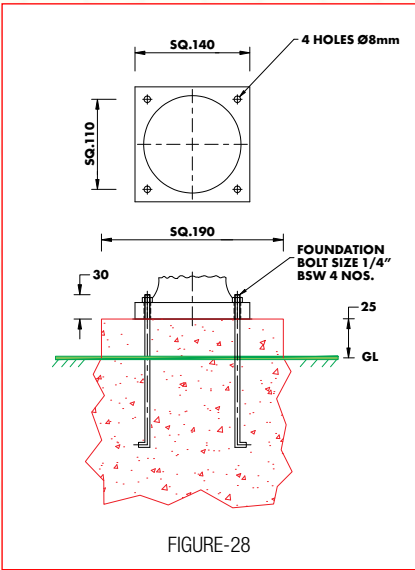


FIGURE-27

• Minimum Length of the foundation bolt = 1/6 of the total height of the pole above the ground.



• Minimum Length of the foundation bolt = 1/6 of the total height of the pole above the ground.

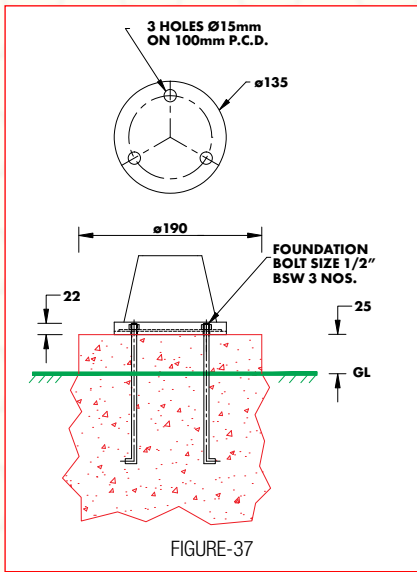


FIGURE-37

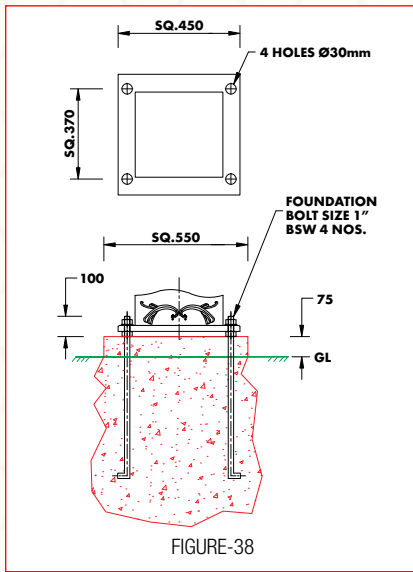


FIGURE-38

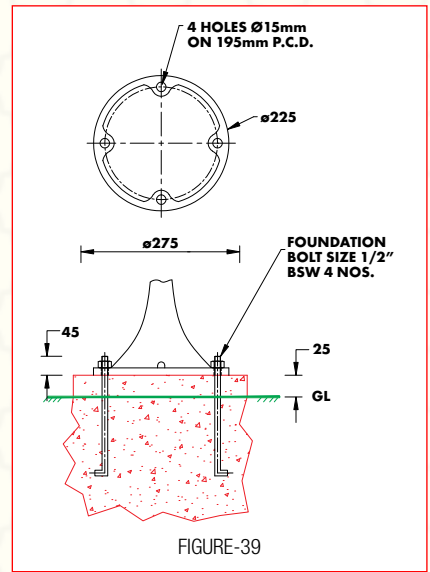


FIGURE-39

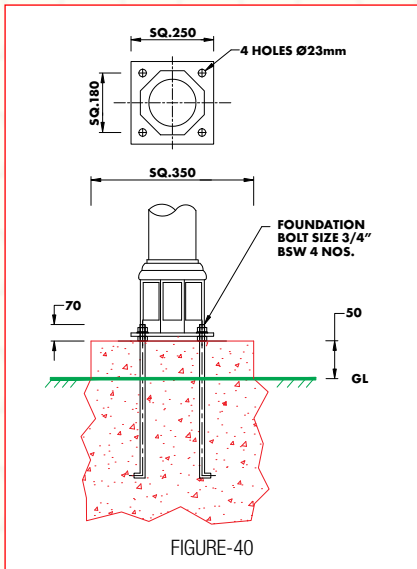


FIGURE-40

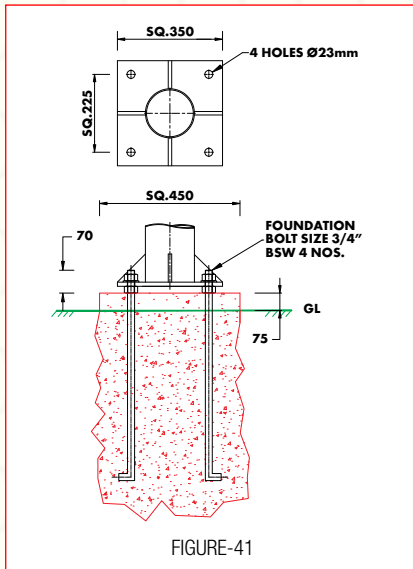


FIGURE-41

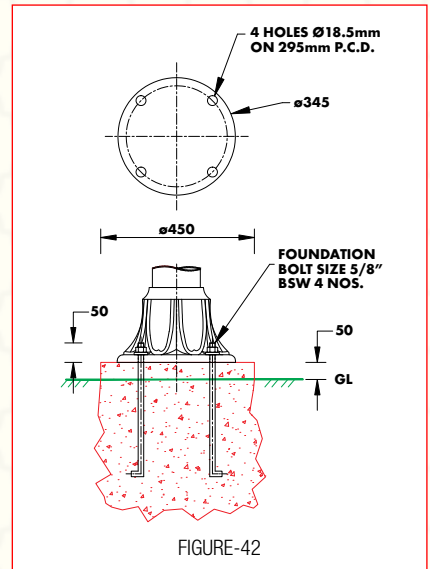


FIGURE-42

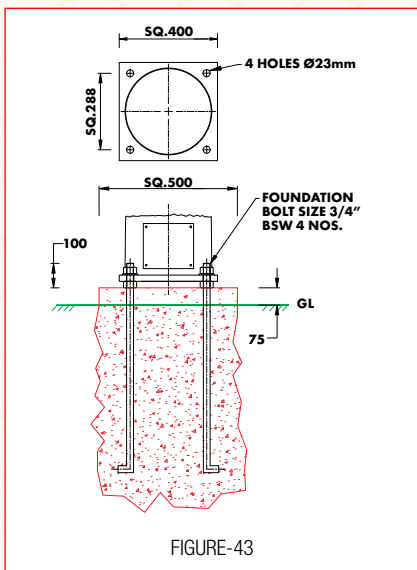


FIGURE-43

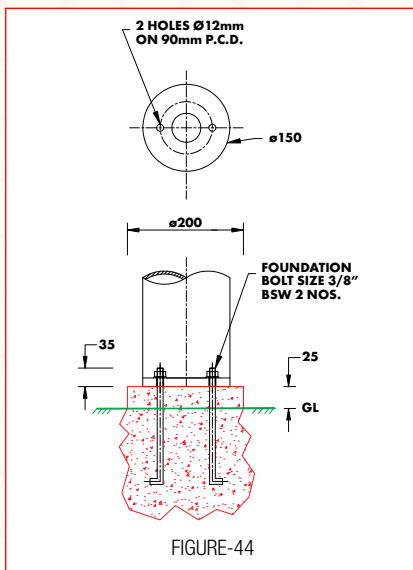


FIGURE-44

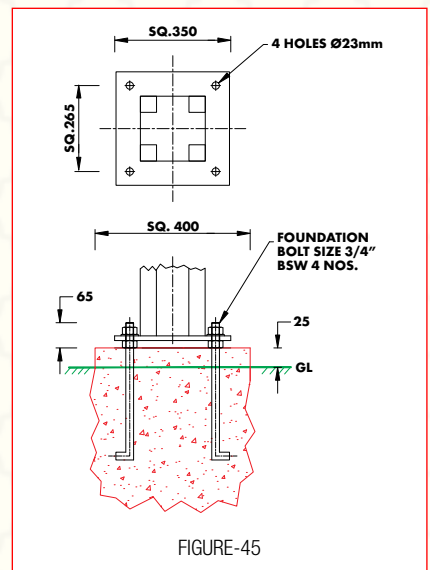


FIGURE-45

• Minimum Length of the foundation bolt = 1/6 of the total height of the pole above the ground.

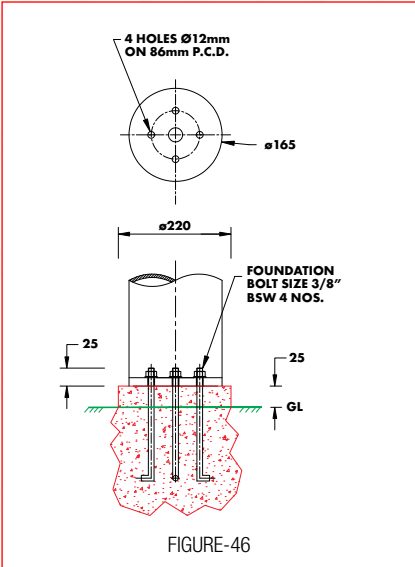


FIGURE-46

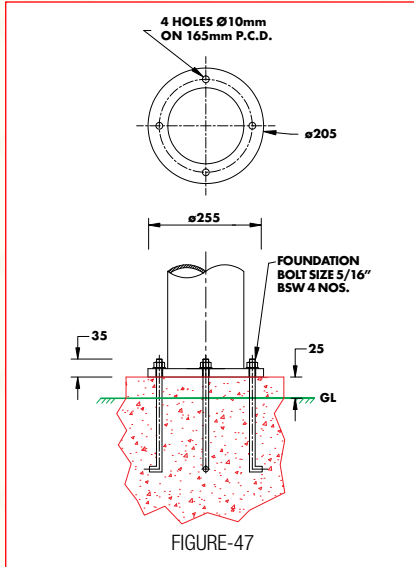


FIGURE-47

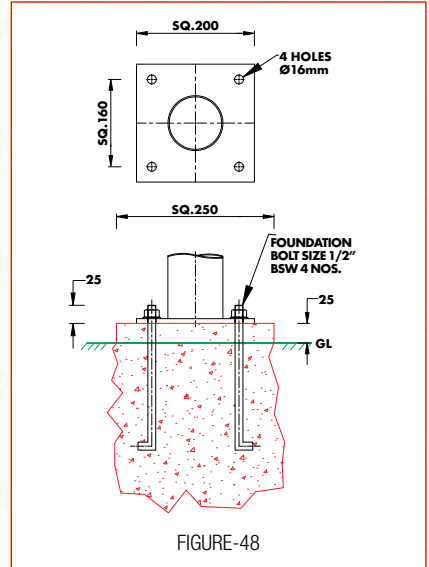


FIGURE-48

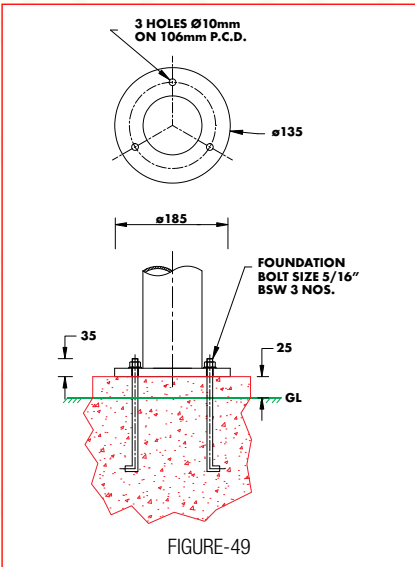


FIGURE-49

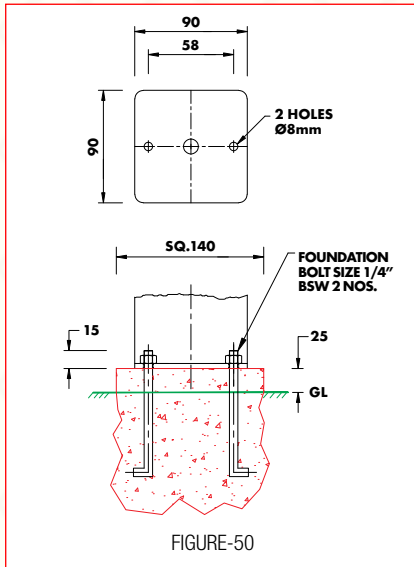


FIGURE-50

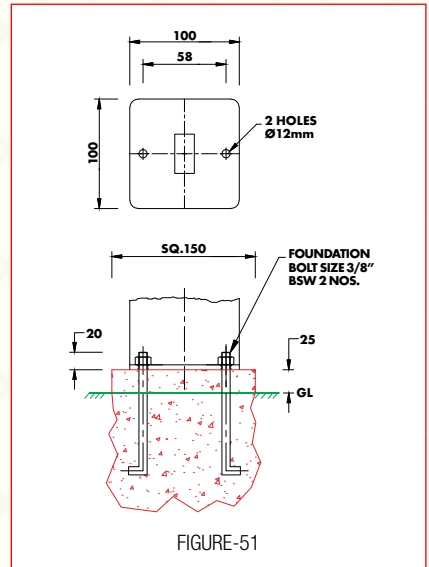


FIGURE-51

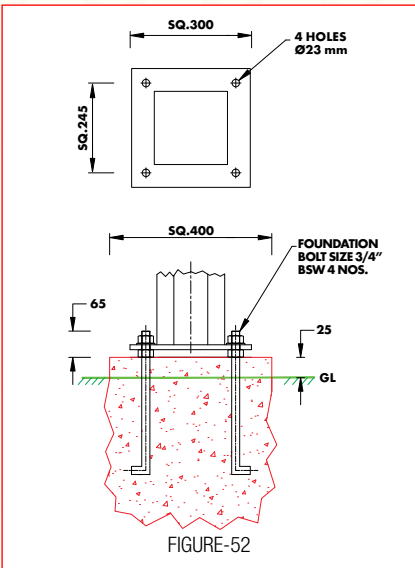


FIGURE-52

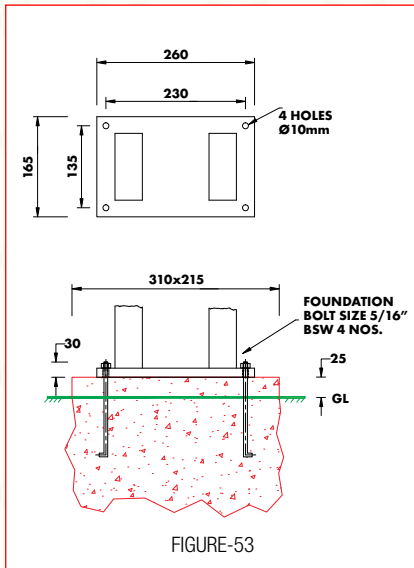


FIGURE-53

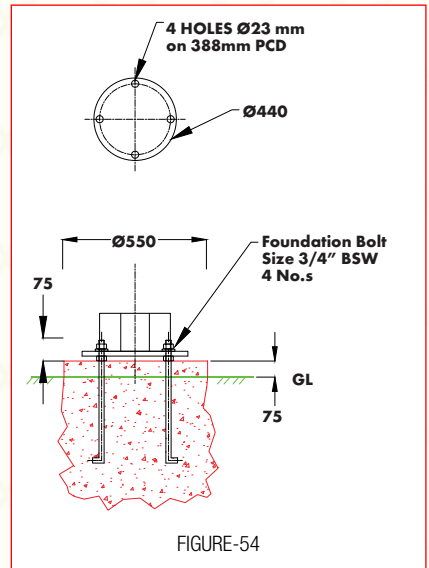
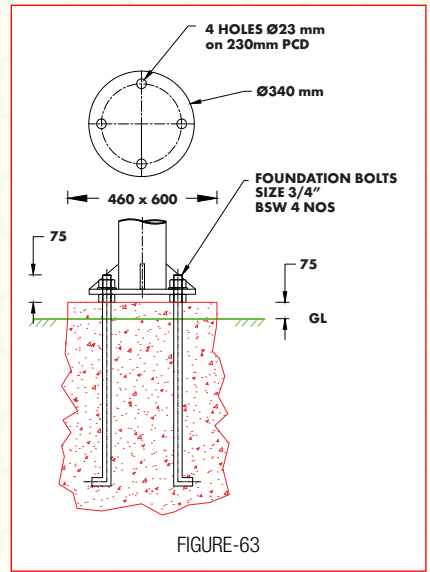
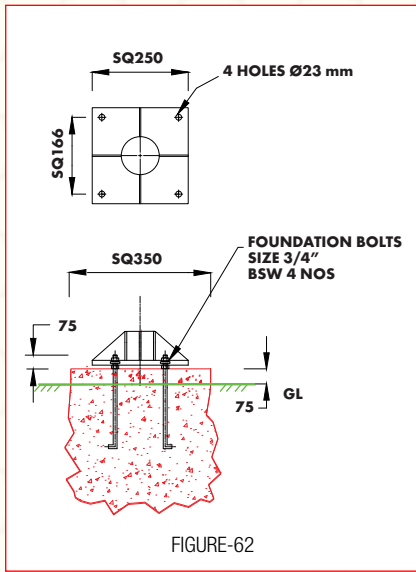
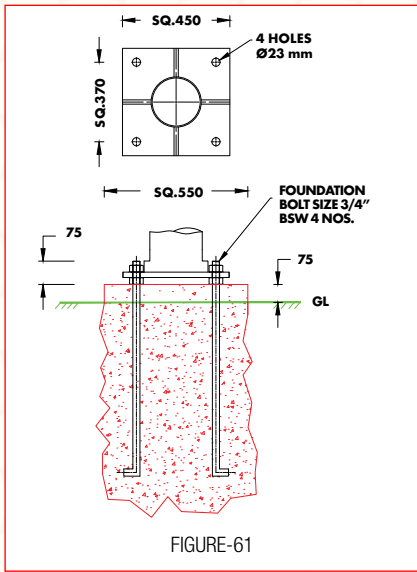
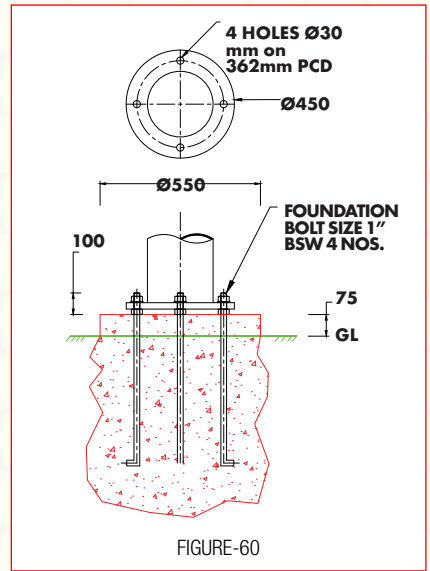
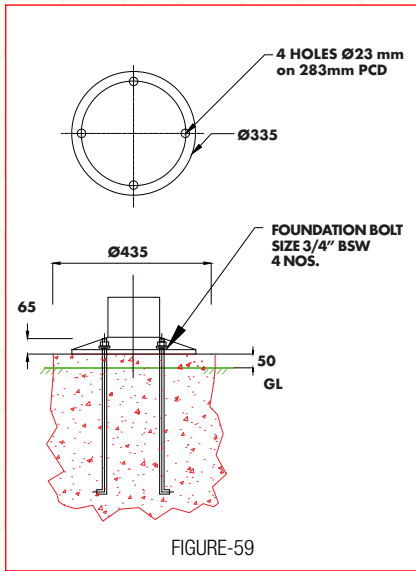
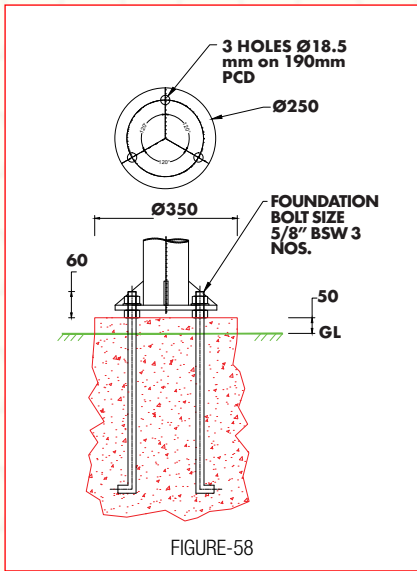
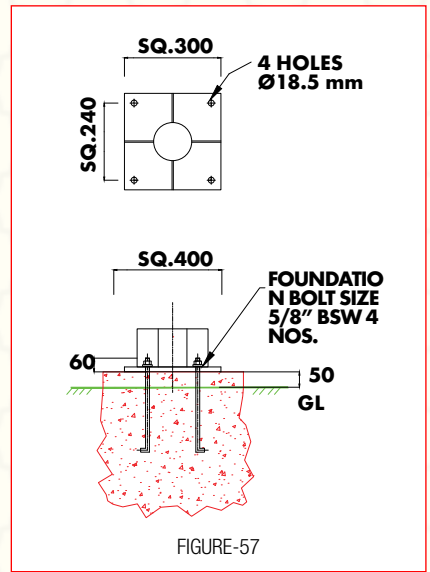
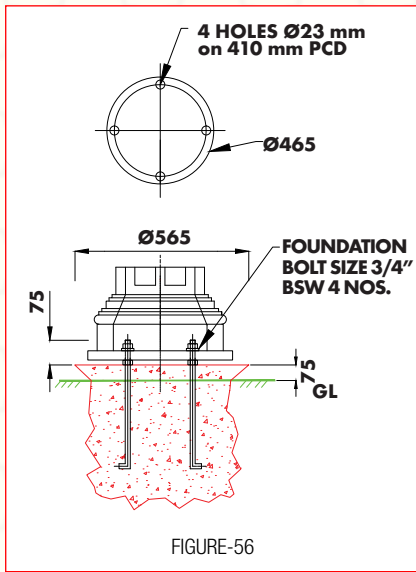
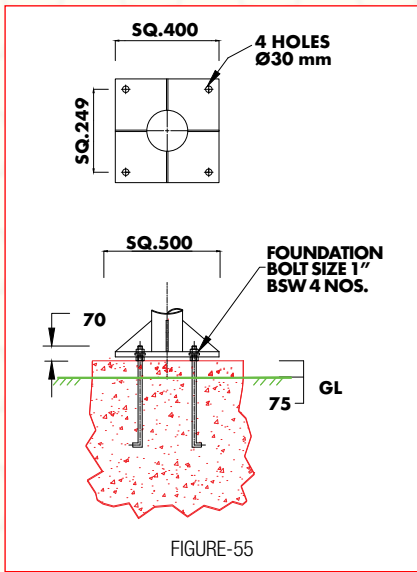


FIGURE-54

• Minimum Length of the foundation bolt = 1/6 of the total height of the pole above the ground.



• Minimum Length of the foundation bolt = 1/6 of the total height of the pole above the ground.

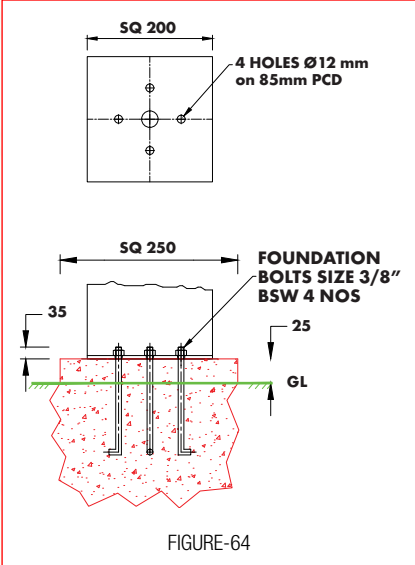


FIGURE-64

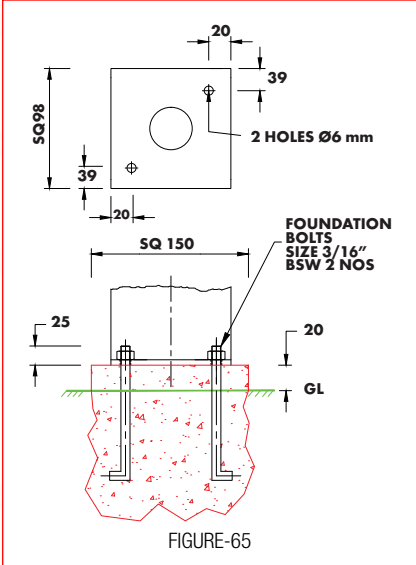


FIGURE-65

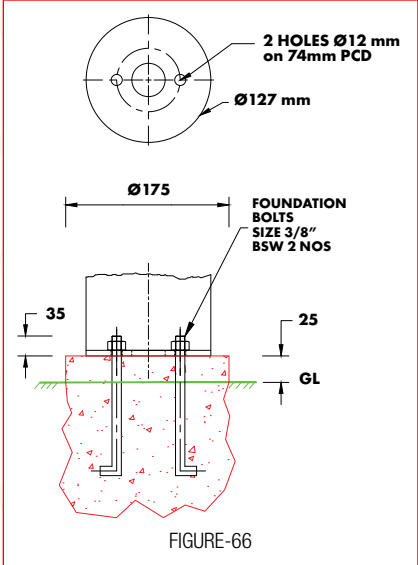


FIGURE-66

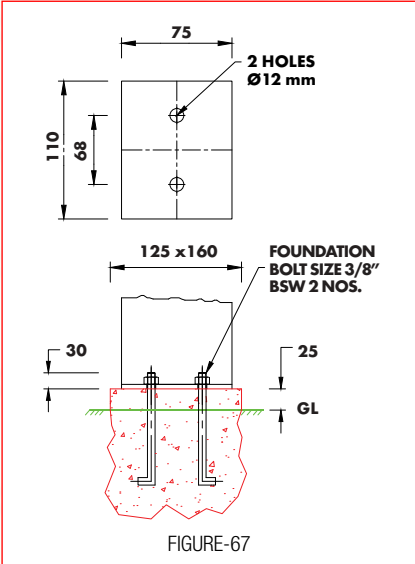


FIGURE-67

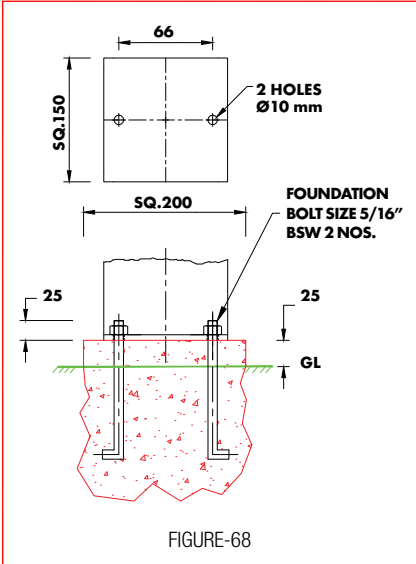


FIGURE-68

• Minimum Length of the foundation bolt = 1/6 of the total height of the pole above the ground.



Dark Brown



Black Gold



Texture Grey



Silver



Black



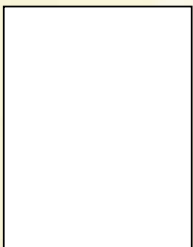
Green



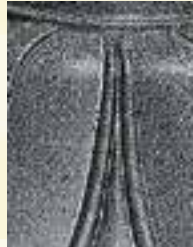
Antique Gold



Green Patina



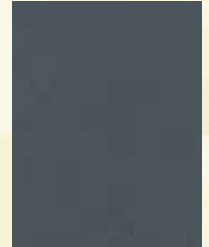
White



Texture Black



Rust Patina



Grey

- All dimensions are approximate within tolerable limits. We retain the right to make any changes for further development.
- CAD drawings are not to scale.
- RETROFIT LED LAMPS are supplied with fixtures at extra cost on request.
- While placing an order, please mention the code number and selected colour from the colour range shown above.
- Lighting fixtures with customised colours are also supplied on request for bulk orders.
- Actual colour shade of the products may vary from the colour shade printed in this catalogue.
- IP rating where ever mentioned is for optical area of luminaire.

HERITAGE
INDEX

ITEM NO.	PAGE NO.	ITEM NO.	PAGE NO.	ITEM NO.	PAGE NO.	ITEM NO.	PAGE NO.	ITEM NO.	PAGE NO.
		HL-1715	43	HL-2371	54	HL-2849	18	HL-CIP-231-2105	49
		HL-1717	43	HL-2372	52	HL-2850	25	HL-CIP-231-2307	26
		HL-1717	55	HL-2373	53	HL-2851	18	HL-CIP-231-2354	31
		HL-1718	43	HL-2374	52	HL-2854	17	HL-CIP-231-2355	31
		HL-1721	45	HL-2382	52	HL-2856	17	HL-CIP-231-2365	32
		HL-1722	45	HL-2383	53	HL-2858	16	HL-CIP-231-2366	32
		HL-1725	45	HL-2385	53	HL-2860	9	HL-CIP-231-2398	33
		HL-1728	45	HL-2386	54	HL-2861	36	HL-CIP-231-2399	33
		HL-1731	46	HL-2387	53	HL-2870	35	HL-CIP-231-2401	34
		HL-1732	46	HL-2389	54	HL-2871	37	HL-CIP-231-2402	34
		HL-1735	46	HL-2395	52	HL-2872	37	HL-CIP-231-2710	23
		HL-1738	46	HL-2398	51	HL-2898	57	HL-CIP-265	60
		HL-1750	48	HL-2399	51	HL-2905	57	HL-MSP-211	63
		HL-1752	48	HL-2401	51	HL-2906	57	HL-MSP-213	63
		HL-1790	48	HL-2402	51	HL-2919	52	HL-MSP-220	63
		HL-1792	48	HL-2605	42	HL-2927	54	HL-MSP-224	64
		HL-1LPB2750	48	HL-2615	42	HL-2957	54	HL-MSP-224-2957	15
HL-1112	49	HL-1LPL-2710	24	HL-2620	52	HL-2958	15	HL-MSP-226	64
HL-1118	49	HL-1LPM2625	44	HL-2625	44	HL-2962	8	HL-MSP-226-2302	23
HL-1162	41	HL-1LPS2110	49	HL-2645	47	HL-2990	7	HL-MSP-226-2313	19
HL-1165	41	HL-1LPS2150	40	HL-2650	39	HL-2996	58	HL-MSP-226-2314	19
HL-1168	41	HL-1LPS2160	41	HL-2655	39	HL-2999	12	HL-MSP-227	64
HL-1212	55	HL-1LPS2605	42	HL-2685	44	HL-2LPB2685	44	HL-MSP-243	65
HL-1213	55	HL-1LPS2625	44	HL-2695	44	HL-2LPM2120	41	HL-MSP-245	65
HL-1214	55	HL-1LPS2650	39	HL-2705	47	HL-2LPM2140	40	HL-MSP-245-2915	21
HL-1215	55	HL-1LPS2705	47	HL-2710	43	HL-2LPM2605	42	HL-MSP-246-2740	22
HL-1239	55	HL-1LPS2715	43	HL-2715	43	HL-2LPM2650	39	HL-MSP-247	65
HL-1240	55	HL-1LPS2725	45	HL-2720	45	HL-2LPM2705	47	HL-MSP-251	63
HL-1242	40	HL-1LPS2735	46	HL-2725	45	HL-2LPM2715	43	HL-MSP-252	63
HL-1248	40	HL-1LPS2790	48	HL-2730	46	HL-2LPM2725	45	HL-MSP-252-2303	21
HL-1272	40	HL-2101	57	HL-2735	46	HL-2LPM2735	46	HL-MSP-255	66
HL-1278	40	HL-2105	49	HL-2740	43	HL-2LPM2790	48	HL-MSP-258	65
HL-1282	41	HL-2110	49	HL-2750	48	HL-3LPB2150	40	HL-MSP-259	66
HL-1285	41	HL-2120	41	HL-2790	48	HL-3LPB2160	41	HL-MSP-259-2382	28
HL-1288	41	HL-2140	40	HL-2801	58	HL-3LPB2615	42	HL-MSP-261	64
HL-1292	39	HL-2150	40	HL-2802	58	HL-3LPB2645	47	HL-MSP-261-2383	28
HL-1602	42	HL-2160	41	HL-2803	58	HL-3LPB2715	43	HL-MSP-262	66
HL-1605	42	HL-2175	40	HL-2804	58	HL-3LPB2725	45	HL-MSP-262-2373	30
HL-1607	42	HL-2190	39	HL-2807	6	HL-4LPB2650	39	HL-MSP-263	66
HL-1607	55	HL-2270	57	HL-2808	6	HL-4LPB2735	46	HL-MSP-263-2374	30
HL-1608	42	HL-2302	51	HL-2810	9	HL-ALP-201	60	HL-MSP-264	66
HL-1612	42	HL-2303	52	HL-2811	7	HL-ALP-202	60	HL-MSP-264-2395	27
HL-1622	44	HL-2307	52	HL-2814	10	HL-ALP-203	60	HL-MSP-266	67
HL-1625	44	HL-2313	53	HL-2816	10	HL-ALP-204	61	HL-MSP-266-2372	27
HL-1628	44	HL-2314	53	HL-2817	20	HL-ALP-205	61	HL-MSP-266-2385	29
HL-1642	47	HL-2318	54	HL-2818	22	HL-ALP-206	61	HL-MSP-268	67
HL-1650	39	HL-2329	54	HL-2819	5	HL-ALP-207	61	HL-MSP-268-2387	29
HL-1652	39	HL-2354	51	HL-2821	5	HL-ALP-215	60	HL-MSP-270	67
HL-1662	39	HL-2355	51	HL-2822	11	HL-ALP-219	60	HL-MSP-271	67
HL-1668	39	HL-2357	54	HL-2823	11	HL-ALP-219-2710	26	HL-PBKT-101-1	69
HL-1682	44	HL-2358	54	HL-2836	20	HL-CIP-210	62	HL-PBKT-101-2	69
HL-1702	47	HL-2360	53	HL-2839	12	HL-CIP-212	62	HL-PBKT-103-1	69
HL-1705	47	HL-2361	53	HL-2840	13	HL-CIP-216	62	HL-PBKT-103-2	69
HL-1708	47	HL-2362	53	HL-2844	8	HL-CIP-218	62	HL-PBKT-104-1	69
HL-1711	43	HL-2365	51	HL-2845	24	HL-CIP-218-2915	25	HL-PBKT-104-2	69
HL-1712	43	HL-2366	51	HL-2848	16	HL-CIP-231	64	HL-PBKT-105-1	69

ITEM NO.	PAGE NO.	ITEM NO.	PAGE NO.	ITEM NO.	PAGE NO.	ITEM NO.	PAGE NO.	ITEM NO.	PAGE NO.
HL-PBKT-105-2	69			HL-2312	107	HL-2955	102	HL-MSP-244	121
HL-PBKT-106-1	69			HL-2319	108	HL-2961	88	HL-MSP-248	121
HL-PBKT-106-2	69			HL-2326	108	HL-2963	102	HL-MSP-248-2356	84
HL-PBKT-107-1	69			HL-2331	109	HL-2965	99	HL-MSP-249	121
HL-PBKT-107-2	69			HL-2332	109	HL-2967	90	HL-MSP-250	121
HL-PBKT-109-1	70			HL-2333	109	HL-2968	90	HL-MSP-260	121
HL-PBKT-109-2	70			HL-2334	109	HL-2972	106	HL-MSP-260-2380	84
HL-PBKT-110-1	70			HL-2335	109	HL-2976	87	HL-MSP-267	120
HL-PBKT-110-2	70			HL-2336	109	HL-2981	106	HL-MSP-267-2394	100
HL-PBKT-110-3	70			HL-2343	117	HL-2982	105	HL-MSP-267-2394-2	100
HL-PBKT-111-1	70			HL-2345	117	HL-2984	105	HL-MSP-269	120
HL-PBKT-111-2	70			HL-2346	117	HL-2987	109	HL-PBKT-102-1	122
HL-PBKT-112-1	70			HL-2347	117	HL-2988	108	HL-PBKT-102-2	122
HL-PBKT-112-2	70			HL-2351	107	HL-2991	108	HL-PBKT-108-1	122
HL-PBKT-113-1	70			HL-2352	107	HL-2995	108	HL-PBKT-108-2	122
HL-PBKT-113-2	70			HL-2356	106	HL-2997	116	HL-PBKT-120-1	122
HL-PBKT-114-1	70			HL-2359	108	HL-2998	87	HL-PBKT-120-2	122
HL-PBKT-114-2	71	HL-1015	112	HL-2363	107	HL-2LPM-2982	105	HL-PBKT-121-1	123
HL-PBKT-115-1	71	HL-1019	112	HL-2368	117	HL-3091	118	HL-PBKT-121-2	123
HL-PBKT-115-2	71	HL-1021	110	HL-2370	117	HL-3092	118	HL-PBKT-126-1	123
HL-PBKT-116-1	71	HL-1041	110	HL-2375	117	HL-3107	118	HL-PBKT-126-2	123
HL-PBKT-116-2	71	HL-1042	110	HL-2377	117	HL-3130	118	HL-PBKT-128-1	123
HL-PBKT-117-1	71	HL-1075	112	HL-2380	107	HL-3131	118	HL-PBKT-128-2	123
HL-PBKT-117-2	71	HL-1173	112	HL-2381	107	HL-3132	118	HL-PBKT-129-1	123
HL-PBKT-118-1	71	HL-1174	112	HL-2384	109	HL-4001	111	HL-PBKT-129-2	123
HL-PBKT-118-2	71	HL-1178	112	HL-2388	106	HL-4005	111	HL-PBKT-130-1	123
HL-PBKT-119-1	71	HL-1179	112	HL-2390	106	HL-4006	111	HL-PBKT-130-2	123
HL-PBKT-119-2	71	HL-1222	112	HL-2394	109	HL-4007	111	HL-PBKT-134-1	123
HL-PBKT-122-1	71	HL-1227	110	HL-2396	107	HL-4015	111	HL-PBKT-134-2	123
HL-PBKT-122-2	72	HL-1228	110	HL-2397	107	HL-4025	111	HL-PBKT-140-1	124
HL-PBKT-123-1	72	HL-1231	110	HL-2813	79	HL-4026	111	HL-PBKT-140-2	124
HL-PBKT-123-2	72	HL-1232	110	HL-2825	89	HL-MSP-209	120	HL-PBKT-141-1	124
HL-PBKT-124-1	72	HL-1235	110	HL-2831	93	HL-MSP-214	120	HL-PBKT-141-2	124
HL-PBKT-124-2	72	HL-1241	110	HL-2832	94	HL-MSP-223/233/241	121	HL-PBKT-142-1	124
HL-PBKT-125-1	72	HL-1980	105	HL-2833	94	HL-MSP-223-2384	91	HL-PBKT-142-2	124
HL-PBKT-125-2	72	HL-1982	105	HL-2837	88	HL-MSP-223-2987	91	HL-PBKT-143-1	124
HL-PBKT-127-1	72	HL-2100	89	HL-2843	93	HL-MSP-223-2991	99	HL-PBKT-143-2	124
HL-PBKT-127-2	72	HL-2220A,B	115	HL-2847	103	HL-MSP-225/229	120	HL-PBKT-144-1	124
HL-PBKT-131-1	72	HL-2250A,B	115	HL-2852	103	HL-MSP-225-2311	81	HL-PBKT-144-2	124
HL-PBKT-131-2	72	HL-2252	116	HL-2853	98	HL-MSP-225-2363	85	HL-PBKT-145-1	124
HL-PBKT-132-1	72	HL-2267	116	HL-2857	95	HL-MSP-225-2396	85	HL-PBKT-145-2	124
HL-PBKT-132-2	73	HL-2269	116	HL-2862	95	HL-MSP-225-2922	83		
HL-PBKT-133-1	73	HL-2271	116	HL-2863	96	HL-MSP-225-2988	82		
HL-PBKT-133-2	73	HL-2272	114	HL-2864	96	HL-MSP-228	120		
HL-PBKT-135-3	73	HL-2274	114	HL-2866	97	HL-MSP-228-2921	83		
HL-PBKT-136-3	73	HL-2278	115	HL-2867	97	HL-MSP-228-2981	79		
HL-PBKT-137-2	73	HL-2281	114	HL-2868	98	HL-MSP-229-2972	80		
HL-PBKT-138-2	73	HL-2286	116	HL-2869	101	HL-MSP-233-2305	78		
HL-PBKT-139-1	73	HL-2295A,B	115	HL-2873	101	HL-MSP-233-2306	82		
HL-PBKT-139-2	73	HL-2296	114	HL-2880	92	HL-MSP-233-2312	77		
HL-PBKT-146	73	HL-2297	114	HL-2882	92	HL-MSP-233-2319	80		
HL-PBKT-148-1	73	HL-2298	115	HL-2916	115	HL-MSP-233-2351	78		
HL-PBKT-148-2	73	HL-2299	114	HL-2921	106	HL-MSP-233-2352	81		
HL-PTL-01	13	HL-2305	107	HL-2922	106	HL-MSP-233-2381	86		
HL-PTL-02	14	HL-2306	108	HL-2923	106	HL-MSP-241-2397	86		
HL-PTL-03	14	HL-2311	106	HL-2951	108	HL-MSP-241-2995	77		

MODERN
 INDEX

Homdec offers world-class quality products that are 'Made-in-India'.

An advantage of customised designs, materials and colours to suit your varied requirements.

Decorate your spaces with Homdec.

www.homdeclighting.com

HOMDEC®
Lighting

Manufactured by:

CASTLITE INDUSTRIES

Plot No.4, Sector 4, IIE Sidcul, Pant Nagar,

Rudrapur, Uttarakhand. 263 153

info@homdeclighting.com

Contact: 05944-250248, 9811286686

An ISO-9001:2015 company



© Copyright Reserved.

NSIC

MSME
MICRO, SMALL & MEDIUM ENTERPRISES
सूक्ष्म, लघु एवं मध्यम उद्यम

NSIC & MSME registered