

Technical Catalog

Distribution Boards Elegance Range

INDEX

CONTENTS	Page no
Elegance Series - Distribution Boards	4
Elegance Series – Features	5
Elegance Series-SPN-E-SHC	6
Elegance Series-SPN-E-SHC - Dimensional drawing	7
Elegance Series -TPN-E-SHDB	9
Elegance Series -TPN-E-SHDB - Dimensional drawing	10
Elegance Series –Per Phase Isolation DB-E-SHPPI (Horizontal)	12
Elegance Series –Per Phase Isolation DB-E-SHPPI - Dimensional drawing	13
Elegance Series –Per Phase Isolation DB-E-SVDB (Vertical)	15
Elegance Series –Per Phase Isolation DB-E-SVDB - Dimensional drawing	16
Elegance Series –Vertical DB	17
Elegance Series –Vertical DB - Dimensional drawing	18
Elegance Series –Vertical DB-E-SVTDB T1	20
Elegance Series –Vertical DB-E-SVTDB T1 - Dimensional drawing	21
Elegance Series –Vertical DB-E-SVTDB T3	23
Elegance Series –Vertical DB-E-SVTDB T3 - Dimensional drawing	24
Elegance Series –Flexi Tier DB-E-SVFL	26
Elegance Series –Flexi Tier DB-E-SVFL - Dimensional drawing	27
Elegance Series –8 Segment DB-E-S8SEG	28
Elegance Series –8 Segment DB-E-S8SEG - Dimensional drawing	29
Elegance Series –7 Segment MCCB I/C DB-E-S7SEG T1	31
Elegance Series –7 Segment MCCB I/C DB-E-S7SEG T1 - Dimensional drawing	32
Elegance Series –Phase Selector DB –E-SPVS	34
Elegance Series –Phase Selector DB –E-SPVS - Dimensional drawing	35
Elegance Series –Plug & Socket DB – E-SGK	36
Elegance Series - Supply Busbars (insulated) and mounting details	40

Distribution boards

Elegance series

ABB's E-series of distribution boards meet all the requirements of modern installations for domestic, commercial and industrial applications

Construction

Blending aesthetics, functionality and safety, the E-series of ABB distribution boards are manufactured with high precision and high quality CRCA steel sheets. These distribution boards undergo a seven-tank phosphating process to ensure anti-rust conditioning, superior finish and lasting strength. Premier quality powder coating is applied using the latest techniques

Colour

ABB's E-series of distribution boards is available in texture grey (RAL 7035)

Installation

The E-series of ABB distribution boards are universal mounting Type, hence can be flush or wall mounted. These distribution boards are provided with top and bottom removable gland plates with adequate number of knock outs, which enable easy installation and connection of conduits of sizes up to 32mm diameter.

Protection

E-series distribution boards offer three types of protection - IP 43 & IP 54 degree with a metal door and IP 30 degree without a door. The highest degree of attention has been paid to the safety aspect of the distribution boards, considering that they are installed in close proximity to people. An intermediate plate ensures total safety, as no live parts are exposed when the door is opened



Distribution boards

Elegance series – Features

As per IS 8623

Suitable for flush and surface mounting

Shrouded neutral bar & insulated copper busbar

Detachable pan assembly

Door earthing

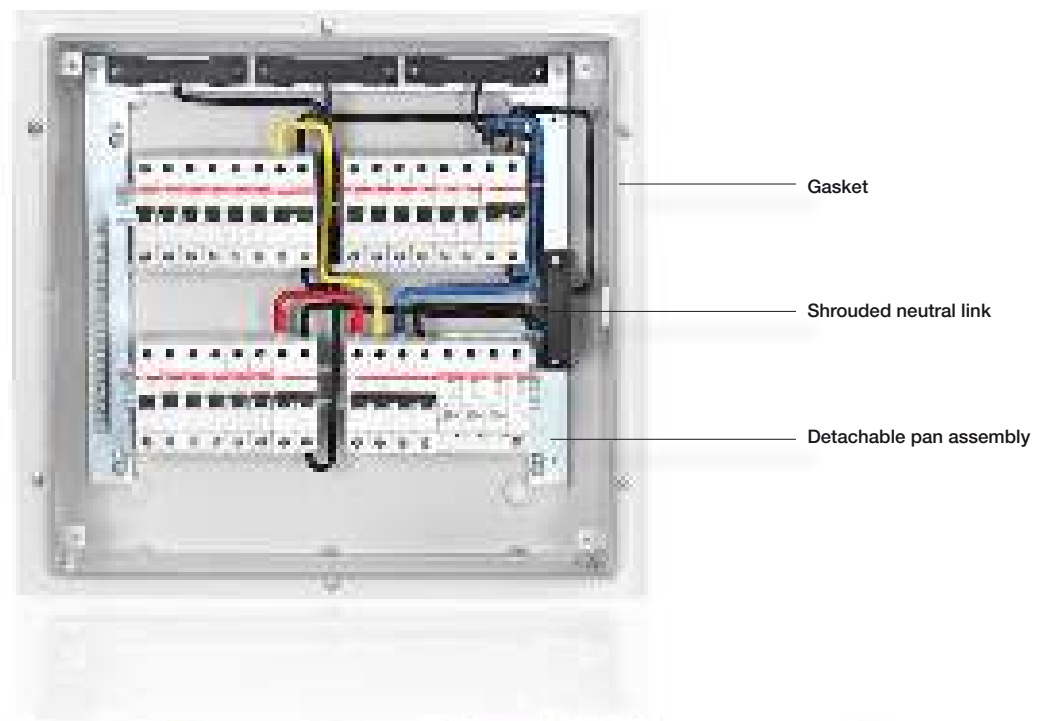
Cement spill protector

Reversible door for IP 43 and IP 54 DB

Anti insertion marking

Gasket for protection

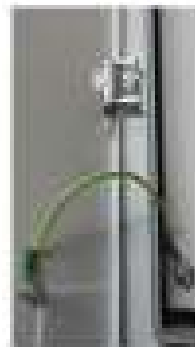
Colour shade – texture grey (RAL 7035)



Cement spill protector



Insulated busbar



Door earthing



Anti insertion marking

Distribution boards

Elegance series-SPN-E-SHC

Horizontal single phase consumer unit with provision for 2 pole (MCB / Isolator / RCD) incoming and single phase outgoing.

These distribution boards come with earth link, shrouded neutral link and tinned electrolytic copper insulated busbar. Top and bottom, removable gland plates with knockouts. Mounting of these boards can be flush or surface

Available in, IP 30 (without door)

IP 43 & IP 54 (with metal door)

IP 43 (Metal door with acrylic)

IP 30

Product description	Product code	No of ways	No of modules	
			I/C	O/G
E-SHC WD 4	NSYN8690SPNWD04	4 way	2	4
E-SHC WD 6	NSYN8690SPNWD06	6 way	2	6
E-SHC WD 8	NSYN8690SPNWD08	8 way	2	8
E-SHC WD 10	NSYN8690SPNWD10	10 way	2	10
E-SHC WD 12	NSYN8690SPNWD12	12 way	2	12
E-SHC WD 14	NSYN8690SPNWD14	14 way	2	14
E-SHC WD 16	NSYN8690SPNWD16	16 way	2	16
E-SHC WD 20	NSYN8690SPNWD20	20 way	2	20

IP 43 with metal door

Product description	Product code	No of ways	No of modules	
			I/C	O/G
E-SHC M 4	NSYN8690SPN0M04	4 way	2	4
E-SHC M 6	NSYN8690SPN0M06	6 way	2	6
E-SHC M 8	NSYN8690SPN0M08	8 way	2	8
E-SHC M 10	NSYN8690SPN0M10	10 way	2	10
E-SHC M 12	NSYN8690SPN0M12	12 way	2	12
E-SHC M 14	NSYN8690SPN0M14	14 way	2	14
E-SHC M 16	NSYN8690SPN0M16	16 way	2	16
E-SHC M 20	NSYN8690SPN0M20	20 way	2	20

IP 43 metal door with acrylic

Product description	Product code	No of ways	No of modules	
			I/C	O/G
E-SHC P 4	NSYN8690SPN0P04	4 way	2	4
E-SHC P 6	NSYN8690SPN0P06	6 way	2	6
E-SHC P 8	NSYN8690SPN0P08	8 way	2	8
E-SHC P 10	NSYN8690SPN0P10	10 way	2	10
E-SHC P 12	NSYN8690SPN0P12	12 way	2	12
E-SHC P 14	NSYN8690SPN0P14	14 way	2	14
E-SHC P 16	NSYN8690SPN0P16	16 way	2	16
E-SHC P 20	NSYN8690SPN0P20	20 way	2	20

IP 54

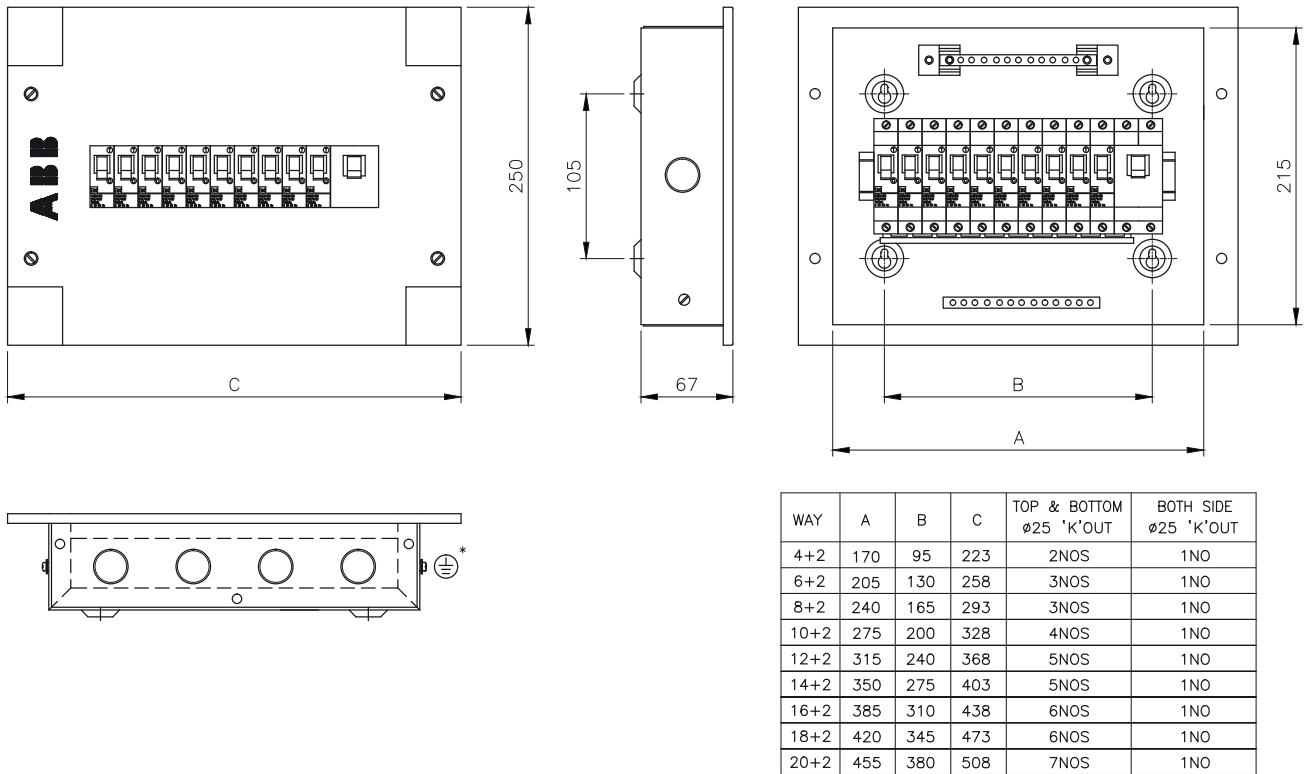
Product description	Product code	No of ways	No of modules	
			I/C	O/G
E-SHC M WP 4	NSYN8690SPNWP04	4 way	2	4
E-SHC M WP 6	NSYN8690SPNWP06	6 way	2	6
E-SHC M WP 8	NSYN8690SPNWP08	8 way	2	8
E-SHC M WP 10	NSYN8690SPNWP10	10 way	2	10
E-SHC M WP 12	NSYN8690SPNWP12	12 way	2	12
E-SHC M WP 14	NSYN8690SPNWP14	14 way	2	14
E-SHC M WP 16	NSYN8690SPNWP16	16 way	2	16
E-SHC M WP 20	NSYN8690SPNWP20	20 way	2	20



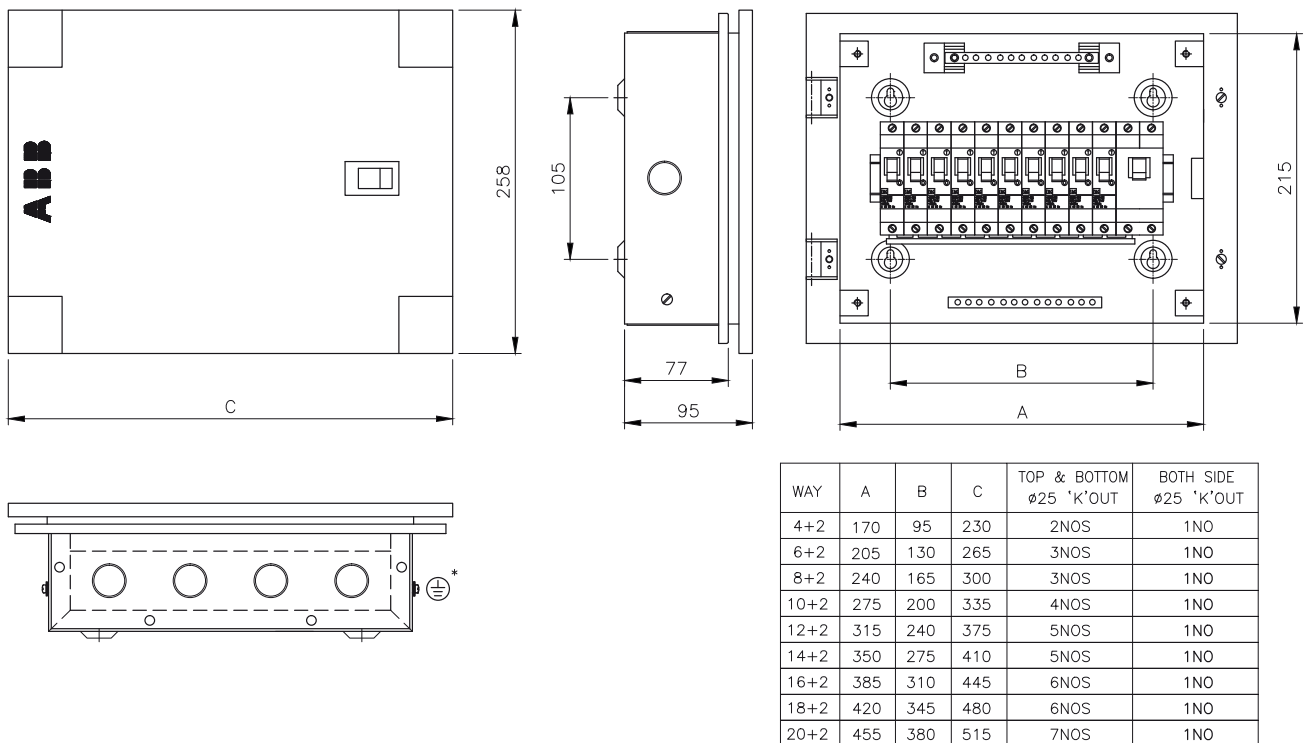
Distribution boards

Elegance series - dimensional drawing

IP 30 E-SHC WD range



IP 43 E-SHC M range

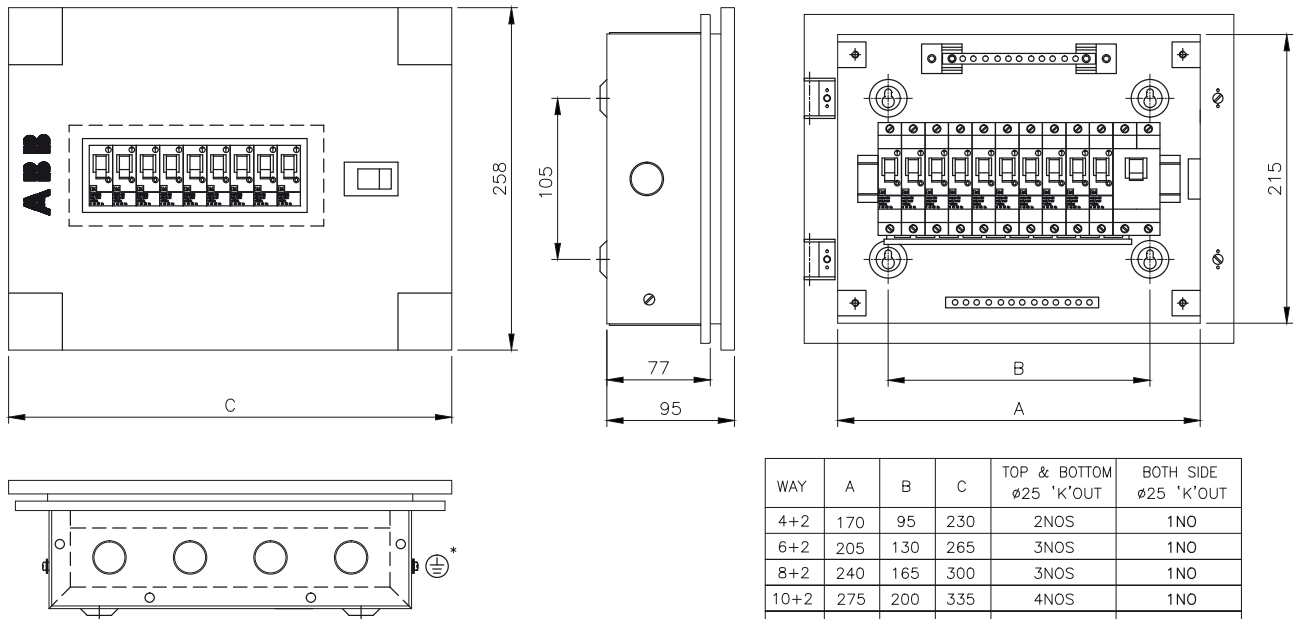


All dimensions are in mm

Distribution boards

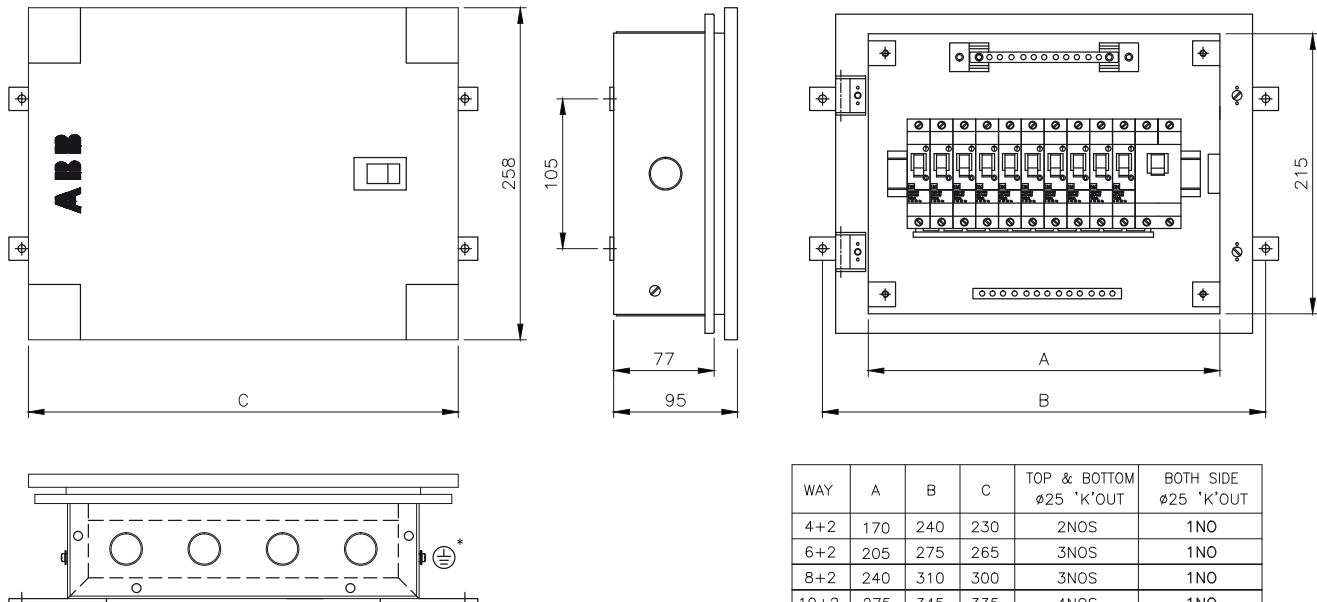
Elegance series - dimensional drawing

IP 43 E-SHC P range



WAY	A	B	C	TOP & BOTTOM ø25 'K'OUT	BOTH SIDE ø25 'K'OUT
4+2	170	95	230	2NOS	1NO
6+2	205	130	265	3NOS	1NO
8+2	240	165	300	3NOS	1NO
10+2	275	200	335	4NOS	1NO
12+2	315	240	375	5NOS	1NO
14+2	350	275	410	5NOS	1NO
16+2	385	310	445	6NOS	1NO
18+2	420	345	480	6NOS	1NO
20+2	455	380	515	7NOS	1NO

IP 54 E-SHC M WP range



WAY	A	B	C	TOP & BOTTOM ø25 'K'OUT	BOTH SIDE ø25 'K'OUT
4+2	170	240	230	2NOS	1NO
6+2	205	275	265	3NOS	1NO
8+2	240	310	300	3NOS	1NO
10+2	275	345	335	4NOS	1NO
12+2	315	385	375	5NOS	1NO
14+2	350	420	410	5NOS	1NO
16+2	385	455	445	6NOS	1NO
18+2	420	490	480	6NOS	1NO
20+2	455	525	515	7NOS	1NO

All dimensions are in mm

Distribution boards

Elegance series -TPN-E-SHDB

Horizontal three phase distribution board with provision for incomer 8 pole (MCB / Isolator / RCD) and single phase outgoing.

These distribution boards come with earth link, shrouded neutral link, tinned electrolytic copper insulated busbar and wire sets for cable management.

Top and bottom, removable gland plates with knockouts. Mounting of these boards can be flush or surface.

Available in, IP 30 (without door)

IP 43 & IP 54 (with metal door)

IP 43 (Metal door with acrylic)



IP 30

Product description	Product code	No of ways	No of modules	
			I/C	O/G
E-SHDB WD 4	NSYN8690TPNWD04	4 way	8	12
E-SHDB WD 6	NSYN8690TPNWD06	6 way	8	18
E-SHDB WD 8	NSYN8690TPNWD08	8 way	8	24
E-SHDB WD 12	NSYN8690TPNWD12	12 way	8	36
E-SHDB WD 16	NSYN8690TPNWD16	16 way	8	48

IP 43 with metal door

Product description	Product code	No of ways	No of modules	
			I/C	O/G
E-SHDB M 4	NSYN8690TPNOM04	4 way	8	12
E-SHDB M 6	NSYN8690TPNOM06	6 way	8	18
E-SHDB M 8	NSYN8690TPNOM08	8 way	8	24
E-SHDB M 12	NSYN8690TPNOM12	12 way	8	36
E-SHDB M 16	NSYN8690TPNOM16	16 way	8	48

IP 43 with metal door with acrylic

Product description	Product code	No of ways	No of modules	
			I/C	O/G
E-SHDB P 4	NSYN8690TPNOP04	4 way	8	12
E-SHDB P 6	NSYN8690TPNOP06	6 way	8	18
E-SHDB P 8	NSYN8690TPNOP08	8 way	8	24
E-SHDB P 12	NSYN8690TPNOP12	12 way	8	36
E-SHDB P 16	NSYN8690TPNOP16	16 way	8	48

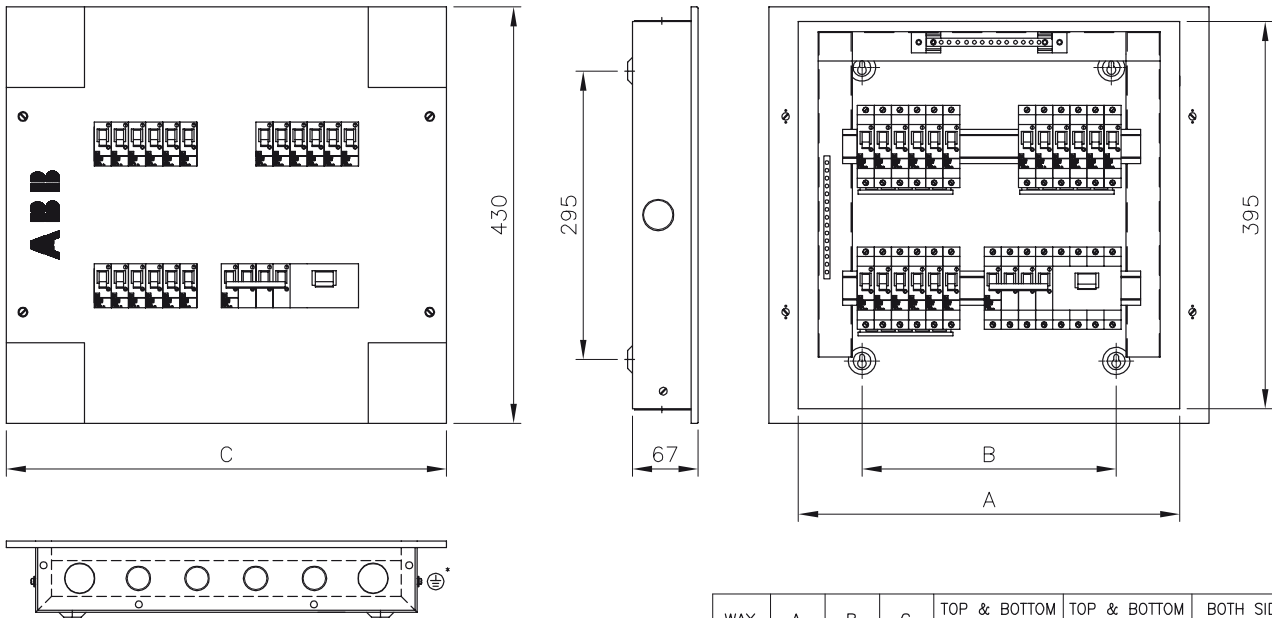
IP 54

Product description	Product code	No of ways	No of modules	
			I/C	O/G
E-SHDB M WP 4	NSYN8690TPNWP04	4 way	8	12
E-SHDB M WP 6	NSYN8690TPNWP06	6 way	8	18
E-SHDB M WP 8	NSYN8690TPNWP08	8 way	8	24
E-SHDB M WP 12	NSYN8690TPNWP12	12 way	8	36
E-SHDB M WP 16	NSYN8690TPNWP16	16 way	8	48

Distribution boards

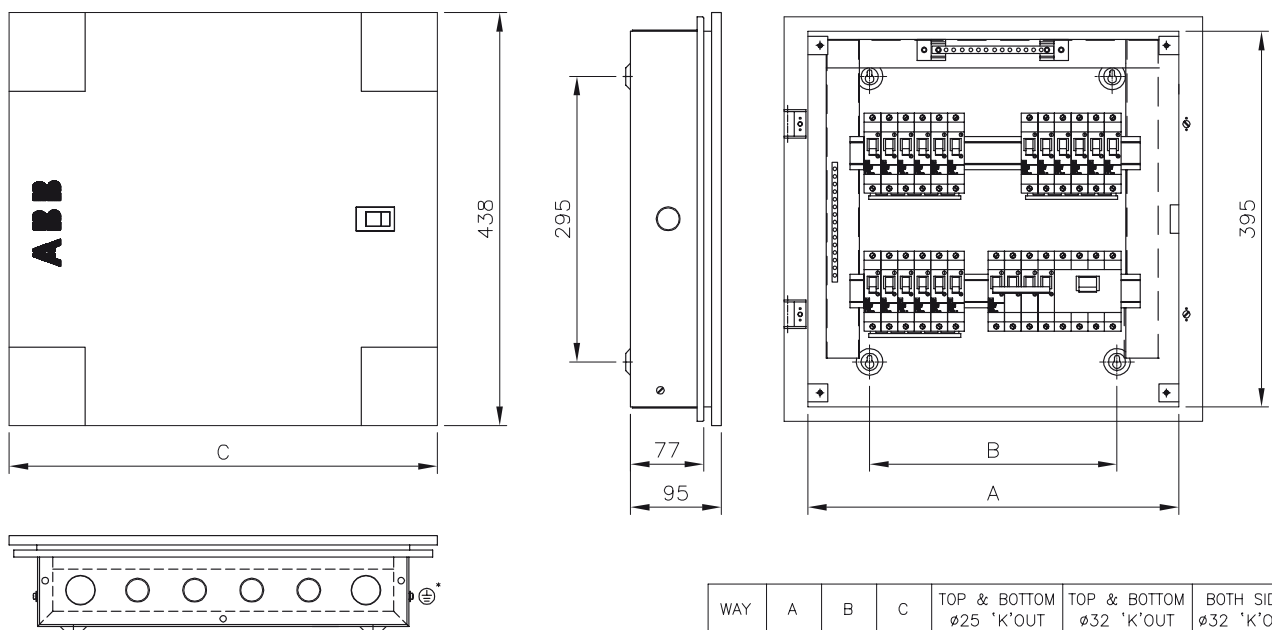
Elegance series - dimensional drawing

IP 30 E-SHDB WD range



WAY	A	B	C	TOP & BOTTOM ø25 'K'OUT	TOP & BOTTOM ø32 'K'OUT	BOTH SIDE ø32 'K'OUT
4	355	225	408	3NOS	2NOS	1NO
6	390	260	443	4NOS	2NOS	1NO
8	425	295	478	5NOS	2NOS	1NO
12	590	460	643	7NOS	2NOS	1NO
16	720	590	773	9NOS	2NOS	1NO

IP 43 E-SHDB M range



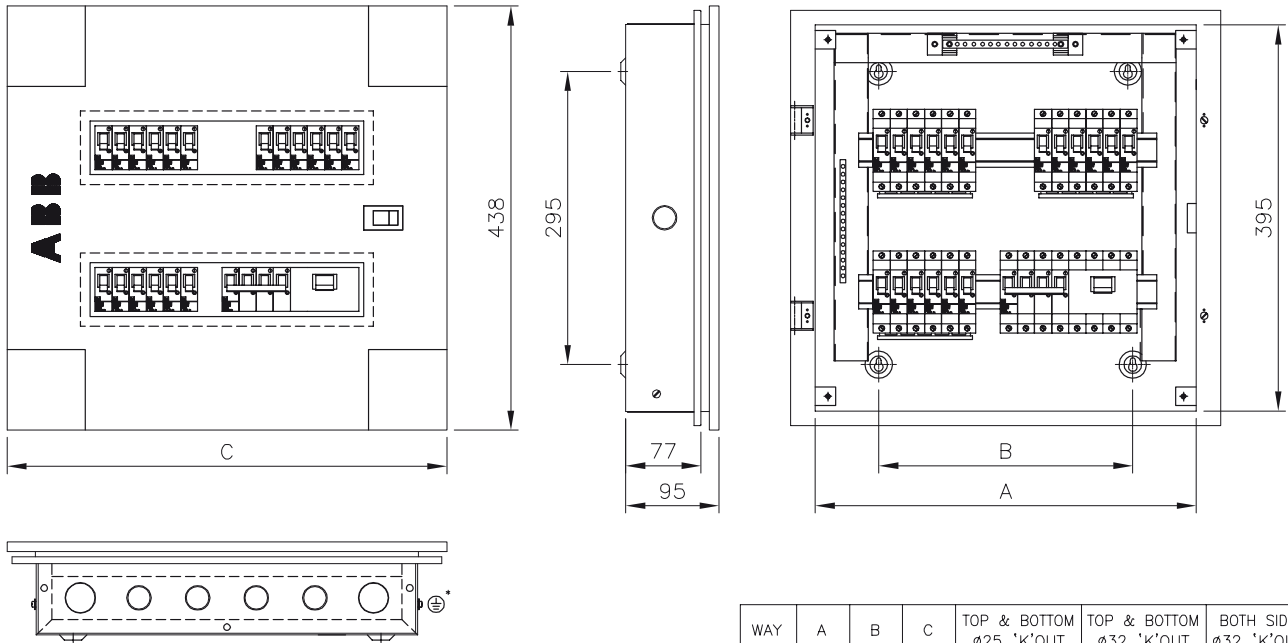
WAY	A	B	C	TOP & BOTTOM ø25 'K'OUT	TOP & BOTTOM ø32 'K'OUT	BOTH SIDE ø32 'K'OUT
4	355	225	415	3NOS	2NOS	1NO
6	390	260	450	4NOS	2NOS	1NO
8	425	295	485	5NOS	2NOS	1NO
12	590	460	650	7NOS	2NOS	1NO

All dimensions are in mm

Distribution boards

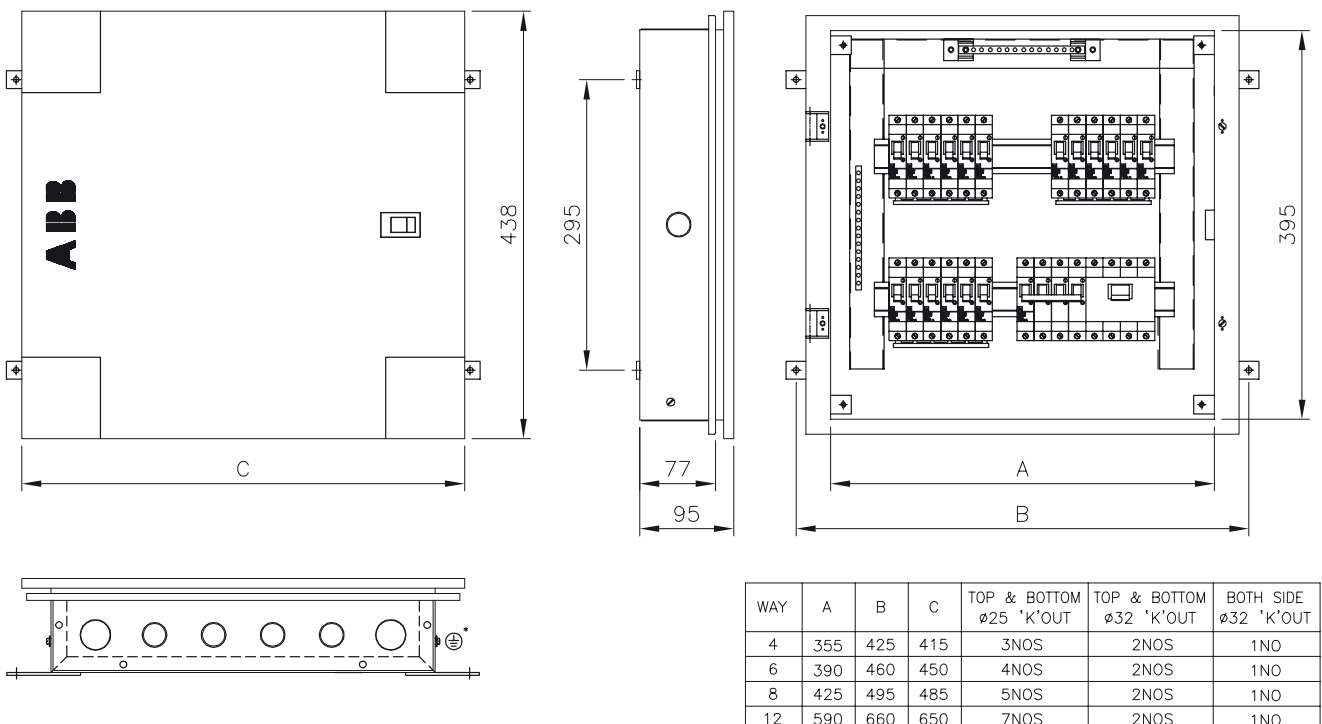
Elegance series - dimensional drawing

IP 43 E-SHDB P range



WAY	A	B	C	TOP & BOTTOM ø25 'K'OUT	TOP & BOTTOM ø32 'K'OUT	BOTH SIDE ø32 'K'OUT
4	355	225	415	3NOS	2NOS	1NO
6	390	260	450	4NOS	2NOS	1NO
8	425	295	485	5NOS	2NOS	1NO
12	590	460	650	7NOS	2NOS	1NO

IP 54 E-SHDB M WP range



WAY	A	B	C	TOP & BOTTOM ø25 'K'OUT	TOP & BOTTOM ø32 'K'OUT	BOTH SIDE ø32 'K'OUT
4	355	425	415	3NOS	2NOS	1NO
6	390	460	450	4NOS	2NOS	1NO
8	425	495	485	5NOS	2NOS	1NO
12	590	660	650	7NOS	2NOS	1NO

All dimensions are in mm

Distribution boards

Elegance series – per phase isolation DB-E-SHPPI

Horizontal per-phase isolation distribution board with provision for 8 pole (MCB / Isolator / RCD) as incomer, 3 DP MCB / Isolator / RCD as sub-incoming and SP MCBs as outgoing.

These distribution boards come with separate shrouded neutral link for each phase, earthing link, tinned electrolytic copper insulated busbar and wire sets for cable management

Top and bottom removable gland plates with knockouts. Mounting of these boards can be flush or surface.

Available in, IP 30 (without door)

IP 43 & IP 54 (with metal door)

IP 43 (Metal door with acrylic)



IP 30

Product description	Product code	No of ways	No of modules		
			I/C	Sub I/C	O/G
E-SHPPI WD 6	NSYN8690PPIWD06	6 way	8	6	12
E-SHPPI WD 8	NSYN8690PPIWD08	8 way	8	6	18
E-SHPPI WD 12	NSYN8690PPIWD12	12 way	8	6	30
E-SHPPI WD 16	NSYN8690PPIWD16	16 way	8	6	42

IP 43 with metal door

Product description	Product code	No of ways	No of modules		
			I/C	Sub I/C	O/G
E-SHPPI M 6	NSYN8690PPIOM06	6 way	8	6	12
E-SHPPI M 8	NSYN8690PPIOM08	8 way	8	6	18
E-SHPPI M 12	NSYN8690PPIOM12	12 way	8	6	30
E-SHPPI M 16	NSYN8690PPIOM16	16 way	8	6	42

IP 43 metal door with acrylic

Product description	Product code	No of ways	No of modules		
			I/C	Sub I/C	O/G
E-SHPPI P 6	NSYN8690PPIOP06	6 way	8	6	12
E-SHPPI P 8	NSYN8690PPIOP08	8 way	8	6	18
E-SHPPI P 12	NSYN8690PPIOP12	12 way	8	6	30
E-SHPPI P 16	NSYN8690PPIOP16	16 way	8	6	42

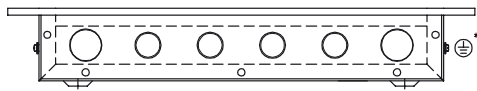
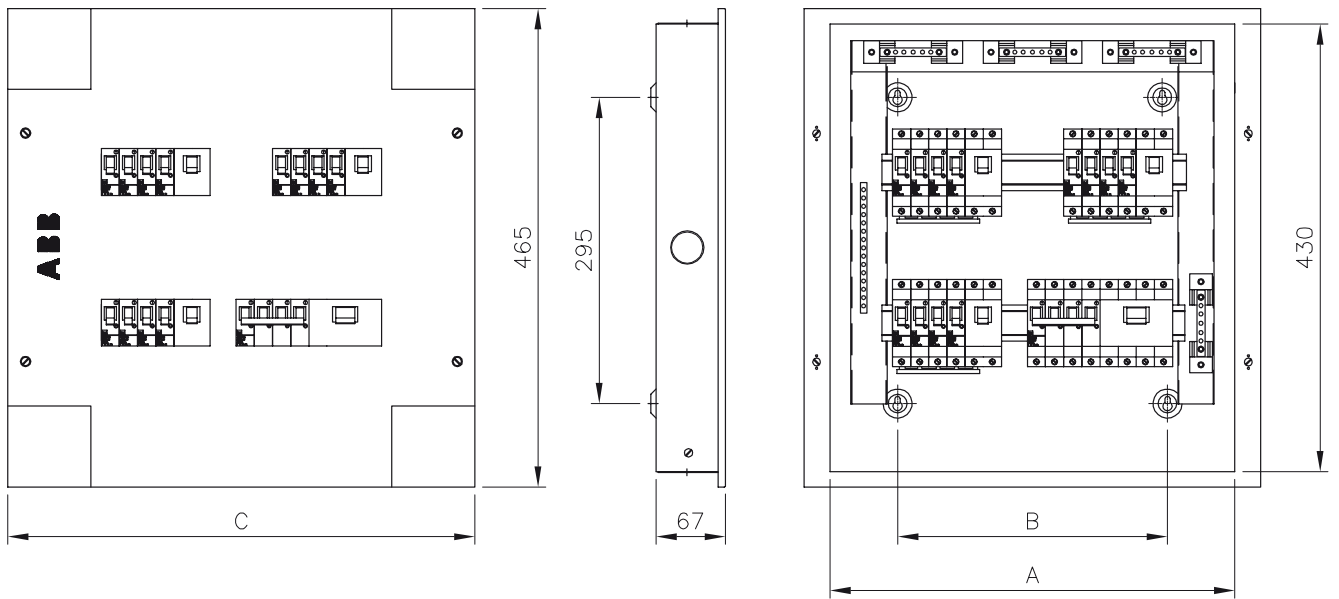
IP 54

Product description	Product code	No of ways	No of modules		
			I/C	Sub I/C	O/G
E-SHPPI M WP 6	NSYN8690PPIWP06	6 way	8	6	12
E-SHPPI M WP 8	NSYN8690PPIWP08	8 way	8	6	18
E-SHPPI M WP 12	NSYN8690PPIWP12	12 way	8	6	30
E-SHPPI M WP 16	NSYN8690PPIWP16	16 way	8	6	42

Distribution boards

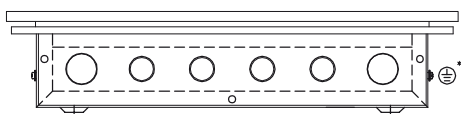
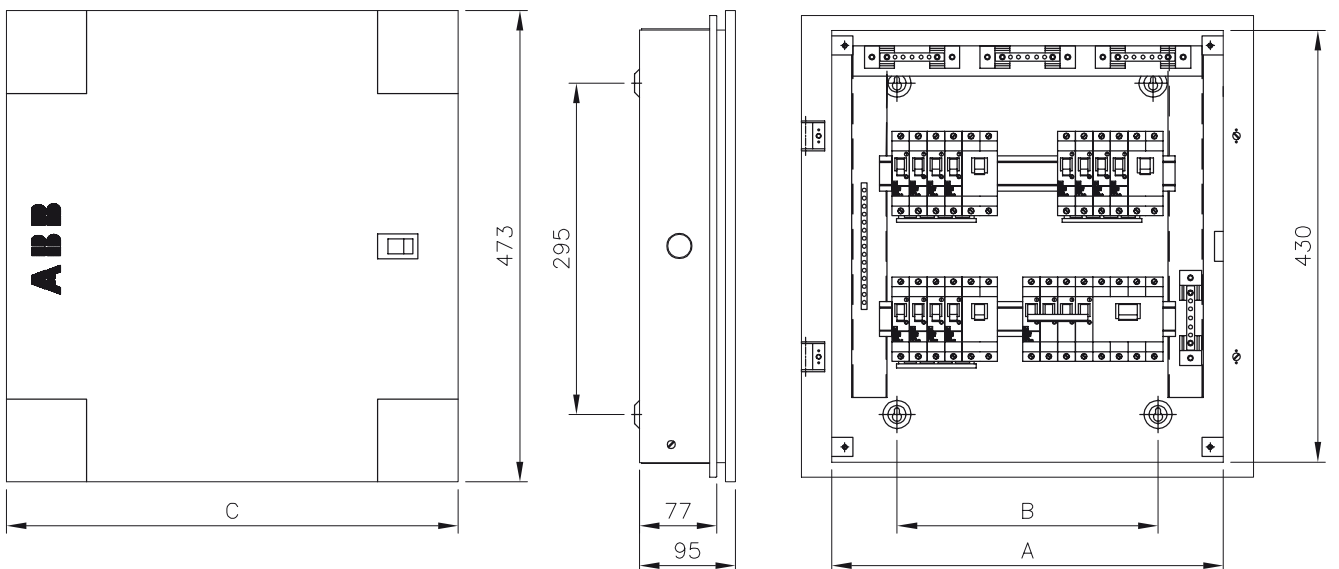
Elegance series - dimensional drawing

IP 30 E-SHPPI WD range



WAY	A	B	C	TOP & BOTTOM ø25 'K'OUT	TOP & BOTTOM ø32 'K'OUT	BOTH SIDE ø32 'K'OUT
6	390	260	443	4NOS	2NOS	1NO
8	440	310	493	5NOS	2NOS	1NO
12	590	460	643	7NOS	2NOS	1NO
16	720	590	773	9NOS	2NOS	1NO

IP 43 E-SHPPI M range



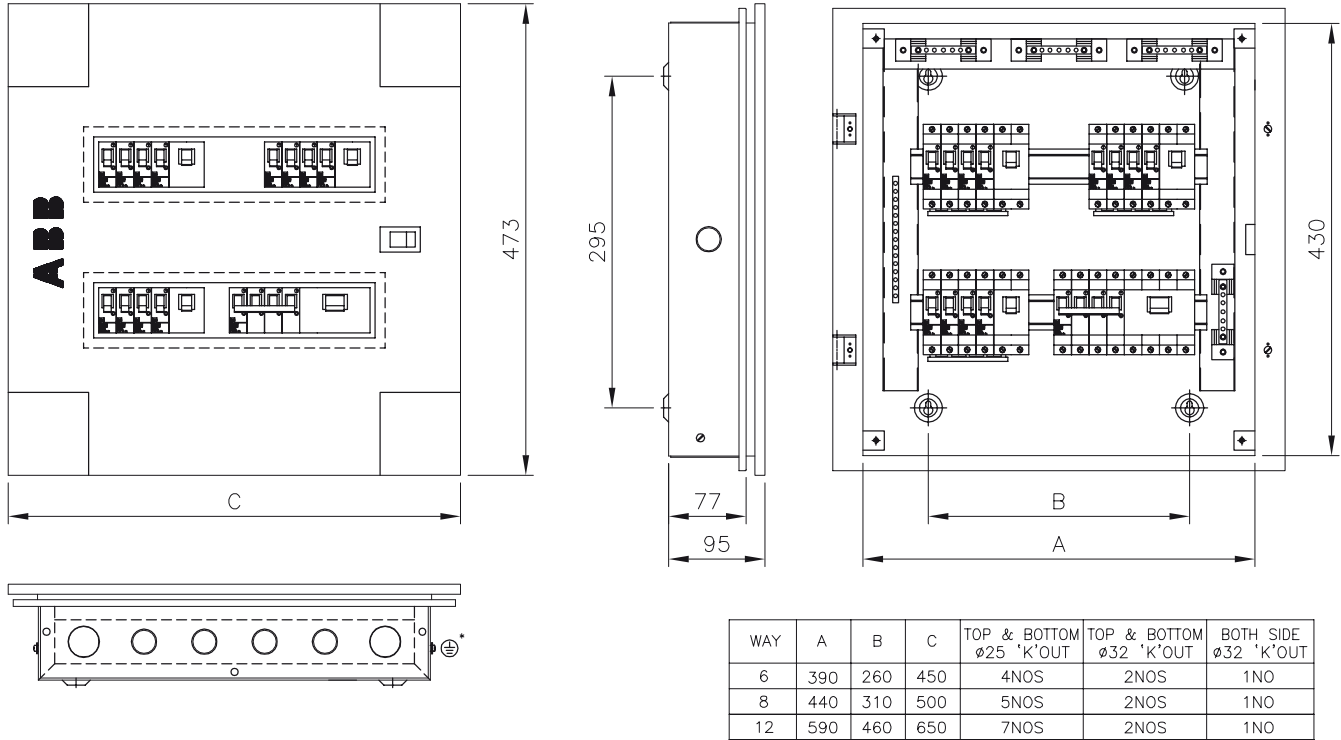
WAY	A	B	C	TOP & BOTTOM ø25 'K'OUT	TOP & BOTTOM ø32 'K'OUT	BOTH SIDE ø32 'K'OUT
6	390	260	450	4NOS	2NOS	1NO
8	440	310	500	5NOS	2NOS	1NO
12	590	460	650	7NOS	2NOS	1NO

All dimensions are in mm

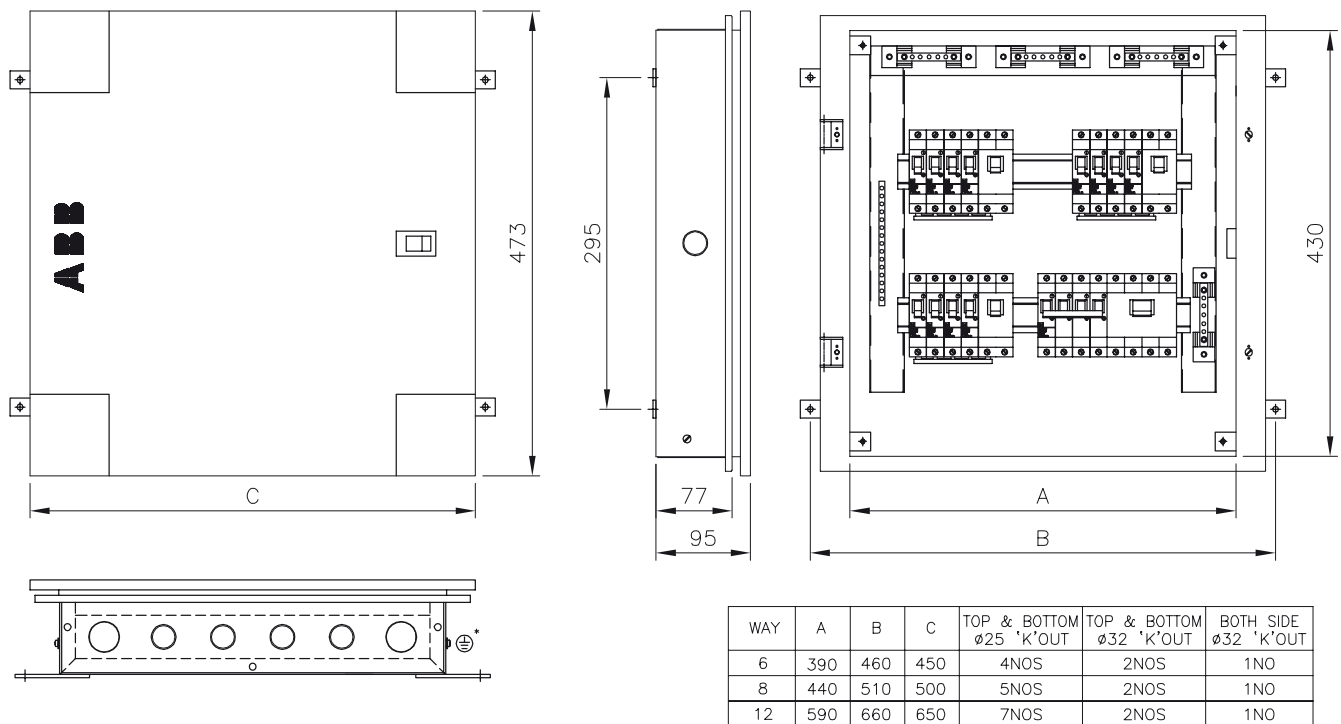
Distribution boards

Elegance series - dimensional drawing

IP 43 E-SHPPI P range



IP 54 E-SHPPI M WP range



All dimensions are in mm

Distribution boards

Elegance series – per phase isolation DB-E-SVDB

Vertical per-phase Isolation Distribution Board in 4-tier structure with provision for 8 pole (MCB / Isolator / RCD) incomer and 2 pole (MCB / Isolator / RCD) as sub-incomer with single phase outgoing.

These distribution boards come with separate shrouded neutral link for each phase, earthing link, tinned electrolytic copper insulated busbar and wire sets for cable management.

Top and bottom removable gland plates with knockouts. Mounting of these boards can be flush or surface.

Available in, IP 43 (with metal door)

IP 43 (metal door with acrylic)



IP 43 with metal door

Product description	Product code	No of ways	No of modules		
			I/C	Sub I/C	O/G
E-SVDB M 6	NSYN8690SVD0M06	6 way	8	6	18
E-SVDB M 8	NSYN8690SVD0M08	8 way	8	6	24
E-SVDB M 12	NSYN8690SVD0M12	12 way	8	6	36

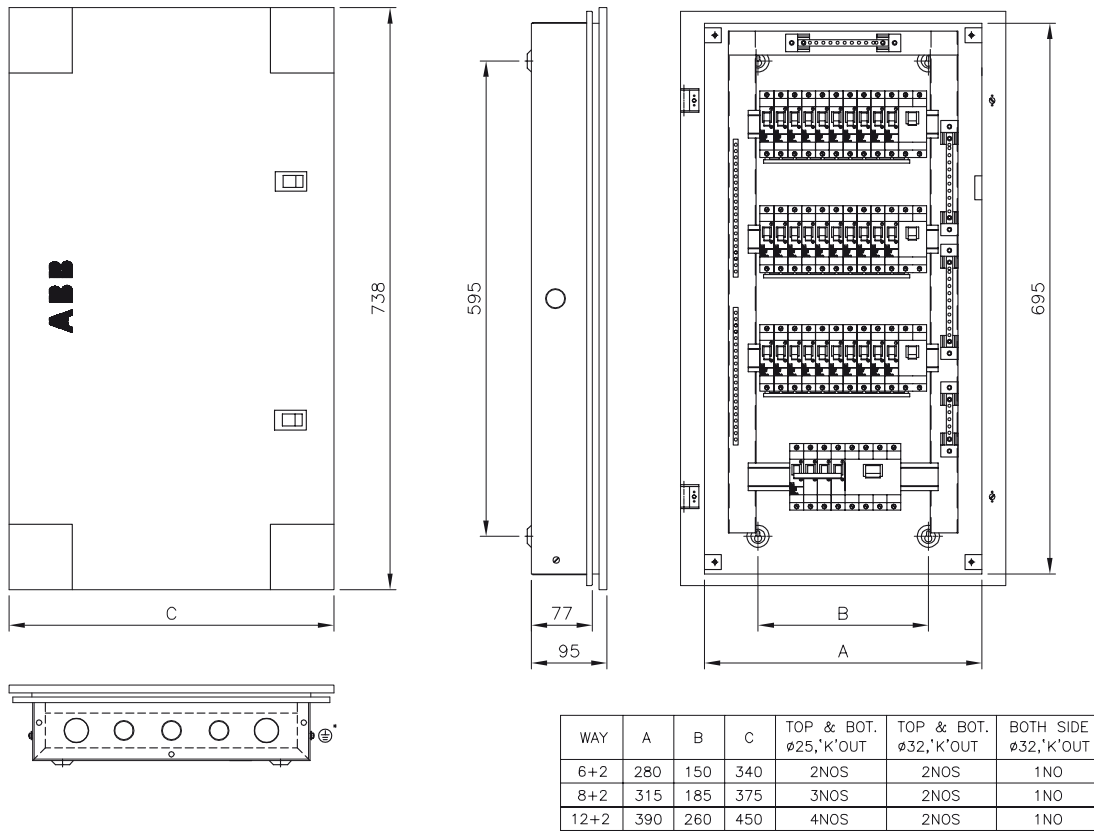
IP 43 metal door with acrylic

Product description	Product code	No of Ways	No of modules		
			I/C	Sub I/C	O/G
E-SVDB P 6	NSYN8690SVD0P06	6 way	8	6	18
E-SVDB P 8	NSYN8690SVD0P08	8 way	8	6	24
E-SVDB P 12	NSYN8690SVD0P12	12 way	8	6	36

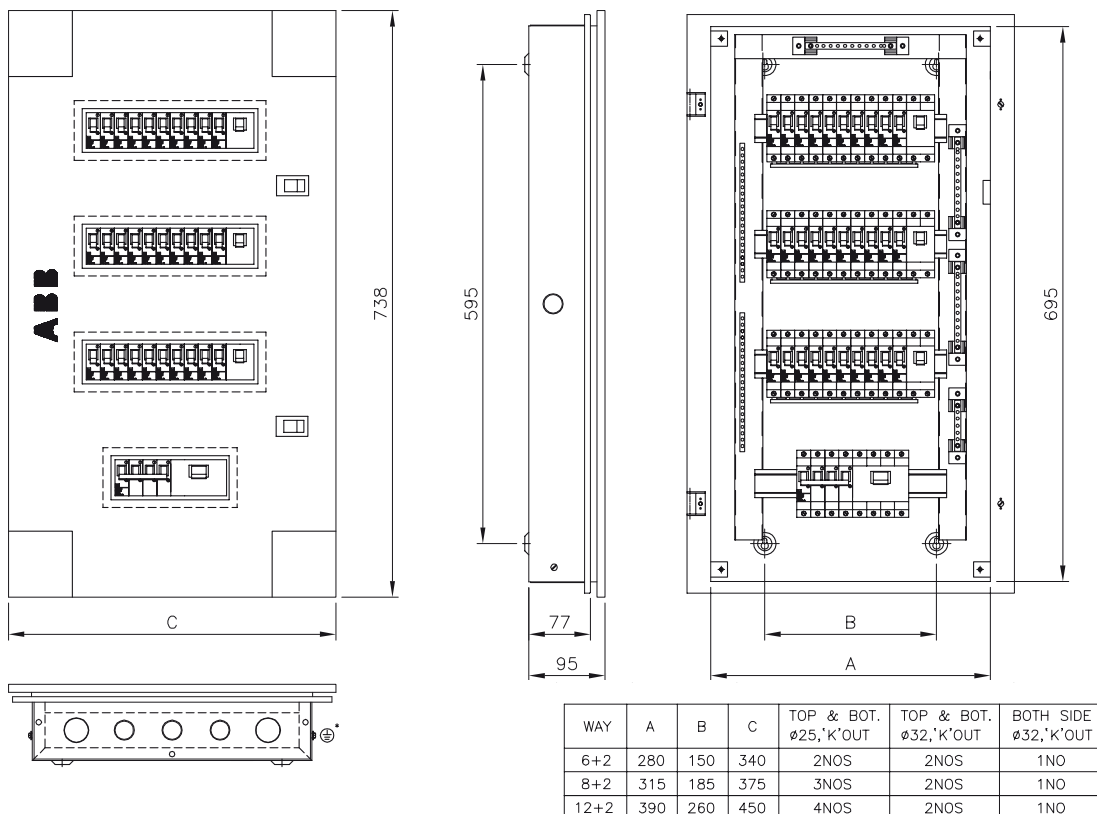
Distribution boards

Elegance series - dimensional drawing

IP 43 E-SVDB M range



IP 43 E-SVDB P range



All dimensions are in mm

Distribution boards

Elegance series – vertical DB

Vertical three phase distribution board with provision for 8 pole (MCB / Isolator / RCD) incoming with three phase and single phase (TP/SP) outgoing

These distribution boards come with complete insulated busbar (tinned electrolytic copper) arrangement, shrouded neutral bar and earth bars.

Top and bottom removable gland plates with knockouts. Mounting of these boards can be flush or surface.

Available in, IP 30 (without door)

IP 43 & IP 54 (with metal door)

IP 43 (metal door with acrylic)



IP 30

Product description	Product code	No of ways	No of modules	
			I/C	O/G
E-SVTDB WD 4	NSYN8690VTPWD04	4 way	8	12
E-SVTDB WD 6	NSYN8690VTPWD06	6 way	8	18
E-SVTDB WD 8	NSYN8690VTPWD08	8 way	8	24
E-SVTDB WD 12	NSYN8690VTPWD12	12 way	8	36

IP 43 with metal door

Product description	Product code	No of ways	No of modules	
			I/C	O/G
E-SVTDB M 4	NSYN8690VTP0M04	4 way	8	12
E-SVTDB M 6	NSYN8690VTP0M06	6 way	8	18
E-SVTDB M 8	NSYN8690VTP0M08	8 way	8	24
E-SVTDB M 12	NSYN8690VTP0M12	12 way	8	36

IP 43 metal door with acrylic

Product description	Product code	No of ways	No of modules	
			I/C	O/G
E-SVTDB P 4	NSYN8690VTP0P04	4 way	8	12
E-SVTDB P 6	NSYN8690VTP0P06	6 way	8	18
E-SVTDB P 8	NSYN8690VTP0P08	8 way	8	24
E-SVTDB P 12	NSYN8690VTP0P12	12 way	8	36

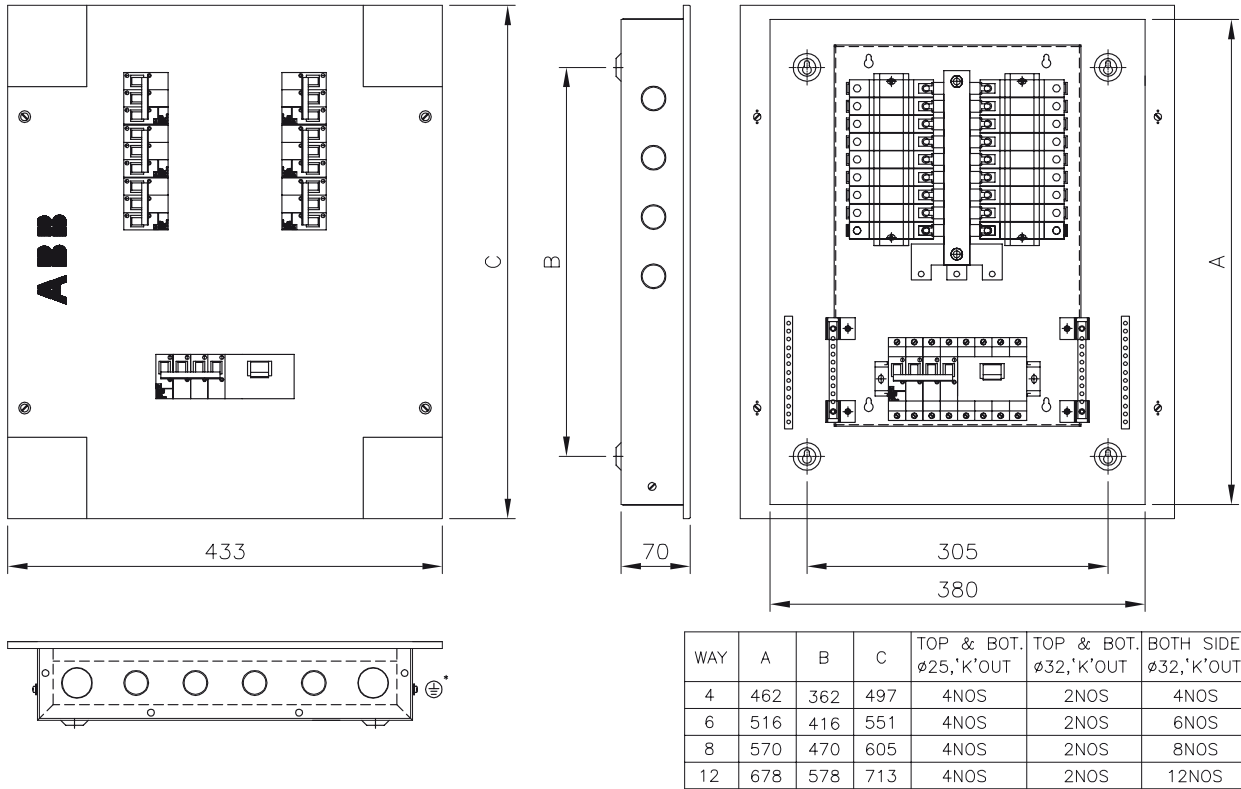
IP 54

Product description	Product code	No of ways	No of modules	
			I/C	O/G
E-SVTDB M WP 4	NSYN8690VTPWP04	4 way	8	12
E-SVTDB M WP 6	NSYN8690VTPWP06	6 way	8	18
E-SVTDB M WP 8	NSYN8690VTPWP08	8 way	8	24
E-SVTDB M WP 12	NSYN8690VTPWP12	12 way	8	36

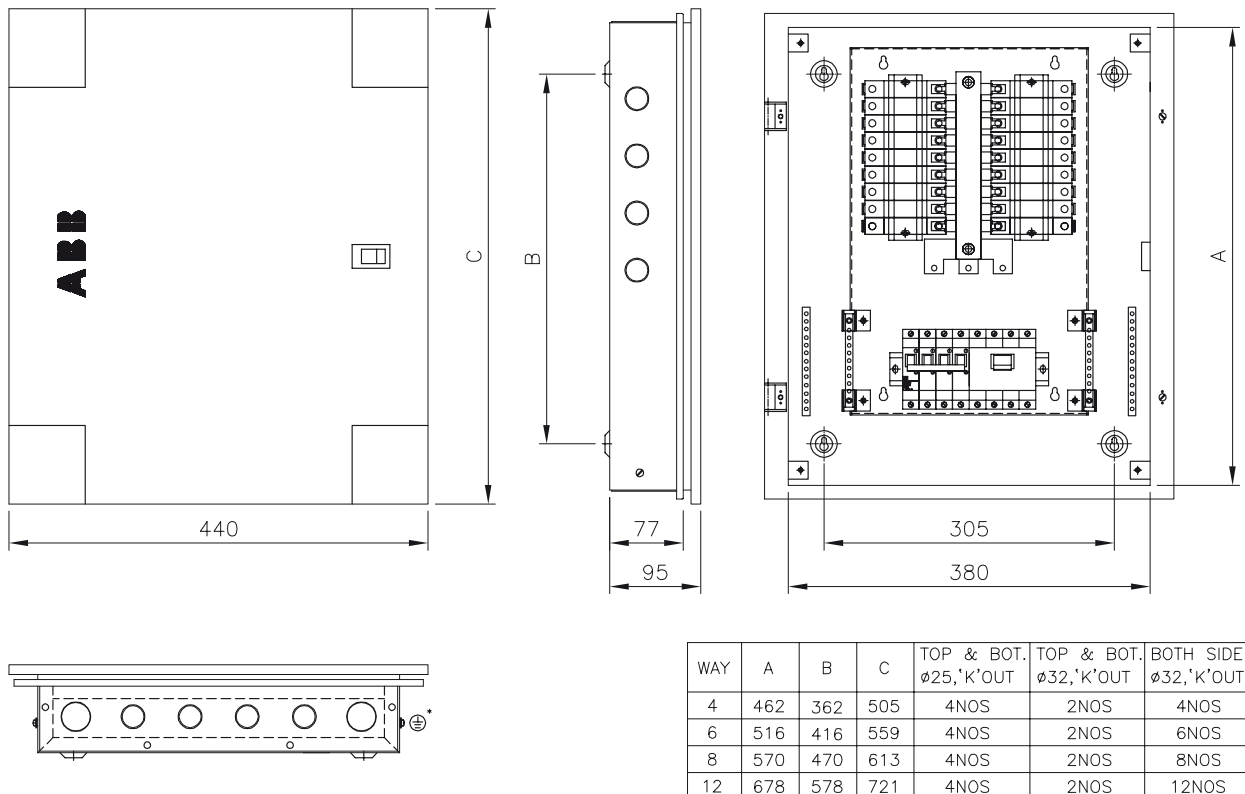
Distribution boards

Elegance Series - dimensional drawing

IP 30 E-SVTDB WD range



IP 43 E-SVTDB M range

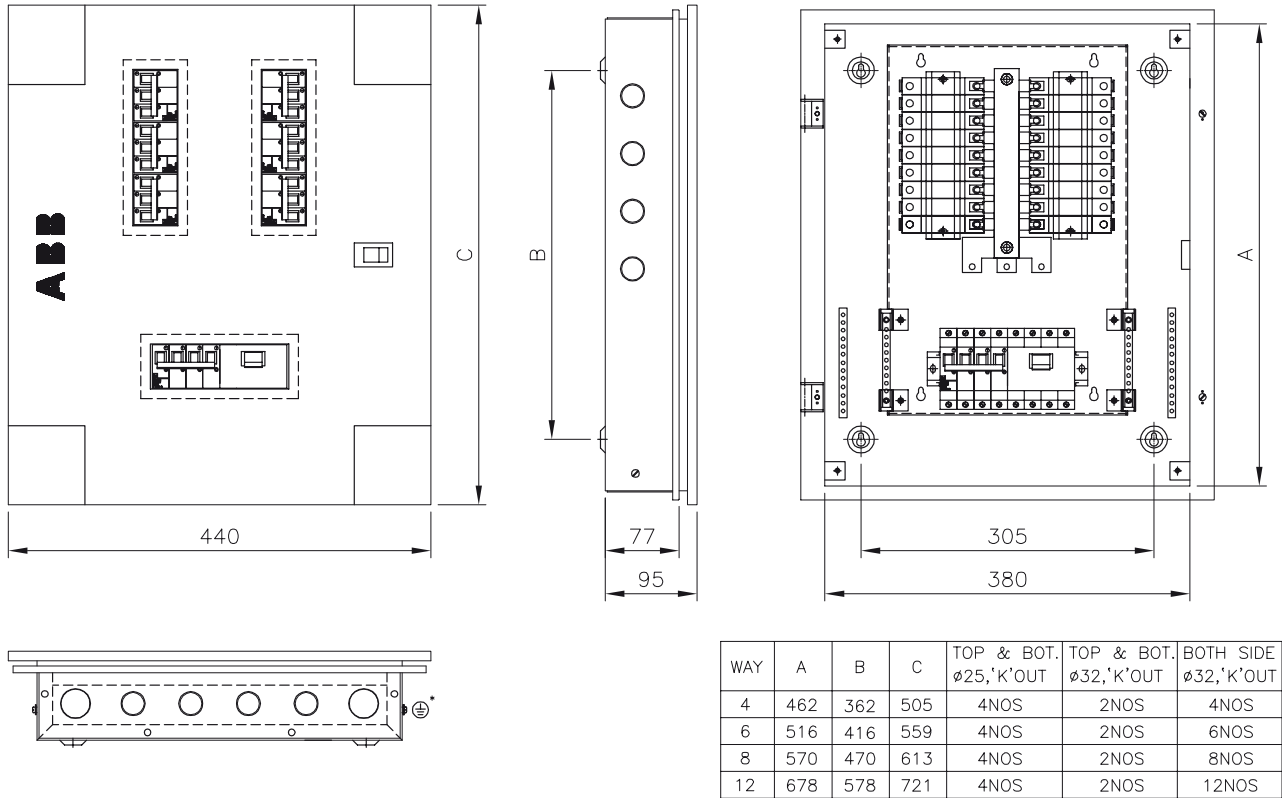


All dimensions are in mm

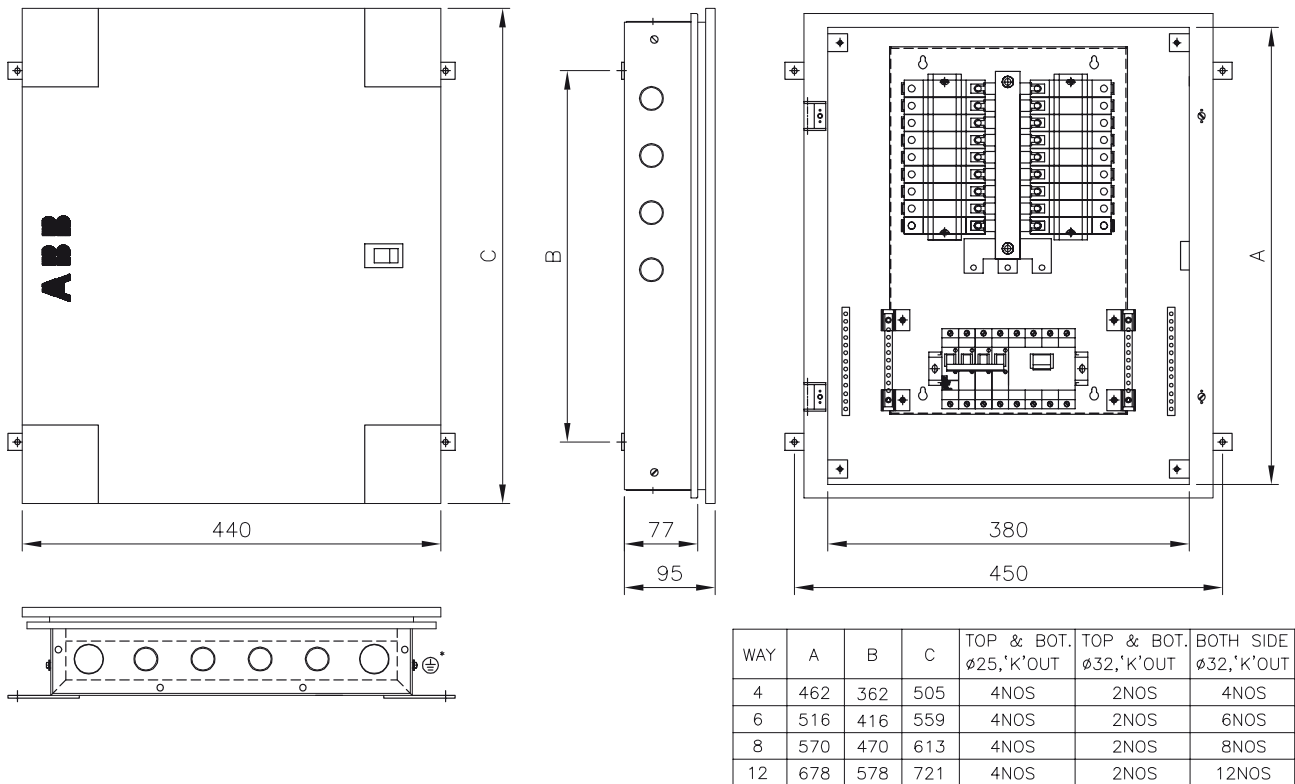
Distribution boards

Elegance series - dimensional drawing

IP 43 E-SVTDB P range



IP 54 E-SVTDB M WP range



All dimensions are in mm

Distribution boards

Elegance series – vertical DB-E-SVTDB T1

Vertical three phase distribution board with provision for 4 pole MCCB (T-max/T1) up to 160A as incomer with three phase and single phase (TP/SP) MCB outgoing.

These distribution boards come with complete insulated busbar (tinned electrolytic copper) arrangement, shrouded neutral bar and earth bars.

Top and bottom removable gland plates with knockouts. Mounting of these boards can be flush or surface.

Available in, IP 30 (without door)

IP 43 (with metal door)

IP 54 (with metal door)



IP 30

Product description	Product code	No of ways	No of modules	
			I/C	O/G
E-SVTDB WD 4 T1	NSYN8690VTPWDT14	4 way	T-max	12
E-SVTDB WD 6 T1	NSYN8690VTPWDT16	6 way	T-max	18
E-SVTDB WD 8 T1	NSYN8690VTPWDT18	8 way	T-max	24
E-SVTDB WD 12 T1	NSYN8690VTPWDT112	12 way	T-max	36

IP43 with metal door

Product description	Product code	No of ways	No of modules	
			I/C	O/G
E-SVTDB M 4 T1	NSYN8690VTP0MT14	4 way	T-max	12
E-SVTDB M 6 T1	NSYN8690VTP0MT16	6 way	T-max	18
E-SVTDB M 8 T1	NSYN8690VTP0MT18	8 way	T-max	24
E-SVTDB M 12 T1	NSYN8690VTP0MT112	12 way	T-max	36

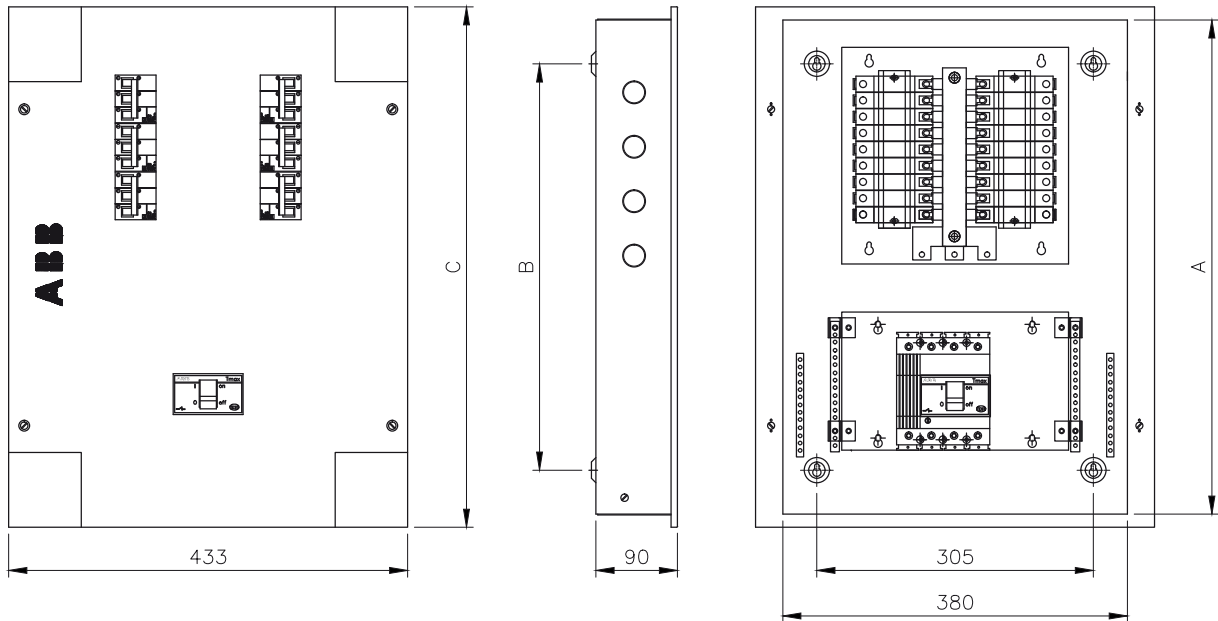
IP54

Product description	Product code	No of ways	No of modules	
			I/C	O/G
E-SVTDB M WP 4T1	NSYN8690VTPWPT14	4 way	T-max	12
E-SVTDB M WP 6T1	NSYN8690VTPWPT16	6 way	T-max	18
E-SVTDB M WP 8T1	NSYN8690VTPWPT18	8 way	T-max	24
E-SVTDB M WP 12T1	NSYN8690VTPWPT112	12 way	T-max	36

Distribution boards

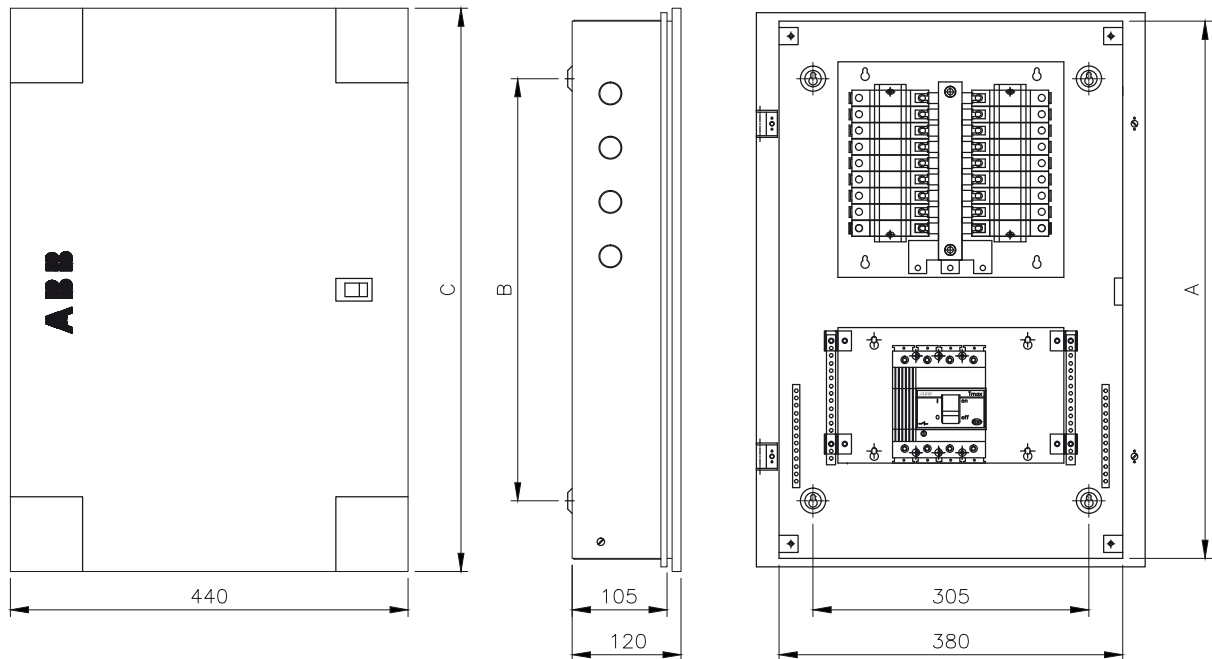
Elegance series - dimensional drawing

IP 30 E-SVTDB WD T1 range



WAY	A	B	C	TOP & BOT. ø25,'K'OUT	TOP & BOT. ø32,'K'OUT	BOTH SIDE ø32,'K'OUT
4 T1	520	420	555	4NOS	2NOS	4NOS
6 T1	575	475	610	4NOS	2NOS	6NOS
8 T1	630	530	665	4NOS	2NOS	8NOS
12 T1	735	635	770	4NOS	2NOS	12NOS

IP 43 E-SVTDB M T1 range



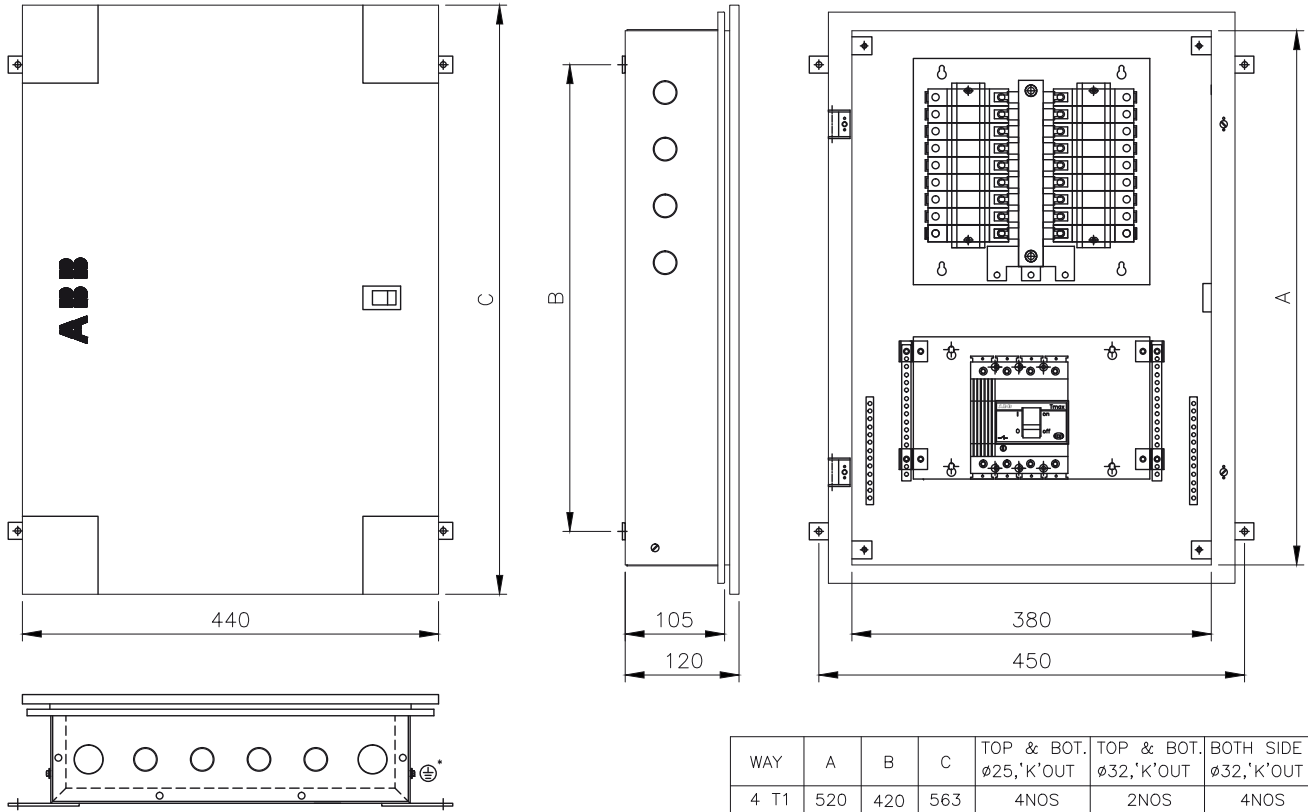
WAY	A	B	C	TOP & BOT. ø25,'K'OUT	TOP & BOT. ø32,'K'OUT	BOTH SIDE ø32,'K'OUT
4 T1	520	420	563	4NOS	2NOS	4NOS
6 T1	575	475	618	4NOS	2NOS	6NOS
8 T1	630	530	673	4NOS	2NOS	8NOS
12 T1	735	635	778	4NOS	2NOS	12NOS

All dimensions are in mm

Distribution boards

Elegance series - dimensional drawing

IP 54 E-SVTDB M WP T1 range



WAY	A	B	C	TOP & BOT. ø25, 'K'OUT	TOP & BOT. ø32, 'K'OUT	BOTH SIDE ø32, 'K'OUT
4 T1	520	420	563	4NOS	2NOS	4NOS
6 T1	575	475	618	4NOS	2NOS	6NOS
8 T1	630	530	673	4NOS	2NOS	8NOS
12 T1	735	635	778	4NOS	2NOS	12NOS

All dimensions are in mm

Distribution boards

Elegance series – vertical DB-E-SVTDB T3

Vertical three phase distribution board with provision for 4 pole MCCB (T-max/T3) up to 250A as incomer with three phase and single phase (TP/SP) MCB outgoing.

These distribution boards come with complete insulated busbar (tinned electrolytic copper) arrangement, shrouded neutral bar and earth bars.

Top and bottom removable gland plates with knockouts. Mounting of these boards can be flush or surface.

Available in, IP 30 (without door)

IP 43 (with metal door)

IP 54 (with metal door)



IP 30

Product description	Product code	No of ways	No of modules	
			I/C	O/G
E-SVTDB WD 4 T3	NSYN8690VTPWDT34	4 way	T-max	12
E-SVTDB WD 6 T3	NSYN8690VTPWDT36	6 way	T-max	18
E-SVTDB WD 8 T3	NSYN8690VTPWDT38	8 way	T-max	24
E-SVTDB WD 12 T3	NSYN8690VTPWDT312	12 way	T-max	36

IP 43 with metal door

Product description	Product code	No of ways	No of modules	
			I/C	O/G
E-SVTDB M 4 T3	NSYN8690VTP0MT34	4 way	T-max	12
E-SVTDB M 6 T3	NSYN8690VTP0MT36	6 way	T-max	18
E-SVTDB M 8 T3	NSYN8690VTP0MT38	8 way	T-max	24
E-SVTDB M 12 T3	NSYN8690VTP0MT312	12 way	T-max	36

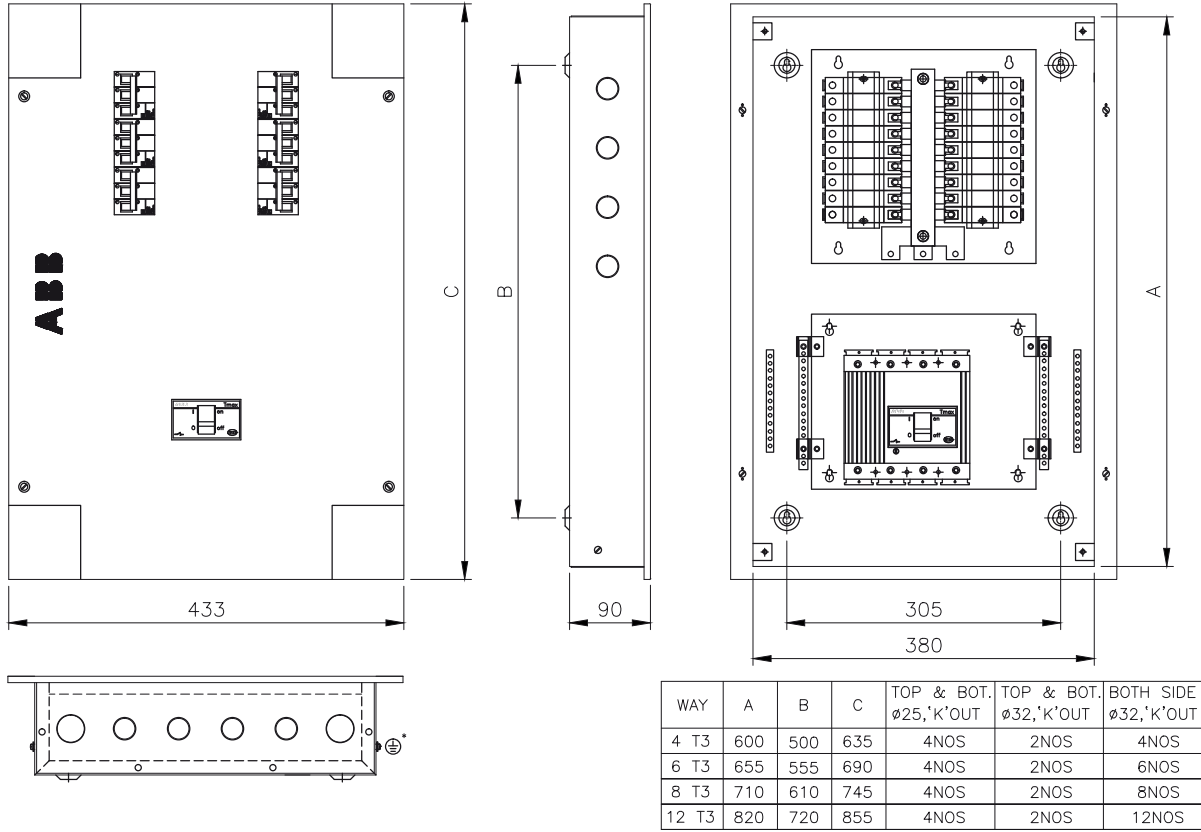
IP 54

Product description	Product code	No of ways	No of modules	
			I/C	O/G
E-SVTDB M WP 4 T3	NSYN8690VTPWPT34	4 way	T-max	12
E-SVTDB M WP 6 T3	NSYN8690VTPWPT36	6 way	T-max	18
E-SVTDB M WP 8 T3	NSYN8690VTPWPT38	8 way	T-max	24
E-SVTDB M WP 12 T3	NSYN8690VTPWPT312	12 way	T-max	36

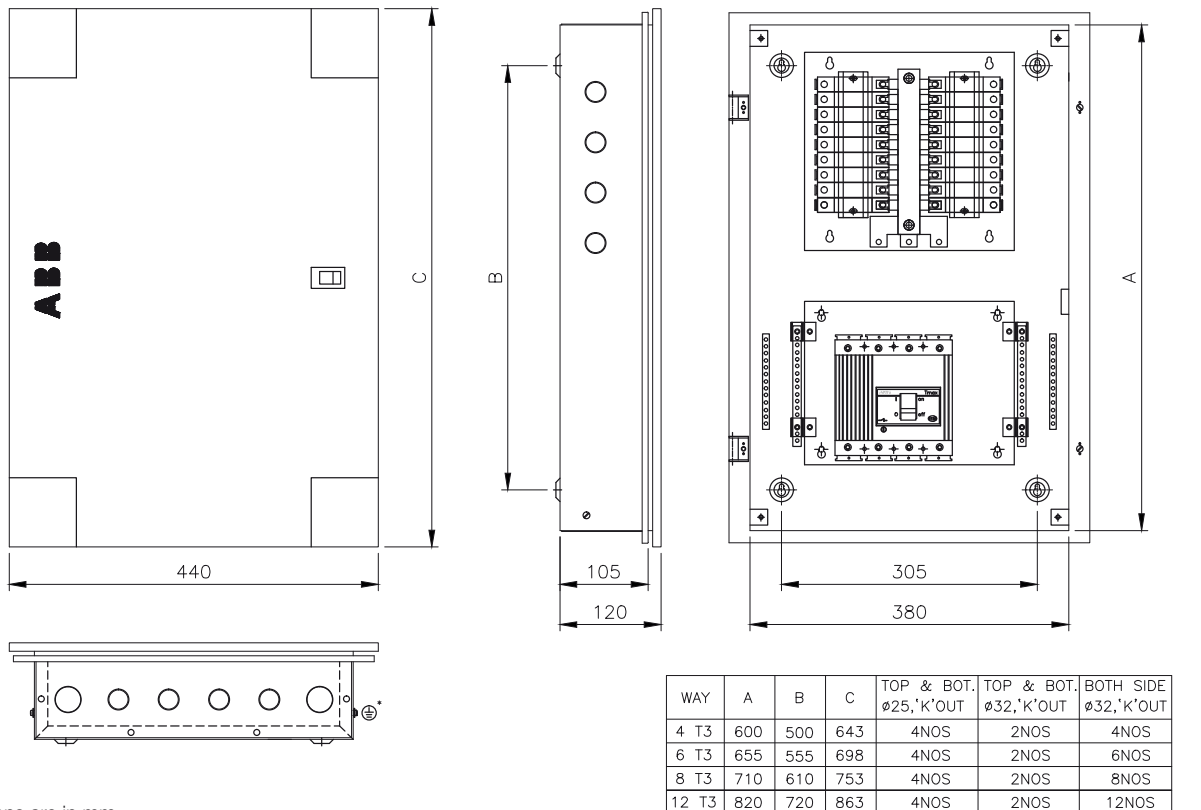
Distribution boards

Elegance series - dimensional drawing

IP 30 E-SVTDB WD T3 range



IP 43 E-SVTDB M T3 range

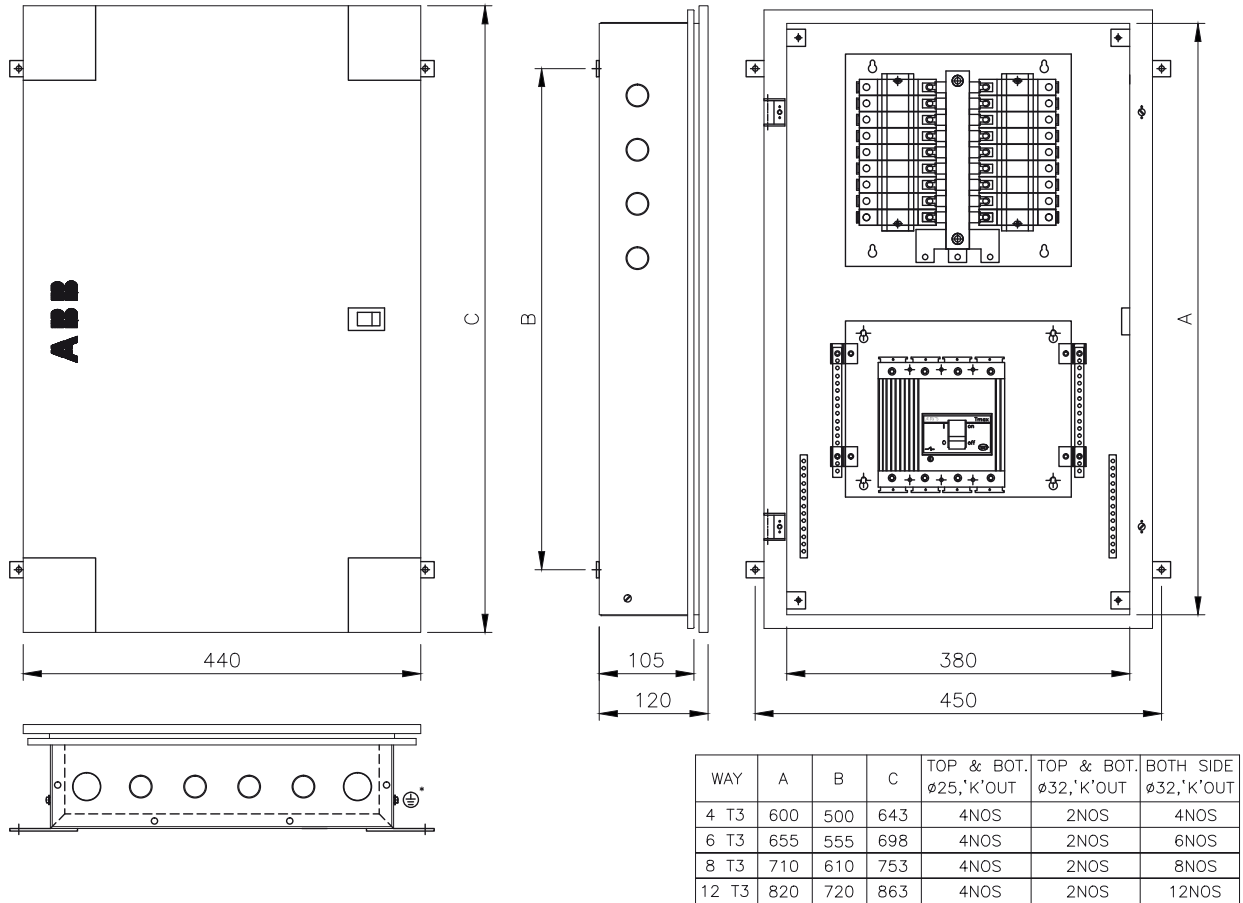


All dimensions are in mm

Distribution boards

Elegance series - dimensional drawing

IP 54 E-SVTDB M WP T3 range



All dimensions are in mm

Distribution boards

Elegance series – flexi tier DB-E-SVFL

Total flexibility as per site needs – configuration as per your choice of incoming and outgoing. Supply busbars need to be selected.

These distribution boards come with shrouded neutral link, earthing link.

Top and bottom, removable gland plates with knockouts. Mounting of these boards can be flush or surface.

Available in, IP 43 (with metal door)

IP 43 (metal door with acrylic)



1P 43 with metal door

Product description	product Code	No of ways	No of rows	No of modules
E-SVFL M 132	NSYN8690SVFM213	2 row of 13mod	2	26
E-SVFL M 133	NSYN8690SVFM313	3 row of 13mod	3	39
E-SVFL M 134	NSYN8690SVFM413	4 row of 13mod	4	52
E-SVFL M 142	NSYN8690SVFM214	2 row of 14mod	2	28
E-SVFL M 143	NSYN8690SVFM314	3 row of 14mod	3	42
E-SVFL M 144	NSYN8690SVFM414	4 row of 14mod	4	56

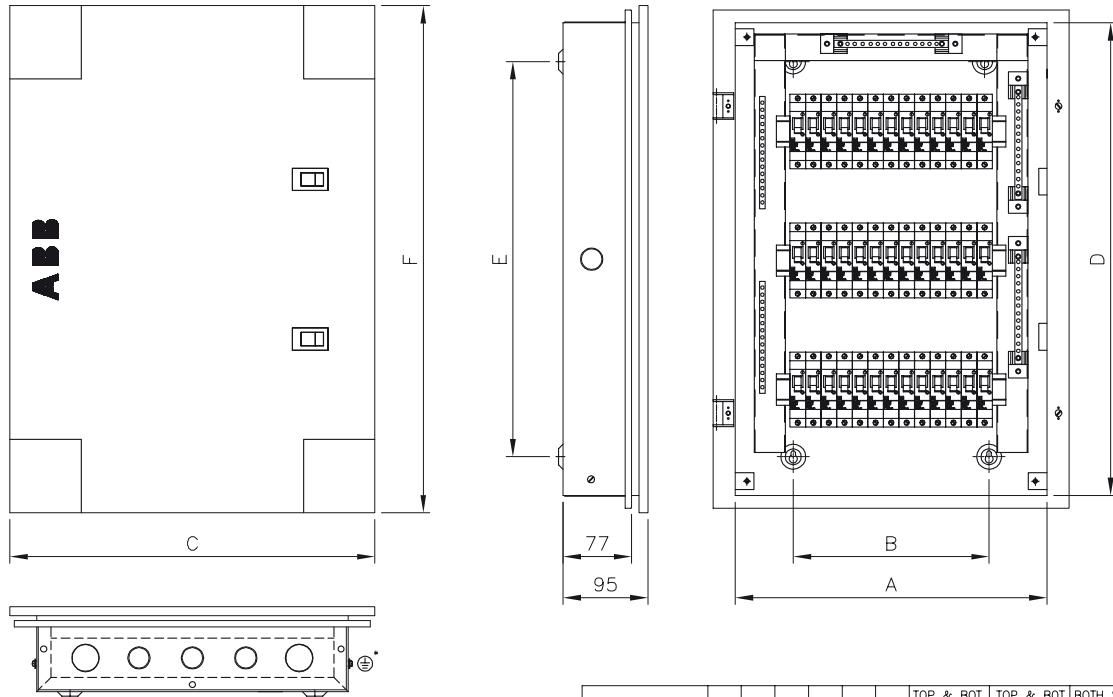
1P43 metal door with acrylic

Product description	Product code	No of ways	No of rows	No of modules
E-SVFL P 132	NSYN8690SVFP213	2 row of 13mod	2	26
E-SVFL P 133	NSYN8690SVFP313	3 row of 13mod	3	39
E-SVFL P 134	NSYN8690SVFP413	4 row of 13mod	4	52
E-SVFL P 142	NSYN8690SVFP214	2 row of 14mod	2	28
E-SVFL P 143	NSYN8690SVFP314	3 row of 14mod	3	42
E-SVFL P 144	NSYN8690SVFP414	4 row of 14mod	4	56

Distribution boards

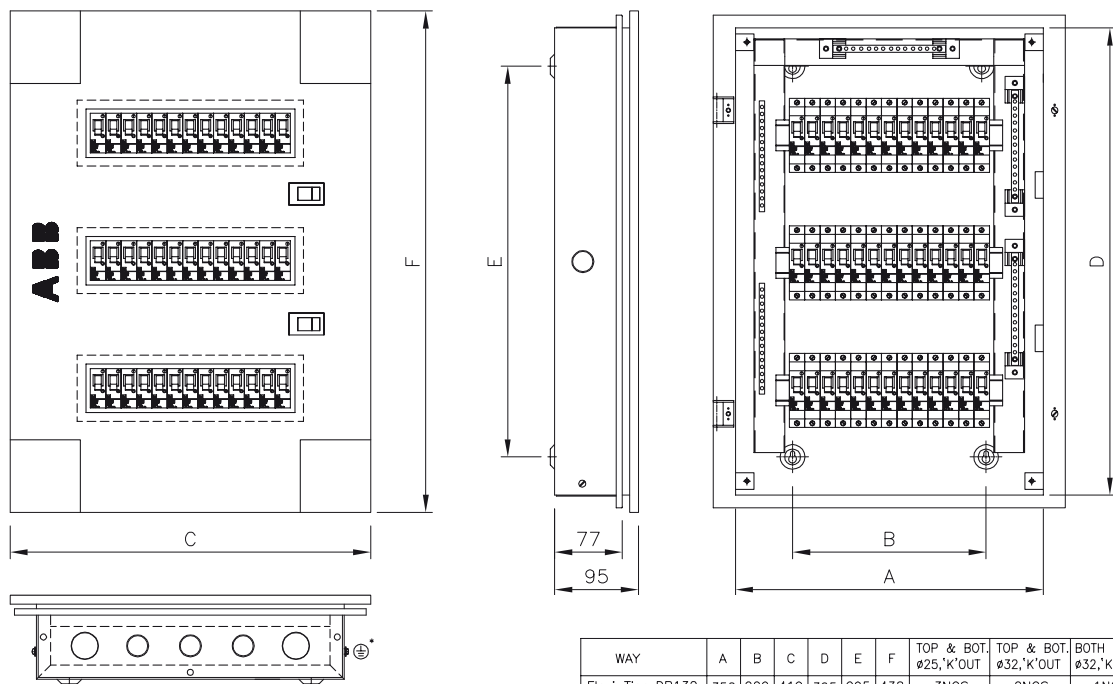
Elegance series - dimensional drawing

IP 43 E-SVFL M range



WAY	A	B	C	D	E	F	TOP & BOT. ø25,'K'OUT	TOP & BOT. ø32,'K'OUT	BOTH SIDE ø32,'K'OUT
Flexi Tier DB132	350	220	410	395	295	438	3NOS	2NOS	1NO
Flexi Tier DB133	350	220	410	550	450	593	3NOS	2NOS	1NO
Flexi Tier DB134	350	220	410	695	595	738	3NOS	2NOS	1NO
Flexi Tier DB142	370	240	430	395	295	438	3NOS	2NOS	1NO
Flexi Tier DB143	370	240	430	550	450	593	3NOS	2NOS	1NO
Flexi Tier DB144	370	240	430	695	595	738	3NOS	2NOS	1NO

IP 43 E-SVFL P range



WAY	A	B	C	D	E	F	TOP & BOT. ø25,'K'OUT	TOP & BOT. ø32,'K'OUT	BOTH SIDE ø32,'K'OUT
Flexi Tier DB132	350	220	410	395	295	438	3NOS	2NOS	1NO
Flexi Tier DB133	350	220	410	550	450	593	3NOS	2NOS	1NO
Flexi Tier DB134	350	220	410	695	595	738	3NOS	2NOS	1NO
Flexi Tier DB142	370	240	430	395	295	438	3NOS	2NOS	1NO
Flexi Tier DB143	370	240	430	550	450	593	3NOS	2NOS	1NO
Flexi Tier DB144	370	240	430	695	595	738	3NOS	2NOS	1NO

All dimensions are in mm

Distribution boards

Elegance series – 8 segment DB-E-S8SEG

Eight segment distribution board with phase segregation and separation between incoming and outgoing with provision for 4P+8P incomer (MCB / Isolator / RCD) and 4 pole sub-incomer (MCB / Isolator / RCD) with single phase outgoing.

These distribution boards come with shrouded neutral bar, earthing link and wire sets for cable management for each compartment.

Top and bottom, removable gland plates with knockouts. Mounting of these boards can be flush or surface.

Available in, IP 30 (without door)
IP 43 (with metal door)



IP 30

Product description	Product code	No of ways	No of modules		
			I/C	Sub I/C	O/G
E-S8SEG WD 4	NSYN8690S7SWD04	4 way	4+8	12	12
E-S8SEG WD 6	NSYN8690S7SWD06	6 way	4+8	12	18
E-S8SEG WD 8	NSYN8690S7SWD08	8 way	4+8	12	24
E-S8SEG WD 12	NSYN8690S7SWD12	12 way	4+8	12	36

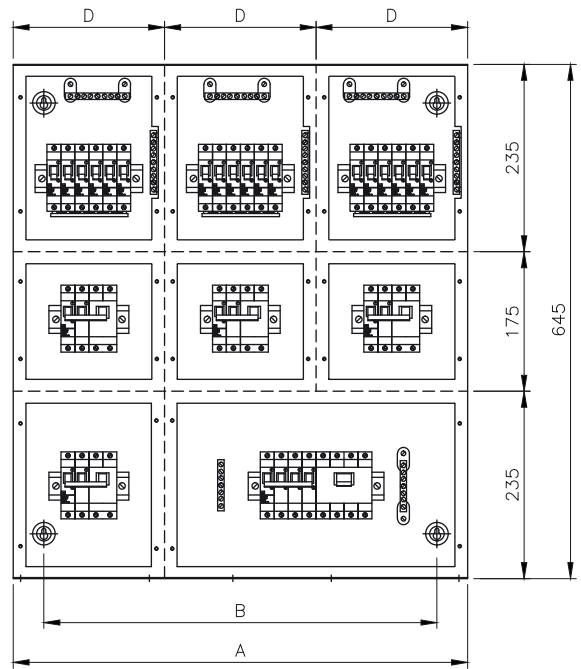
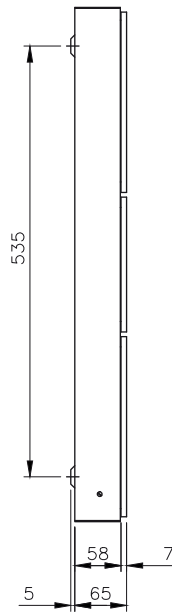
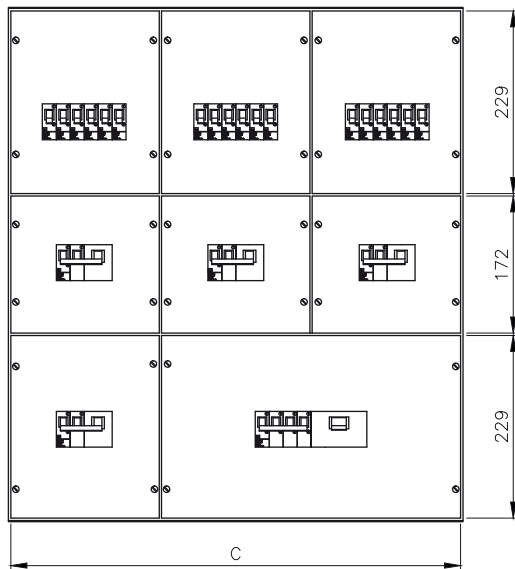
IP43 with metal door

Product description	Product code	No of ways	No of modules		
			I/C	Sub I/C	O/G
E-S8SEG M 4	NSYN8690S7SOM04	4 way	4+8	12	12
E-S8SEG M 6	NSYN8690S7SOM06	6 way	4+8	12	18
E-S8SEG M 8	NSYN8690S7SOM08	8 way	4+8	12	24
E-S8SEG M 12	NSYN8690S7SOM12	12 way	4+8	12	36

Distribution boards

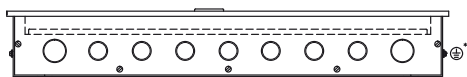
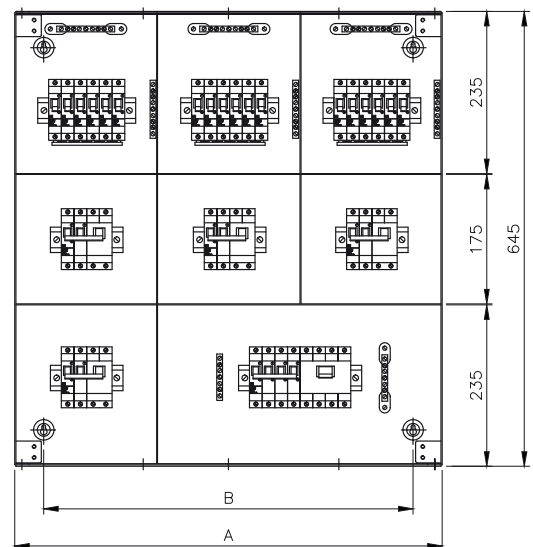
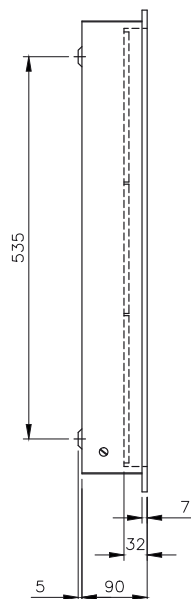
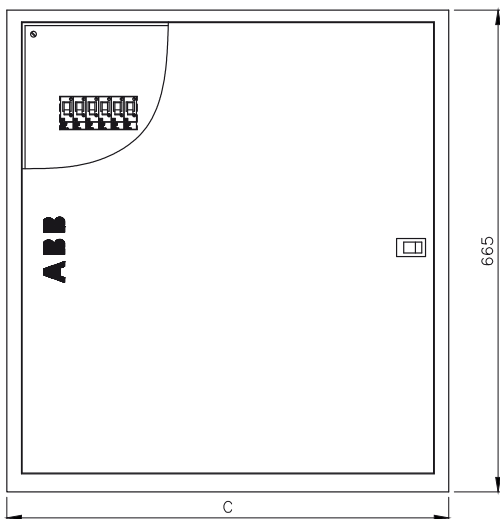
Elegance series - dimensional drawing

IP 30 E-S8SEG WD range



WAY	A	B	C	D	TOP & BOT Ø25, 'K' OUT
4	490	415	485	163	6NOS
6	595	520	590	198	8NOS
8	700	625	695	233	10NOS
12	910	835	905	303	12NOS

IP 43 E-S8SEG M range

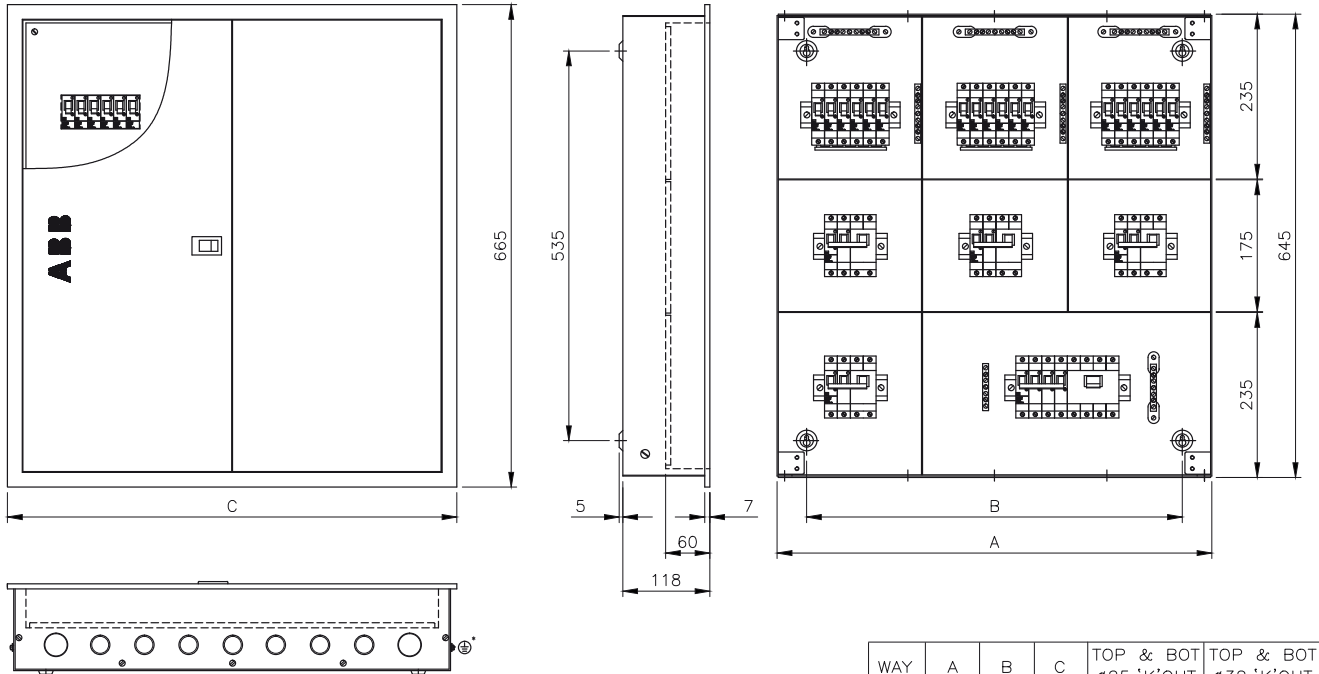


WAY	A	B	C	TOP & BOT Ø25, 'K' OUT	TOP & BOT Ø32, 'K' OUT
4	430	355	450	4NOS	2NOS
6	535	460	555	6NOS	2NOS

All dimensions are in mm

Distribution boards

Elegance series - dimensional drawing



WAY	A	B	C	TOP & BOT ø25, 'K'OUT	TOP & BOT ø32, 'K'OUT
8	645	570	665	8NOS	2NOS
12	860	785	880	10NOS	2NOS

All dimensions are in mm

Distribution boards

Elegance series – 7 segment MCCB I/C DB-E-S7SEG T1

Seven segment distribution board with phase segregation and separation between incoming and outgoing with provision for 4 pole MCCB (T-max/T1) up to 160A as incomer and 4 pole as sub-incomers (MCB /Isolator /RCD) with single phase outgoing.

These distribution boards come with shrouded neutral bar, earthing link and wire sets for cable management for each compartment.

Top and bottom, removable gland plates with knockouts. Mounting of these boards can be flush or surface.

Available in, IP 30 (without door)

IP 43 (with metal door)

IP 30

Product description	Product code	No of ways	No of modules		
			I/C	Sub I/C	O/G
E-S7SEG WD 4T1	NSYN8690S7SWDT14	4 way	T-max	12	12
E-S7SEG WD 6T1	NSYN8690S7SWDT16	6 way	T-max	12	18
E-S7SEG WD 8T1	NSYN8690S7SWDT18	8 way	T-max	12	24
E-S7SEG WD 12T1	NSYN8690S7SWDT112	12 way	T-max	12	36



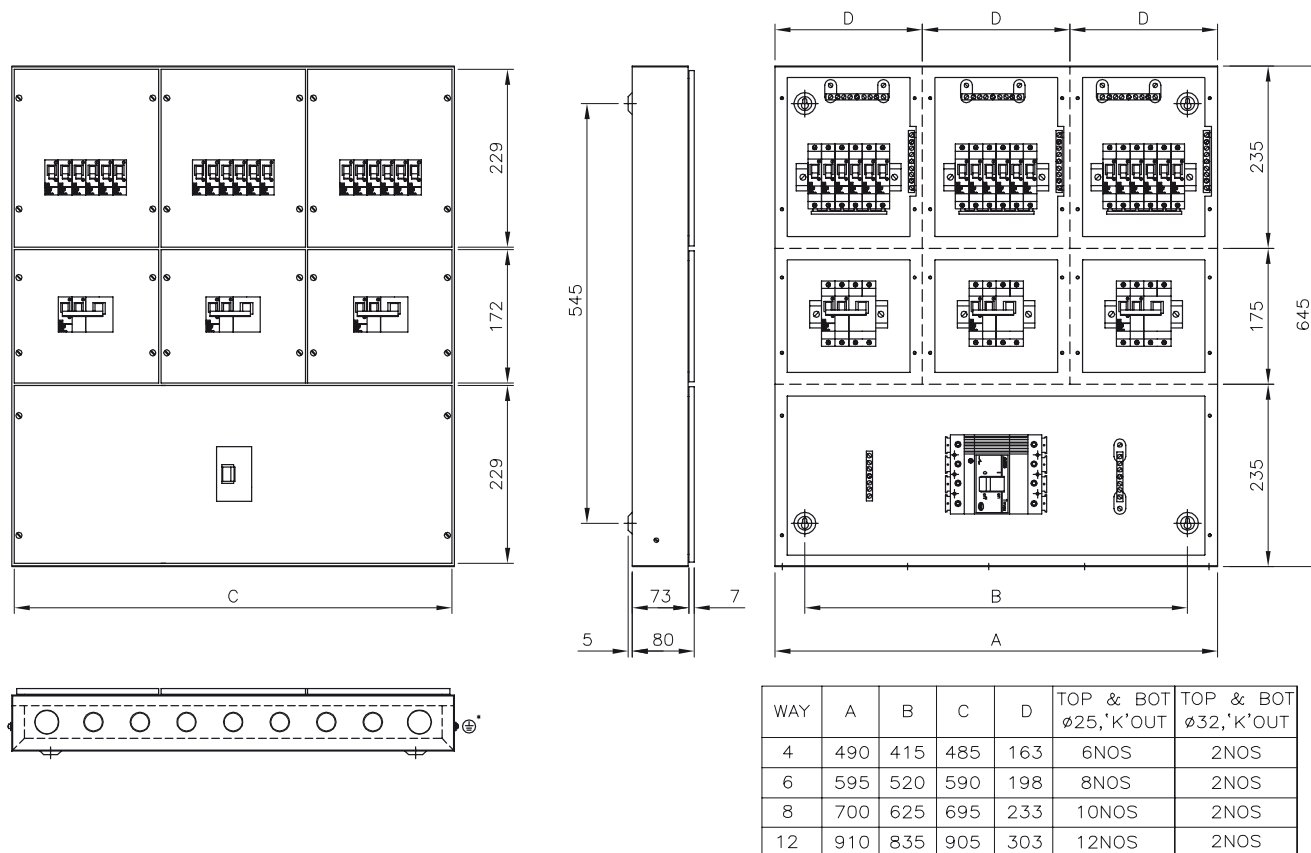
IP43 with metal door

Product description	Product code	No of ways	No of modules		
			I/C	Sub I/C	O/G
E-S7SEG M 4 T1	NSYN8690S7S0MT14	4 way	T-max	12	12
E-S7SEG M 6 T1	NSYN8690S7S0MT16	6 way	T-max	12	18
E-S7SEG M 8 T1	NSYN8690S7S0MT18	8 way	T-max	12	24
E-S7SEG M 12 T1	NSYN8690S7S0MT112	12 way	T-max	12	36

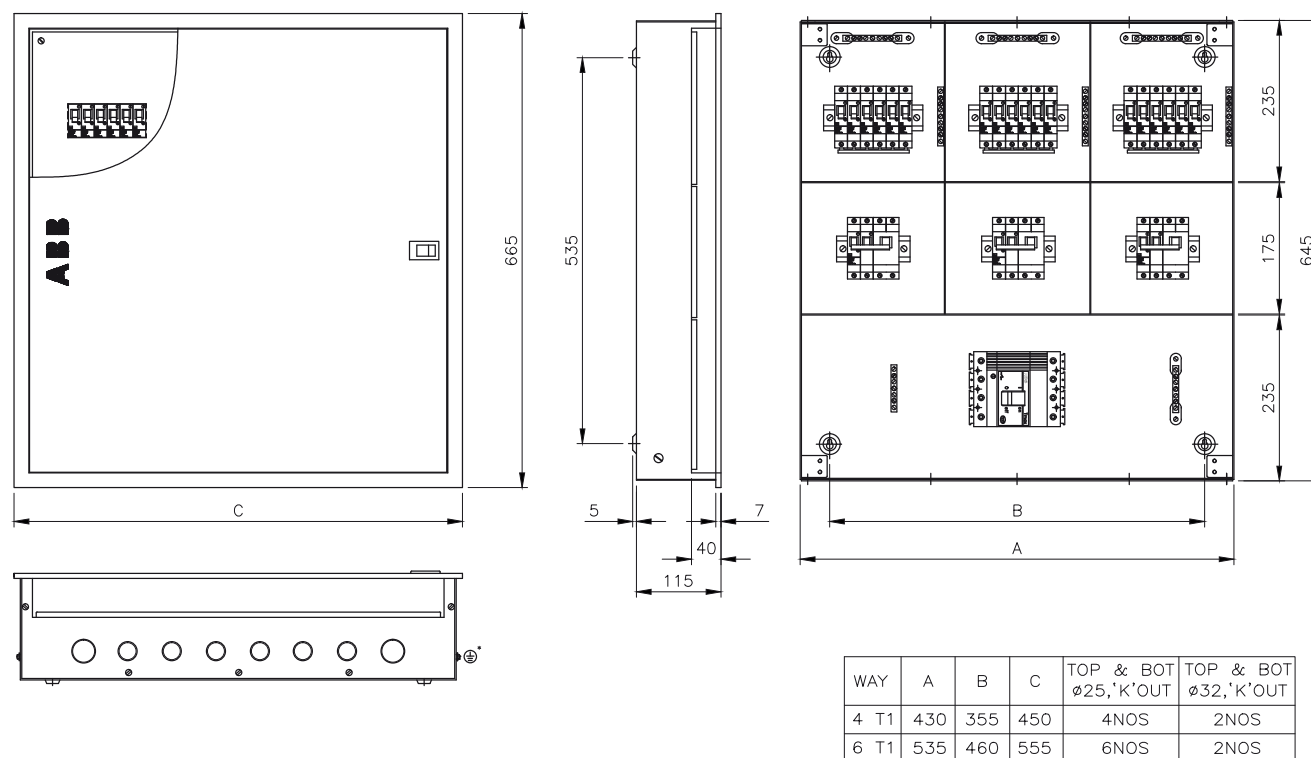
Distribution boards

Elegance series - dimensional drawing

IP 30 E-S7SEG WD T1 range



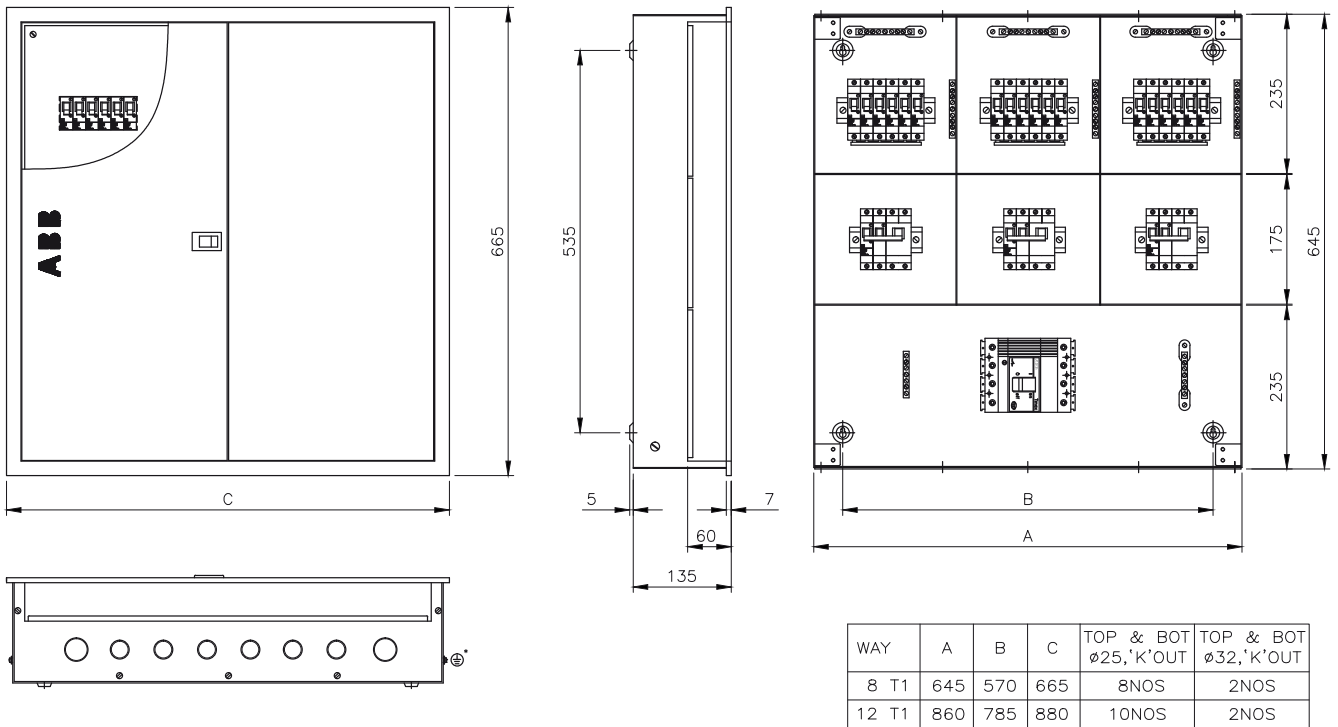
IP 43 E-S7SEG M T1 range



All dimensions are in mm

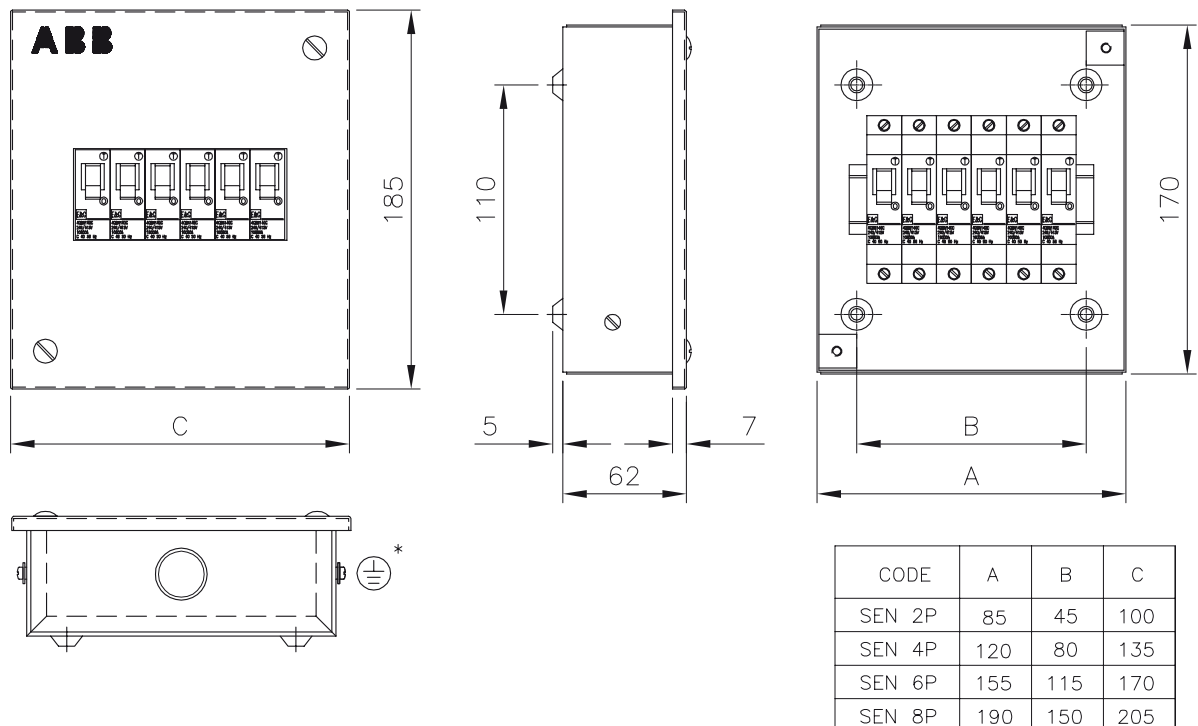
Distribution boards

Elegance series - dimensional drawing



Elegance series –SEN

Metal enclosures, universal mounting suitable for SP, DP, FP, 6P and 8 Pole arrangements



All dimensions are in mm

Distribution boards

Elegance series – phase selector DB –E-SPVS

Phase selector distribution boards with inbuilt 3 numbers of selector switches and 3 numbers of piano switches as well as provision for 8 pole MCB / Isolator / RCD as incoming and SP MCBs as outgoing.

These distribution boards come with earth link, shrouded Neutral link, tinned electrolytic insulated copper busbar and wire sets for cable management.

Top and bottom, removable gland plates with knockouts. Mounting of these boards can be flush or surface.

Available in, IP 30 (without door)
IP 43 (with metal door)



IP 30

Product description	Product code	No of ways	No of modules	
			I/C	O/G
E-SPVS WD 4(63A)	NSYN8690SPV4WD63	4 way	8	12
E-SPVS WD 6(63A)	NSYN8690SPV6WD63	6 way	8	18
E-SPVS WD 8(63A)	NSYN8690SPV8WD63	8 way	8	24
E-SPVS WD 12(63A)	NSYN8690SPV12WD63	12 way	8	36
E-SPVS WD 4(40A)	NSYN8690SPV4WD40	4 way	8	12
E-SPVS WD 6(40A)	NSYN8690SPV6WD40	6 way	8	18
E-SPVS WD 8(40A)	NSYN8690SPV8WD40	8 way	8	24
E-SPVS WD 12(40A)	NSYN8690SPV12WD40	12 way	8	36

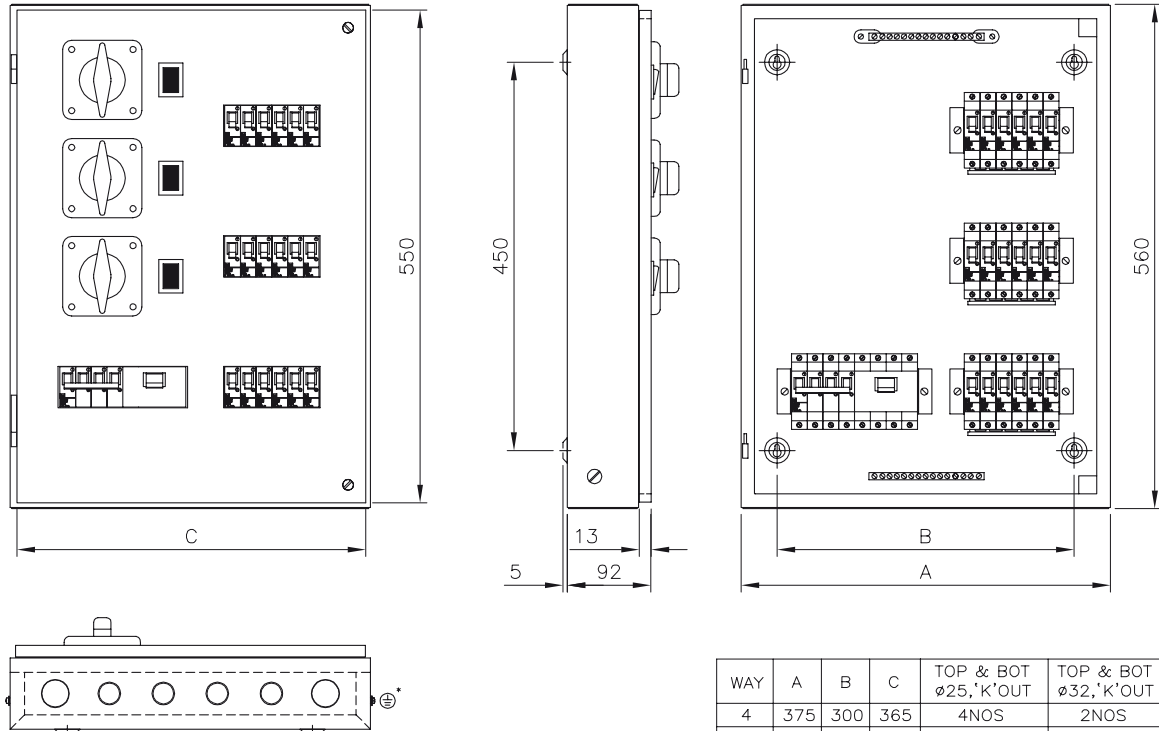
1P 43 with metal door

Product description	Product code	No of ways	No of modules	
			I/C	O/G
E-SPVS M 4(63A)	NSYN8690SPV4M63	4 way	8	12
E-SPVS M 6(63A)	NSYN8690SPV6M63	6 way	8	18
E-SPVS M 8(63A)	NSYN8690SPV8M63	8 way	8	24
E-SPVS M 12(63A)	NSYN8690SPV12M63	12 way	8	36
E-SPVS M 4(40A)	NSYN8690SPV4M40	4 way	8	12
E-SPVS M 6(40A)	NSYN8690SPV6M40	6 way	8	18
E-SPVS M 8(40A)	NSYN8690SPV8M40	8 way	8	24
E-SPVS M 12(40A)	NSYN8690SPV12M40	12 way	8	36

Distribution Boards

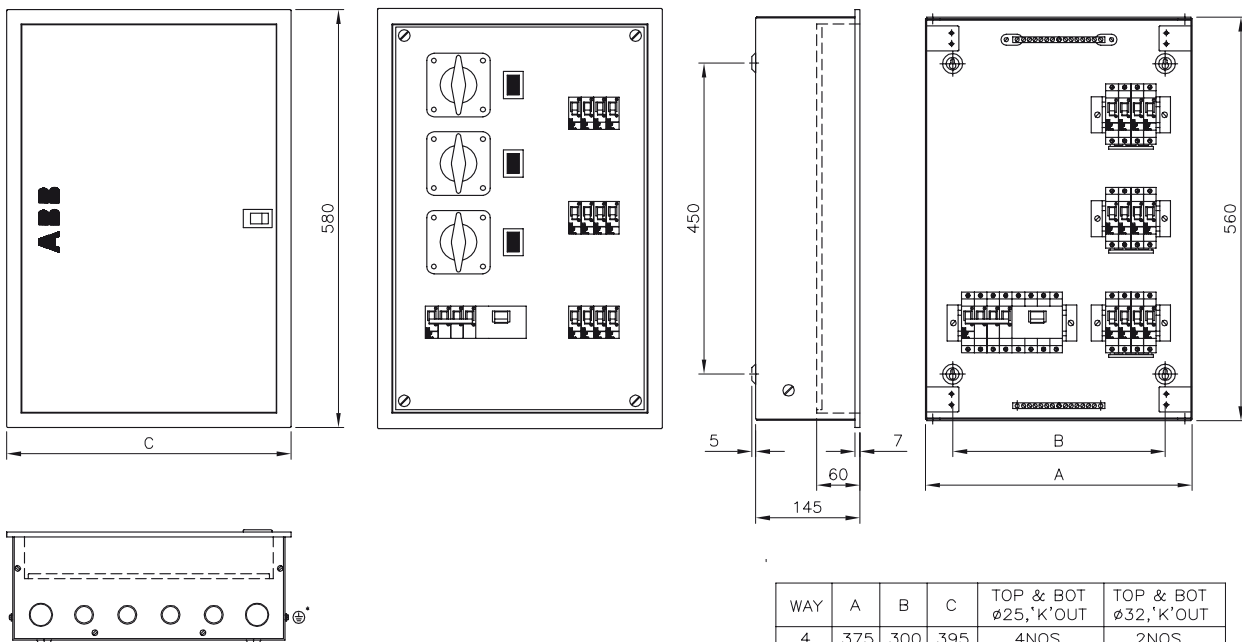
Elegance Series - Dimensional Drawing

IP 30 E-SPVS WD Range



WAY	A	B	C	TOP & BOT ø25,'K'OUT	TOP & BOT ø32,'K'OUT
4	375	300	365	4NOS	2NOS
6	410	335	400	4NOS	2NOS
8	445	370	435	5NOS	2NOS
12	515	440	505	7NOS	2NOS

IP 43 E-SPVS M Range



WAY	A	B	C	TOP & BOT ø25,'K'OUT	TOP & BOT ø32,'K'OUT
4	375	300	395	4NOS	2NOS
6	410	335	430	5NOS	2NOS
8	445	370	465	6NOS	2NOS
12	515	440	535	7NOS	2NOS

All Dimensions are in mm

Distribution boards

Elegance series – plug & socket DB – E-SGK

This range offers a wide variety of plug & sockets boards.

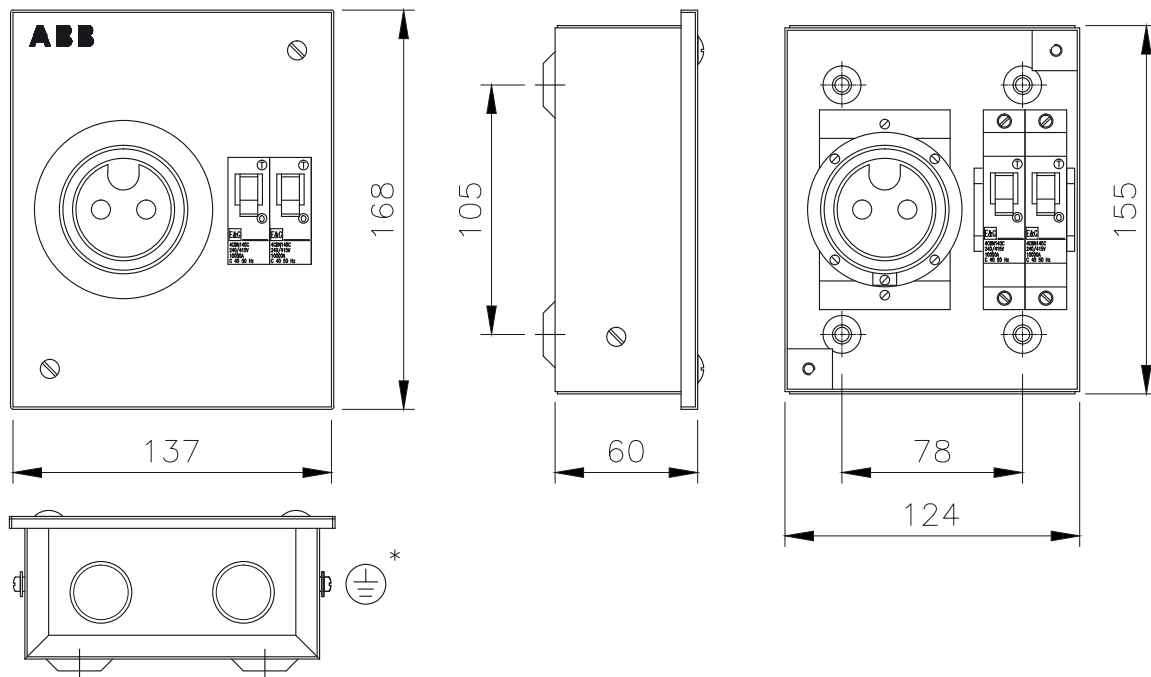
These plug & sockets can be used for single phase or three phase application up to 63A along with MCB or RCBO with provision for universal mounting.

Plug & Socket DB - E - SGK

Product description	Product Code	No of ways	No of modules
E-SGK 10 SP	NSYN8690SGKSP10	10A SP	1
E-SGK 20 SP	NSYN8690SGKSP20	20A SP	1

E-SGK 10 & 20SP

Dimensions, same for E - SGK 10 & 20A with single pole and double pole provision



All dimensions are in mm

Distribution boards

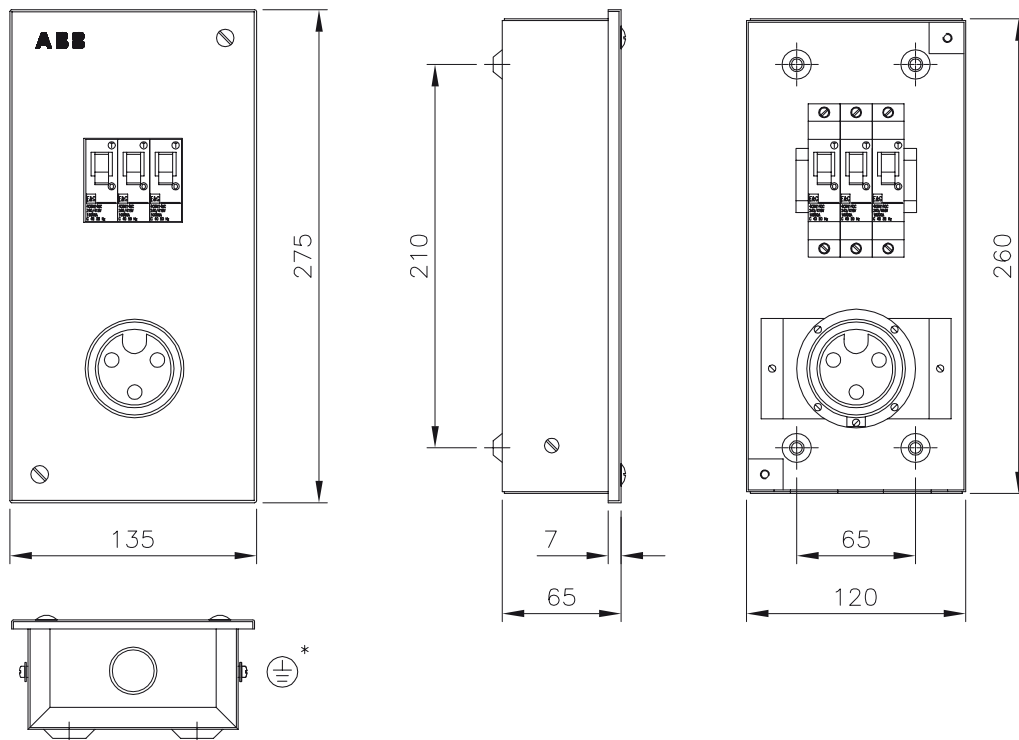
Elegance series - dimensional drawing

Plug & Socket DB - E - SGK

Product description	Product code	No of ways	No of modules
E-SGK 20 TP	NSYN8690SGKTP20	20A TP	3
E-SGK 30 TP	NSYN8690SGKTP30	30A TP	3

E-SGK 20 & 30 TP

Dimensions, same for E - SGK 20 A & 30A with three pole provision



All dimensions are in mm

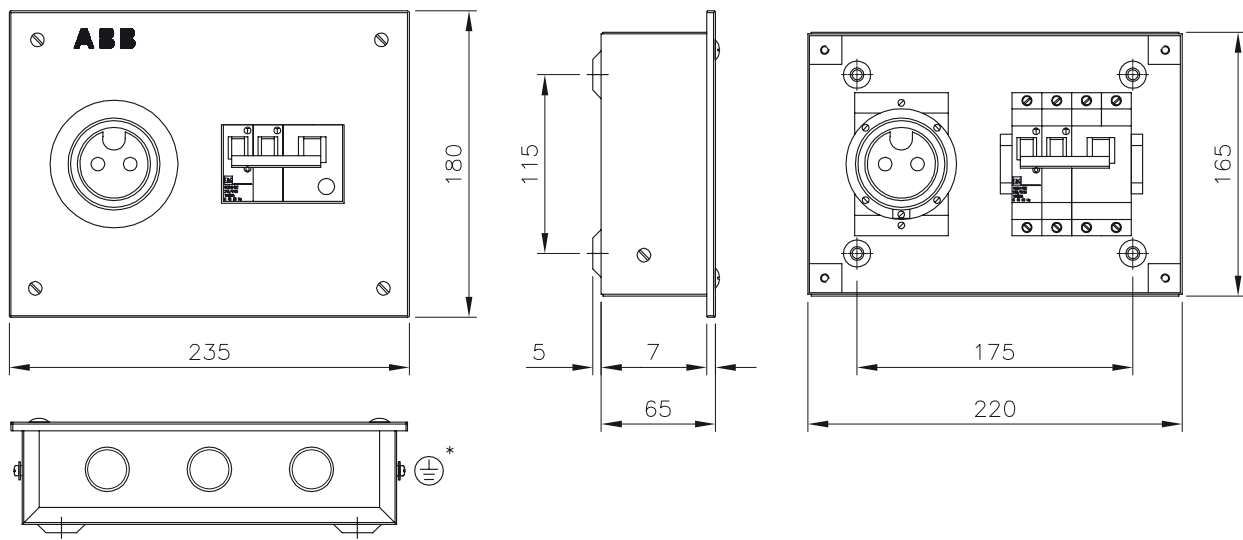
Distribution boards

Elegance series - dimensional drawing

E-SGK 20 DPR

Plug & Socket DB - E - SGK

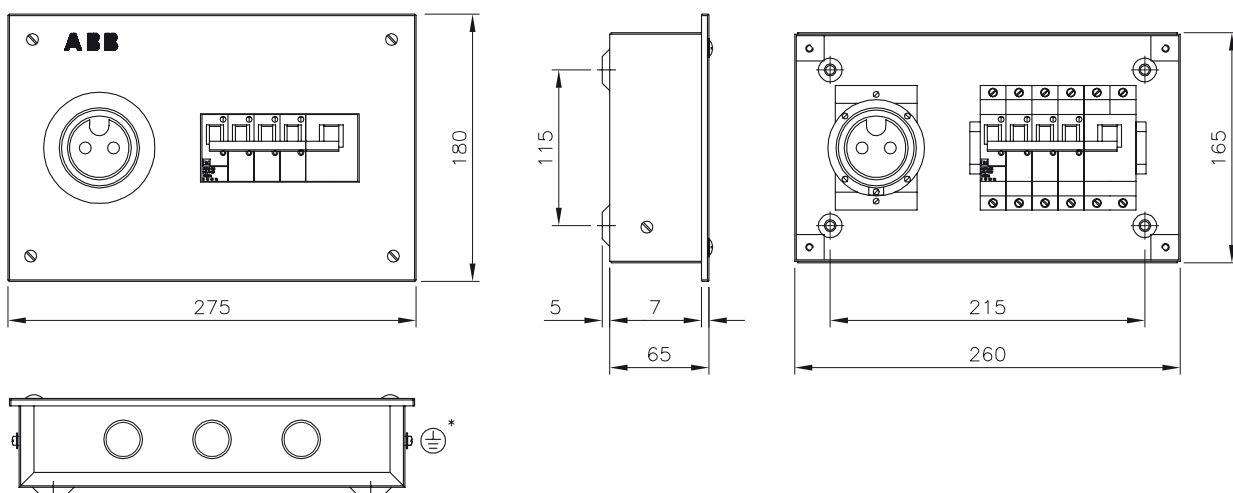
Product description	Product code	No of ways	No of modules
E-SGK 20 DPR	NSYN8690SGKDP20	20A DP RCBO	4



E-SGK 25 FPR

Plug & Socket DB - E - SGK

Product description	Product code	No of ways	No of modules
E-SGK 25 FPR	NSYN8690SGKFP25	25A FP RCBO	6



All dimensions are in mm

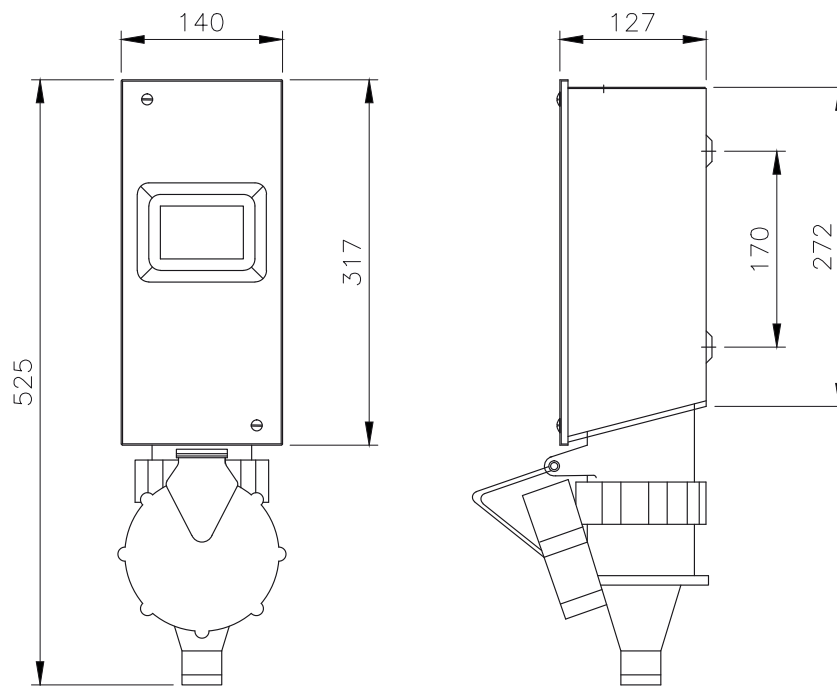
Distribution boards

Elegance series - dimensional drawing

E-SGK 60 FP

Plug & Socket DB-E-SGK

Product description	Product code	No of ways	No of modules
E-SGK 60 FP	NSYN8690SGKFP60	60A FP	4



Distribution Boards

Elegance Series - Supply Busbars (Insulated)

Available in meter and module size (as per requirement)

SP pin type busbar (insulated)



TP pin type busbar (insulated)



DP Pin type busbar (insulated)



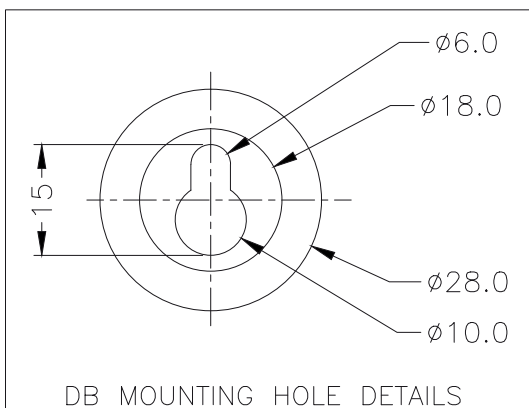
FP pin type busbar (insulated)



Elegance series

Hole mounting dimension

Hole mounting dimension are common for all IP 30 and IP 43 Elegance range distribution boards.




*  Earth Screw

Contact us

ABB India Helpline:

Technical Telephone support for customers and channel partners.

 **Toll Free : (BSNL) +91 1800 420 07 07**

email : lp.contactcenter@in.abb.com

www.abb.com/lowvoltage