

# BLENZE PRO

Add Delight By Design



**BEYOND THE  
EXPECTED  
BEYOND  
COMPARE**

**Honeywell**

# ABOUT **BLENZE PRO**

Add Delight By Design

Put the exclamation mark on delightfully uncommon design with the Blenze Pro range – crafted from Glass in White, Black & Silver; from Metal in Natural Aluminum; and from Polycarbonate in Synthetic Chalk White, Jet Black, Magnesium Grey, Champagne Gold, Sterling Silver, and Red Oak Wood. The perfect combination of stunning aesthetics and state of the art features.





# EXPRESS THE EXCEPTIONAL EXPERIENCE THE EXQUISITE

Designing the extraordinary is about an exclusive palette to select from, as much as an unbridled flight of imagination. The **Blenze Pro** range of premium wiring devices empower a synergy between creative inspiration and unrivalled execution, to manifest the superlative.



The Blenze Pro range can be used to either complement or contrast a defining design element, such as a grunge feature wall.





# THE CLEAR CHOICE FOR REFINED GRACE

A classic design vocabulary is the hallmark of the Blenze Pro range. Plates crafted from high quality authentic glass reassert the range's urbane sophistication, with a superb crystalline look that is at once discreet and distinctive.



Selections made from real glass, in the Blenze Pro range, add an uncluttered visual aesthetic.

# **SLEEK BURNISHED FINISH WITH A STATELY ELEGANCE**

Humanity's love affair with metal is as old as civilization. Their malleable and hardy nature is complemented with a lustrous and smooth finish. Blenze Pro range showcases the unique looks of real aluminium, to add a singular touch to diverse designs.



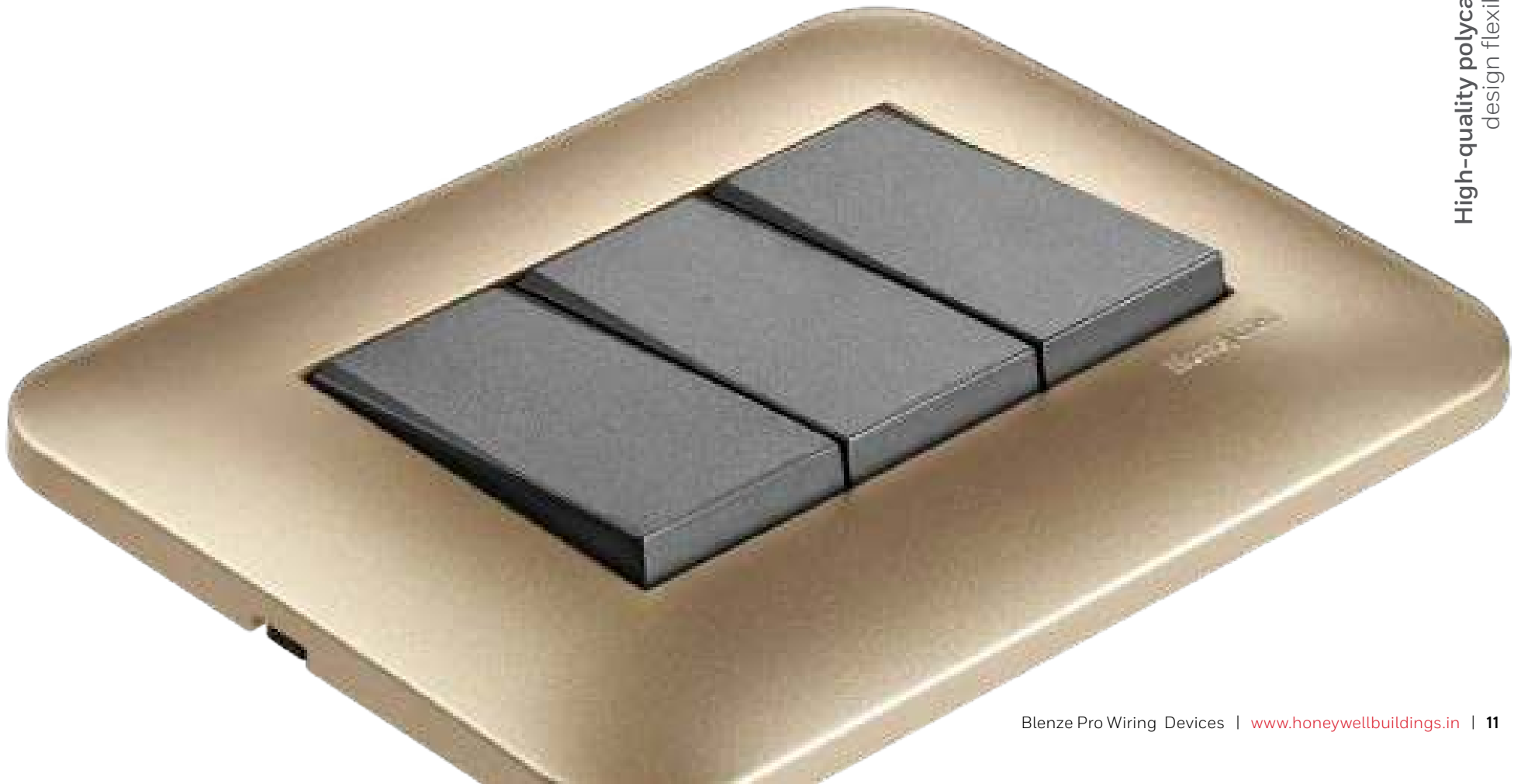
**Natural Aluminium**, for a look that is both neutral and unmistakable, when added to an ensemble.





# BREATHTAKING VISIONS IN VERSATILE POLYCARBONATE

With their dust repellent properties, smooth finish, and ability to mold to unlimited artistic inspiration, polycarbonates offer a distinctly ultra-modern design palette; and the Blenze Pro range leverages this versatility to the utmost.



High-quality polycarbonate, for a combination of design flexibility and flawless practicality.

# ELEGANT AESTHETIC MAGICAL EXPERIENCES

The Blenze Pro range makes the most of the exceptional versatility of polycarbonates, with an unfettered design language that is unmistakably cosmopolitan.



White

Champagne Gold

Magnesium Grey

Red Oak Wood



# **SILENT & SOFT** **SWITCH** **OPERATION**

To add a touch of class and sophisticated modern performance, the Blenze Pro range features switches that respond to a light touch, with silent and soft operations.



Add a distinctively premium touch to spaces,  
with silent and soft-touch switch operations.



**Healthier spaces**, with built-in pathogen elimination on frequently touches surfaces.



# ANTIBACTERIAL RANGE

Control surfaces of wiring devices are touched by multiple users, making them likely to spreading pathogens. The Blenze Pro range's antibacterial\* surfaces eliminate 99.7% of bacteria - tested as per JIS Z 2801:2010.

*\*Available in Synthetic Chalk White Only*



# UNIQUE LUNAR DESIGN

An understated but unmissable curved design adds to the chic appearance of the Blenze Pro range, adding to the collection's characteristic visual appeal with minimal protrusion from wall.

Style that makes a **lasting impression**,  
with every design element.



Intuitive user driven control of spaces,  
with inbuilt **energy savings**.



A photograph of a modern hotel room. In the foreground, a bed with white linens is visible. In the background, a large window offers a view of a city and a body of water. A desk with a chair and a lamp is on the left, and another lamp is on the right. The room has a clean, contemporary feel with wood accents.

# **KEYTAG ENABLED CONVENIENCE**

The Blenze Pro range is a perfect fit for exclusive hospitality properties. Using keytags with room labels, guests get convenient access to suite facilities, while the property is able to operate with seamless sustainability.

A white ceramic vase with dried wheat stalks sits on a white charging pad, which is placed on a wooden table. The background is a light, textured wall.

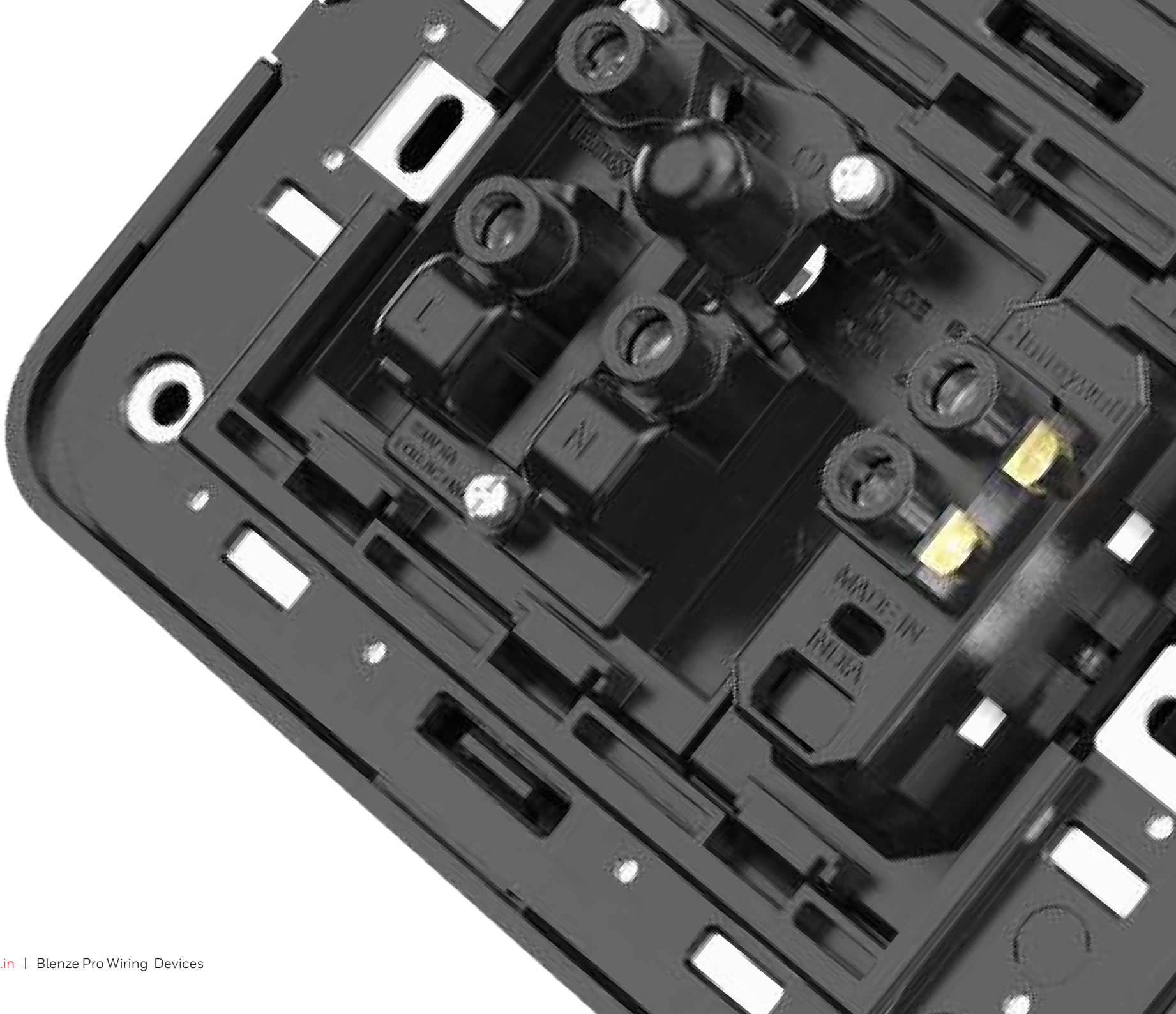
# **FAST** **USB CHARGING**

Available with USB A & C type charging ports, the Blenze Pro range gives users access to state of the art functionality and benefits.



**Tech features** that deliver up to the minute convenience and usability

**Magic lives** in what is hidden,  
and not in the revealed.





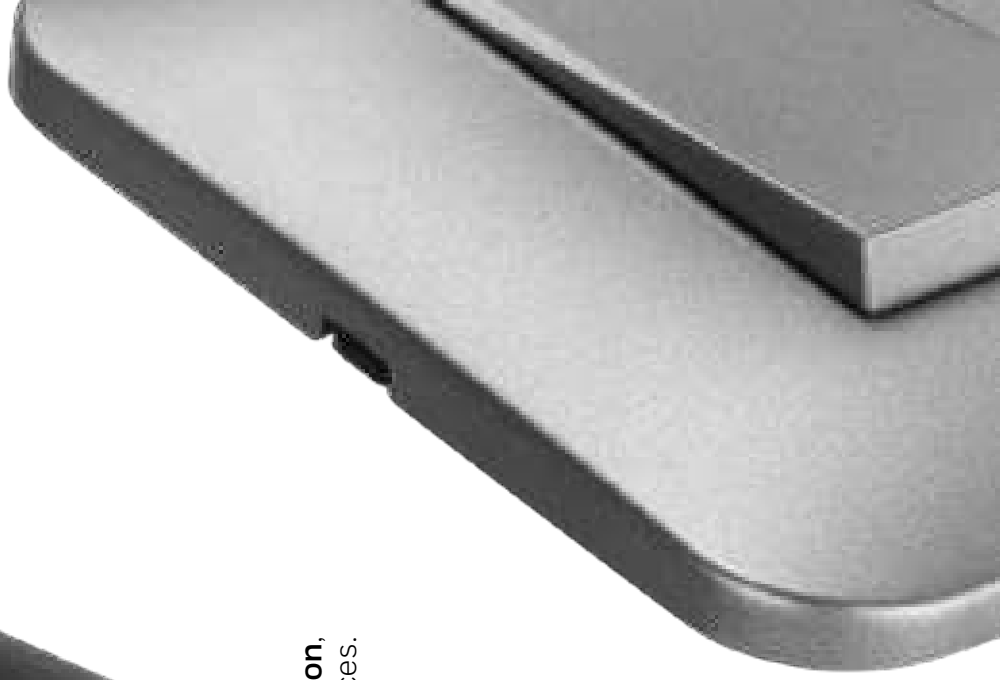
## **BI-MATERIAL** **INSULATED** **GRID PLATE**

The Blenze Pro range is designed to be wall-mounted without any visible screws. The futuristic features extend to a robust and sturdy insulated grid plate, for added safety.



# **COMPREHENSIVE RANGE IDEAL FOR HOSPITALITY**

Creating the perfect guest experience is the hallmark of the finest hospitality properties. The secret is always in getting the details right and Blenze Pro delivers - from stunning looks to keytag driven functionality, pathogen resistant surfaces, and much more.






Designed as a **holistic solution**,  
for exclusive experiences.



# BLENZE PRO WIRING DEVICES


## SWITCHES - SYNTHETIC CHALK WHITE

	ITEMCODE	DESCRIPTION	MODULE	CARTON QTY.*
	BW501SCW	6AX One Way Switch	1M	<b>30 / 450</b>
	BW502SCW	6AX Two Way Switch	1M	<b>30 / 450</b>
	BW503SCW	6AX One Way with Indicator	1M	<b>20 / 300</b>
	BW601SCW	6AX Two Way Switch	2M	<b>15 / 225</b>
	BW401SCW	10AX One Way Switch	1M	<b>30 / 450</b>
	BW402SCW	10AX Two Way Switch	1M	<b>30 / 450</b>
	BW411SCW	16AX One Way Switch	1M	<b>30 / 450</b>
	BW412SCW	16AX Two Way Switch	1M	<b>30 / 450</b>
	BW413SCW	16AX One Way with Indicator	1M	<b>20 / 300</b>
	BW220SCW	25A SP One Way Switch with Indicator	1M	<b>20 / 300</b>
	BW224SCW	32A DP Switch with Indicator	2M	<b>15 / 225</b>
	BW505SCW	6A Bell Push Switch	1M	<b>30 / 450</b>
	BW506SCW	6A Bell Push Switch with Indicator	1M	<b>20 / 300</b>
	BW504SCW	6A Bell Push Switch With Indicator	2M	<b>15 / 225</b>


## SOCKETS - SYNTHETIC CHALK WHITE

	ITEMCODE	DESCRIPTION	MODULE	CARTON QTY.*
	BW421SCW	6A Round Pin Socket (ISI Marked)	2M	<b>20 / 300</b>
	BW424SCW	6/16A Socket (ISI Marked)	2M	<b>20 / 300</b>
	BW426SCW	International Socket For 6/10/13A	2M	<b>20 / 300</b>
	BW425SCW	25A Socket	2M	<b>20 / 300</b>
	BW428SCW	6/16A Raised Socket (ISI Marked)	2M	<b>20 / 300</b>


## FAN REGULATOR, DIMMER & BUZZER - SYNTHETIC CHALK WHITE

	ITEMCODE	DESCRIPTION	MODULE	CARTON QTY.*
	BW471SCW	100W Fan Step Controller (ISI Marked)	1M	<b>20 / 300</b>
	BW472SCW	120W Fan Step Controller (ISI Marked)	2M	<b>15 / 225</b>
	BW480SCW	400W Dimmer	2M	<b>15 / 225</b>
	BW485SCW	Electronic Buzzer	2M	<b>15 / 225</b>


## MOTOR STARTER & MINI TRIP MCB - SYNTHETIC CHALK WHITE

	ITEMCODE	DESCRIPTION	MODULE	CARTON QTY.*
	BW217SCW	25A Motor Starter	2M	<b>6 / 72</b>
	BW227SCW	25A SP Mini Trip MCB	1M	<b>12 / 144</b>
	BW228SCW	25A DP Minitrip MCB	2M	<b>6 / 72</b>

## SUPPORT ACCESSORIES - SYNTHETIC CHALK WHITE


	ITEMCODE	DESCRIPTION	MODULE	CARTON QTY.*
	BW441SCW	Blank Plate	1M	<b>40 / 600</b>
	BW451SCW	TV Coaxial Socket	1M	<b>25 / 375</b>
	BW462SCW	TV Cable Outlet	1M	<b>25 / 375</b>
	BW586SCW	2.1A 1 Port A Type USB Charger	1M	<b>25 / 375</b>
	BW589SCW	2.1A 1 Port C Type USB Charger	1M	<b>25 / 375</b>

## COMMUNICATION ACCESSORIES - SYNTHETIC CHALK WHITE



	ITEMCODE	DESCRIPTION	MODULE	CARTON QTY.*
	BW492SCW	RJ11 2 Line with Shutter	1M	<b>20 / 300</b>
	BW493SCW	RJ45 CAT 6a	1M	<b>25 / 375</b>
	BW491SCW	RJ45 Receptor	1M	<b>25 / 375</b>

\*Quantity inside Primary carton / Quantity inside Master carton.  
Orders to be placed mandatorily in multiples of quantity mentioned in **Bold**.

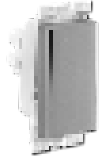

### HOSPITALITY ACCESSORIES - SYNTHETIC CHALK WHITE

	ITEMCODE	DESCRIPTION	MODULE	CARTON QTY.*
	BW414SCW	Two Way Switch with DND Mark	1M	30 / 450
	BW415SCW	One Way Switch with MMR Mark	1M	30 / 450
	BW903SCW	MML Indicator	1M	20 / 300
	BW416SCW	One Way Switch with MML Mark	1M	30 / 450
	BW507SCW	Bell Push with DND & MMR Indicator	2M	15 / 225
	BW527SCW	Energy Key Tag with Time Delay	2M	4 / 60
	BW529SCW	Shaver Socket	3M	2 / 30
	BW530SCW	LED Foot Lamp Cool White	2M	15 / 225
	BW531SCW	LED Foot Lamp Warm White	2M	15 / 225

### FRONT PLATES - SYNTHETIC CHALK WHITE

	ITEMCODE	DESCRIPTION	MODULE	CARTON QTY.*
 	BW101SCW	1 Module Front Plate	1M	18 / 270
	BW102SCW	2 Module Front Plate	2M	18 / 180
	BW103SCW	3 Module Front Plate	3M	12 / 180
	BW104SCW	4 Module Front Plate	4M	12 / 180
	BW106SCW	6 Module Front Plate	6M	8 / 112
	BW18HSCW	8 Module Horizontal Front Plate	8M (H)	6 / 90
	BW18VSCW	8 Module Square Front Plate	8M (S)	4 / 64
	BW109SCW	9 Module Front Plate	9M	6 / 90
	BW112SCW	12 Module Front Plate	12M	4 / 56
	BW116SCW	16 Module Front Plate	16M	4 / 48
BW118SCW	18 Module Front Plate	18M	3 / 21	


### SWITCHES - MAGNESIUM GREY

	ITEMCODE	DESCRIPTION	MODULE	CARTON QTY.*
 	BW501GRY	6AX One Way Switch	1M	30 / 450
	BW502GRY	6AX Two Way Switch	1M	30 / 450
	BW601GRY	6AX Two Way Switch	2M	15 / 225
	BW411GRY	16AX One Way Switch	1M	30 / 450
	BW413GRY	16AX One Way with Indicator	1M	20 / 300
	BW220GRY	25A SP One Way Switch with Indicator	1M	20 / 300
	BW224GRY	32A DP Switch with Indicator	2M	15 / 225
	BW505GRY	6A Bell Push Switch	1M	30 / 450
	BW504GRY	6A Bell Push Switch With Indicator	2M	15 / 225

### SOCKETS - MAGNESIUM GREY

	ITEMCODE	DESCRIPTION	MODULE	CARTON QTY.*
	BW421GRY	6A Round Pin Socket (ISI Marked)	2M	20 / 300
	BW424GRY	6/16A Socket (ISI Marked)	2M	20 / 300
	BW426GRY	International Socket For 6/10/13A	2M	20 / 300
	BW425GRY	25A Socket	2M	20 / 300
	BW428GRY	6/16A Raised Socket (ISI Marked)	2M	20 / 300


### FAN REGULATOR, DIMMER & BUZZER - MAGNESIUM GREY


	ITEMCODE	DESCRIPTION	MODULE	CARTON QTY.*
	BW471GRY	100W Fan Step Controller (ISI Marked)	1M	20 / 300
	BW472GRY	120W Fan Step Controller (ISI Marked)	2M	15 / 225
	BW485GRY	Electronic Buzzer	2M	15 / 225


\*Quantity inside Primary carton / Quantity inside Master carton.  
Orders to be placed mandatorily in multiples of quantity mentioned in **Bold**.


MOTOR STARTER & MINI TRIP MCB - MAGNESIUM GREY				
	ITEMCODE	DESCRIPTION	MODULE	CARTON QTY.*
	BW217GRY	25A Motor Starter	2M	6 / 72
	BW227GRY	25A SP Mini Trip MCB	1M	12 / 144

SUPPORT ACCESSORIES - MAGNESIUM GREY				
	ITEMCODE	DESCRIPTION	MODULE	CARTON QTY.*
	BW441GRY	Blank Plate	1M	40 / 600
	BW451GRY	TV Coaxial Socket	1M	25 / 375
	BW586GRY	2.1A 1 Port A Type USB Charger	1M	25 / 375
	BW589GRY	2.1A 1 Port C Type USB Charger	1M	25 / 375

COMMUNICATION ACCESSORIES - MAGNESIUM GREY				
	ITEMCODE	DESCRIPTION	MODULE	CARTON QTY.*
	BW492GRY	RJ11 2 Line with Shutter	1M	20 / 300
	BW493GRY	RJ45 CAT 6a	1M	25 / 375

HOSPITALITY ACCESSORIES - MAGNESIUM GREY				
	ITEMCODE	DESCRIPTION	MODULE	CARTON QTY.*
	BW414GRY	Two Way Switch with DND Mark	1M	30 / 450
	BW415GRY	One Way Switch with MMR Mark	1M	30 / 450
	BW903GRY	MML Indicator	1M	20 / 300
	BW416GRY	One Way Switch with MML Mark	1M	30 / 450
	BW507GRY	Bell Push with DND & MMR Indicator	2M	15 / 225
	BW527GRY	Energy Key Tag with Time Delay	2M	4 / 60
	BW529GRY	Shaver Socket	3M	2 / 30
	BW530GRY	LED Foot Lamp Cool White	2M	15 / 225
	BW531GRY	LED Foot Lamp Warm White	2M	15 / 225

FRONT PLATES - MAGNESIUM GREY				
	ITEMCODE	DESCRIPTION	MODULE	CARTON QTY.*
	BW101GRY	1 Module Front Plate	1M	18 / 270
	BW102GRY	2 Module Front Plate	2M	18 / 180
	BW103GRY	3 Module Front Plate	3M	12 / 180
	BW104GRY	4 Module Front Plate	4M	12 / 180
	BW106GRY	6 Module Front Plate	6M	8 / 112
	BW18HGRY	8 Module Horizontal Front Plate	8M (H)	6 / 90
	BW18VGRY	8 Module Square Front Plate	8M (S)	4 / 64
	BW109GRY	9 Module Front Plate	9M	6 / 90
	BW112GRY	12 Module Front Plate	12M	4 / 56
	BW116GRY	16 Module Front Plate	16M	4 / 48
	BW118GRY	18 Module Front Plate	18M	3 / 21

SWITCHES - JET BLACK				
	ITEMCODE	DESCRIPTION	MODULE	CARTON QTY.*
	BW501BLK	6AX One Way Switch	1M	30 / 450
	BW502BLK	6AX Two Way Switch	1M	30 / 450
	BW601BLK	6AX Two Way Switch	2M	15 / 225
	BW411BLK	16AX One Way Switch	1M	30 / 450
	BW413BLK	16AX One Way with Indicator	1M	20 / 300
	BW220BLK	25A SP One Way Switch with Indicator	1M	20 / 300
	BW224BLK	32A DP Switch with Indicator	2M	15 / 225
	BW505BLK	6A Bell Push Switch	1M	30 / 450
	BW504BLK	6A Bell Push Switch With Indicator	2M	15 / 225

\*Quantity inside Primary carton / Quantity inside Master carton.  
Orders to be placed mandatorily in multiples of quantity mentioned in **Bold**.

SOCKETS - JET BLACK				
	ITEMCODE	DESCRIPTION	MODULE	CARTON QTY.*
	BW421BLK	6A Round Pin Socket (ISI Marked)	2M	<b>20 / 300</b>
	BW424BLK	6/16A Socket (ISI Marked)	2M	<b>20 / 300</b>
	BW426BLK	International Socket For 6/10/13A	2M	<b>20 / 300</b>
	BW425BLK	25A Socket	2M	<b>20 / 300</b>
	BW428BLK	6/16A Raised Socket (ISI Marked)	2M	<b>20 / 300</b>

FAN REGULATOR, DIMMER & BUZZER - JET BLACK				
	ITEMCODE	DESCRIPTION	MODULE	CARTON QTY.*
	BW471BLK	100W Fan Step Controller (ISI Marked)	1M	<b>20 / 300</b>
	BW472BLK	120W Fan Step Controller (ISI Marked)	2M	<b>15 / 225</b>
	BW485BLK	Electronic Buzzer	2M	<b>15 / 225</b>

MOTOR STARTER & MINI TRIP MCB - JET BLACK				
	ITEMCODE	DESCRIPTION	MODULE	CARTON QTY.*
	BW217BLK	25A Motor Starter	2M	<b>6 / 72</b>
	BW227BLK	25A SP Mini Trip MCB	1M	<b>12 / 144</b>

SUPPORT ACCESSORIES - JET BLACK				
	ITEMCODE	DESCRIPTION	MODULE	CARTON QTY.*
	BW441BLK	Blank Plate	1M	<b>40 / 600</b>
	BW451BLK	TV Coaxial Socket	1M	<b>25 / 375</b>
	BW586BLK	2.1A 1 Port A Type USB Charger	1M	<b>25 / 375</b>
	BW589BLK	2.1A 1 Port C Type USB Charger	1M	<b>25 / 375</b>


COMMUNICATION ACCESSORIES - JET BLACK				
	ITEMCODE	DESCRIPTION	MODULE	CARTON QTY.*
	BW492BLK	RJ11 2 Line with Shutter	1M	<b>20 / 300</b>
	BW493BLK	RJ45 CAT 6a	1M	<b>25 / 375</b>

HOSPITALITY ACCESSORIES - JET BLACK				
	ITEMCODE	DESCRIPTION	MODULE	CARTON QTY.*
	BW414BLK	Two Way Switch with DND Mark	1M	<b>30 / 450</b>
	BW415BLK	One Way Switch with MMR Mark	1M	<b>30 / 450</b>
	BW903BLK	MML Indicator	1M	<b>20 / 300</b>
	BW416BLK	One Way Switch with MML Mark	1M	<b>30 / 450</b>
	BW507BLK	Bell Push with DND & MMR Indicator	2M	<b>15 / 225</b>
	BW527BLK	Energy Key Tag with Time Delay	2M	<b>4 / 60</b>
	BW529BLK	Shaver Socket	3M	<b>2 / 30</b>
	BW530BLK	LED Foot Lamp Cool White	2M	<b>15 / 225</b>
	BW531BLK	LED Foot Lamp Warm White	2M	<b>15 / 225</b>


FRONT PLATES - JET BLACK				
	ITEMCODE	DESCRIPTION	MODULE	CARTON QTY.*
	BW101BLK	1 Module Front Plate	1M	<b>18 / 270</b>
	BW102BLK	2 Module Front Plate	2M	<b>18 / 180</b>
	BW103BLK	3 Module Front Plate	3M	<b>12 / 180</b>
	BW104BLK	4 Module Front Plate	4M	<b>12 / 180</b>
	BW106BLK	6 Module Front Plate	6M	<b>8 / 112</b>
	BW18HBLK	8 Module Horizontal Front Plate	8M (H)	<b>6 / 90</b>
	BW18VBLK	8 Module Square Front Plate	8M (S)	<b>4 / 64</b>
	BW109BLK	9 Module Front Plate	9M	<b>6 / 90</b>
	BW112BLK	12 Module Front Plate	12M	<b>4 / 56</b>
	BW116BLK	16 Module Front Plate	16M	<b>4 / 48</b>
	BW118BLK	18 Module Front Plate	18M	<b>3 / 21</b>

\*Quantity inside Primary carton / Quantity inside Master carton.  
Orders to be placed mandatorily in multiples of quantity mentioned in **Bold**.


### FRONT PLATES - STERLING SILVER

	ITEMCODE	DESCRIPTION	MODULE	CARTON QTY.*
 BW103SLV	BW101SLV	1 Module Front Plate	1M	<b>18</b> / 270
	BW102SLV	2 Module Front Plate	2M	<b>18</b> / 180
	BW103SLV	3 Module Front Plate	3M	<b>12</b> / 180
	BW104SLV	4 Module Front Plate	4M	<b>12</b> / 180
	BW106SLV	6 Module Front Plate	6M	<b>8</b> / 112
	BW18HSLV	8 Module Horizontal Front Plate	8M (H)	<b>6</b> / 90
	BW18VSLV	8 Module Square Front Plate	8M (S)	<b>4</b> / 64
	BW109SLV	9 Module Front Plate	9M	<b>6</b> / 90
	BW112SLV	12 Module Front Plate	12M	<b>4</b> / 56
	BW116SLV	16 Module Front Plate	16M	<b>4</b> / 48
	BW118SLV	18 Module Front Plate	18M	<b>3</b> / 21

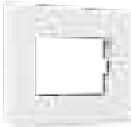
### FRONT PLATES - RED OAK WOOD

	ITEMCODE	DESCRIPTION	MODULE	CARTON QTY.*
 BW103WDD	BW101WDD	1 Module Front Plate	1M	<b>18</b> / 270
	BW102WDD	2 Module Front Plate	2M	<b>18</b> / 180
	BW103WDD	3 Module Front Plate	3M	<b>12</b> / 180
	BW104WDD	4 Module Front Plate	4M	<b>12</b> / 180
	BW106WDD	6 Module Front Plate	6M	<b>8</b> / 112
	BW18HWDD	8 Module Horizontal Front Plate	8M (H)	<b>6</b> / 90
	BW18VWDD	8 Module Square Front Plate	8M (S)	<b>4</b> / 64
	BW109WDD	9 Module Front Plate	9M	<b>6</b> / 90
	BW112WDD	12 Module Front Plate	12M	<b>4</b> / 56
	BW116WDD	16 Module Front Plate	16M	<b>4</b> / 48
	BW118WDD	18 Module Front Plate	18M	<b>3</b> / 21

### FRONT PLATES - CHAMPAGNE GOLD

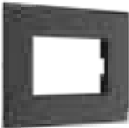
	ITEMCODE	DESCRIPTION	MODULE	CARTON QTY.*
 BW103GLD	BW101GLD	1 Module Front Plate	1M	<b>18</b> / 270
	BW102GLD	2 Module Front Plate	2M	<b>18</b> / 180
	BW103GLD	3 Module Front Plate	3M	<b>12</b> / 180
	BW104GLD	4 Module Front Plate	4M	<b>12</b> / 180
	BW106GLD	6 Module Front Plate	6M	<b>8</b> / 112
	BW18HGLD	8 Module Horizontal Front Plate	8M (H)	<b>6</b> / 90
	BW18VGLD	8 Module Square Front Plate	8M (S)	<b>4</b> / 64
	BW109GLD	9 Module Front Plate	9M	<b>6</b> / 90
	BW112GLD	12 Module Front Plate	12M	<b>4</b> / 56
	BW116GLD	16 Module Front Plate	16M	<b>4</b> / 48
	BW118GLD	18 Module Front Plate	18M	<b>3</b> / 21

### FRONT PLATES - GLASS ICE WHITE

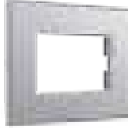
	ITEMCODE	DESCRIPTION	MODULE	CARTON QTY.*
 BW103GIW	BW101GIW	1 Module Front Plate	1M	<b>5</b> / 70
	BW102GIW	2 Module Front Plate	2M	<b>5</b> / 70
	BW103GIW	3 Module Front Plate	3M	<b>5</b> / 70
	BW104GIW	4 Module Front Plate	4M	<b>5</b> / 70
	BW106GIW	6 Module Front Plate	6M	<b>5</b> / 50
	BW18HGIW	8 Module Horizontal Front Plate	8M (H)	<b>2</b> / 40
	BW18VGIW	8 Module Square Front Plate	8M (S)	<b>2</b> / 40
	BW112GIW	12 Module Front Plate	12M	<b>2</b> / 24

\*Quantity inside Primary carton / Quantity inside Master carton.  
Orders to be placed mandatorily in multiples of quantity mentioned in **Bold**.

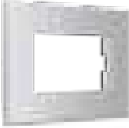
### FRONT PLATES - GLASS POLISHED ONYX

	ITEMCODE	DESCRIPTION	MODULE	CARTON QTY.*
 BW103GPO	BW101GPO	1 Module Front Plate	1M	5 / 70
	BW102GPO	2 Module Front Plate	2M	5 / 70
	BW103GPO	3 Module Front Plate	3M	5 / 70
	BW104GPO	4 Module Front Plate	4M	5 / 70
	BW106GPO	6 Module Front Plate	6M	5 / 50
	BW18HGPO	8 Module Horizontal Front Plate	8M (H)	2 / 40
	BW18VGPO	8 Module Square Front Plate	8M (S)	2 / 40
	BW112GPO	12 Module Front Plate	12M	2 / 24

### FRONT PLATES - NATURAL ALUMINIUM

	ITEMCODE	DESCRIPTION	MODULE	CARTON QTY.*
 BW103NAL	BW101NAL	1 Module Front Plate	1M	5 / 70
	BW102NAL	2 Module Front Plate	2M	5 / 70
	BW103NAL	3 Module Front Plate	3M	5 / 70
	BW104NAL	4 Module Front Plate	4M	5 / 70
	BW106NAL	6 Module Front Plate	6M	5 / 50
	BW18HNAL	8 Module Horizontal Front Plate	8M (H)	2 / 40
	BW18VNAL	8 Module Square Front Plate	8M (S)	2 / 40
	BW112NAL	12 Module Front Plate	12M	2 / 24

### FRONT PLATES - GLASS SILVER

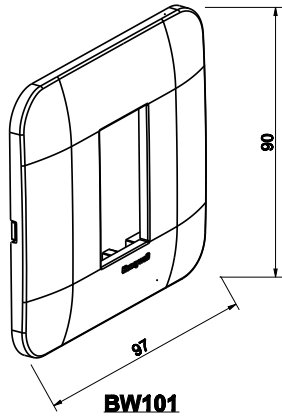
	ITEMCODE	DESCRIPTION	MODULE	CARTON QTY.*
 BW103GSL	BW101GSL	1 Module Front Plate	1M	5 / 70
	BW102GSL	2 Module Front Plate	2M	5 / 70
	BW103GSL	3 Module Front Plate	3M	5 / 70
	BW104GSL	4 Module Front Plate	4M	5 / 70
	BW106GSL	6 Module Front Plate	6M	5 / 50
	BW18HGSL	8 Module Horizontal Front Plate	8M (H)	2 / 40
	BW18VGSL	8 Module Square Front Plate	8M (S)	2 / 40
	BW112GSL	12 Module Front Plate	12M	2 / 24



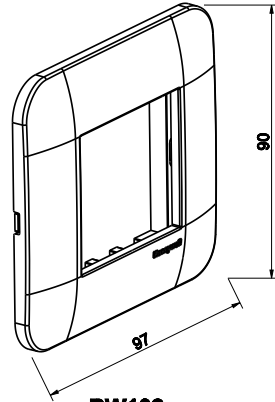
\*Quantity inside Primary carton / Quantity inside Master carton.  
Orders to be placed mandatorily in multiples of quantity mentioned in **Bold**.

# DIMENSION FRONT PLATES

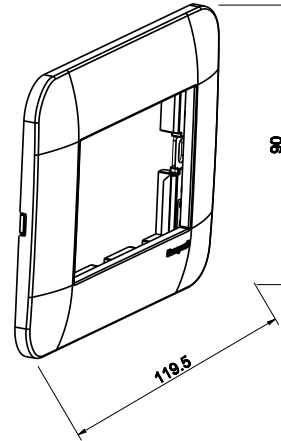
Polycarbonate Plates



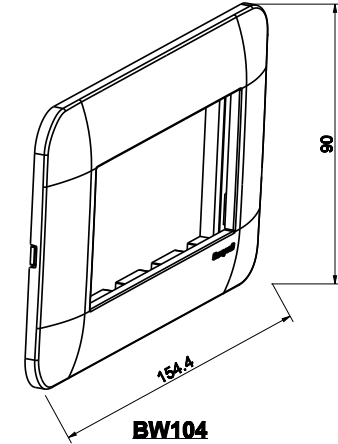
**BW101**



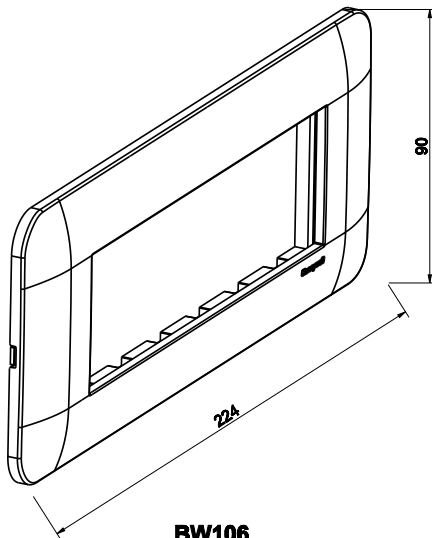
**BW102**



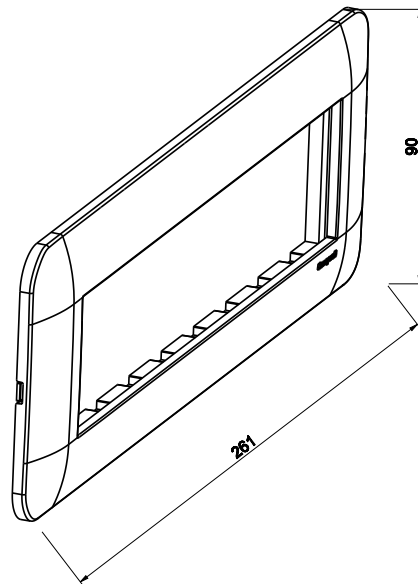
**BW103**



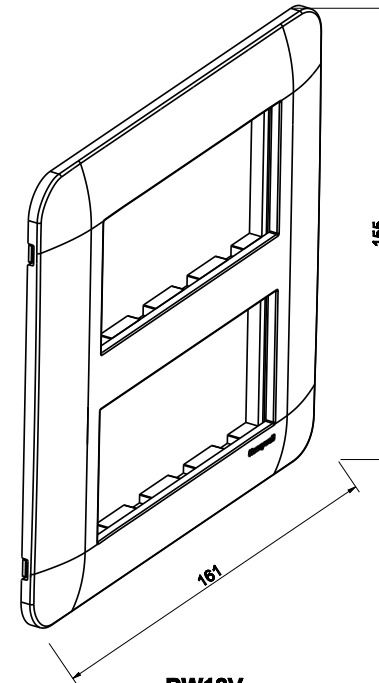
**BW104**



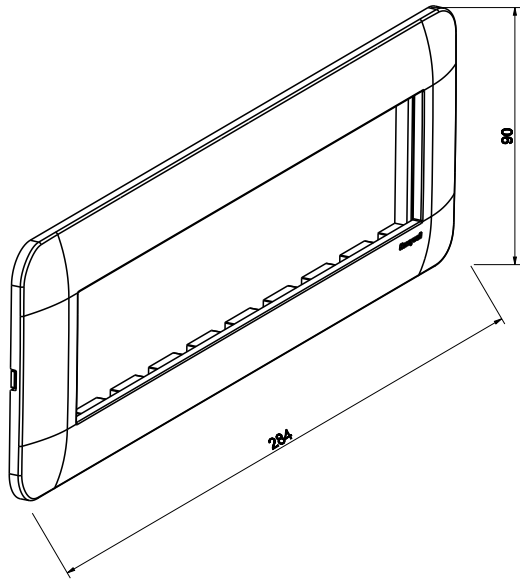
**BW106**



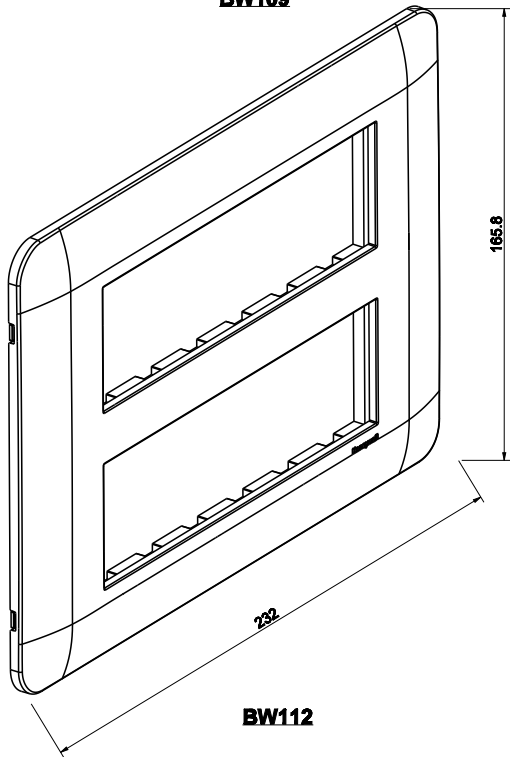
**BW18H**



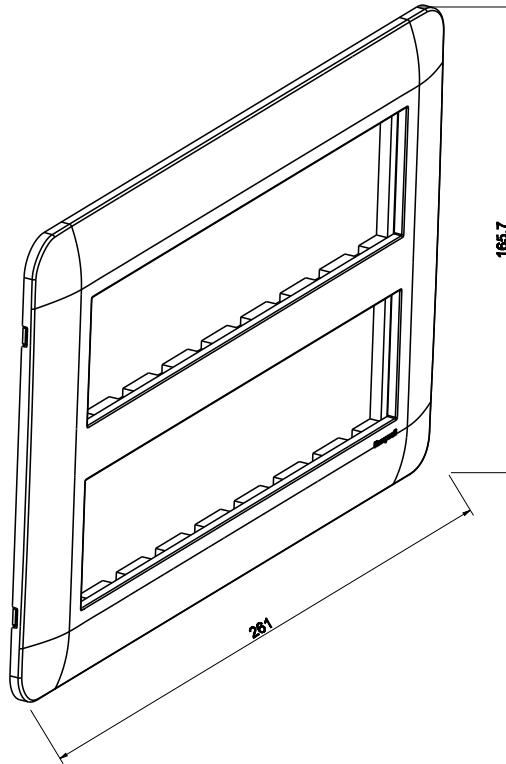
**BW18V**



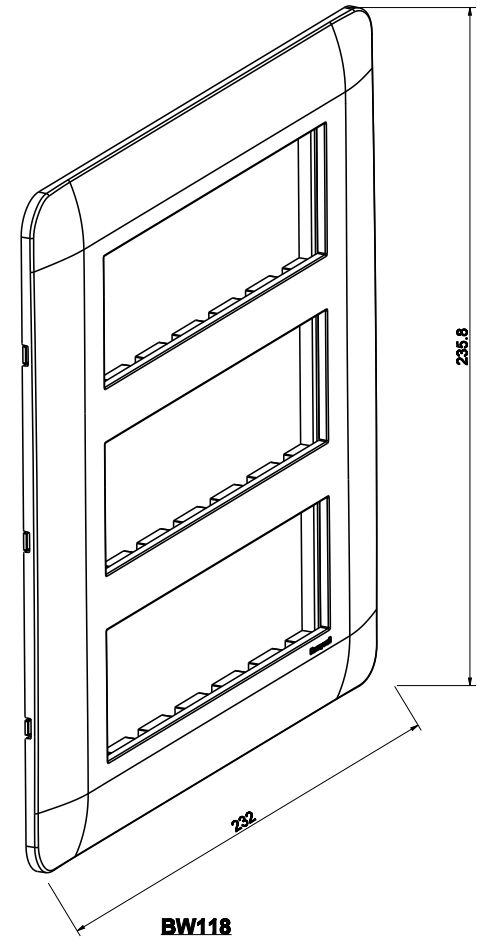
**BW109**



**BW112**

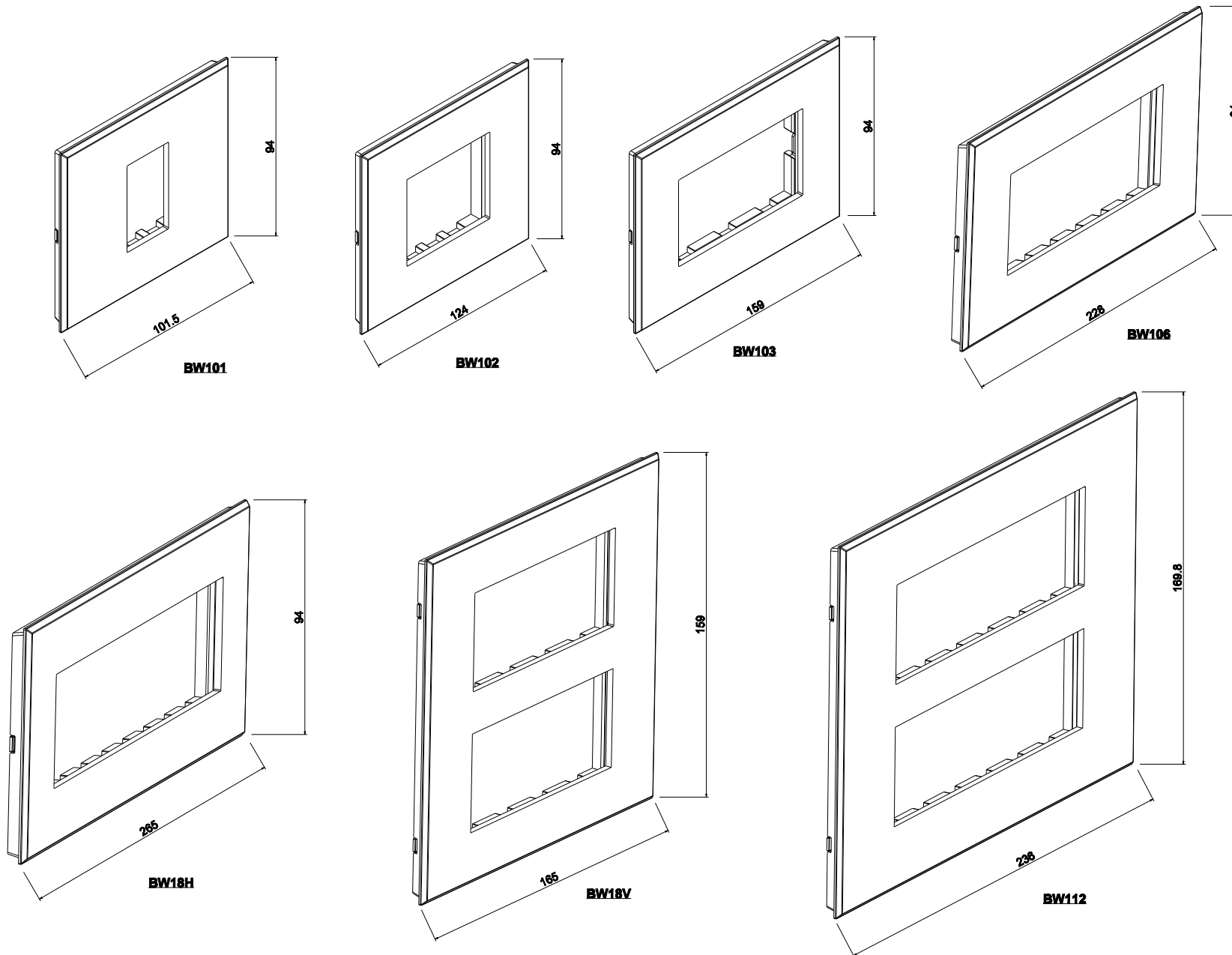


**BW116**



**BW118**

# Decorative Plates









**BARODA**

Ground Floor, 1965,  
Alembic City Avenue,  
Alembic Campus, Alembic Road,  
Vadodara - 390 003

**BENGALURU**

Honeywell Camp II,  
Bldgs 9A & 9B, Plot C2, RMZ Ecoworld,  
Varturhobli, Sarjapur Marathahalli,  
Outer Ring Road,  
Bengaluru - 560 103

**CHENNAI**

5<sup>th</sup>, 6<sup>th</sup> & 7<sup>th</sup> Floor,  
KRM Plaza, North Tower,  
#2 Harrington Road, Chetpet,  
Chennai - 600 031

**GURUGRAM**

Unitech Trade Center,  
Sector 43, Block C,  
Sushant Lok, Phase 1,  
Gurgaon - 122 022

**HYDERABAD**

8-2-418, Krishnama House,  
3<sup>rd</sup> Floor, Road No. 7,  
Banjara Hills,  
Hyderabad - 500 034

**KOLKATA**

Unit Number-1205, 12<sup>th</sup> Floor,  
Godrej Waterside Tower-2,  
DP Block, Sector-V, Salt Lake,  
Kolkata - 700 091

**MUMBAI**

WeWork Chromium,  
6<sup>th</sup> floor. Milind Nagar,  
Opp. L&T Flyover,  
JVLR, Powai,  
Mumbai - 400 076

**PUNE**

Plot No. 56/57,  
Hadapsar Industrial Estate,  
Pune - 411 013

**FOR FURTHER DETAILS,  
PLEASE REACH US AT :**

Toll Free Number: 1800-103-3848

Monday to Sunday: 10AM - 7PM

Whatsapp: +91 81306-91299

Email: eesteamindia@honeywell.com

Website: [www.honeywellbuildings.in/electrical-products](http://www.honeywellbuildings.in/electrical-products)

Blenze Pro | 01 | 02/23

© 2023 Honeywell International Inc.

**THE  
FUTURE  
IS  
WHAT  
WE  
MAKE IT**

**Honeywell**