



ORNA
CRAFTED FOR ATTENTION



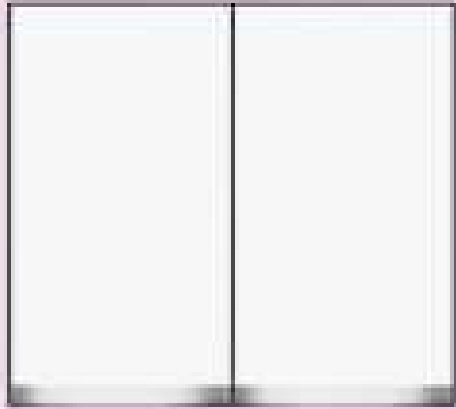
Honeywell



**PREMIUM FLAT
SWITCHES FOR THE
ARTIST IN YOU.
FOR THOSE WHO
DARE TO GO BEYOND
THE ORDINARY. FOR
THOSE WHO CRAVE
UNIQUENESS ABOVE
ALL THINGS ELSE.**

**YOU DON'T HAVE TO BE LOUD
TO STAND OUT.** UNIQUE DOES
NOT SHOUT IN YOUR FACE.
TRUE MAGIC LIES IN SUBTLETY.
IN WINNING ADMIRATION OUT
OF FLEETING GLANCES. IN
MAKING A STATEMENT WITHOUT
A SINGLE WORD. PREMIUM
CRAVES NO ATTENTION. **IT
SIMPLY WAITS FOR THE
ARTFUL EYE TO FIND IT AND
TREASURE IT.** AND THERE LIES
ITS RAISON D'ÊTRE.





Hanggre

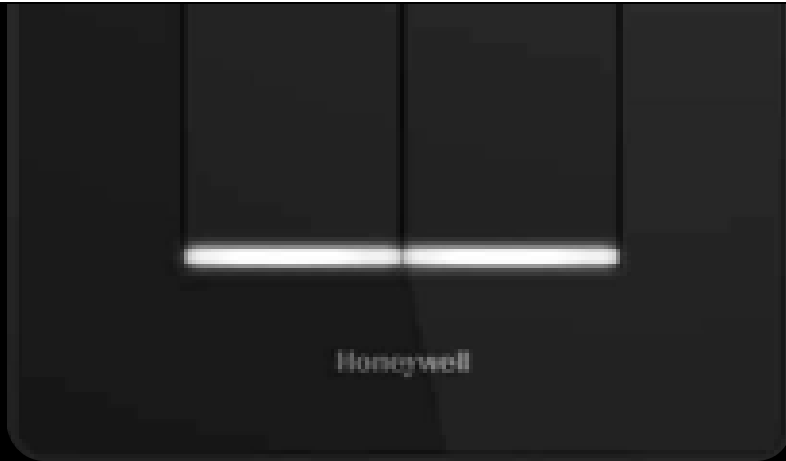
ORNA IS A RANGE OF SWITCHES THAT BOASTS OF PREMIUM MODULAR WIRING DEVICES. **THE FLAT ELECTRO MECHANICAL MODULAR SWITCHES** ARE CUSTOM-MADE TO PAIR UP SEAMLESSLY WITH THE INTERIORS OF YOUR HOME. NURTURE TRADITIONAL TOUCH WITH **CHOICE OF REGULAR NON-FLAT SWITCH.**



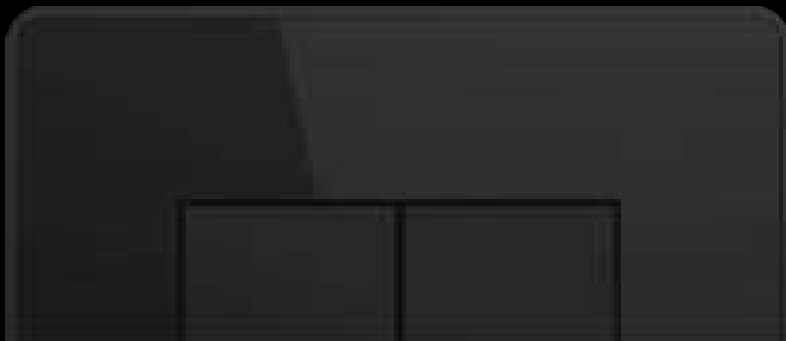


THE THOUGHT OF UPGRADING **SWITCHES TO BE STYLISED YET MINIMAL** CULMINATED INTO THE FORMATION OF ORNA. THIS RANGE, THUS, COMES WITH THE **PATENTED 'PUSH TO ON, PUSH TO OFF' MECHANISM** TO ENSURE SMOOTH OPERATION OF THE SWITCHES.





ORNA IS THE PERFECT BLEND OF AESTHETICALLY AWARE AND ENERGY CONSCIOUS SWITCHES. THEY COME WITH A PATENTED **PRISTINE WHITE LED INDICATOR STREAK** TO DEMONSTRATE THE STATUS OF THE SWITCH – POWERED ON OR OFF.

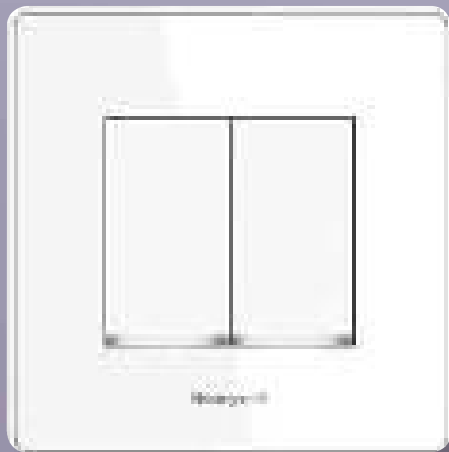
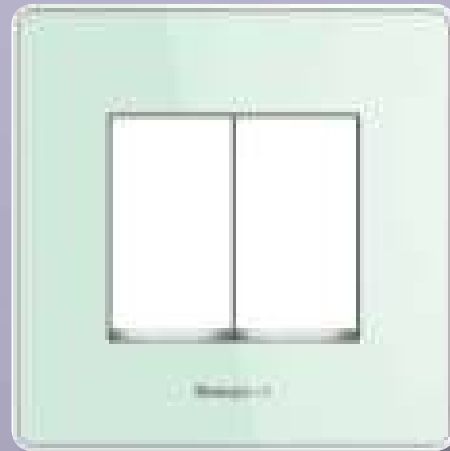






TO GLAM UP YOUR WALLS AND FURNISH THEM WITH AN UNFORGETTABLE Demeanour, ORNA SWITCHES COME WITH MIRROR-FINISH FRONT PLATES. **SCRATCH-RESISTANT GLASS PLATES** HAVE BEEN USED SPECIFICALLY TO UPHOLD THE FINESSE FOR THE LONG TERM.





THE COLOR ON YOUR WALL STIMULATES YOUR MOOD AND DÉCOR. ORNA PROVIDES AN ARRAY OF **COLOR IN FRONT PLATES** THAT IS PERFECTLY FUSED WITH INTERIORS OF YOUR WALL TO ENHANCE ITS OUTLOOK AND STAND APART.



ABOUT NUCLEUS



Nucleus is the core of everything, be it ours or the universe. It is the most important element that helps transform our eco system. In human beings, it contains genetic material that is responsible for controlling and directing trillions of cells that our body is made of.

Similar in nature if not the scale, is how complicated our homes can be, especially with our given busy schedules. Now imagine, would it not be ideal to have something that's at the core of your home. Something that helps transform your home the way you want. Something that lets your home be a reflection of your DNA. And something that's responsible for controlling everything that goes inside your home.

That's Honeywell Nucleus. Experience Smart Living.



FINISH: SYNTHETIC CHALK WHITE

REGULAR SWITCHES - SYNTHETIC CHALK WHITE

ItemCode	Description	Module	Carton Qty.*
OW701SCW	10AX One Way Switch	1M	20 / 360
OW702SCW	10AX Two Way Switch	1M	20 / 360
OW711SCW	20A One Way Switch (ISI Marked)	1M	20 / 360
OW705SCW	10A Two Way Bell Push Switch	1M	20 / 360
OW704SCW	10A Two Way Bell Push Switch Wide Rocker	2M	20 / 120
OW720SCW	20A DP One Way Switch	1M	20 / 360

SOCKETS - SYNTHETIC CHALK WHITE

ItemCode	Description	Module	Carton Qty.*
OW421SCW	6A Round Pin Socket (ISI Marked)	2M	15 / 270
OW421SCW	OW424SCW 6/16A Socket (ISI Marked)	2M	15 / 270

FAN REGULATOR - SYNTHETIC CHALK WHITE

ItemCode	Description	Module	Carton Qty.*
OW472SCW	120W Fan Step Controller	2M	8 / 144

MINI TRIP MCB & MOTOR STARTER- SYNTHETIC CHALK WHITE

ItemCode	Description	Module	Carton Qty.*
OW227SCW	25A SP Mini Trip MCB	1M	10 / 180
OW217SCW	25A Motor Starter	2M	12 / 216

COMMUNICATION ACCESSORIES - SYNTHETIC CHALK WHITE

ItemCode	Description	Module	Carton Qty.*
OW493SCW	OW493SCW RJ45 CAT 6A	1M	20 / 360
OW492SCW	OW492SCW RJ11 2 Line with Shutter	1M	30 / 540
OW494SCW	OW494SCW RJ11 Twin Telephone Jack	1M	20 / 360

SUPPORT ACCESSORIES - SYNTHETIC CHALK WHITE




ItemCode	Description	Module	Carton Qty.*
OW441SCW	OW441SCW Blank Plate	1M	20 / 360
OW451SCW	OW451SCW TV Coaxial Socket	1M	30 / 540
OW586SCW	OW586SCW 2.1A 1 Port USB Charger	1M	15 / 270
OW587SCW	OW587SCW 2.4A 2 Port USB Charger	2M	10 / 180

HOSPITALITY ACCESSORIES - SYNTHETIC CHALK WHITE




ItemCode	Description	Module	Carton Qty.*
OW901SCW	OW901SCW DND Indicator	1M	20 / 360
OW414SCW	OW414SCW Two Way Switch with DND Mark	1M	20 / 360
OW902SCW	OW902SCW MMR Indicator	1M	20 / 360
OW415SCW	OW415SCW One Way Switch with MMR Mark	1M	15 / 270
OW903SCW	OW903SCW MML Indicator	1M	20 / 360
OW416SCW	OW416SCW One Way Switch with MML Mark	1M	15 / 270
OW529SCW	OW529SCW Shaver Socket	4M	2 / 36
OW527SCW	OW527SCW Energy Key Tag with Time Delay	2M	4 / 60
OW530SCW	OW530SCW LED Foot Lamp	2M	10 / 180

FINISH: SYNTHETIC CHALK WHITE

FRONT PLATES - SYNTHETIC CHALK WHITE



	ItemCode	Description	Module	Carton Qty.*
 OW101SCW	OW101SCW	1 Module Front Plate - SCW	1M	10 / 140
	OW102SCW	2 Module Front Plate - SCW	2M	10 / 140
	OW103SCW	3 Module Front Plate - SCW	3M	10 / 140
 OW102SCW	OW104SCW	4 Module Front Plate - SCW	4M	10 / 140
	OW106SCW	6 Module Front Plate - SCW	6M	10 / 140
 OW112SCW	OW18HSCW	8 Module Horizontal Front Plate - SCW	8M (H)	5 / 70
	OW18VSCW	8 Module Square Front Plate - SCW	8M (S)	5 / 80
	OW112SCW	12 Module Front Plate - SCW	12M	5 / 50

FRONT PLATES - GLASS ICE WHITE

	ItemCode	Description	Module	Carton Qty.*
 OW101GIW	OW101GIW	1 Module Front Plate - GIW	1M	5 / 70
	OW102GIW	2 Module Front Plate - GIW	2M	5 / 70
	OW103GIW	3 Module Front Plate - GIW	3M	5 / 70
 OW103GIW	OW104GIW	4 Module Front Plate - GIW	4M	5 / 70
	OW106GIW	6 Module Front Plate - GIW	6M	5 / 50
 OW112GIW	OW18HGIW	8 Module Horizontal Front Plate - GIW	8M (H)	2 / 40
	OW18VGIW	8 Module Square Front Plate - GIW	8M (S)	2 / 36
	OW112GIW	12 Module Front Plate - GIW	12M	2 / 24

FINISH: SYNTHETIC BLACK

FLAT SWITCHES - SYNTHETIC BLACK

	ItemCode	Description	Module	Carton Qty.*
 OW502BLK	OW501BLK	6AX One Way Switch with Indicator	1M	15 / 270
	OW502BLK	6AX Two Way Switch with Indicator	1M	15 / 270
	OW411BLK	16AX One Way Switch with Indicator	1M	15 / 270
	OW412BLK	16AX Two Way Switch with Indicator	1M	15 / 270
 OW224BLK	OW224BLK	32A DP Switch with Indicator	2M	15 / 270
	OW504BLK	6A Bell Push Switch with Indicator	2M	10 / 180
	OW506BLK	6A Bell Push Switch With Indicator	1M	20 / 360


REGULAR SWITCHES - SYNTHETIC BLACK

	ItemCode	Description	Module	Carton Qty.*
	OW701BLK	10AX One Way Switch	1M	20 / 360
	OW702BLK	10AX Two Way Switch	1M	20 / 360
	OW711BLK	20A One Way Switch (ISI Marked)	1M	20 / 360
	OW705BLK	10A Two Way Bell Push Switch	1M	20 / 360

SOCKETS - SYNTHETIC BLACK


	ItemCode	Description	Module	Carton Qty.*
 OW424BLK	OW421BLK	6A Round Pin Socket (ISI Marked)	2M	15 / 270
	OW424BLK	6/16A Socket (ISI Marked)	2M	15 / 270

FAN REGULATOR - SYNTHETIC BLACK


	ItemCode	Description	Module	Carton Qty.*
 OW472BLK	OW472BLK	120W Fan Step Controller	2M	8 / 144

FINISH: SYNTHETIC BLACK


MINI TRIP MCB & MOTOR STARTER- SYNTHETIC BLACK

	ItemCode	Description	Module	Carton Qty.*
 OW227BLK	OW227BLK	25A SP Mini Trip MCB	1M	10 / 180
	OW217BLK	25A Motor Starter	2M	12 / 216


COMMUNICATION ACCESSORIES - SYNTHETIC BLACK

	ItemCode	Description	Module	Carton Qty.*
 OW492BLK	OW493BLK	RJ45 CAT 6A	1M	20 / 360
	OW492BLK	RJ11 2 Line with Shutter	1M	30 / 540



SUPPORT ACCESSORIES - SYNTHETIC BLACK

	ItemCode	Description	Module	Carton Qty.*
 OW451BLK	OW441BLK	Blank Plate	1M	20 / 360
	OW451BLK	TV Coaxial Socket	1M	30 / 540
	OW586BLK	2.1A 1 Port USB Charger	1M	15 / 270
	OW587BLK	2.4A 2 Port USB Charger	2M	10 / 180




HOSPITALITY ACCESSORIES - SYNTHETIC BLACK

	ItemCode	Description	Module	Carton Qty.*
 OW415BLK	OW901BLK	DND Indicator	1M	20 / 360
	OW414BLK	Two Way Switch with DND Mark	1M	20 / 360
	OW902BLK	MMR Indicator	1M	20 / 360
	OW415BLK	One Way Switch with MMR Mark	1M	15 / 270
	OW903BLK	MML Indicator	1M	20 / 360
	OW416BLK	One Way Switch with MML Mark	1M	15 / 270
	OW529BLK	Shaver Socket	4M	2 / 36
	OW527BLK	Energy Key Tag with Time Delay	2M	4 / 60
	OW530BLK	LED Foot Lamp	2M	10 / 180



FRONT PLATES - SYNTHETIC BLACK

	ItemCode	Description	Module	Carton Qty.*
 OW103BLK  OW18HBLK	OW101BLK	1 Module Front Plate Synthetic Black	1M	10 / 140
	OW102BLK	2 Module Front Plate Synthetic Black	2M	10 / 140
	OW103BLK	3 Module Front Plate Synthetic Black	3M	10 / 140
	OW104BLK	4 Module Front Plate Synthetic Black	4M	10 / 140
	OW106BLK	6 Module Front Plate Synthetic Black	6M	10 / 140
	OW18HBLK	8 Module Horizontal Front Plate Synthetic Black	8M (H)	5 / 70
	OW18VBLK	8 Module Square Front Plate Synthetic Black	8M (S)	5 / 80
	OW112BLK	12 Module Front Plate Synthetic Black	12M	5 / 50

FRONT PLATES - GLASS POLISHED ONYX

	ItemCode	Description	Module	Carton Qty.*
 OW101GPO  OW112GPO  OW18VGPO	OW101GPO	1 Module Front Plate - GPO	1M	5 / 70
	OW102GPO	2 Module Front Plate - GPO	2M	5 / 70
	OW103GPO	3 Module Front Plate - GPO	3M	5 / 70
	OW104GPO	4 Module Front Plate - GPO	4M	5 / 70
	OW106GPO	6 Module Front Plate - GPO	6M	5 / 50
	OW18HGPO	8 Module Horizontal Front Plate - GPO	8M (H)	2 / 40
	OW18VGPO	8 Module Square Front Plate - GPO	8M (S)	2 / 36
	OW112GPO	12 Module Front Plate - GPO	12M	2 / 24

FRONT PLATES - METALLIC BRUSHED BRONZE#

	ItemCode	Description	Module	Carton Qty.*
 OW101MBB  OW103MBB	OW101MBB	1 Module Front Plate - MBB	1M	5 / 70
	OW102MBB	2 Module Front Plate - MBB	2M	5 / 70
	OW103MBB	3 Module Front Plate - MBB	3M	5 / 70
	OW104MBB	4 Module Front Plate - MBB	4M	5 / 70
	OW106MBB	6 Module Front Plate - MBB	6M	5 / 50
	OW18HMBB	8 Module Horizontal Front Plate - MBB	8M (H)	2 / 40
	OW18VMBB	8 Module Square Front Plate - MBB	8M (S)	2 / 36
	OW112MBB	12 Module Front Plate - MBB	12M	2 / 24

#Plate is with Metallic Brushed Bronze Finish, Material of Plate is Non-Metallic.

FINISH: MAGNESIUM GREY

FLAT SWITCHES - MAGNESIUM GREY

ItemCode	Description	Module	Carton Qty.*
OW501GRY	6A One Way Switch with Indicator	1M	15 / 270
OW502GRY	6A Two Way Switch with Indicator	1M	15 / 270
OW411GRY	16A One Way Switch with Indicator	1M	15 / 270
OW412GRY	16A Two Way Switch with Indicator	1M	15 / 270
OW224GRY	32A DP Switch with Indicator	2M	15 / 270
OW504GRY	6A Bell Push Switch with Indicator	2M	10 / 180
OW506GRY	6A Bell Push Switch With Indicator	1M	20 / 360

REGULAR SWITCHES- MAGNESIUM GREY

ItemCode	Description	Module	Carton Qty.*
OW701GRY	10AX One Way Switch	1M	20 / 360
OW702GRY	10AX Two Way Switch	1M	20 / 360
OW711GRY	20A One Way Switch (ISI Marked)	1M	20 / 360
OW705GRY	10A Two Way Bell Push Switch	1M	20 / 360

SOCKETS- MAGNESIUM GREY

ItemCode	Description	Module	Carton Qty.*
OW421GRY	6A Round Pin Socket (ISI Marked)	2M	15 / 270
OW424GRY	10/16A Socket (ISI Marked)	2M	15 / 270

FAN REGULATOR- MAGNESIUM GREY

ItemCode	Description	Module	Carton Qty.*
OW472GRY	120W Fan Step Controller	2M	8 / 144

MINI TRIP MCB & MOTOR STARTER- MAGNESIUM GREY

ItemCode	Description	Module	Carton Qty.*
OW227GRY	25A SP Mini Trip MCB	1M	10 / 180
OW217GRY	25A Motor Starter	2M	12 / 216

COMMUNICATIONS ACCESSORIES- MAGNESIUM GREY

ItemCode	Description	Module	Carton Qty.*
OW493GRY	RJ45 CAT 6	1M	20 / 360
OW492GRY	RJ11 2 Line with Shutter	1M	30 / 540

SUPPORT ACCESSORIES - MAGNESIUM GREY

ItemCode	Description	Module	Carton Qty.*
OW441GRY	Blank Plate	1M	20 / 360
OW451GRY	TV Coaxial Socket	1M	30 / 540
OW586GRY	2.1A 1Port USB Charger	1M	15 / 270
OW587GRY	2.4A 2Port USB Charger	2M	10 / 180

HOSPITALITY ACCESSORIES - MAGNESIUM GREY

ItemCode	Description	Module	Carton Qty.*
OW901GRY	DND Indicator	1M	20 / 360
OW414GRY	Two Way Switch with DND Mark	1M	20 / 360
OW902GRY	MMR Indicator	1M	20 / 360
OW415GRY	One Way Switch with MMR Mark	1M	15 / 270
OW903GRY	MML Indicator	1M	20 / 360
OW416GRY	One Way Switch with MML Mark	1M	15 / 270
OW529GRY	Shaver Socket	4M	2 / 36
OW527GRY	Energy Key Tag with Time Delay	2M	1 / 8
OW530GRY	LED Foot Lamp	2M	10 / 180

FRONT PLATES- MAGNESIUM GREY

ItemCode	Description	Module	Carton Qty.*
OW101GRY	1 Module Front Plate - GRY	1M	10 / 140
OW102GRY	2 Module Front Plate - GRY	2M	10 / 140
OW103GRY	3 Module Front Plate - GRY	3M	10 / 140
OW104GRY	4 Module Front Plate - GRY	4M	10 / 140
OW106GRY	6 Module Front Plate - GRY	6M	10 / 140
OW18HGRY	8 Module Horizontal Front Plate - GRY	8M	5 / 70
OW18VGRY	8 Module Square Front Plate - GRY	8M	5 / 80
OW112GRY	12 Module Front Plate - GRY	12M	5 / 50

FRONT PLATES - GLASS DELIGHT PINK

ItemCode	Description	Module	Carton Qty.*
OW101GDP	1 Module Front Plate - GDP	1M	5 / 70
OW102GDP	2 Module Front Plate - GDP	2M	5 / 70
OW103GDP	3 Module Front Plate - GDP	3M	5 / 70
OW104GDP	4 Module Front Plate - GDP	4M	5 / 70
OW106GDP	6 Module Front Plate - GDP	6M	5 / 50
OW18HGDP	8 Module Horizontal Front Plate - GDP	8M (H)	2 / 40
OW18VGDP	8 Module Square Front Plate - GDP	8M (S)	2 / 36
OW112GDP	12 Module Front Plate - GDP	12M	2 / 24

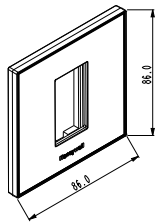
FRONT PLATES - GLASS HAZE GREEN

ItemCode	Description	Module	Carton Qty.*
OW101GHG	1 Module Front Plate - GHG	1M	5 / 70
OW102GHG	2 Module Front Plate - GHG	2M	5 / 70
OW103GHG	3 Module Front Plate - GHG	3M	5 / 70
OW104GHG	4 Module Front Plate - GHG	4M	5 / 70
OW106GHG	6 Module Front Plate - GHG	6M	5 / 50
OW18HGHG	8 Module Horizontal Front Plate - GHG	8M (H)	2 / 40
OW18VGHG	8 Module Square Front Plate - GHG	8M (S)	2 / 36
OW112GHG	12 Module Front Plate - GHG	12M	2 / 24

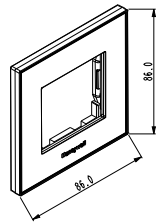
FRONT PLATES - GLASS MYSTIC BLUE

ItemCode	Description	Module	Carton Qty.*
OW101GMB	1 Module Front Plate - GMB	1M	5 / 70
OW102GMB	2 Module Front Plate - GMB	2M	5 / 70
OW103GMB	3 Module Front Plate - GMB	3M	5 / 70
OW104GMB	4 Module Front Plate - GMB	4M	5 / 70
OW106GMB	6 Module Front Plate - GMB	6M	5 / 50
OW18HGMB	8 Module Horizontal Front Plate - GMB	8M (H)	2 / 40
OW18VGMB	8 Module Square Front Plate - GMB	8M (S)	2 / 36
OW112GMB	12 Module Front Plate - GMB	12M	2 / 24

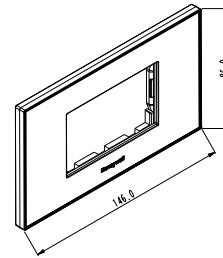
FRONT PLATES - SYNTHETIC DIMENSIONS



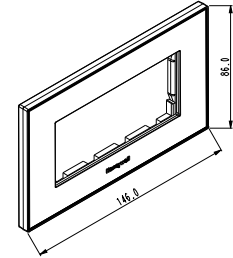
1M



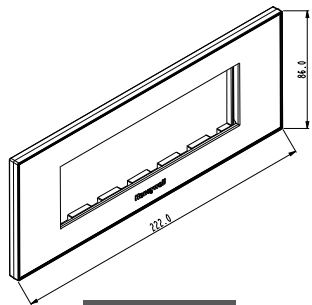
2M



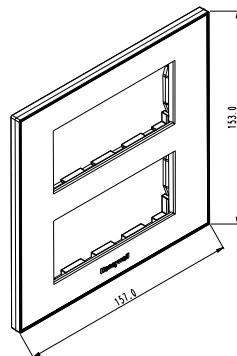
3M



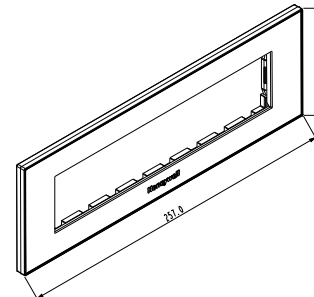
4M



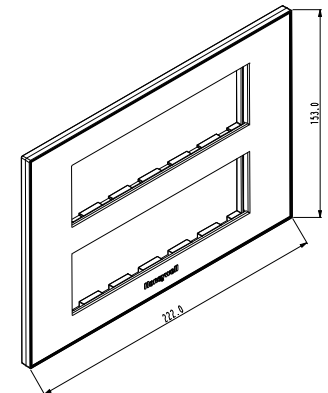
6M



8M (V)



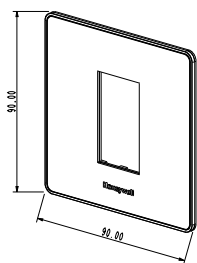
8M (H)



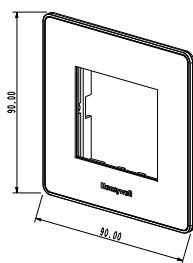
12M

All dimensions are in mm.

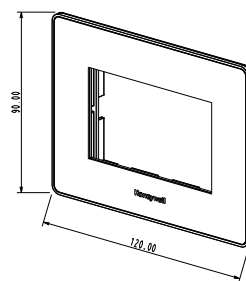
FRONT PLATES - GLASS DIMENSIONS



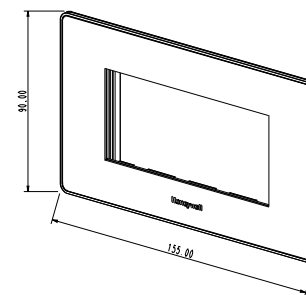
1M



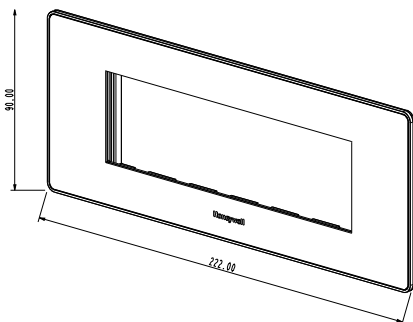
2M



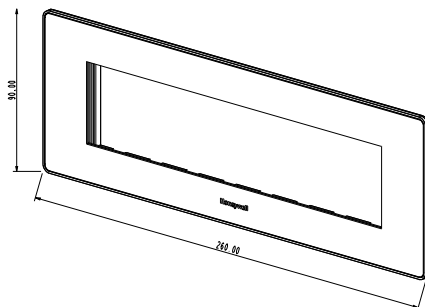
3M



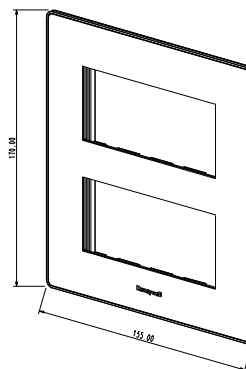
4M



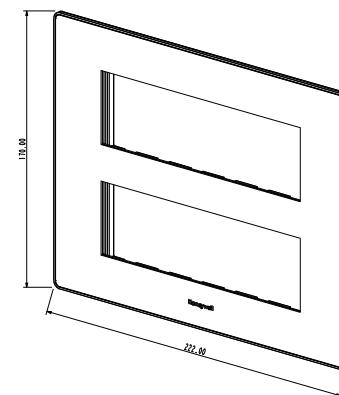
6M



8M (V)



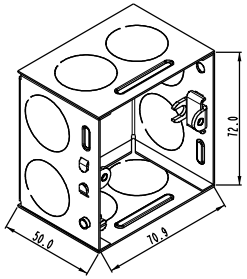
8M (H)



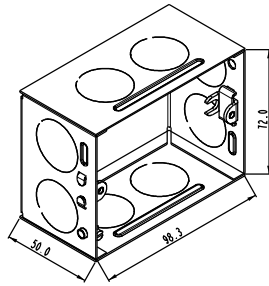
12M

All dimensions are in mm.

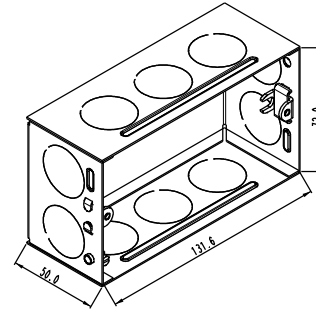
METAL BOXES DIMENSIONS



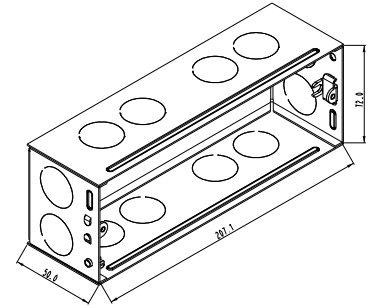
1M & 2M



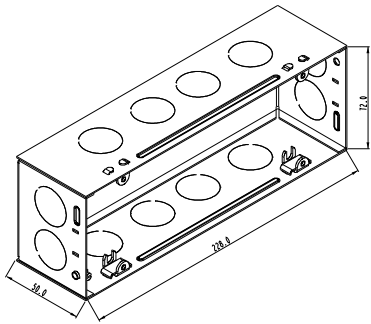
3M



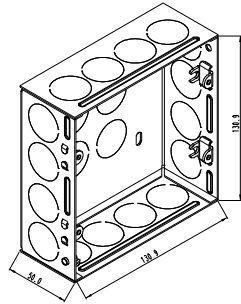
4M



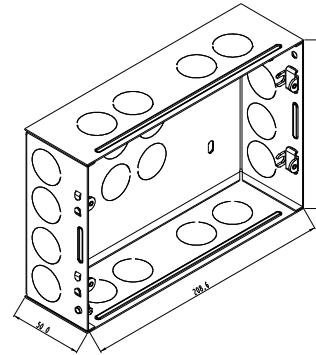
6M



8M (H)



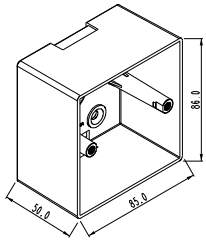
8M (S)



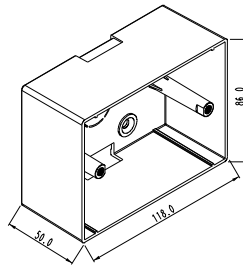
12M

All dimensions are in mm.

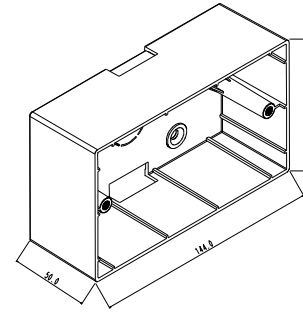
SURFACE BOXES DIMENSIONS



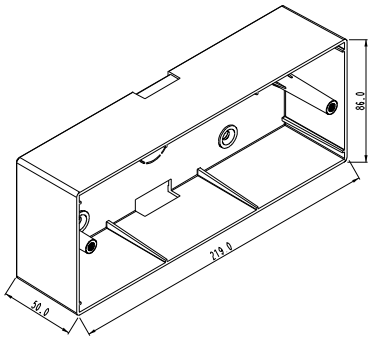
1M & 2M



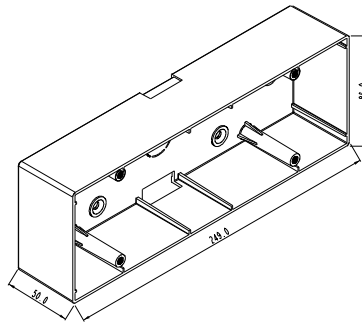
3M



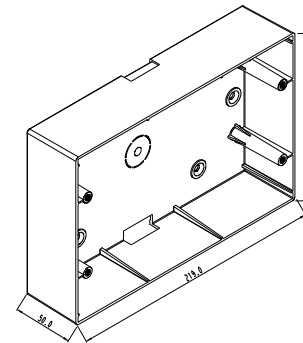
4M



6M



8M (H)



12M

All dimensions are in mm.

BARODA

Ground Floor, 1965,
Alembic City Avenue,
Alembic Campus, Alembic Road,
Vadodara - 390 003

BENGALURU

Honeywell Camp II,
Bldgs 9A & 9B, Plot C2, RMZ Ecoworld,
Varturhobli, Sarjapur Marathahalli,
Outer Ring Road,
Bengaluru - 560 103

CHENNAI

5th, 6th & 7th Floor,
KRM Plaza, North Tower,
#2 Harrington Road, Chetpet,
Chennai - 600 031

GURUGRAM

Unitech Trade Center,
5th Floor, Sector 43, Block C,
Sushant Lok, Phase 1,
Gurgaon - 122 022

HYDERABAD

8-2-418, Krishnama House,
3rd Floor, Road No. 7,
Banjara Hills,
Hyderabad - 500 034

KOLKATA

Unit Number-1205, 12th
Floor, Godrej Waterside
Tower-2, DP Block, Sector-V,
Salt Lake,
Kolkata-700091

MUMBAI

WeWork Chromium,
6th floor, Milind Nagar,
Opp. L&T Flyover, JVLR, Powai,
Mumbai - 400 076

PUNE

Plot No. 56/57,
Hadapsar Industrial Estate,
Pune - 411 013

Note: Due to continuous improvement in product design and development,
actual product and color may vary because of printing limitations.

**FOR FURTHER DETAILS,
PLEASE REACH US AT :**

Toll Free Number : 1800-103-3848
Monday to Sunday : 10AM - 7PM
Whatsapp : +91 81306-91299
email : eesteamindia@honeywell.com
Website: honeywellbuildings.in/electrical-products

Orna-BR-4000 | 2021-11-15
© 2021 Honeywell International Inc.

THE
FUTURE
IS
WHAT
WE
MAKE IT

Honeywell