

CALL POINTS INTELLIGENT ADDRESSABLE DEVICES

HM-MCP-GLASS

The call point is an addressable break glass manual call point which has a simple rotary decade switch at the rear of the unit for addressing.

A specialist test key may be inserted into the bottom of the unit to lower the glass and release the micro-switch and thus a full functional test is achieved.

The HM-MCP-GLASS Call Point is designed to provide a manual alarm interface to Morley IAS's fire alarm control panel.

Installation efficiency, compliance with the latest standards are at the heart of the call point range

LED Status

The LED status is controlled by fire panel and shows blinking RED each time the device is polled, or continuous RED to indicate fire.

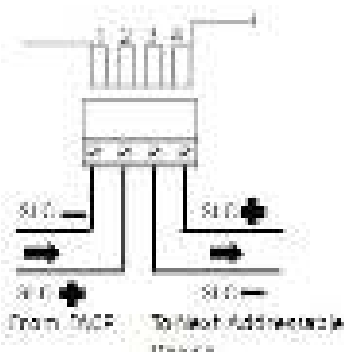


HM-MCP-GLASS

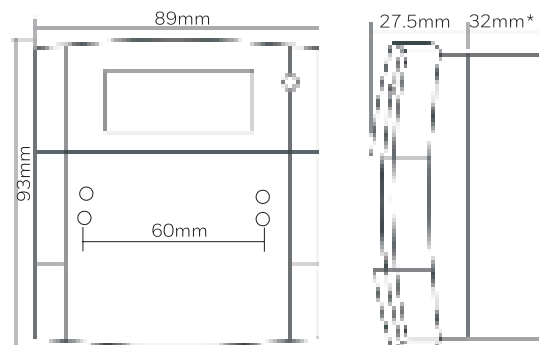
FEATURES & BENEFITS

- Unique 'Plug & Play' installation concept
- Analogue addressable communications
- Fully compliant with EN54, Part 11
- Integral LED

CONNECTION DETAILS



DIMENSIONS



* Mounting box dimension.

HM-MCP-GLASS SPECIFICATIONS

MECHANICAL	
Dimensions	Semi-flush mounting: 89 x 93 x 27.5 (WxHxD) Surface mounting : 89 x 93 x 59.5 (WxHxD)
Weight	110g
IP Rating	IP24D
Operating Temperature	0°C to 49°C
Relative Humidity:	10% - 93% non-condensing

PART NUMBERS	
HM/MCP/GLASS	Addressable break glass manual call point

ELECTRICAL	
Operating Voltage	15V to 32Vdc max
Current Consumption	Quiescent: 385µA Alarm Current: 7.8 mA

OPTIONAL ACCESSORIES	
PS230	Pack of ten resettable elements
MUS041W	Manual call point back box
MUS156	Pack of ten glass elements
SC070	Pack of 10 test keys

For more information,
<https://honeywellbuildings.in>
Call: 1-800-103-0339
Email: HBT-Indiabuildings@honeywell.com

Honeywell HBT India Buildings
Unitech Trade Center, 5th Floor, Sector-43,
Block C, Sushant Lok Phase - I,
Gurgaon - 122 002

Hinged Cover and Hinged Cover Seals Accessory Items



> Hinged Cover & Hinged Cover Seals

- Range of accessories to provide protection against accidental damage and extra security
- Fully compatible with all call points
- Customised branding available

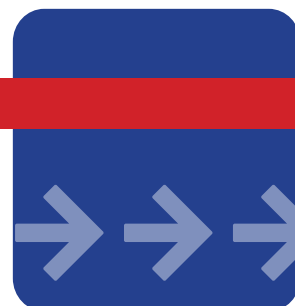


Product Overview

Fitting a transparent hinged cover to a call point provides additional protection from accidental operation. They are particularly useful in high traffic areas such as stairwells and corridors in schools and public buildings, where the volume of traffic can result in accidental operation of the call point causing nuisance alarms.

With the addition of the hinged cover seal, which consists of a breakable polypropylene tie down, the incidence of malicious false alarms can also be reduced, as to operate the device the seal must first be broken. This will deter the casual vandal whilst the device remains operable to the more determined user.

All MCP indoor call points and WCP outdoor call points can be fitted with these accessories. The hinged cover can also be customer branded. For more details please contact our sales department.



KAC

HNGE-1
Rev. No. 2



Hinged Cover Seal Installation Instructions

Fig. 1 Breakable Hinged Cover Seal

Fig.1



Fig.2 After removing the locally thinned section in the bottom centre of the call point, insert the cover seal into the hole in the housing as shown. Rotate the seal through 90° ensuring that the tooth is facing towards you.

Fig.2

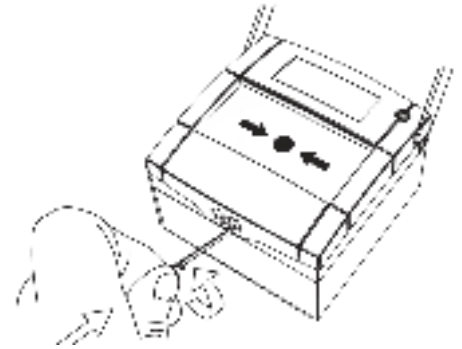


Fig. 3 Feed the other end of the seal through the hole located in the bottom of the hinged cover. Using pliers carefully pull the seal taut and press the hinged cover back to engage the tooth.

Fig.3

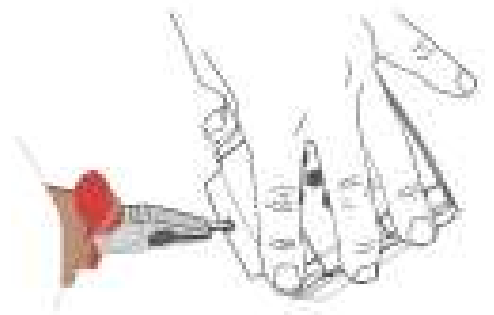


Fig. 4 Using wire cutters, trim the excess from the breakable seal ensuring the tooth remains to hold the hinged cover in position. Fitting cover seal to other classes of call point.

Fig.4



Ordering Information

Model	Description
PS200	Universal Hinged Cover
P056	Breakable Cover Seal

*Code describes a pack of 5 Seals.
Example: 4 x P056 = 20 seals.*

For RoHS, WEEE & REACH information please see www.kac.co.uk

> KAC Alarm Company Ltd

KAC House, Thornhill Road,
North Moons Moat, Redditch,
B98 9ND, United Kingdom
Tel: +44 (0) 1527 406655
Fax: +44 (0) 1527 406677
e-mail: marketing@kac.co.uk



Intelligent AV Devices Data Sheet

Flexible, Faster Fault-Finding & Easier Installation

Product Overview

Morley-IAS's new modular range of Intelligent AV warning devices provides easier system configuration and flexibility. A common base across AV and detectors is available, allowing for easier installation and ordering.

These devices are all available with isolators, providing you with a flexible approach and allowing for easier fault-finding on the loop. please see page 4 for more details.

Individual tone and volume settings and sounder tone synchronisation can be adjusted from the panel enabling the sound intensity to be adjusted to suit the application.

The common installation base , B501AP is supplied with a shorting spring. This allows for the continuity of wiring to be tested before installing any devices. The Morley-IAS devices can then be fitted at the final commissioning stage, reducing the risk of damage during the first fix. At final commissioning the device is simply twisted into the base and the installation is complete.

This system provides a greater degree of flexibility to system designers, provides a more robust solution and saves time for the installer as all devices are interchangeable without the need to disconnect or disturb the wiring.



MORLEY  **IAS**

FIRE SYSTEMS

by Honeywell

Advantages

Faster installation

- Large cable access
- Rear or surface cable entry
- Loop continuity spring
- Automatic synchronisation of sounder

Flexible installation

- Low current draw enables more devices on loop
- Adjustable volume control (on device or from panel)
- Intense strobe output
- Deep and high IP base options

Reduced install errors and easy fault finding

- Positive “poke yoke” engagement
- Address tag for clear indication
- Anti-tamper feature
- In-built isolation options
- Simple familiar rotary wheel address controls

Reduced full life costs

- High quality robust materials for longer life
- UV stable materials
- Robust construction for added impact resistance

Reduced inventory count

- Common base with detectors (B501AP)
- Device protocol is backward compatible through inclusion SS CLIP Advanced Protocols
- 32 tone selection to cover many markets (on device or from panel)

Excellent system performance

- High efficiency piezo disk and horn profile generate excellent sound output
- Advanced protocol enabled controllable sound output, tone selection.
- High output LED technology and superior lens design optimize light outputs

Morley-IAS's AV range of high quality loop powered devices are designed to alert building occupants of an emergency. They utilise the Morley-IAS B501AP base for improved installation flexibility and and integrate seamlessly with Morley-IAS S200A detectors. When triggered by the fire panel the powerful sounders and intense strobes give a visible and audible warning. A choice of output levels and tones make the devices suitable for a wide variety of applications.



Electrical

Base Beacon/ Base Sounder/ Base Sounder-Beacon/ Wall Beacon/ Wall Sounder/ Wall Sounder-Beacon

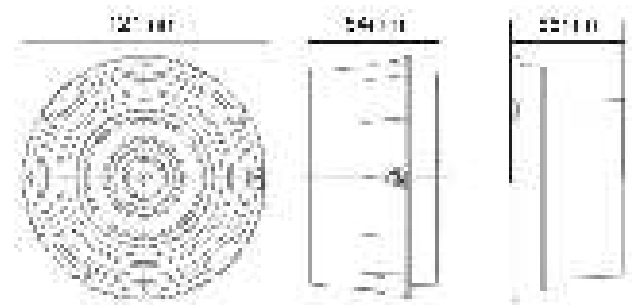
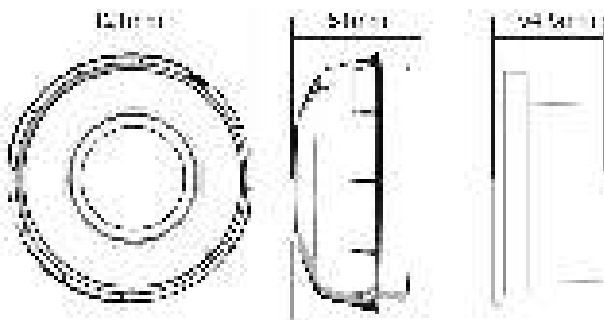
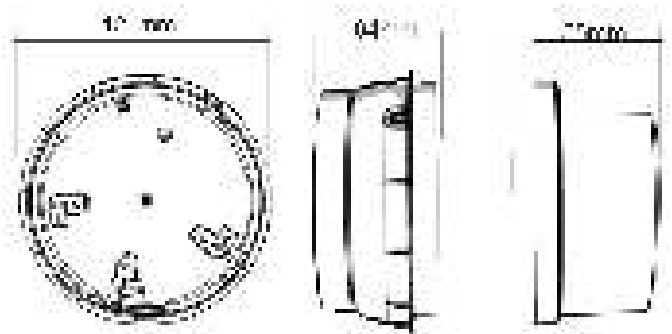
Supply Voltage	15 -28 VDC
Standby current	225µA
Max. current consumption	3.5mA / 11.4mA ¹ / 14.7mA ¹
Max. sound output	N/A / 97dB(A) +/-3dB @1metre ²

Mechanical

	Base Sounder	Base sounder Beacon	Wall Beacon	Wall Sounder	Wall Sounder Beacon
Height	64mm	64mm	51mm	64mm	64mm
Diameter			121mm		
Weight	200g	202g	238g	168g	238g
Body Colour	white	white	N/A	red	N/A
Lens Colour	N/A	clear	red	N/A	red
Light Colour	N/A	red	red	N/A	red
Beacon Flash Rate	N/A	1Hx	1Hz	N/A	1Hz
Number of tones	32	32	N/A	32	32
Volume Settings	High, Medium, Low	Hight, Medium, Low	N/A	High, Medium, Low	High, Medium, Low
Wire Gauge for Terminals	1.5 - 2.5mm ² max				

Environmental Specifications

- Temperature Range: -25°C to +70°C†
- Humidity: Max. 95% relative humidity (non-condensing)
- IP Rating: IP24 with low profile (B501AP) base
IP44 with deep bases (BRR, BPW)
IP65 for MI-BSO-PP-N/I with sealed deep base (WRR)
- Approvals
- Approved to: EN54-3, EN54-17 and CPD



Part Numbers

<i>New Part Number</i>	<i>Description</i>	<i>Related Old Part Number(s)</i>
Base Sounder Strobes		
MI-BSS-PC-N	Base sounder strobe with a white skirt and a clear lens, non-isolated.*	MI-IBSDB-PW-CL / MI-IBSDB-W-CL
MI-BSS-PC-I	Base sounder strobe with a white skirt and a clear lens, isolated.*	MI-IBSDB-PW-CL-I / MI-IBSDB-W-CL-I
Base Sounders		
MI-BSO-PP-N	Base sounder with a white skirt and body, non-isolated.*	MI-IBSD-W / MI-IBSD-PW
MI-BSO-PP-I	Base sounder with a white skirt and body, isolated.*	MI-IBSD-W-I / MI-IBSD-PW-I
Wall Strobes		
MI-WST-PR-N	Wall strobe with a white skirt and a red lens, non-isolated.*	MI-BEAC-RD
MI-WST-PR-I	Wall strobe with a white skirt and a red lens, isolated.*	MI-BEAC-RD-I
Wall Sounder Strobes		
MI-WSS-PR-N	Wall sounder strobe with a white skirt and a red lens, non-isolated.*	MI-WSDB-R-RD / MI-WSDB-W-RD
MI-WSS-PR-I	Wall sounder strobe with a white skirt and a red lens, isolated.*	MI-WSDB-R-RD-I / MI-WSDB-W-RD-I
Wall Sounders		
MI-WSO-PR-N	Wall sounder with a white skirt and a red body, non-isolated.*	MI-WSD-R
MI-WSO-PR-I	Wall sounder with a white skirt and a red body, isolated.*	MI-WSD-R-I
MI-WSO-PP-N	Wall sounder with a white skirt and body, non-isolated.*	MI-WSD-W
MI-WSO-PP-I	Wall sounder with a white skirt and body, isolated.*	MI-WSD-W-I
Bases		
B501AP	Analogue base with SEMS screw connections for isolated and non-isolated detectors and IAV devices.	LPBW
BRR	Addressable deep base, Red, for isolated and non-isolated detectors and IAV devices. (includes B501-AP)	SDBR
BPW	Addressable deep base, White, for isolated and non-isolated detectors and IAV devices. (includes B501-AP)	SDBW
WRR	Addressable sealed deep base, Red, for isolated and non-isolated detectors and IAV devices. (includes B501-AP)	WDBR

* Requires B501APbase



Honeywell Life Safety - System Sensor
 702, 7th Floor, B-Wing, Reliable Tech Park,
 Thane-Belapur Road, Airoli, Navi Mumbai - 400708
 +91-22-6765 0721
 +91-22 6765 0730
 marcom.hls@honeywell.com
 www.morley-ias.co.uk



MI-DCMO

ADDRESSABLE CONTROL

OUTPUT MODULE

The Morley-IAS MI-DCMO control output module is used with the ZX series of intelligent control panels to provide either a single alarm circuit or Form C relay.

The MI-DCMO can be used to operate dry contacts for door holders, air handling unit shut down or other similar functions. Optionally the module can be used to supervise wiring to the output load providing monitoring of the external load voltage or power supply. If the monitored voltage falls below threshold then a fault condition will be indicated.

Each MI-DCMO uses one of the ninety-nine possible module addresses available on a loop. It responds to regular polling from the control panel indicated by a pulsing LED every successful communication. On command from the control panel the MI-DCMO will disconnect the supervision and connect the external power supply across the load. The disconnection of the supervision provides a positive indication to the control panel that the relay is activated. The MI-DCMO has a

built-in isolator which may be switched out if required.

The MI-DCMO uses a unique mechanical design allowing each module to be mounted either in a wall box (M200-SMB) or on a DIN rail (using M200-DIN). Irrespective of the mounting method chosen, the address switch is both visible and accessible for selection. To help engineers in the maintenance and fault finding process, both the LEDs and the address switches can be viewed without having to remove the cover of the mounting box. The LEDs, being multi colour, provide diagnostic information regarding the status of the output. For ease of installation, testing and maintenance, the field wiring terminals are of a plug in design.

FEATURES

- DIN rail mounting option
- Surface mounting option
- Tri-colour LED status indication
- Built-in Short Circuit Isolators
- Visible Address selector switches
- LED status visible in 2 planes
- Plug in connectors
- Approved to GEA GEI 1-082 and CEA GEI 1-084



MI-DCMO SPECIFICATIONS

Mechanical Specifications	
Dimensions (H x W x D)	93 x 94 x 23 (mm)
Weight	110g
Operating Temperature	-20 °C to +60 °C
Relative Humidity	0 to 95% maximum non-condensing
Electrical Specifications	
Operating voltage	15 to 30 Vdc
Standby current	
No comms	310µA at 24 Vdc maximum
1 comms every 5 seconds with LED blink	510µA at 24 Vdc maximum
Terminal Wire	2.5 mm ² maximum
Relay Form C	
Unsupervised	2A at 30 Vdc, resistive load.
Supervised	1.5A at 30 Vdc, resistive load.
Part Numbers	
MI-DCMO	Single channel addressable output module
Accessories	
M200E-SMB	Surface mounting box
M200E-DIN	DIN rail mounting clip

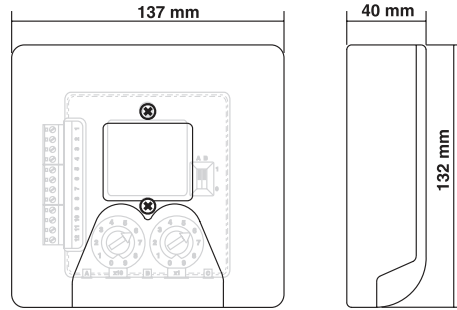
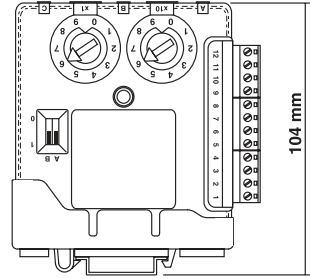
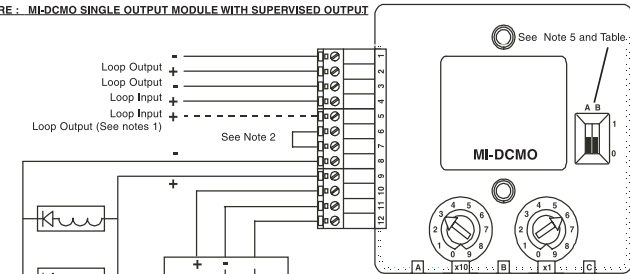


FIGURE 1: MI-DCMO SINGLE OUTPUT MODULE WITH SUPERVISED OUTPUT



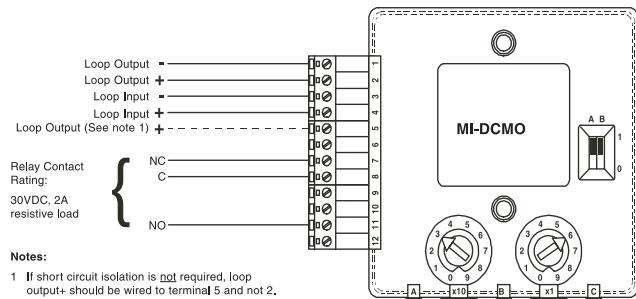
Notes:

- 1 If short circuit isolation is not required, loop output+ should be wired to terminal 5 and not 2. Terminal 5 is internally connected to terminal 4.
- 2 To enable output circuit supervision, the link supplied must be fitted across terminals 6 and 7, and the load must be polarised.
- 3 In supervised mode, the module monitors the power supply voltage across terminals 10 and 11 to ensure it does not drop below 7V, and also monitors for a switched negative fault signal from the power supply to terminal 12 (optional). If a fault is seen the yellow LED will blink, and a fault may be indicated at the panel.
- 4 Up to 1.5A load can be driven subject to the supply capability, total cable resistance and minimum voltage required by the load.
- 5 An alternative end of line monitoring option is available for VdS 2489 requirements - see table 1. Maximum cable series resistance is 10R so max. load current is limited by permissible voltage drop along the cable, min. PSU voltage and min. load voltage requirement, eg: Min PSU voltage = 21V, min load voltage = 18V, max. series resistance = 10R, therefore max. current = 300mA [(21-18)/10 Amps].

Table 1: EOL Monitoring Options

Mode	Switch A Position	Switch B Position	EOL Device	Load
Std	0	0	47k Resistor	See Note 4
VdS	1	0	Polarised 47R	See Note 5
RLY	N/A	1	Unsupervised	

FIGURE 2: MI-DCMO SINGLE OUTPUT MODULE WITH UNSUPERVISED OUTPUT



Notes:

- 1 If short circuit isolation is not required, loop output+ should be wired to terminal 5 and not 2. Terminal 5 is internally connected to terminal 4.

For more information,
<https://honeywellbuildings.in>
 Call: 1-800-103-0339
 Email: HBT-Indiabuildings@honeywell.com

Honeywell HBT India Buildings
 Unitech Trade Center, 5th Floor, Sector-43,
 Block C, Sushant Lok Phase - I,
 Gurgaon - 122 002