



PROFAB

PROFAB ENGINEERS PVT. LTD.

CABLE MANAGEMENT SYSTEMS

TECHNICAL DRAWINGS

www.profabengineers.com

INDEX

• Profile	01 - 04
• Support System	
• Flexi Rack Support System	05 - 06
• Pro Strut Support System	07 - 08
• Boltable Rack Support System	09 - 10
• Punched Angle Support System	11 - 13
• Threaded Rod Support System	14 - 15
• Slotted Zed Section Application	16 - 16
• Punched Flat Support System	17 - 17
• Special Supports	18 - 18
• Purlin Brackets	19 - 19
• Cable Binder Strip	20 - 20
• Cable Trays	
• Perforated Cable Trays	21 - 29
• Bolted Rung Ladder Trays	30 - 34
• Wide Span Bolted Rung Ladder Trays	35 - 35
• Bolted Rung Ladder Trays Cover, Bends & Accessories	36 - 39
• Welded Rung Ladder Trays	40 - 43
• Wiremesh Cable Trays	44 - 47
• Wire Ducts & Junction Boxes	
• Cable Ducts	48 - 48
• Wire Ducts	49 - 54
• Junction Boxes	55 - 58
• Notes	59 - 60



- Commenced operations in 1984 in Mumbai, now joint venture with majority holding of PUK Group Germany. Profab's commitment goes beyond mere supply of product. Contractor's and project owner's needs are addressed.
- Initial 2 years saw more of installation work handled, to get familiar with Indian cable management practices.
- Even from start benchmarking was with international practices in cable management.
- Bolted rung ladder cable trays first introduced to India by Profab has withstood imitations and is still preferred by buyers for the features and economy it offers.
- Full range of cable management products is offered from one source along with advice on selection.
- Widest range of support systems is offered by Profab. The configurations possible are only limited by imagination of user.
- Stocks are maintained of popular types and in regularly used sizes.
- Products offered by Profab including supports and mountings have often been mentioned by consultants as standard.
- Solutions approach adopted by Profab has benefitted many contractors and owners.
- Experience of 30 years plus has generated a wealth of data that is available to buyer/consultant.
- Projects serviced in India by Profab over more than two decades reads like a list of well-known projects implemented in India.
- Testing and load certification has been regular practice long before industry demanded it.
- Analytical testing for wind, seismic conditions are performed when provided by contract conditions.
- Load tests of Profab products to IEC standards is well under way. Those for impact and electrical continuity have already been certified.
- Materials are sourced from main producers with certificates to ensure conformance to standards.
- Field visits and field reports are a regular practice in Profab to evaluate and upgrade.
- Experience of PUK Germany in design, production, safety & testing, advanced load certification, fire resistance etc. has already begun to be transferred to Profab.
- Profab's field engineers are strategically located to visit any location in India to advise on site issues.
- Profab considers a repeat order as an acceptance of pricing and services offered, a good form of certification. Profab order book is formed mostly of repeat orders.

INDUSTRIES WE SERVE



INDUSTRIES WITH PROMINENT PRESENCE OF PROFAB.

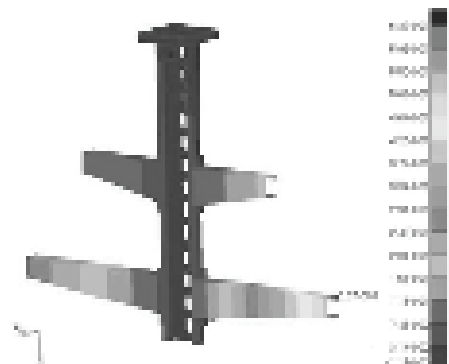
- Automobile
- Public Infrastructure like Airports, Metros, Seaports & Tunnels.
- Defence sector like Air force airbase & Naval base
- Industries including Tyre, Glass, FMCG, Pharma
- IT and Data Centers
- Financial Institutions
- Power Generation including Thermal, Hydro & Solar
- Petrochemical
- Hospitals
- Education institutions
- Hotels, Malls, Business Centers & Warehouses.

QUALITY AND TECHNICAL COMPETENCE



PUK GROUP Berlin based production facility houses state of art testing equipment. PUK testing facility is the one approved by VDE and is audited once a year.

- Designs adopted by Profab maximize utility value for user and for optimal finishing results.
- Designs also consider cost of handling, transport and speed of installation
- Raw materials sourced from primary producers
- Purpose designed toolings ensure accurate punch pattern
- Section formation with accurate dimensions.
- Assemblies are welded, bolted or weldments bolted depending on the product and utilization by customer
- Importance given to adept in-process inspection and attention to finishing.
- Attention to quality and innovative designs to solve installation hurdles has kept Profab in top league.



Profab-Puk can also undertake computerized testing for its product for Seismic and wind speed loads when contract provides for it.

LIST OF MAJOR PROJECTS

AUTOMOBILE

- Ford Motors
- Hyundai
- Tata Motors
- Ashok Leyland
- Mahindra & Mahindra
- Volkswagen
- General Motors
- Maruti Suzuki
- Mercedes
- Hero Honda
- Renault-Nissan
- Caterpillar
- JCB
- BMW
- Boeing
- Ford Motors (Sanand)
- Isuzu Motors
- Hero Motor Jaipur
- Hero Motor Halol

TYRE COMPANIES

- MRFTyre
(all locations including Trichy, Medak, Goa, Chennai, Anakapally, Kottayam)
- JKTyre
- Michelin
- Bridgestone
- Falcon
- ContinentalTyre

FINANCIAL INSTITUTIONS

- HSBC (incl. Srilanka)
- ICICI Bank
- IDBI Bank
- SBI
- National Stock Exchange
- CITI Bank

OTHER INDUSTRIES

- ITC Bangalore
- ITC Haridwar
- Saint Gobain glass
- Asahi glass
- Hindustan Zinc
- BASF Chemicals
- Moser Bear
- Colgate
- Unilever
- P&G
- Norvartis
- Astra Zenacca
- Nestle
- Bosch
- Sun Pharma
- Teva Pharma
- Hospira
- Adani Wilmar Limited

IT COMPANIES

- Microsoft Phase I, II, & III,
- Symantec
- Wipro
- TCS
- Hewlett Packard
- Cisco
- Intel
- SAP Labs
- McAfee
- Oracle
- Cognizant
- Dell

POWER GENERATION

- Hydro electric power plant – Baglihar & NHPC Sikkim
- TATA Power

INFRASTRUCTURE

- Hyderabad Intl. Airport
- Bangalore Intl. Airport
- New Delhi Intl. Airport
- Mumbai Intl. Airport
- Kolkata Intl. Airport
- F1 Racetrack Noida
- Bangalore Metro Rail
- Chennai Metro Rail
- Hyderabad Metro Rail
- SMART CITY Kochi
- Gangavaram Port
- Mazagaon Dock Limited
- Nuclear Power Corporation - Kudankulam

HOTELS, MALLS, RESIDENTIAL & COMMERCIAL

- Leela
- Taj Mahal
- Oberoi
- Marriot
- Novotel
- Pullman
- Four Seasons
- Lulu Mall
- Phoenix Mall
- Oberoi Mall
- In-orbit Mall
- Hyatt Hotel
- ITC Hotel
- Sofitel Hotel
- Oberoi Worli Mix Use project
- Lodha world crest
- Pallais Royal
- Peninsula Business parks
- Indiabulls financial center
- Marathon Futurex

EXPORT ORDERS

- Jebel Ali Cement Plant
- Modern Medical Society Yemen
- Holcim Cement Bangladesh
- ITC Cigarette Factory Nepal
- Meheo Medicity Nepal
- Vedanta Copper Smelting Zambia
- Kipe Hotel Kenya
- Dangote Cement Plants Nigeria
- Strides Arcolabs Bahrain & Sudan
- Mae Moh Mines Thailand etc
- Topaz Industries - Guinea, Conakry
- Mitsubishi Thermal Power Plant - Phillipines
- Hilton Cape Sierra Hotel - South Africa

Petrochemical

- HPCL
- BPCL
- ONGC
- Oil India
- Chennai Petroleum Corporation
- Mangalore Refineries

- **In event of order please check with us for product codes**
- **PROFAB reserves the right to change specifications to suit performance**

PRODUCTION CAPACITY

Unit 1

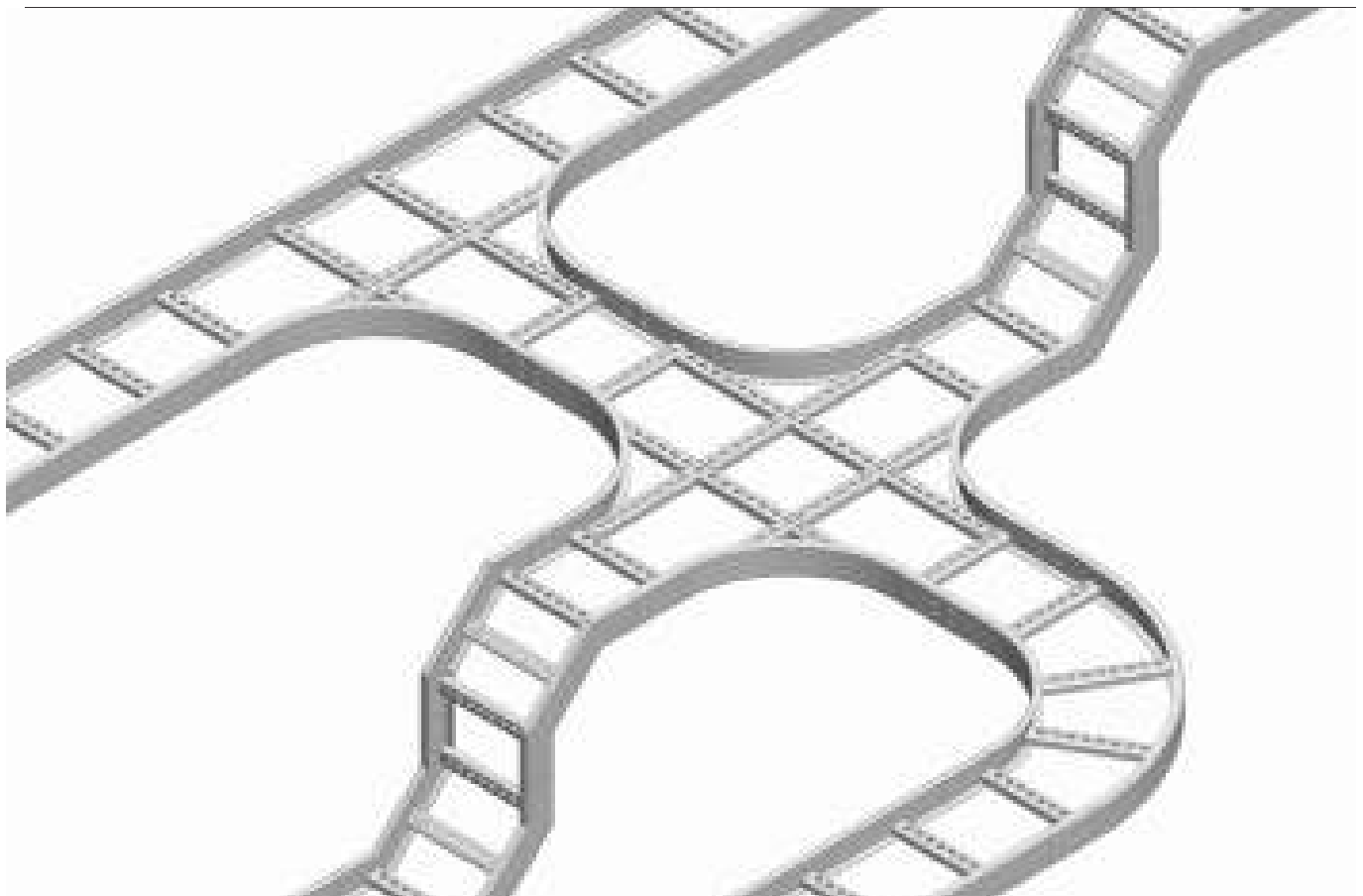
Navi Mumbai, India - 6000 sqft

Unit 2

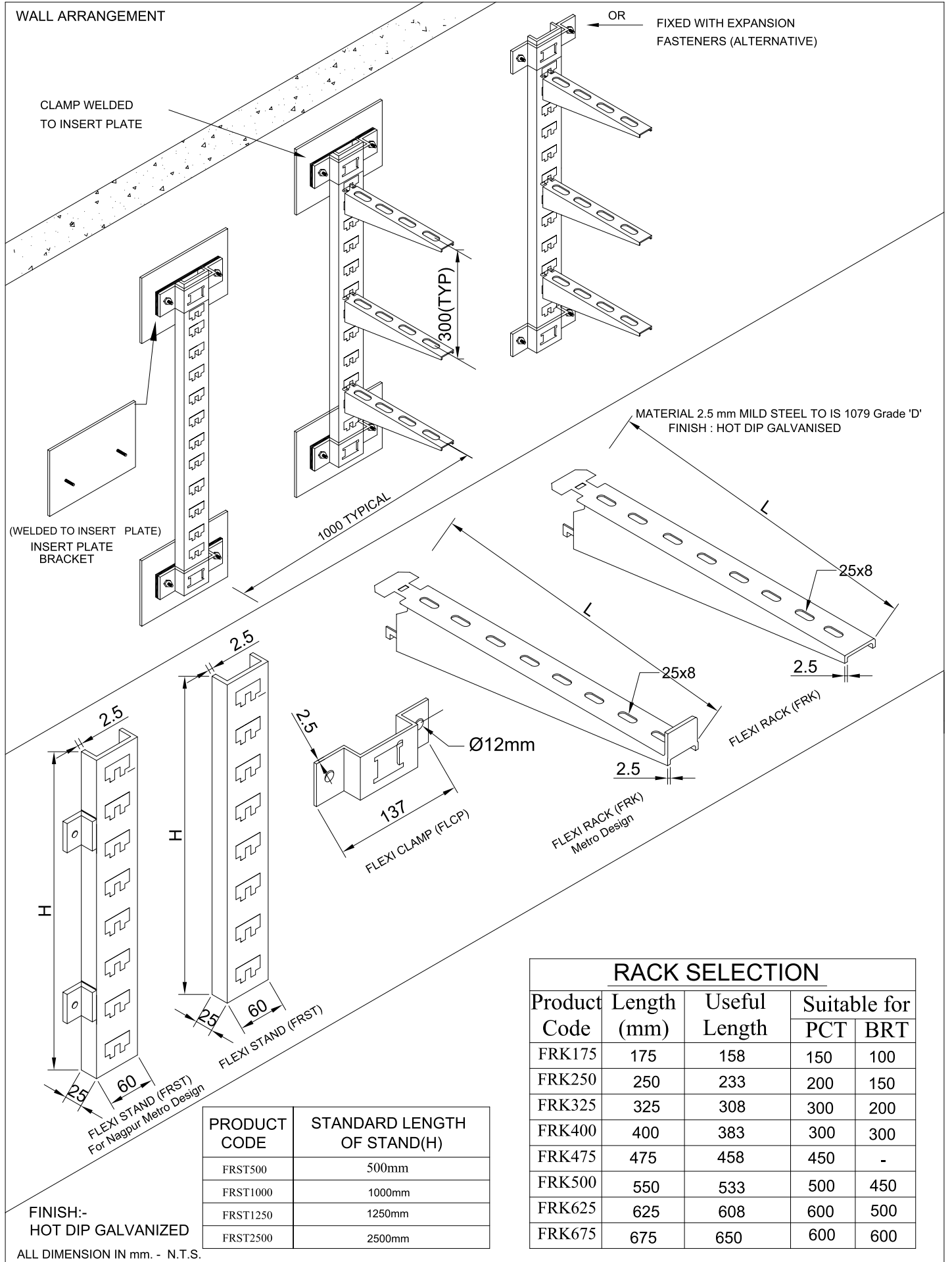
Ambernath, India - 46000 sqft

Production capacity (Installed capacity)	
Hot Dip Galvanized Cable Trays	7000 tons
Pregalvanized trays, Raceways and Junction boxes	5000 tons
Supports	4000 tons

SALES NETWORK



FLEXIRACK SUPPORT SYSTEM

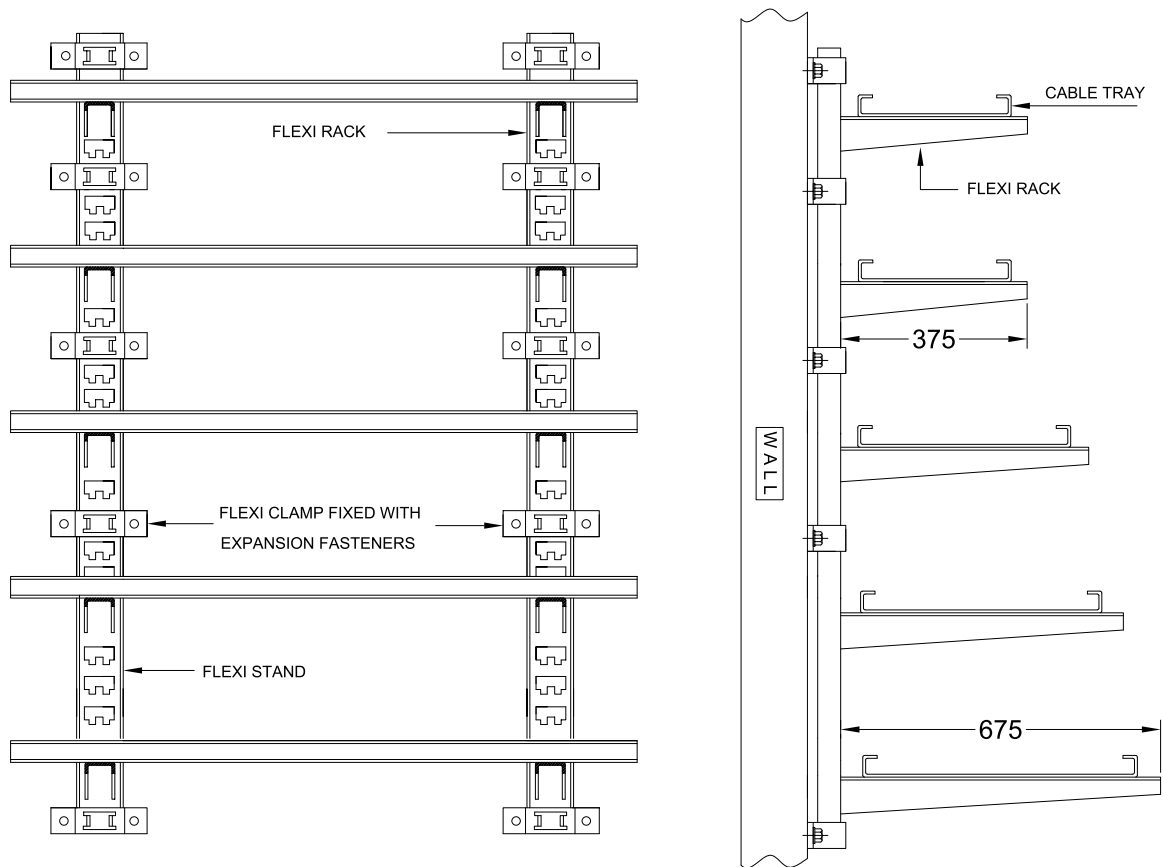


PRODUCT CODE	STANDARD LENGTH OF STAND(H)
FRST500	500mm
FRST1000	1000mm
FRST1250	1250mm
FRST2500	2500mm

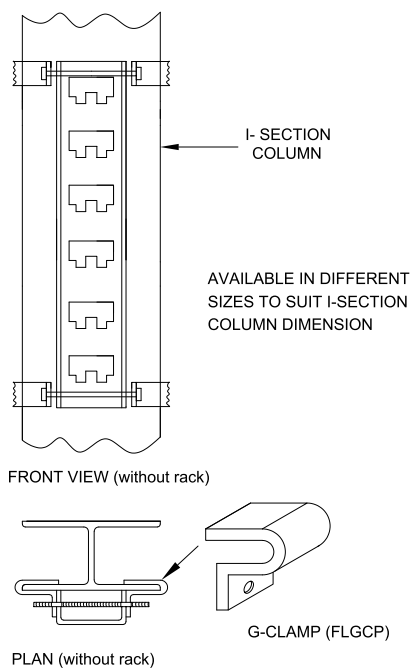
RACK SELECTION				
Product Code	Length (mm)	Useful Length	Suitable for	
			PCT	BRT
FRK175	175	158	150	100
FRK250	250	233	200	150
FRK325	325	308	300	200
FRK400	400	383	300	300
FRK475	475	458	450	-
FRK500	550	533	500	450
FRK625	625	608	600	500
FRK675	675	650	600	600

FLEXIRACK COMPONENTS FOR WALL ARRANGEMENT

INSTALLATION AS CARRIED OUT FOR POWER GRID CORPORATION LTD. BY CROMPTON GREAVES LTD. AT BAKRESHWAR (W.B)

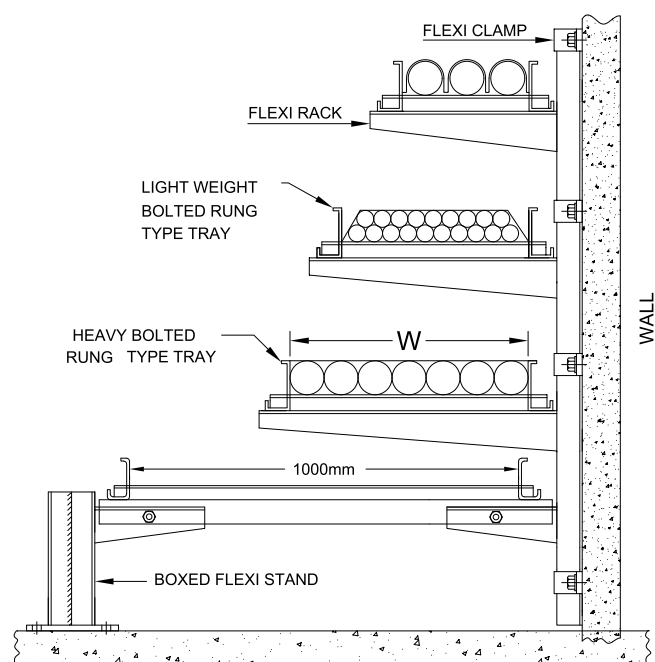


FLEXIRACK SYSTEM MOUNTED ON I-SECTION COLUMN.



ALL DIMENSION IN mm. - N.T.S.

RACK SYSTEM AS INSTALLED AT NCPA (TUNNEL) NARIMAN POINT MUMBAI.



FINISH:-
HOT DIP GALVANIZED

PRO-STRUT SUPPORT SYSTEM WITH ACCESSORIES

PRODUCT CODE	COUPLER SIZE (WxHxLxT)
PPC 402020	41x15x200x2.0
PPC 414125	42x20x200x2.0

FINISH:-
HOT DIP GALVANIZED

PRODUCT CODE	CROSS SECTION	Thickness (t) mm
PPS402020	40 x 20	2.0
PPSD402020	40 x 20	2.0
PPS414125	41 x 41	2.5
PPSD414125	41 x 41	2.5

PRO-STRUT DOUBLE
41x41x2.5

NOTE: DIMENSIONS OF ALL RACKS 41x41x2.5 mm ONLY

PRODUCT CODE	L (mm)	FINISH
PSRKS 175mm	175	HD/PC
PSRKS 225mm	225	HD/PC
PSRKS 375mm	375	HD/PC
PSRKS 525mm	525	HD/PC
PSRKS/D 675mm	675	HD/PC
PSRKS/D 825mm	825	HD/PC
PSRKS/D 975mm	975	HD/PC

* HD. - Hot Dip Galvanized
* PC. - Powder Coated.

PRO-STRUT CEILING CAP (PSCS - Single)
(T = 3 mm)

PRO-STRUT CEILING CAP (PSCD - Double)

PRO-STRUT MOUNTING ON WALL

CEILING CAP FOR PRO-STRUT

BOLTABLE RACKS

CEILING CAP FOR PRO-STRUT

PRO-STRUT 41x41x2.5 BACK TO BACK WELDED

SPRING NUT INSERTED INSIDE SECTION OF PRO-STRUT

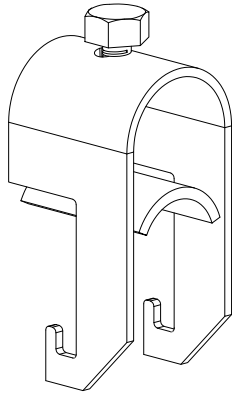
FINISH:-
HOT DIP GALVANIZED

TYPES OF SPRING NUT	PART No.
SPRING NUT 4020 - 6 mm	PSN2060
SPRING NUT 4020 - 8 mm	PSN2080
SPRING NUT 4020-10 mm	PSN20100
SPRING NUT 4141 - 8 mm	PSN4180
SPRING NUT 4141 - 10 mm	PSN41100
SPRING NUT 4141 - 12 mm	PSN41120

C-STRUT FRAMING ELBOW
T = 5 mm
t = 3.5 mm
d = 6, 8, 10, & 12 mm

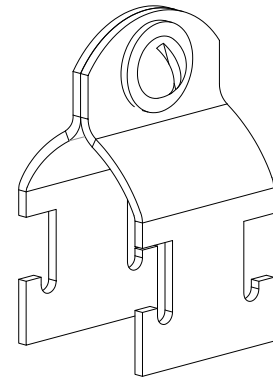
ALL DIMENSION IN mm. - N.T.S.

CABLE CLAMPING ON 'C'-STRUT



HOOK CLAMP : SIZES AVAILABLE FOR CABLE DIAMETERS

Cable Dia	Product Code
15 mm	PSHC15
20 mm	PSHC20
25 mm	PSHC25
30 mm	PSHC30
40 mm	PSHC40
50 mm	PSHC50

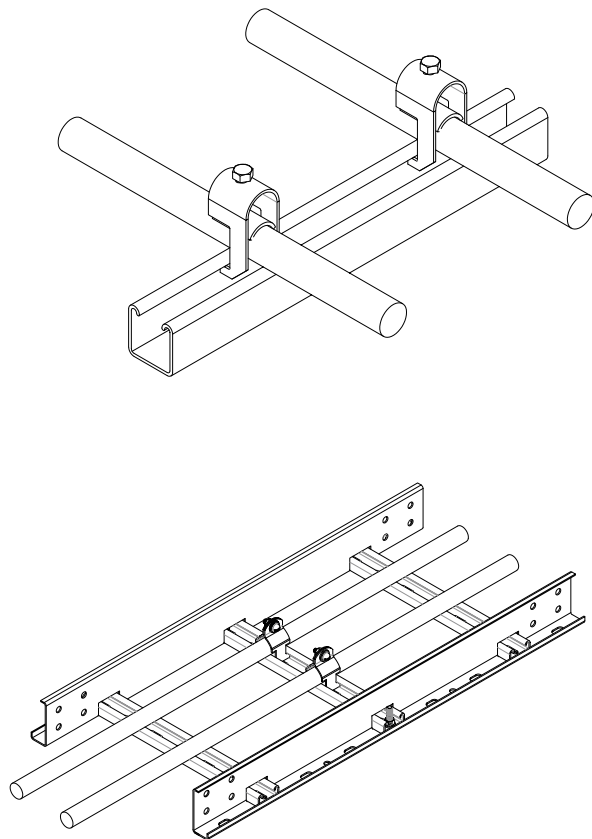
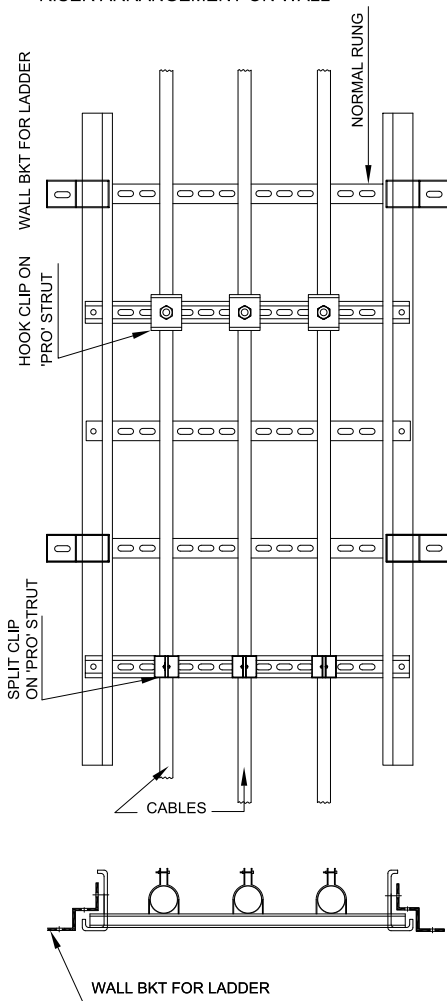


SPLIT CLIP : SIZES AVAILABLE FOR CABLE DIAMETERS

Cable Dia	Product Code
25mm-30mm	PSSC25
35mm-40mm	PSSC35
45mm-50mm	PSSC45
55mm-60mm	PSSC55
75mm-80mm	PSSC75
100mm-105mm	PSSC100

WALL

RISER ARRANGEMENT ON WALL



ALL DIMENSION IN mm. - N.T.S.

BOLTABLE RACK SUPPORT SYSTEM

Product Code	Size W x H x T	Std. Length (L) mm
BRKS 1005035 HD	100X50X3.5	500,1000,1250
BRKS 655030 HD	65X50X3.0	1500,2000,3000mm

* 4000mm Length also available for volumes

BOLTABLE RACK STAND (BRKS) - ①

FINISH:-
HOT DIP GALVANIZED

FINISH:-
HOT DIP GALVANIZED

BOLTABLE RACK STAND WALL BRACKET (BRKWB) (+1Fastener)

FIX TO WALL

WALL SUPPORT ANGLE (BRKWSA 65) (+1Fastener) ② (b)

BOLTABLE RACK STAND COUPLER FOR 100X50MM CHANNEL (+8Fastener) (BRKCP) - ⑥

FINISH:-
HOT DIP GALVANIZED

Product Code	Size W x H x T	Std. Length (L) mm
BRKS 655030 HD	65X50X3.0	500,1000,1250 1500,2000mm

Base Plate 150x75x6mm

FINISH:-
HOT DIP GALVANIZED

BOLTABLE RACK STAND CEILING CAP (BRKCC1560) (M10X25mm 2 Fastener) ②

FINISH:-
HOT DIP GALVANIZED

BOLTABLE RACK STAND INCLINED CAP (BRKIC 45°) (+2Fastener)

BOLTABLE RACK (BRK) -UPTO ⑤ (+2Fastener)

BOLTABLE RACK (BRK) -UPTO ⑨ (+2Fastener)

FINISH:-
HOT DIP GALVANIZED

ALL DIMENSION IN mm. - N.T.S.

RACK SELECTION		
Product Code	Tray L(mm)	Rack L(mm)
BRK125	100	125
BRK225	150	225
BRK275	200	275
BRK375	300	375
BRK525	450	525
BRK575	500	575
BRK675	600	675
BRK825	750	825
BRK975	900	975
BRK1100	1000	1100
BRK1220	1200	1200

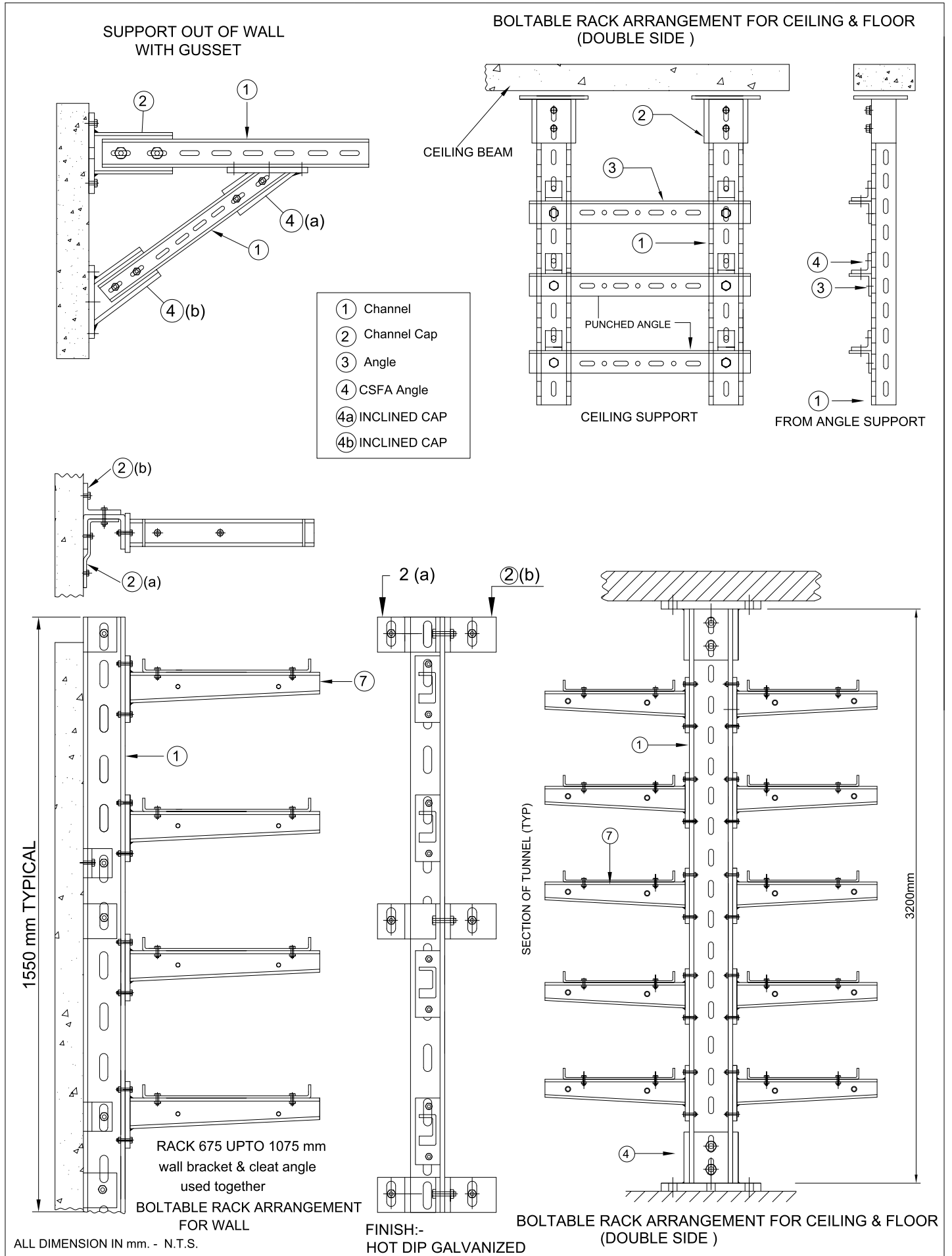
Sr. No.	RACK LENGTH (L)	RACK THK.	SECTION	
			END-A	END-B
01	175mm	2.0mm	35	35
02	225mm	2.0mm	65	60
03	275mm	2.0mm		
04	325mm	2.0mm		

Sr. No.	RACK LENGTH (L)	RACK THK.	SECTION	
			END-A	END-B
01	325mm	2.5mm	35	35
02	375mm	2.5mm	65	60
03	525mm	2.5mm		
04	575mm	2.5mm		
05	675mm	2.5mm		

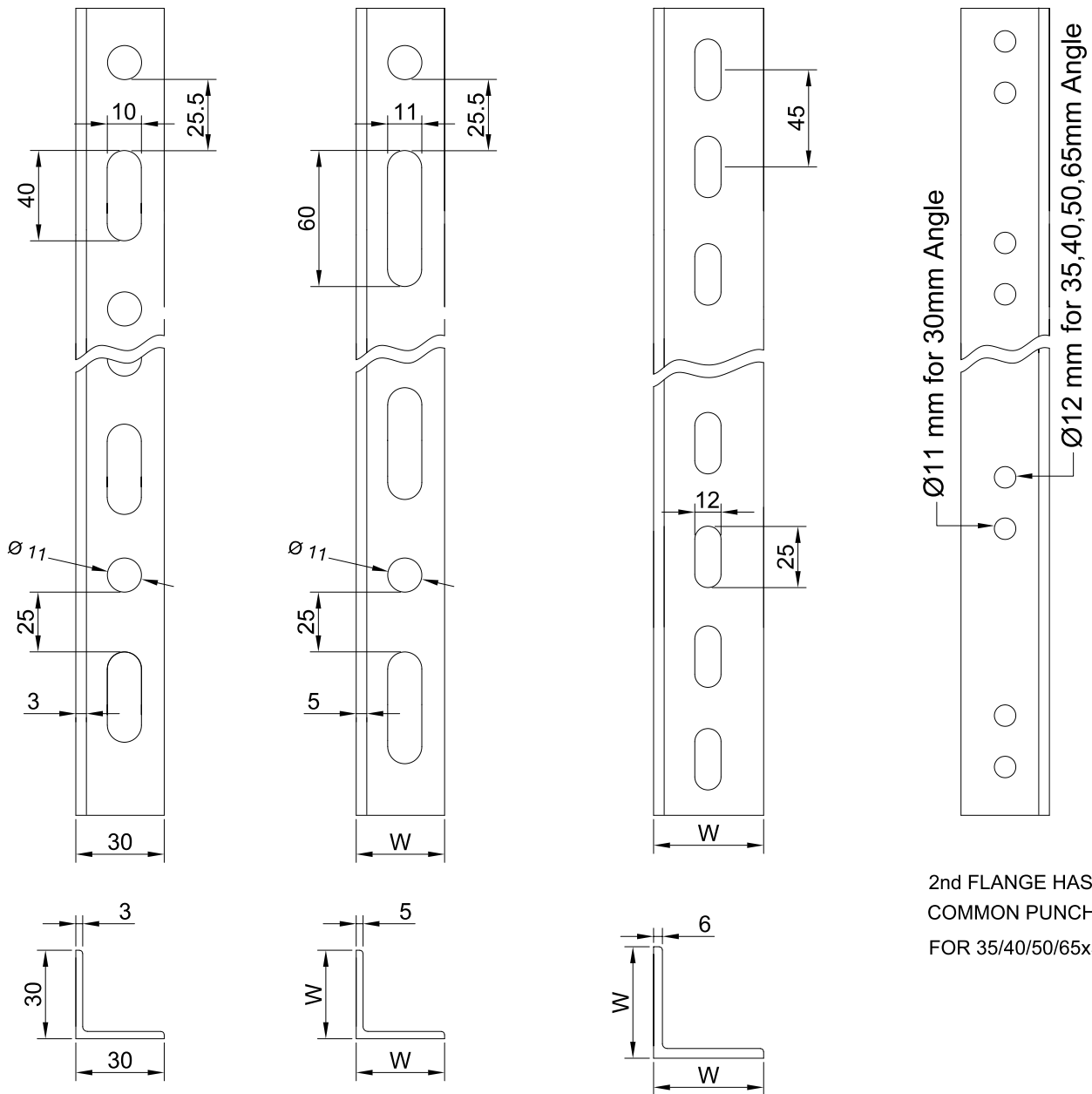
Sr. No.	RACK LENGTH (L)	RACK THK.	SECTION	
			END-A	END-B
06	825mm	3.0mm	40	40
07	975mm	3.0mm	80/100	60
08	1100mm	3.0mm		
09	1220mm	3.5mm	20	20

FOR APPLICATIONS SEE NEXT PAGE

BOLTABLE RACK SUPPORT(APPLICATION)



PUNCHED ANGLE SUPPORT SYSTEM



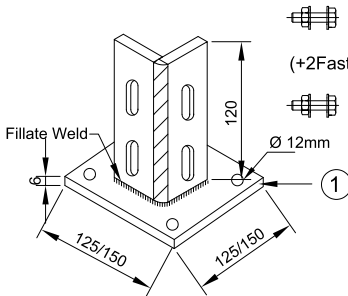
MATERIALS:-
MILD STEEL ANGLES TO IS 2026

FINISH:-
HOT DIP GALVANIZED, SELF FINISH,

Product Code	Size W x T	Std. Length (L) mm
PA 3030 HD	30X30X3.0	3000mm
PA 3550 HD	35X35X5.0	
PA 4050 HD	40X40X5.0	
PA 5050 HD	50X50X5.0	
PA 5060 HD	50X50X6.0	
PA 6560 HD	65X65X6.0	

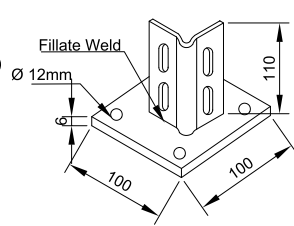
ALL DIMENSION IN mm. - N.T.S.

PUNCHED ANGLE SUPPORT SYSTEM COMPONENTS



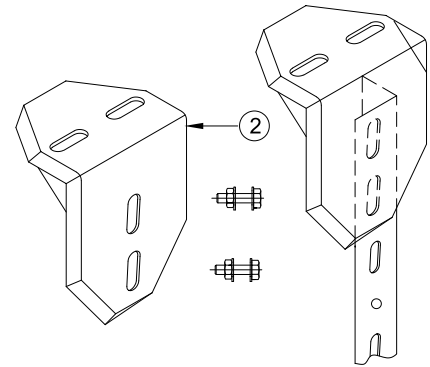
**PUNCHED ANGLE HOLDER
(PAHWP12540/50)
(PAHWP15065)**

FINISH:-
HOT DIP GALVANIZED



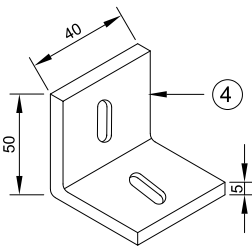
**PUNCHED ANGLE HOLDER
(PAHFP10035/40)**

DISCRIPTION	PART No.
PUNCHED ANGLE HOLDER FORMED PLATE 100x100 FOR 35x35x5mm ANGLE	PAHFP10035
PUNCHED ANGLE HOLDER FORMED PLATE 100x100 FOR 40x40x5mm ANGLE	PAHFP10040
PUNCHED ANGLE HOLDER WELDED PLATE 125x125 FOR 50x50x6mm ANGLE	PAHWP12550
PUNCHED ANGLE HOLDER WELDED PLATE 150x150 FOR 65x65x6mm ANGLE	PAHWP15065



**PUNCHED ANGLE HOLDER
(FOLDED PLATE) (PAHFP) (+2Fasteners)**

FINISH:-
HOT DIP GALVANIZED



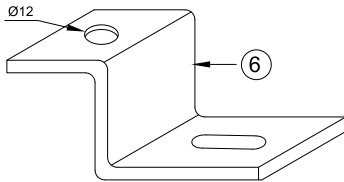
**PUNCHED ANGLE ASSEMBLY
REINFORCEMENT (CSFA)
(SAME AS C-STRUT FRAMING ANGLE)**

FINISH:-
HOT DIP GALVANIZED

**WALL
SUPPORT ANGLE
FOR WALL**

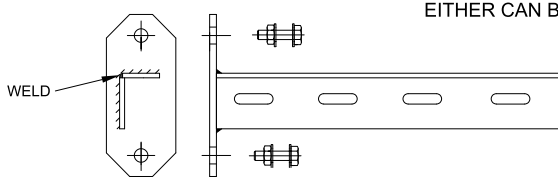
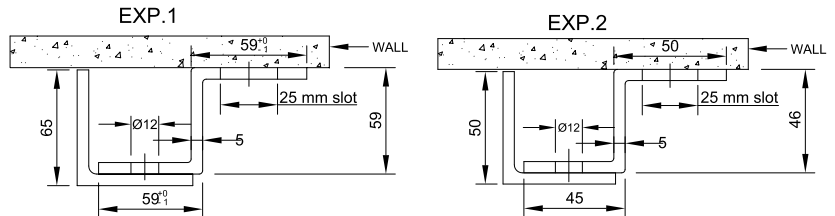
SIZE	PART No.
50	(WSA50)
65	(WSA65)

FINISH:-
HOT DIP GALVANIZED

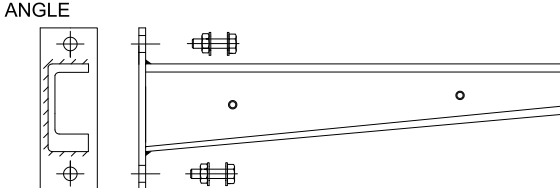


PUNCHED ANGLE SPACER BRACKET (PASB50/65)

FINISH:-
HOT DIP GALVANIZED



7(a) BOLTABLE ANGLE RACK (+2 FASTENERS)



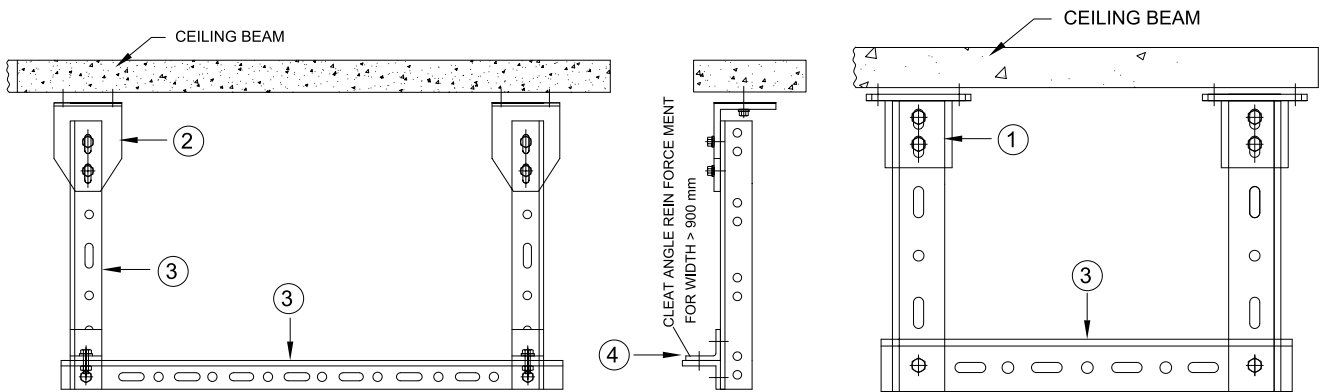
7(b) BOLTABLE RACK (+2 FASTENERS)

EITHER CAN BE USED WITH ANGLE

FINISH:-
HOT DIP GALVANIZED

ALL DIMENSION IN mm. - N.T.S.

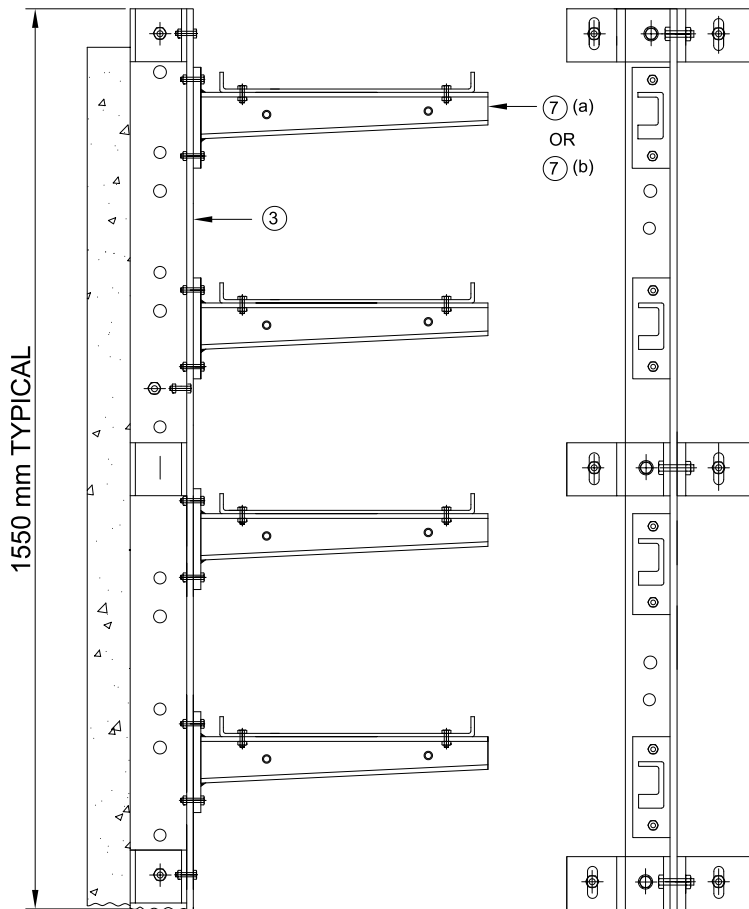
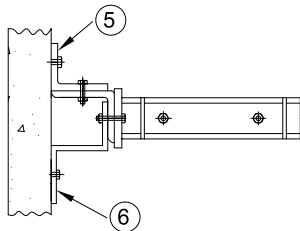
PUNCHED ANGLE SUPPORT SYSTEM APPLICATION



CEILING SUPPORT

CEILING SUPPORT

- ① Angle Holder Sq. Plate type
- ② Angle Holder Folded Plate type
- ③ Punched Angle
- ④ CSFA Angle
- ⑤ Wall Support Angle (BRKWSA)
- ⑥ Punched angle Spacer Bracket (PASB)



RACK 675 UPTO 1075 mm
wall bracket & cleat angle used together

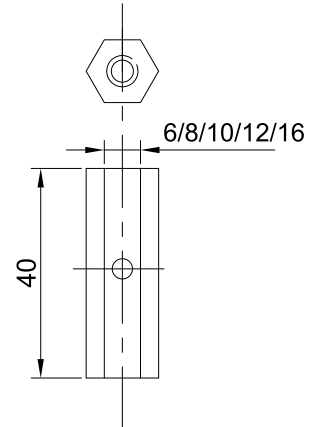
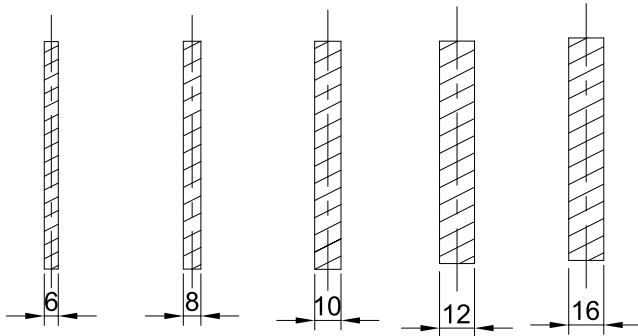
FOR RACK BELOW 675MM ONLY
WALL BRACKET OR ONLY FLAT ANGLE SUFFICES

FINISH:-
HOT DIP GALVANIZED

ALL DIMENSION IN mm. - N.T.S.

THREADED RODS SUPPORT APPLICATION

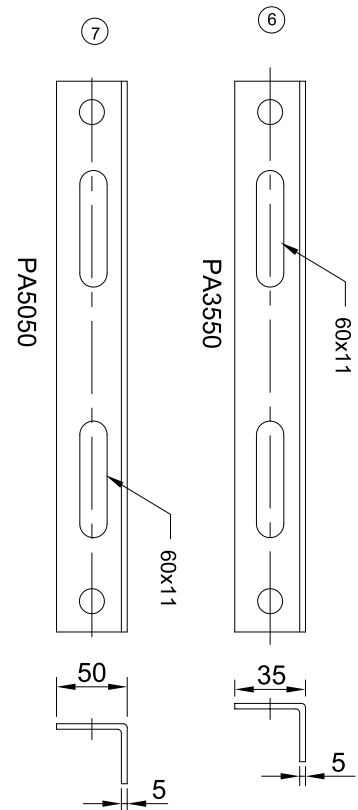
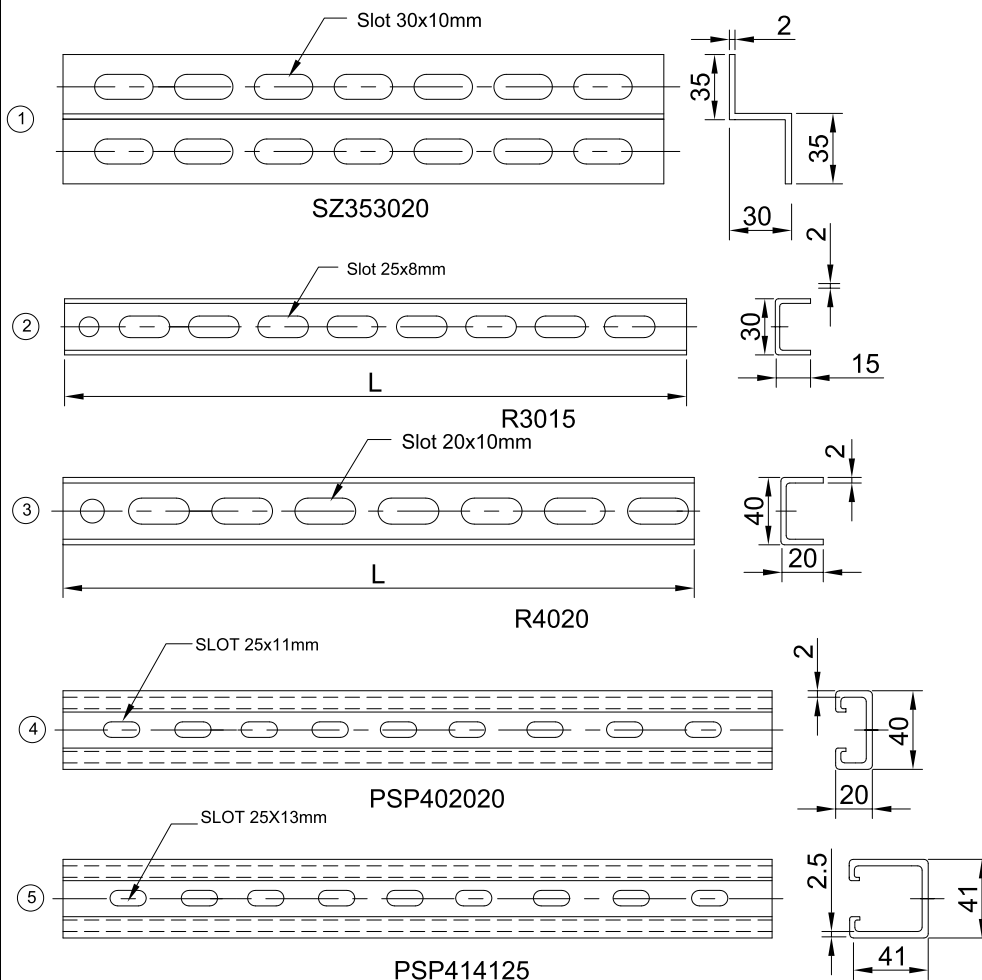
FULLY THREADED M.S. RODS/STUDS.



ROD COUPLER

TYPES OF THREADED RODS	PART No.	Finish
THREADED ROD 6x1000 mm long	TR6-1000	ZP,SS
THREADED ROD 8x1000 mm long	TR8-1000	ZP,SS
THREADED ROD 10x1000 mm long	TR10-1000	ZP,SS,HDG
THREADED ROD 10x2000 mm long	TR10-2000	ZP,SS,HDG
THREADED ROD 10x3000 mm long	TR10-3000	ZP,SS,HDG
THREADED ROD 12x1000 mm long	TR12-1000	ZP,SS,HDG
THREADED ROD 12x3000 mm long	TR12-3000	ZP,SS,HDG
THREADED ROD 16x3000 mm long	TR16-3000	ZP,SS,HDG

TYPES OF THREADED RODS COUPLER	PART No.	Finish
THREADED ROD COUPLER 8 mm	TRCP8	ZP,SS
THREADED ROD COUPLER 10 mm	TRCP10	ZP,SS
THREADED ROD COUPLER 12 mm	TRCP12	ZP,SS
THREADED ROD COUPLER 16 mm	TRCP16	ZP,SS



ITEMS NO. 1 TO 7 ARE DIFFERENT TYPES OF TRAY SUPPORTS .

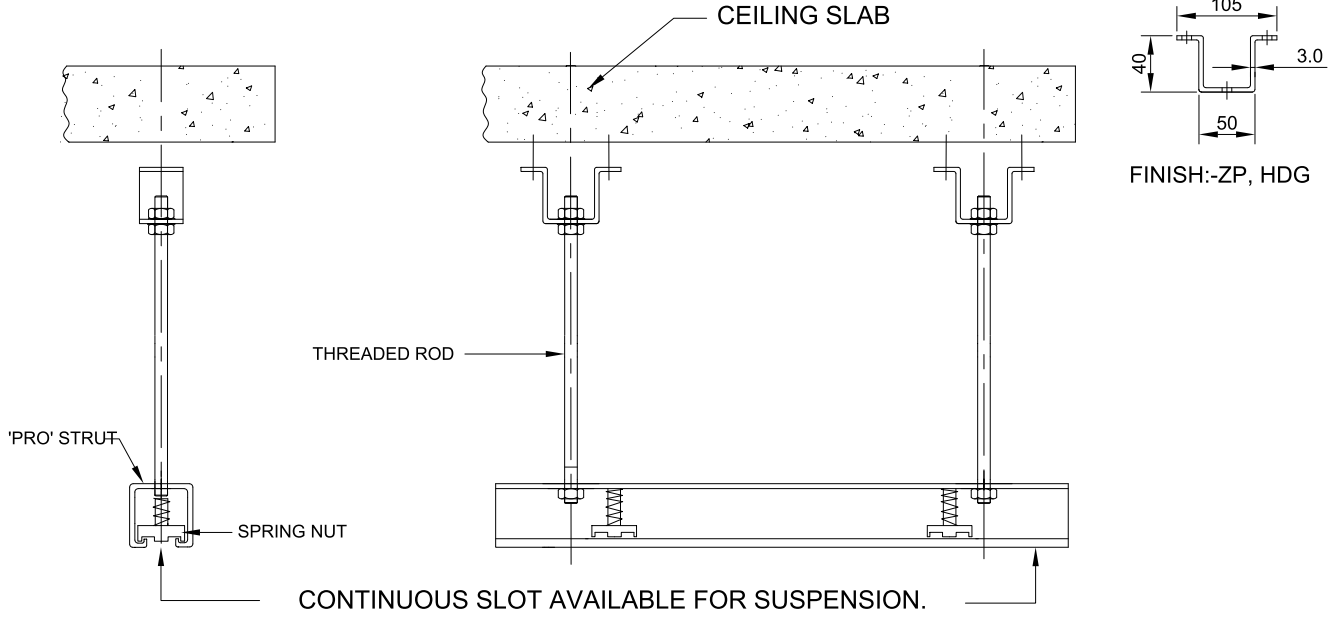
FINISH: ITEMS NO. 1 TO 3 - PG,HDG,SS,PC

ITEMS NO. 4 TO 7 - HDG,SS,PC

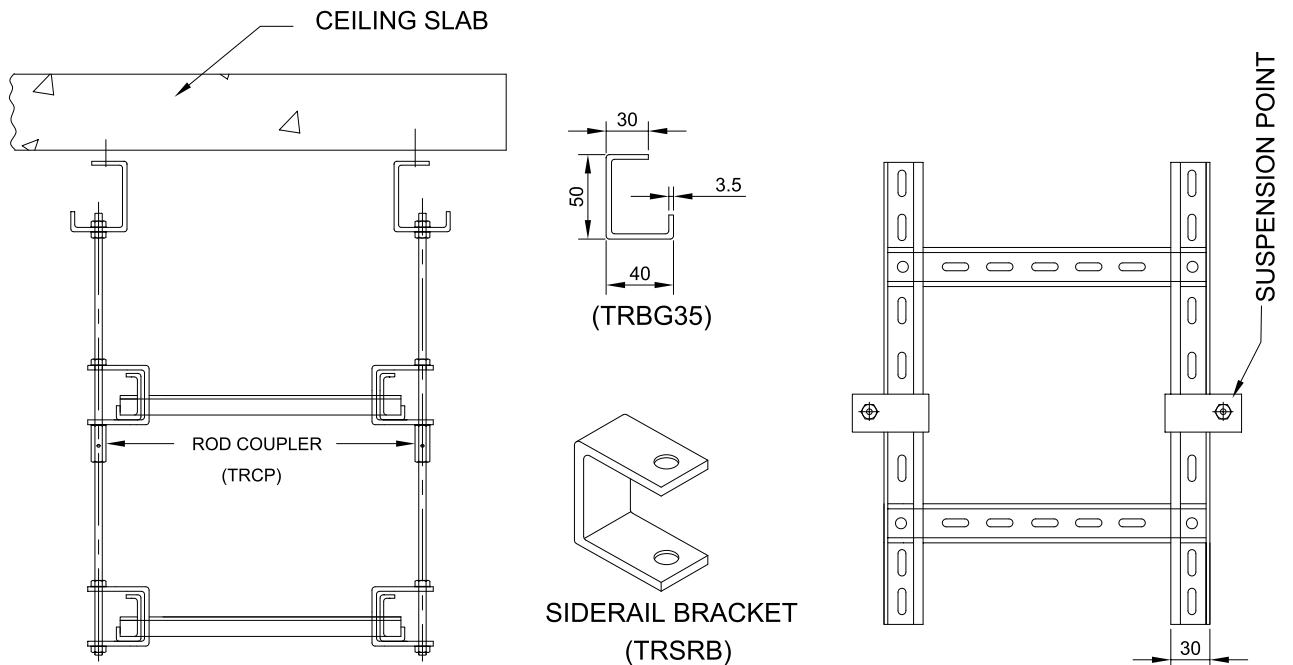
ALL DIMENSION IN mm. - N.T.S.

THREADED RODS SUPPORT APPLICATION

THREADED ROD CEILING BRACKET HAT PROFILE (TRBH30)



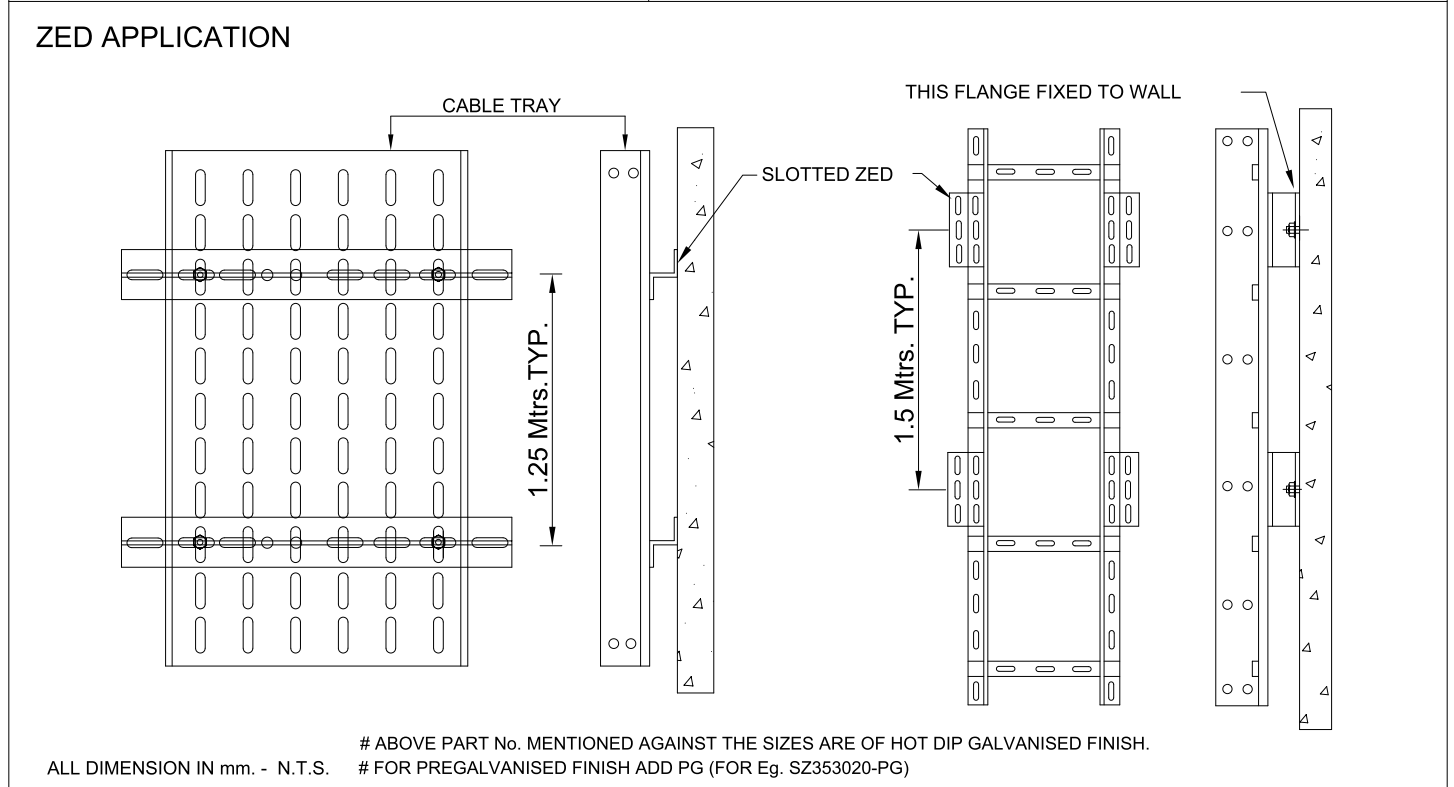
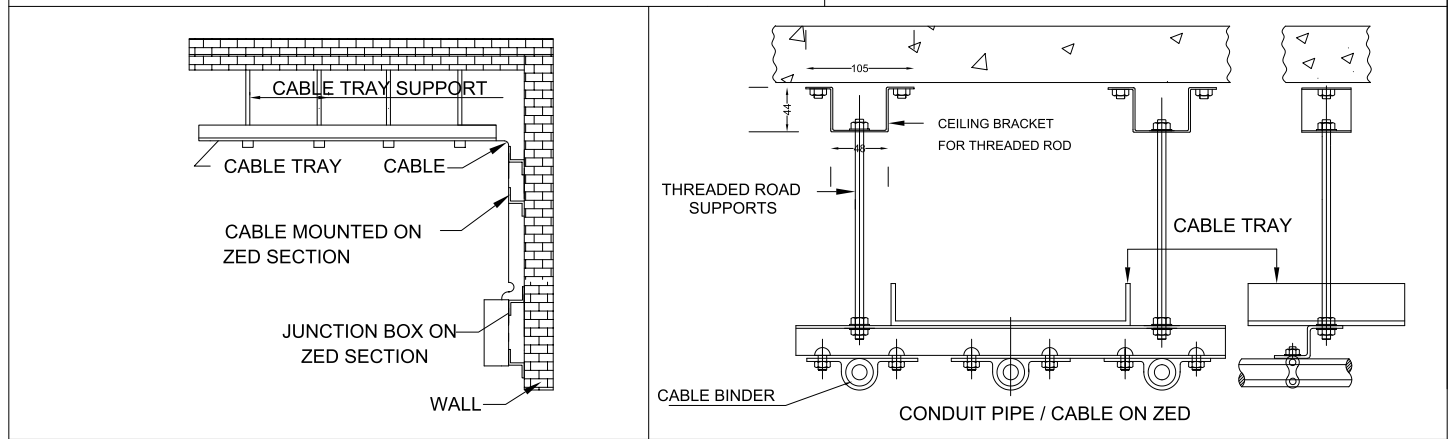
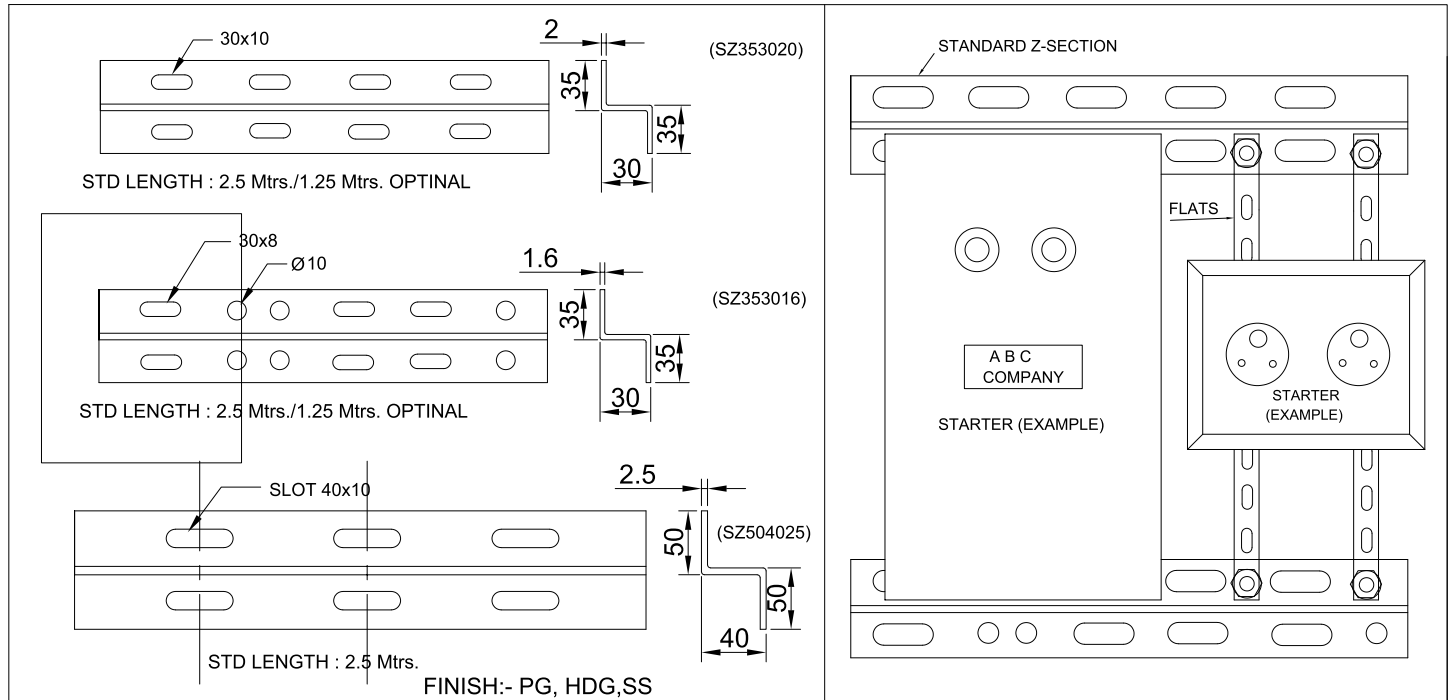
THREADED ROD CEILING BRACKET G-PROFILE (TRBG35)



TRAY SUPPORTED DIRECTLY FROM SIDE RAIL OF LADDER

ALL DIMENSION IN mm. - N.T.S. # FOR PREGALVANISED FINISH ADD PG (FOR Eg. SZ353020-PG)

SLOTTED ZED SECTION & APPLICATIONS

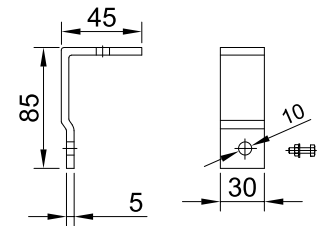
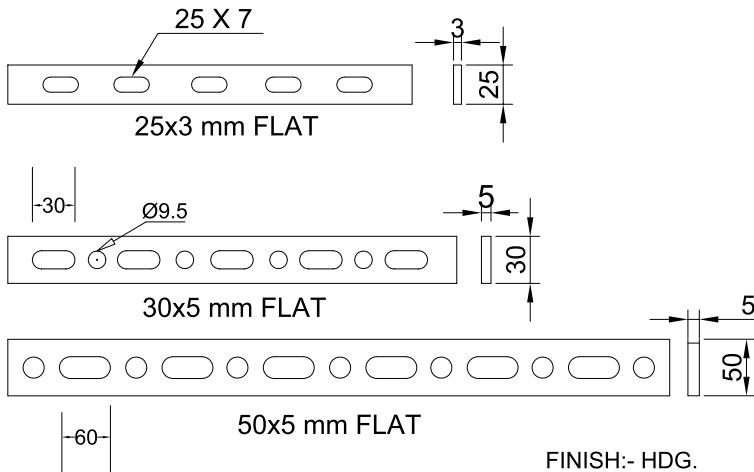


PUNCHED FLAT SUPPORT SYSTEM & APPLICATIONS

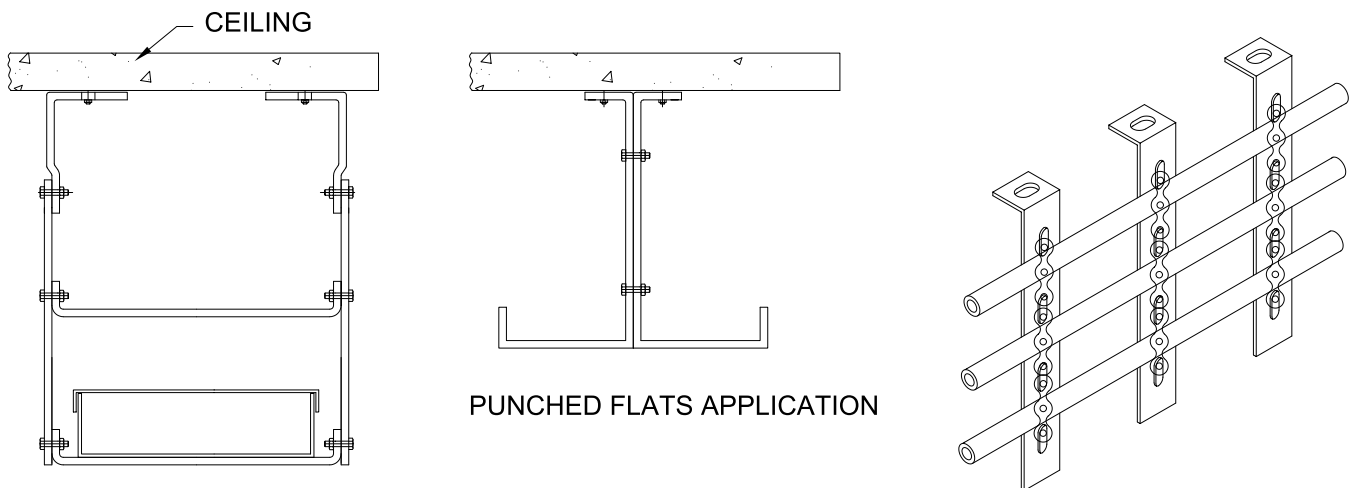
SECTIONS OF PUNCHED FLAT

Refer table at Right hand corner.

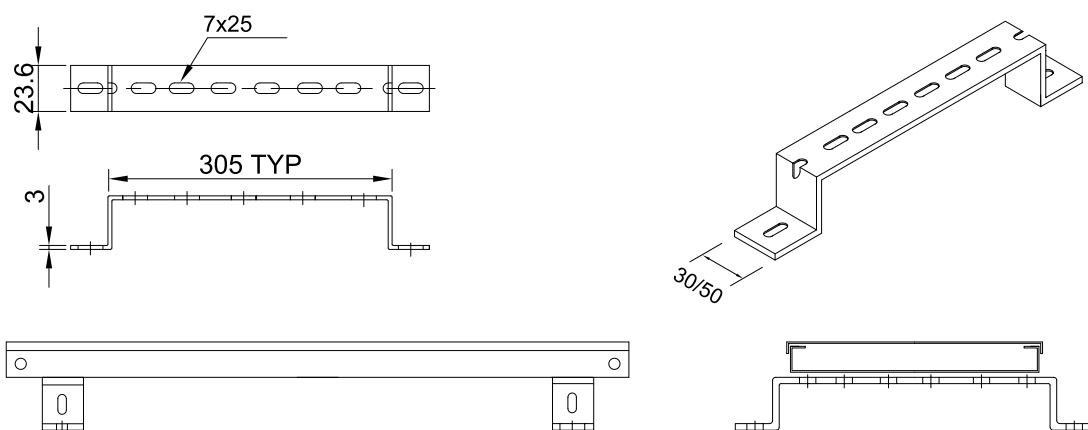
PUNCHED FLAT CEILING BRACKET



PART No.
(Hot Dip Gal.)
PFCBHD



TO BE CUT FROM FULL LENGTH FLAT & ASSEMBLED AT SITE

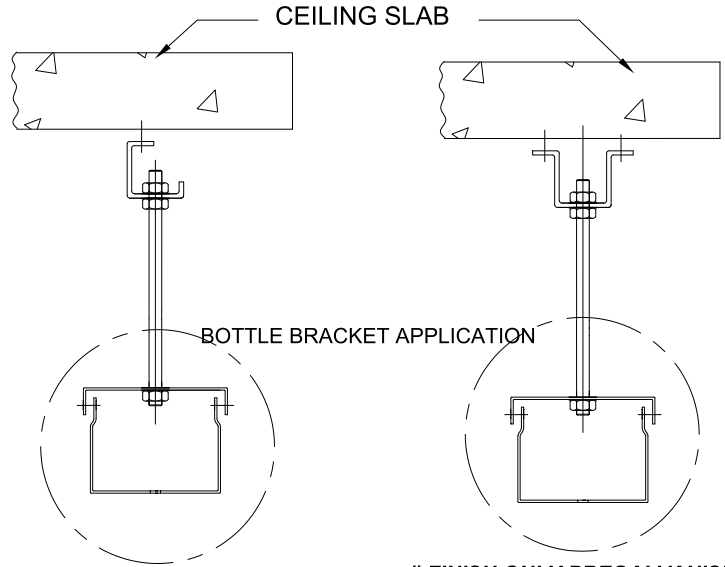
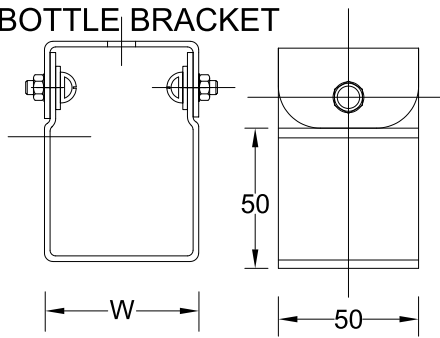


SECTION OF FLATS	PART No. (Hot Dip Gal.)	PART No. (Powder Coated)	Std Length (Mtrs.)
25x3	PF2530 HD	PF2530PC	3
30x5	PF3050 HD	PF3050PC	3
50x5	PF5050 HD	PF5050PC	3

ALL DIMENSION IN mm. - N.T.S.

SPECIAL SUPPORTS

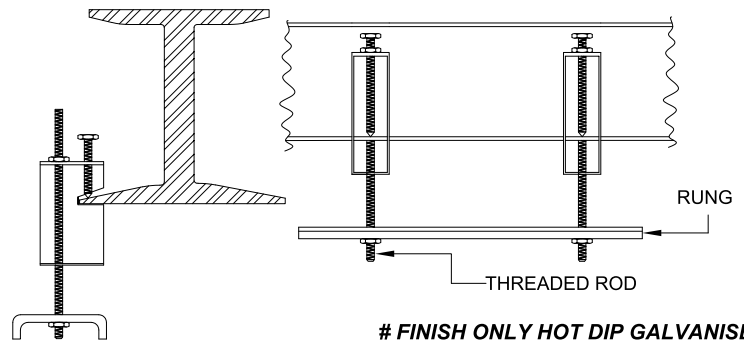
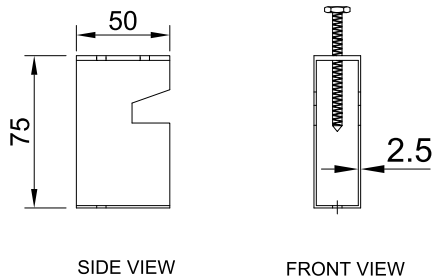
BOTTLE BRACKET



DISCRIPTION	PART No.
BOTTLE BRACKET 50 mm Tray	BTLBKT505020 PG
BOTTLE BRACKET 100mm Tray	BTLBKT1005020 PG
BOTTLE BRACKET 150mm Tray	BTLBKT1505030 PG
BOTTLE BRACKET 200 mm Tray	BTLBKT2005030 PG
BOTTLE BRACKET 300 mm Tray	BTLBKT3005030 PG

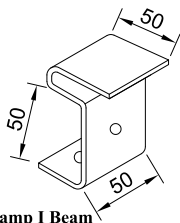
FINISH ONLY PREGALVANISED.

BEAM CLAMP & APPLICATION (BC755025)

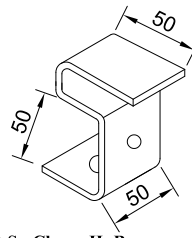


FINISH ONLY HOT DIP GALVANISED.

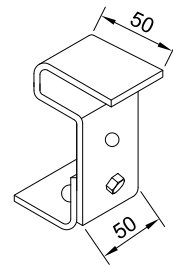
S - CLAMP APPLICATION



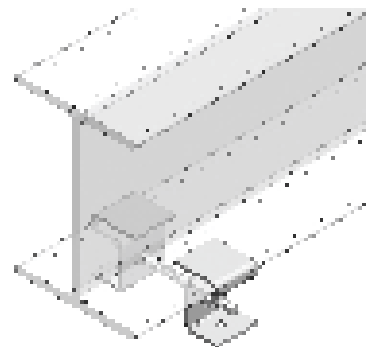
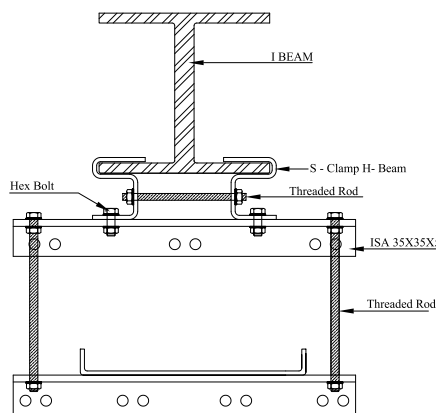
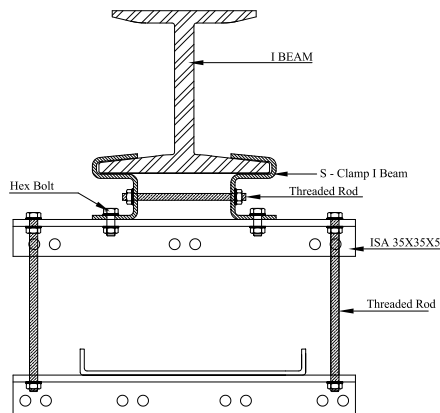
1) S - Clamp I Beam



2) S - Clamp H-Beam



3) S - Clamp Hinge Type .

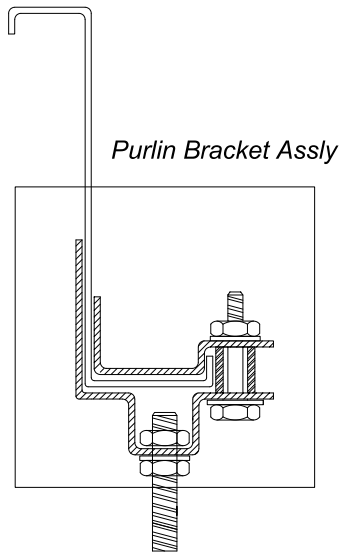


DISCRIPTION	PART No.	PART No. (Hing)	Finish
S- BRACKET I - BEAM	SBI - (Thk.)	SHBI - (Thk.6 / 8 /10mm)	ZP,HDG.
S- BRACKET H - BEAM	SBH - (Thk.)	SHBH - (Thk.6 / 8 /10mm)	ZP,HDG.

ALL DIMENSION IN mm. - N.T.S.

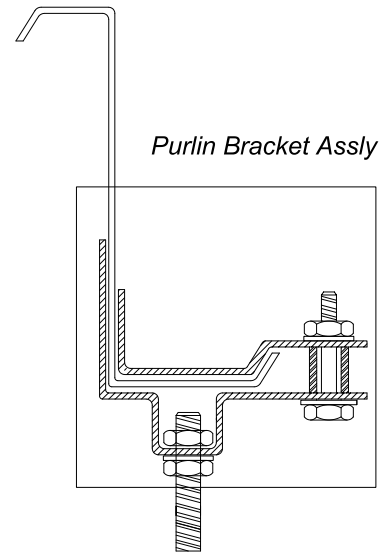
PURLIN BRACKETS

TYP 1



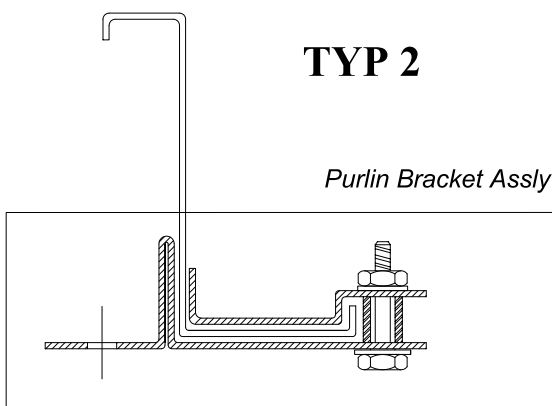
FINISH ONLY ZINC PLATED.

TYP 1A



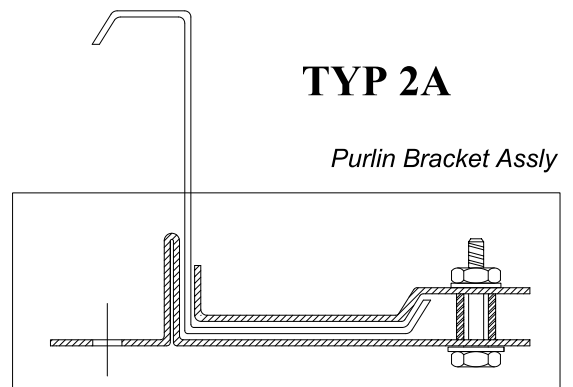
FINISH ONLY ZINC PLATED.

TYP 2



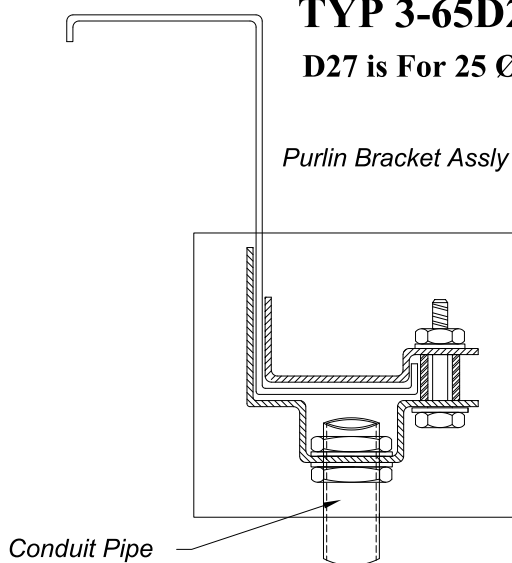
FINISH ONLY ZINC PLATED.

TYP 2A



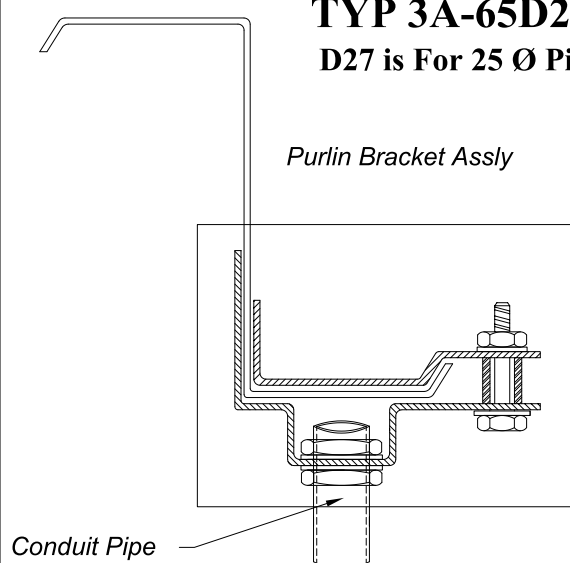
FINISH ONLY ZINC PLATED.

TYP 3-65D27 D27 is For 25 Ø Pipe



FINISH ONLY ZINC PLATED.

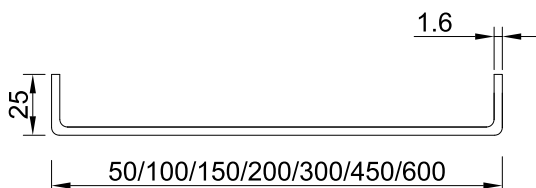
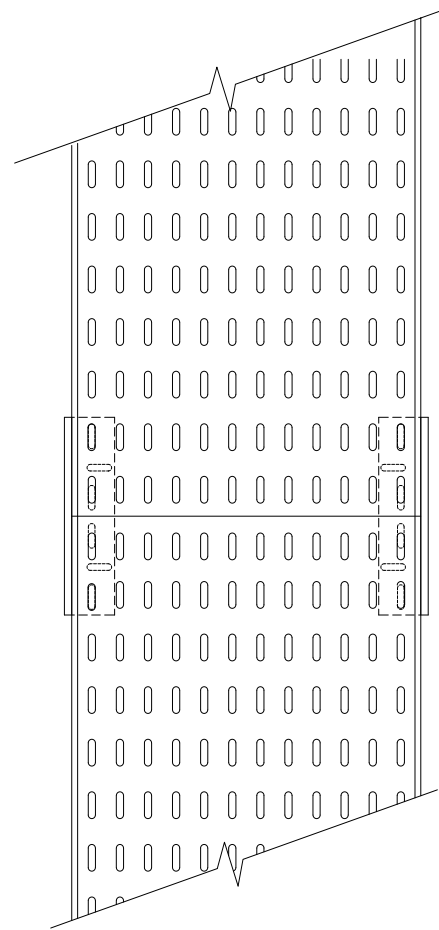
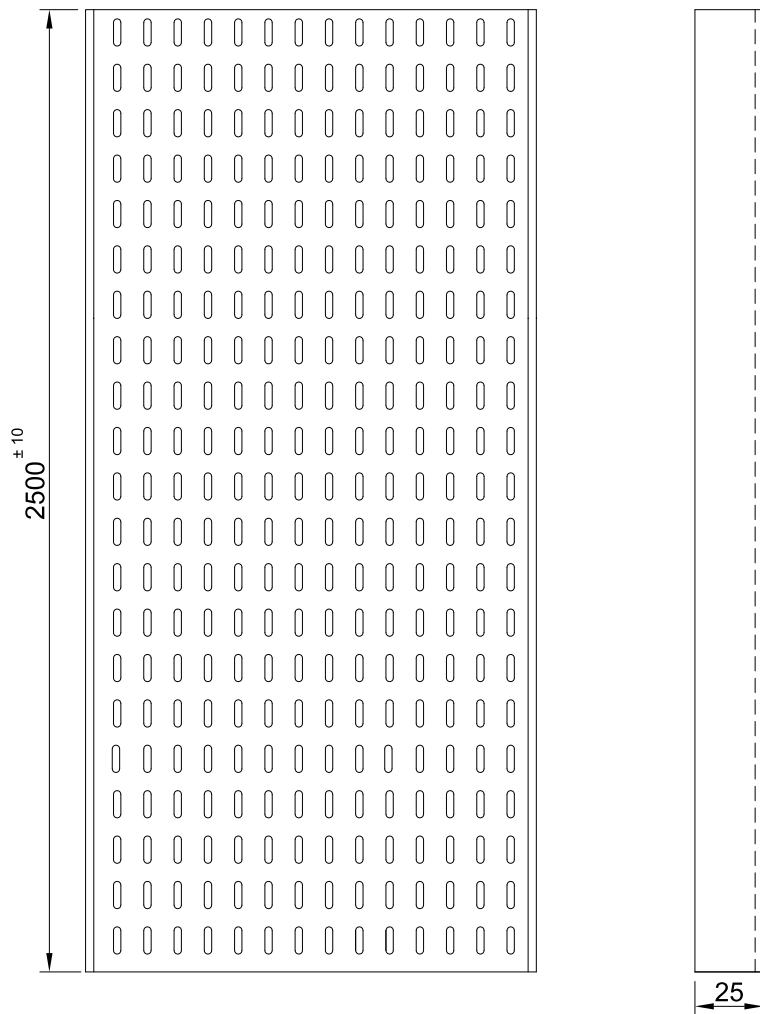
TYP 3A-65D27 D27 is For 25 Ø Pipe



FINISH ONLY ZINC PLATED.

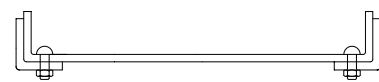
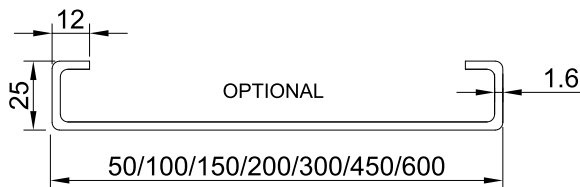
ALL DIMENSION IN mm. - N.T.S.

PERFORATED CABLE TRAYS 25 mm FLANGE SERIES

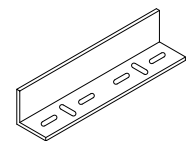
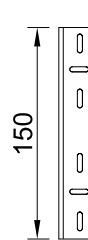


PUNCH PATTERN
1.6 mm : 40x8 mm

PUNCH PATTERN FOR Width 50 to 600mm
1.6mm HD/PC /PG/ SS/AL Trays Only



ASSEMBLY OF TRAYS
WITH COUPLER



ANGLE COUPLER
2 NOS. PER TRAY
WITH 2 FASTENER
M6 x 16mm

NOTE:

FINISH : - HOT DIP GALVANIZED- 48/65 MICRON - NORMAL APPLICATIONS

86 MICRON - FOR CORROSIVE ENVIRONMENT

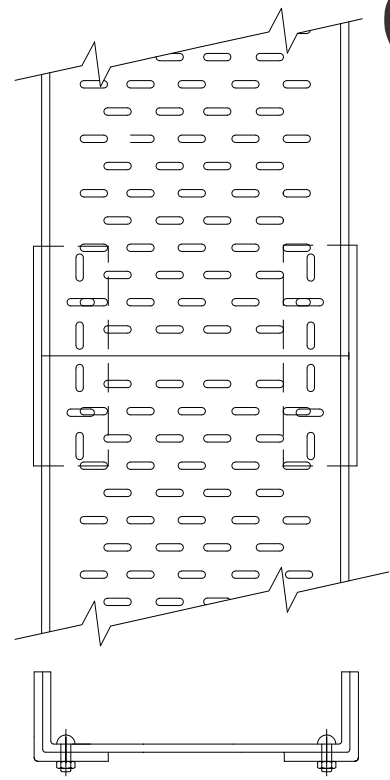
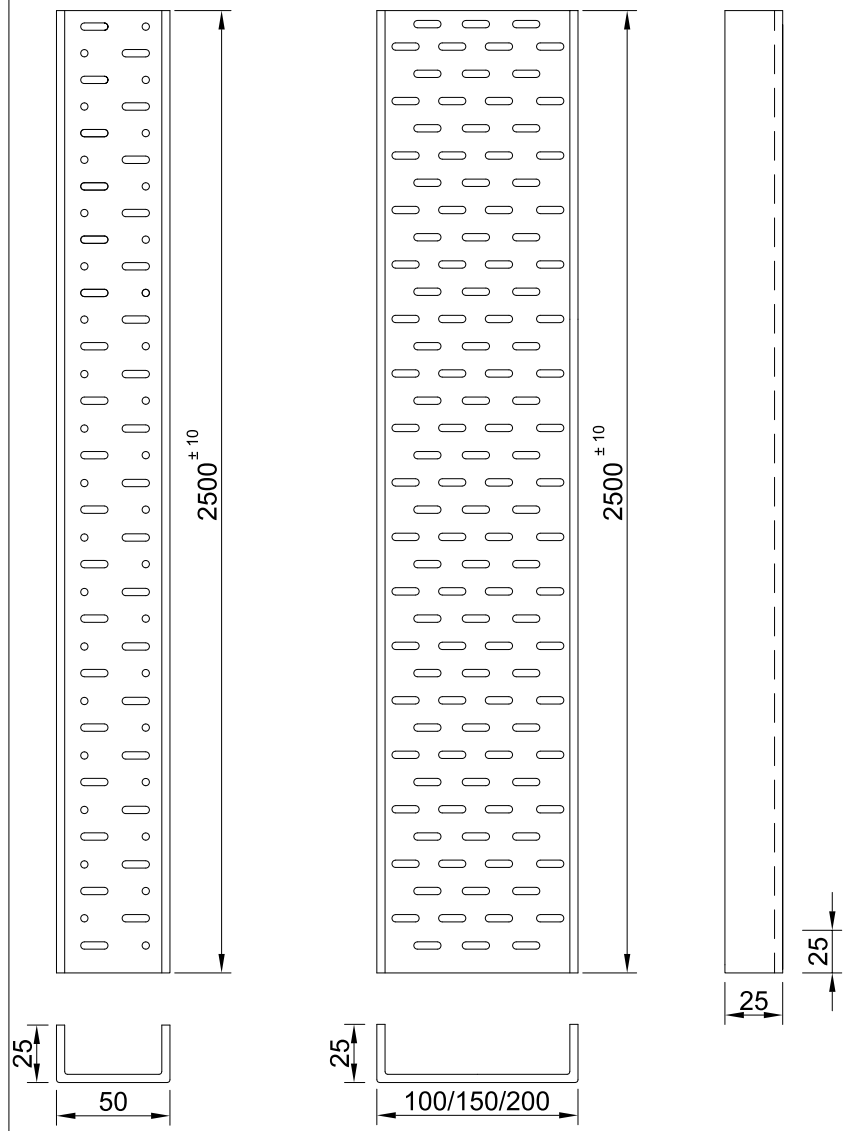
ALTERNATIVE : POWDER COATED PAINT

- * HD. - Hot Dip Galvanized * PG. - Pre Galvanized * AL. - Aluminum
- * PC. - Powder Coated. * SS. - Stainless Steel. * ALM. - Aluminum Marine grade
- * HD+PC.: HD+Powder Coated.

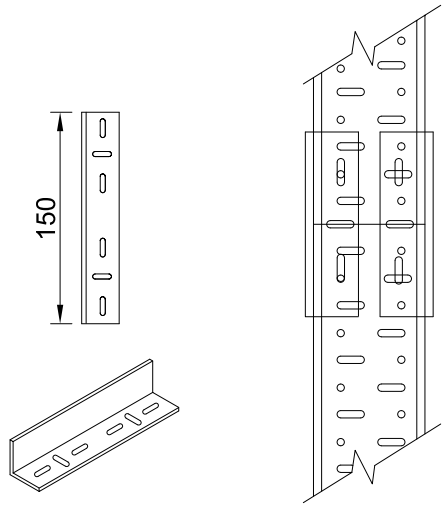
ALL DIMENSION IN mm. - N.T.S.

WIDTH	FLANGE	THK.	PRODUCT CODE
50	25	1.6	PCT 502516
100	25	1.6	PCT 1002516
150	25	1.6	PCT 1502516
200	25	1.6	PCT 2002516
300	25	1.6	PCT 3002516
450	25	1.6	PCT 4502516
600	25	1.6	PCT 6002516

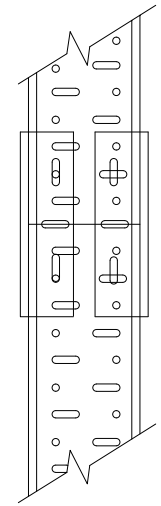
PERFORATED CABLE TRAYS 25 mm FLANGE SERIES



ASSEMBLY OF TRAYS WITH ANGLE COUPLER



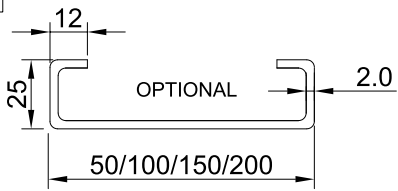
ANGLE COUPLER 2 NOS. PER TRAY WITH 2 FASTENER M6 x 16mm



ASSEMBLY OF TRAYS

PUNCH PATTERN FOR Width 50 to 200mm
2.0/2.5 mm HD/PC Trays Only
SIMILAR PUNCH PATTERN FOR TRAYS 250mm WIDE

PUNCH PATTERN
2.0/2.5 mm : 20x10 mm
& Ø 10mm Round Hole



NOTE:
FINISH : - HOT DIP GALVANIZED- 48/65 MICRON - NORMAL APPLICATIONS
86 MICRON - FOR CORROSIVE ENVIRONMENT
ALTERNATIVE : POWDER COATED PAINT .

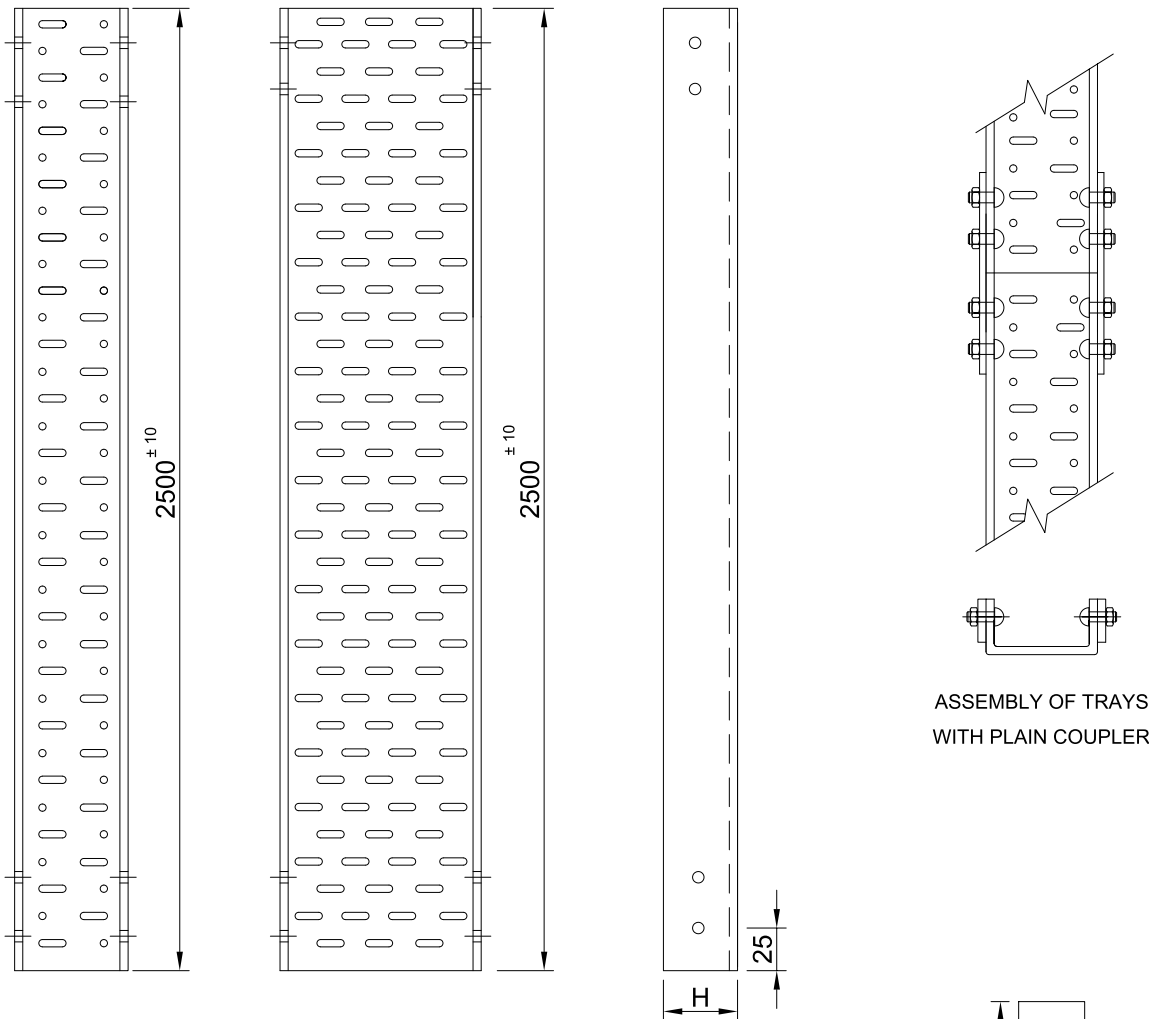
- * HD. - Hot Dip Galvanized
- * PC. - Powder Coated.
- * HD+PC.: HD+Powder Coated.
- * PG. - Pre Galvanized
- * SS. - Stainless Steel.
- * AL. - Aluminum
- * ALM. - Aluminum Marine grade

* WIDTH - 450/600 MADE TO ORDER ONLY.
2.5 THK. MADE TO ORDER ONLY.
REGULAR ITEMS STOCKED.

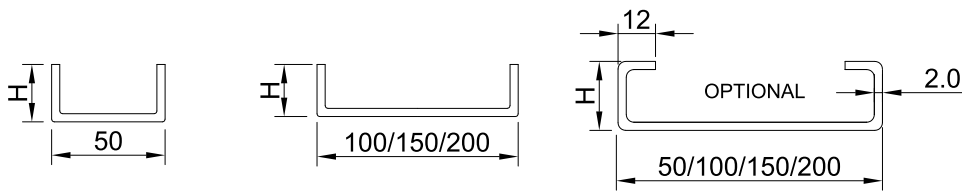
WIDTH	FLANGE	THK.	PRODUCT CODE
50	25	2.0	PCT502520
100	25	2.0	PCT1002520
150	25	2.0	PCT1502520
200	25	2.0	PCT2002520

ALL DIMENSION IN mm. - N.T.S.

PERFORATED CABLE TRAYS 40/50 mm FLANGE SERIES



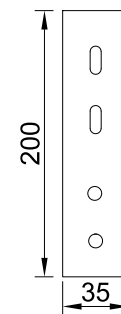
ASSEMBLY OF TRAYS WITH PLAIN COUPLER



PUNCH PATTERN FOR Width 50 to 200mm
2.0/2.5 mm HD/PC Trays Only

SIMILAR PUNCH PATTERN FOR TRAYS 250mm WIDE

PUNCH PATTERN
2.0/2.5 mm : 20x10 mm
& Ø 10mm Round Hole



Coupler Size: 200x35x2 mm

COUPLER PLATE
2 NOS. PER TRAY
WITH 4 FASTENER
8mm x 20mm

NOTE:

FINISH : - HOT DIP GALVANIZED- 48/65 MICRON - NORMAL APPLICATIONS

86 MICRON - FOR CORROSIVE ENVIRONMENT

ALTERNATIVE : POWDER COATED PAINT .

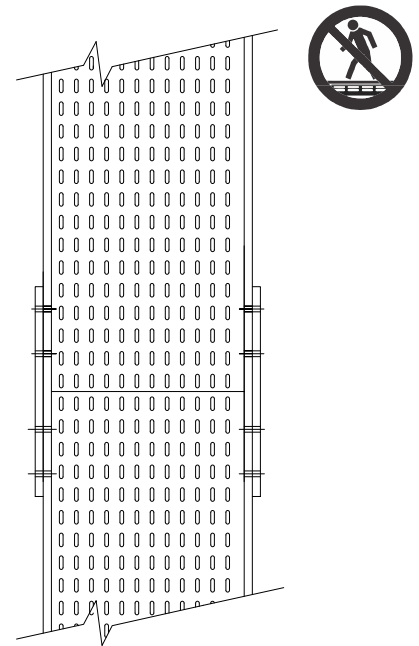
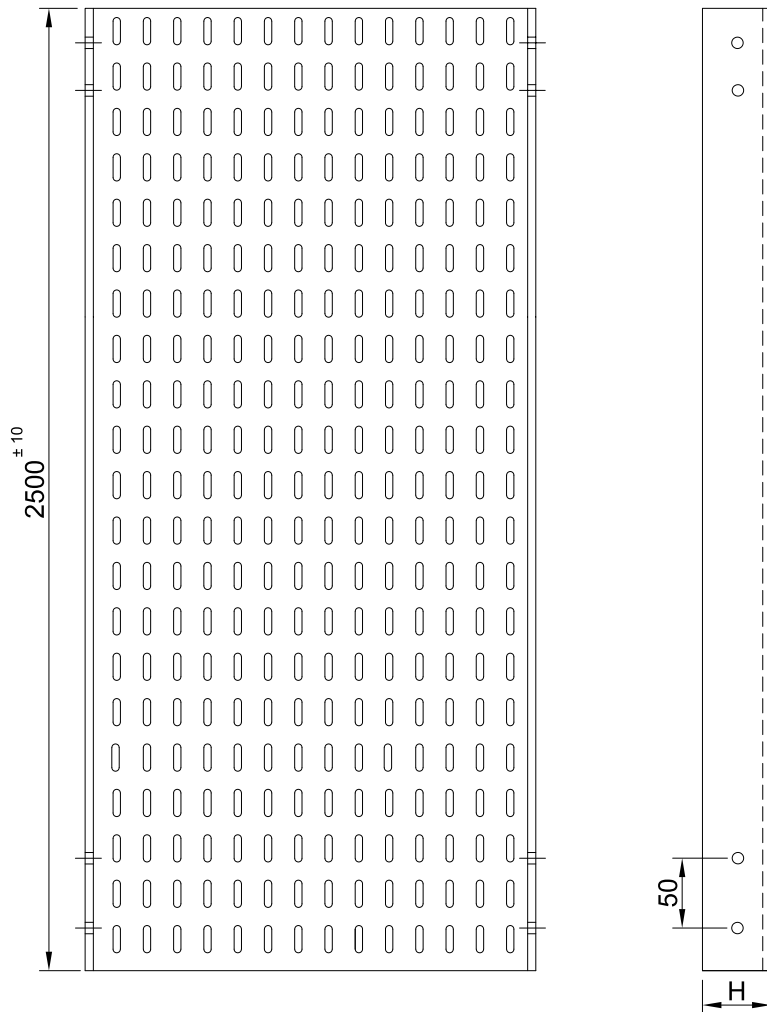
- * HD. - Hot Dip Galvanized
- * PC. - Powder Coated.
- *HD+PC.: HD+Powder Coated.
- * PG. - Pre Galvanized
- * SS. - Stainless Steel.
- * AL. - Aluminum
- *ALM. - Aluminum Marine grade

- * WIDTH - 450/600 MADE TO ORDER ONLY.
- 2.5 THK. MADE TO ORDER ONLY.
- REGULAR ITEMS STOCKED.

ALL DIMENSION IN mm. - N.T.S.

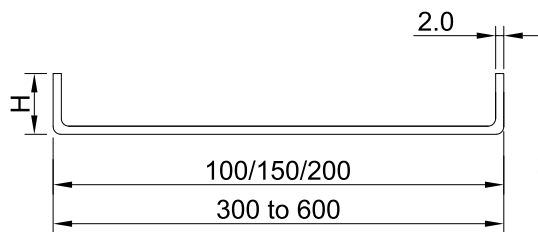
WIDTH	FLANGE (H)	THK.	PRODUCT CODE
50	40/50	2.0	PCT5040/5020
100	40/50	2.0	PCT10040/5020
150	40/50	2.0	PCT15040/5020
200	40/50	2.0	PCT20040/5020

PERFORATED CABLE TRAYS 40/50 mm FLANGE SERIES



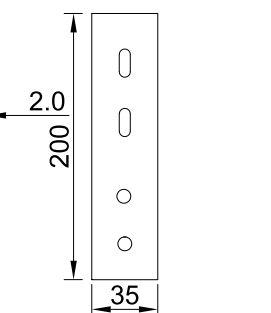
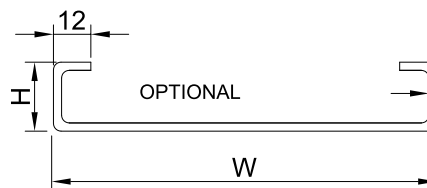
ASSEMBLY OF TRAYS WITH COUPLER

Thk.	Finish			
	PG	HD	PC	SS
1.6	40X8	40X8	40X8	25X8
2.0	25X8	35X8	35X8	25X8
2.5	25X8	30X9	30X9	-
3.0	25X7	25X8	25X8	-



PUNCH PATTERN FOR Width 100 to 200mm
1.6mm HD/SS & 1.6/2.0/2.5 & 3.0mm PG/SS/AL Trays Only

PUNCH PATTERN FOR Width 300 to 600mm
1.6/2.0/2.5 & 3.0mm HD/PC /PG/ SS/AL Trays Only



Coupler Size: 200x35x2 mm

COUPLER PLATE
2 NOS. PER TRAY
WITH 4 FASTENER
8mm x 20mm

NOTE:

FINISH : - HOT DIP GALVANIZED- 48/65 MICRON - NORMAL APPLICATIONS

86 MICRON - FOR CORROSIVE ENVIRONMENT

ALTERNATIVE : POWDER COATED PAINT .

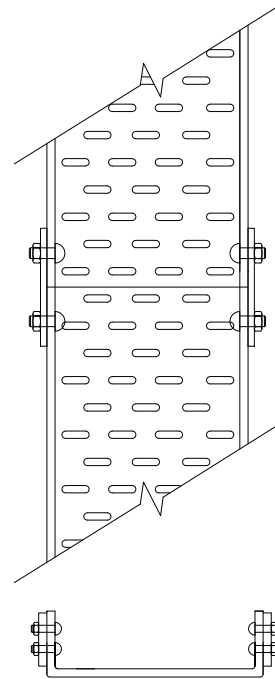
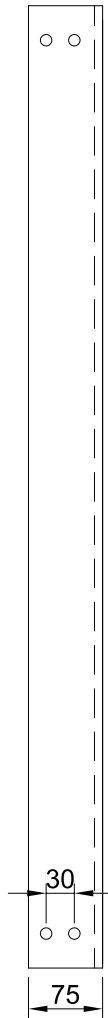
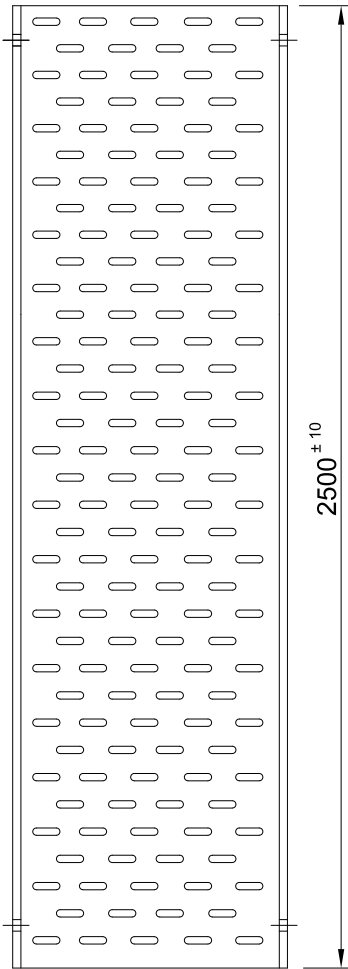
- * HD. - Hot Dip Galvanized
- * PC. - Powder Coated.
- * HD+PC.: HD+Powder Coated.
- * PG. - Pre Galvanized
- * SS. - Stainless Steel.
- * AL. - Aluminum
- * ALM. - Aluminum Marine grade

- * WIDTH - 450/600 MADE TO ORDER ONLY.
- 2.5 THK. MADE TO ORDER ONLY.
- REGULAR ITEMS STOCKED.

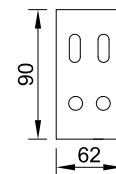
ALL DIMENSION IN mm. - N.T.S.

WIDTH	FLANGE(H)	THK.	PRODUCT CODE
100	40/50	2.0	PCT10040/5020
150	40/50	2.0	PCT15040/5020
200	40/50	2.0	PCT20040/5020
300	40/50	2.0	PCT30040/5020
450	40/50	2.0	PCT45040/5020
600	40/50	2.0	PCT60040/5020

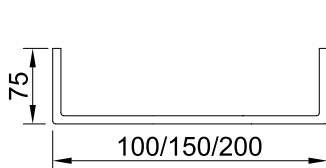
PERFORATED CABLE TRAYS 75 mm FLANGE SERIES



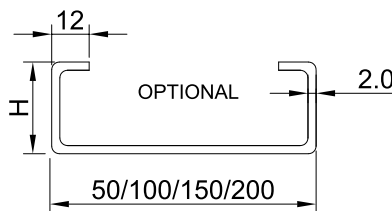
ASSEMBLY OF TRAYS WITH PLAIN COUPLER



Coupler Size: 62x90x2 mm
COUPLER PLATE
2 NOS. PER TRAY
WITH 4 FASTENER
8mm x 20mm



PUNCH PATTERN FOR Width 100 to 200mm
2.0/2.5 mm HD/PC Trays Only



SIMILAR PUNCH PATTERN FOR TRAYS 250mm WIDE

PUNCH PATTERN
2.0/2.5 mm : 20x10 mm
& Ø 10mm Round Hole

NOTE:

FINISH : - HOT DIP GALVANIZED- 48/65 MICRON - NORMAL APPLICATIONS

86 MICRON - FOR CORROSIVE ENVIRONMENT

ALTERNATIVE : POWDER COATED PAINT .

- * HD. - Hot Dip Galvanized
- * PC. - Powder Coated.
- * HD+PC.: HD+Powder Coated.
- * PG. - Pre Galvanized
- * SS. - Stainless Steel.
- * AL. - Aluminum
- * ALM. - Aluminum Marine grade

- * WIDTH - 450/600 MADE TO ORDER ONLY.
- 2.5 THK. MADE TO ORDER ONLY.
- REGULAR ITEMS STOCKED.

ALL DIMENSION IN mm. - N.T.S.

WIDTH	FLANGE	THK.	PRODUCT CODE
100	75	2.0	PCT1007520
150	75	2.0	PCT1507520
200	75	2.0	PCT2007520

PERFORATED CABLE TRAYS 75 mm FLANGE SERIES

2500/3000

75

W

12

H

OPTIONAL

2.0

75

W-10

150

90

62

Coupler Size: 62x90x2 mm

COUPLER PLATE
2 NOS. PER TRAY
WITH 4 FASTENER
8mm x 20mm

PUNCH PATTERN FOR Width 100 to 600mm
1.6mm HD/SS & 1.6/2.0/2.5 & 3.0mm PG/SS/AL Trays Only

Thk.	Finish			
	PG	HD	PC	SS
1.6	40X8	40X8	40X8	25X8
2.0	25X8	35X8	35X8	25X8
2.5	25X8	30X9	30X9	-
3.0	25X7	25X8	25X8	-

NOTE:
FINISH : - HOT DIP GALVANIZED- 48/65 MICRON - NORMAL APPLICATIONS
86 MICRON - FOR CORROSIVE ENVIRONMENT
ALTERNATIVE : POWDER COATED PAINT .

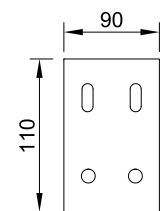
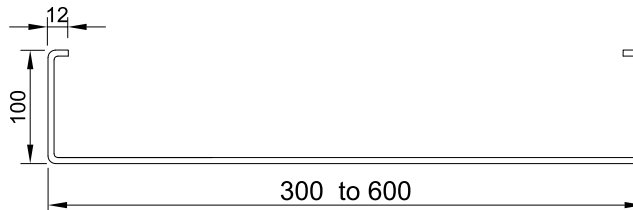
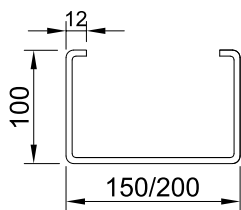
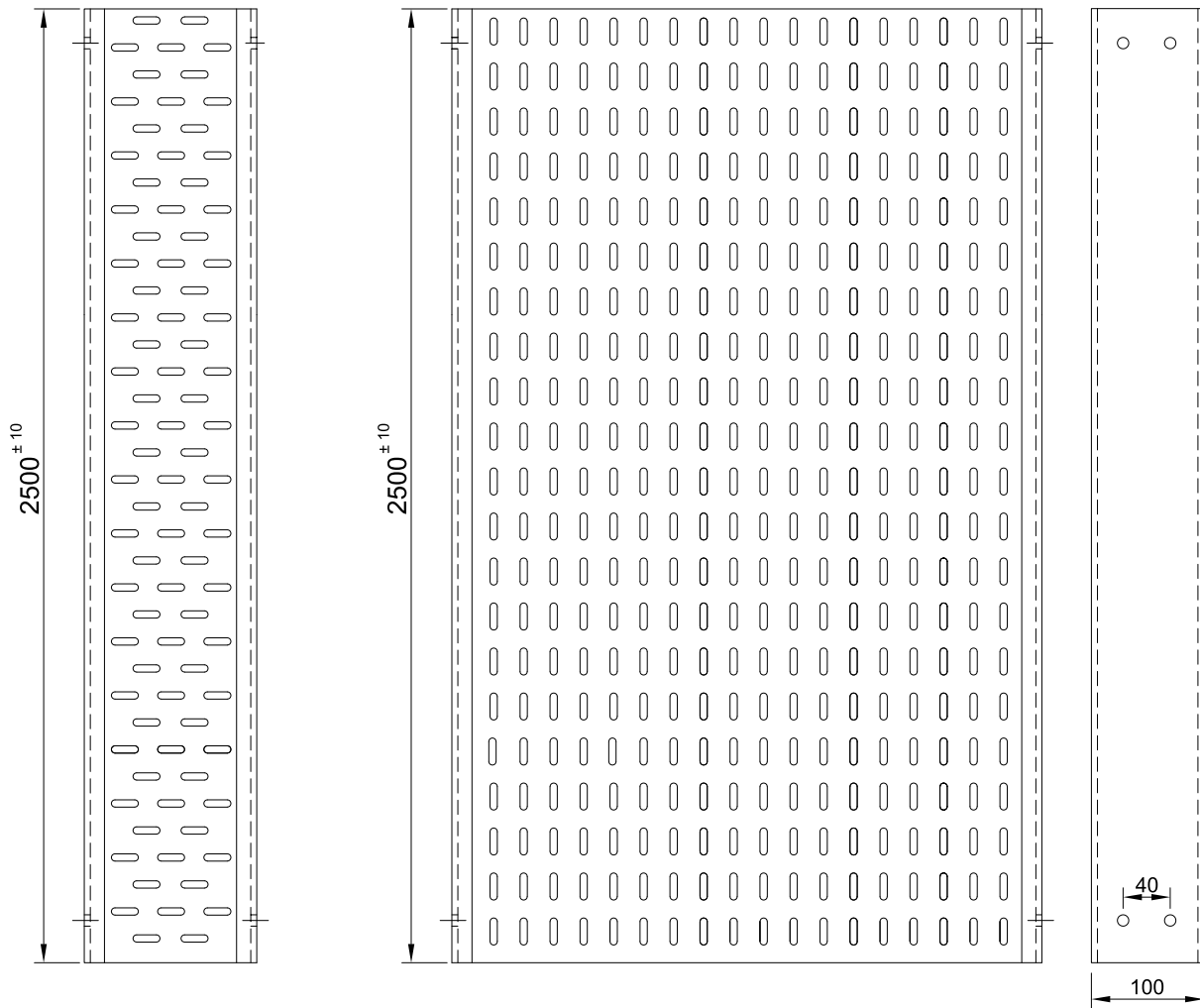
* HD. - Hot Dip Galvanized
* PC. - Powder Coated.
* HD+PC.: HD+Powder Coated.
* PG. - Pre Galvanized
* SS. - Stainless Steel.
* AL. - Aluminum
* ALM. - Aluminum Marine grade

2.5 THK. MADE TO ORDER ONLY.
REGULAR ITEMS STOCKED.

ALL DIMENSION IN mm. - N.T.S.

WIDTH	FLANGE	THK.	PRODUCT CODE
300	75	2.0	PCT3007520
450	75	2.0	PCT4507520
600	75	2.0	PCT6007520

PERFORATED CABLE TRAYS 100 mm FLANGE SERIES



PUNCH PATTERN FOR Width 150 to 200mm
2.0/2.5 mm HD/PC Trays Only

PUNCH PATTERN FOR Width 300 to 600mm
1.6/2.0/2.5 & 3.0mm HD/PC /PG/ SS/AL Trays Only

Coupler Size: 90110x2 mm
COUPLER PLATE
2 NOS. PER TRAY
WITH 4 FASTENER
8mm x 20mm

SIMILAR PUNCH PATTERN FOR TRAYS 250mm WIDE

PUNCH PATTERN MAY VARY				
Thk.	Finish			
	PG	HD	PC	SS
1.6	40X8	40X8	40X8	25X8
2.0	25X8	35X8	35X8	25X8
2.5	25X8	30X9	30X9	-
3.0	25X7	25X8	25X8	-

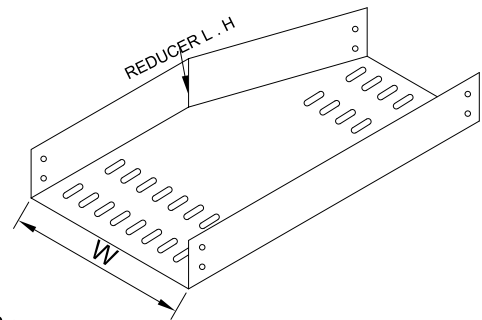
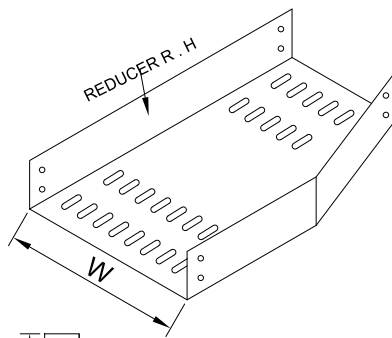
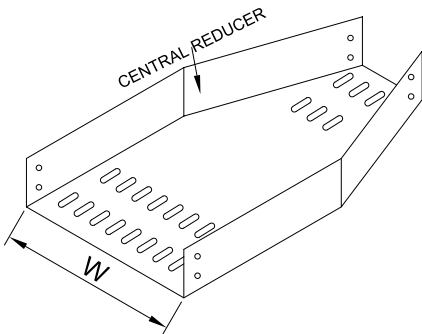
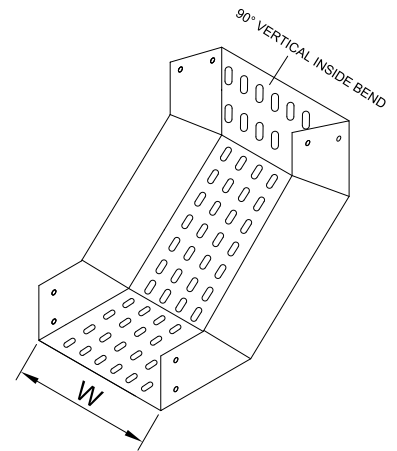
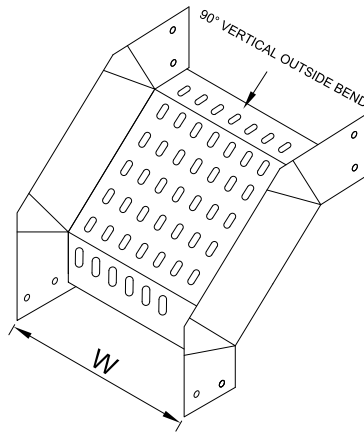
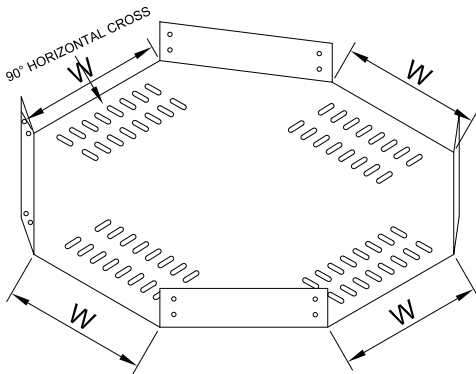
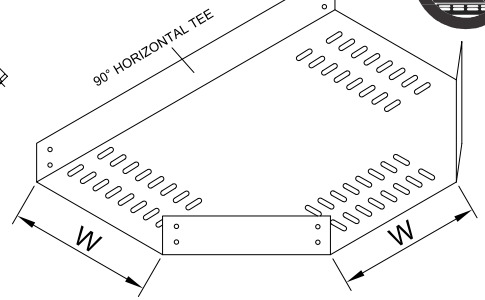
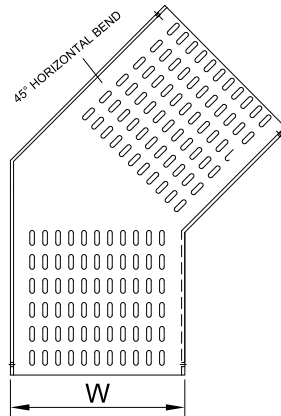
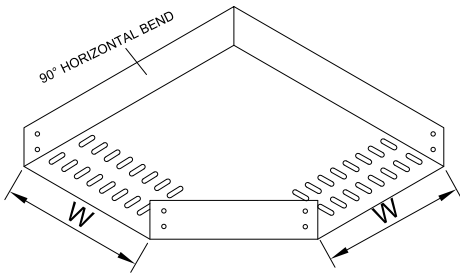
NOTE:
FINISH : - HOT DIP GALVANIZED- 48/65 MICRON - NORMAL APPLICATIONS
86 MICRON - FOR CORROSIVE ENVIRONMENT
ALTERNATIVE : POWDER COATED PAINT .

WIDTH	FLANGE	THK.	PRODUCT CODE
150	100	2.0/2.5	PCT15010020/25
300	100	2.0/2.5	PCT30010020/25
450	100	2.0/2.5	PCT45010020/25
600	100	2.0/2.5	PCT60010020/25

* HD. - Hot Dip Galvanized
* PC. - Powder Coated.
*HD+PC.: HD+Powder Coated.
* PG. - Pre Galvanized
* SS. - Stainless Steel.
* AL. - Aluminum
*ALM. - Aluminum Marine grade
ALL DIMENSION IN mm. - N.T.S.

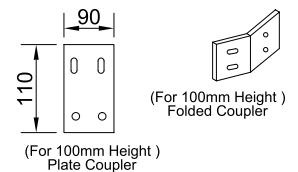
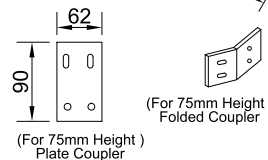
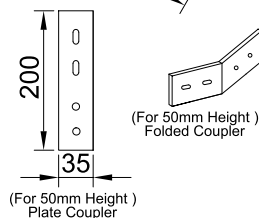
2.5 THK. MADE TO ORDER ONLY.
REGULAR ITEMS STOCKED.

ACCESSORIES FOR PERFORATED CABLE TRAY



Tray Height	Coupler Size	Hardware
50mm	35x200mm	M8X20mm
75mm	62x90mm	M8X20mm
100mm	90x110mm	M8X20mm

Fasteners : 04 Nos per Coupler
 Finish : Electro - Zinc Plated.
 Optional SS-304,SS-316



Finish:
 * HD. - Hot Dip Galvanized
 * PC. - Powder Coated.
 * HD+PC.: HD+Powder Coated.
 * PG. - Pre Galvanized
 * SS. - Stainless Steel.
 * AL. - Aluminum
 * ALM. - Aluminum Marine grade
 ALL DIMENSION IN mm. - N.T.S.

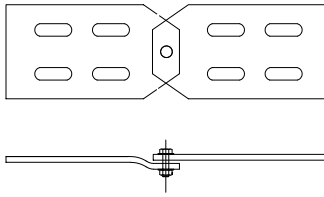
Plate Coupler
 For 45°HB,VBO,VBI-2 Nos. per Bend
 For 90°HB,TEE,RLH,RRH.-1Nos. per Bend

Folded Coupler
 For 90°HB,RCR -2 Nos. per Bend
 For 90°TEE -4 Nos. per Bend
 For 90°CROSS -8 Nos. per Bend
 For RLH,RRH -1 Nos. per Bend

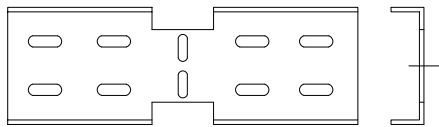
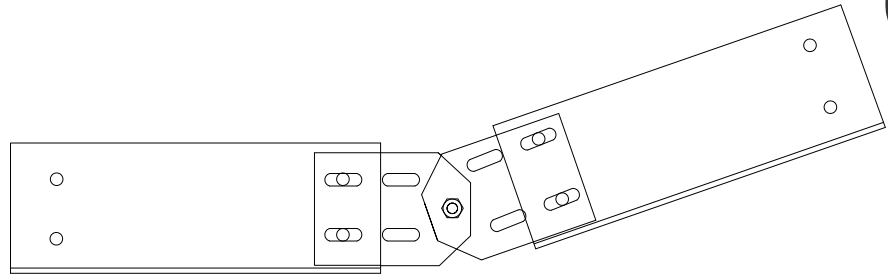
Standard Bending Radius : R-300,R-450 & R-600
 Special Bending Radius : R-900 , R-1200, R-1500

COVER MATERIALS
 UNLESS SPECIFICALLY AGREED
 COVER SHALL BE OF
 PREGAVANISED SHEET STEEL
 FOR TRAY UPTO 200 mm WIDTH
 1.2mm THICK.
 FOR TRAY 300 TO 750 mm WIDTH
 1.5 mm THICK.

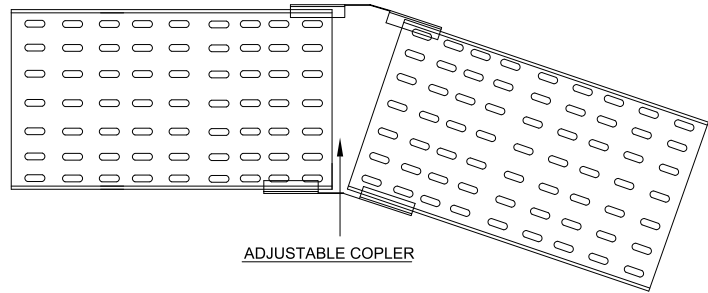
ACCESSORIES FOR PERFORATED CABLE TRAY



ADJUSTABLE VERTICAL COUPLER
TO SUIT PCT DEPTHS 50,75, & 100

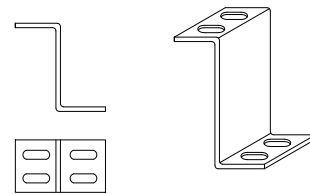
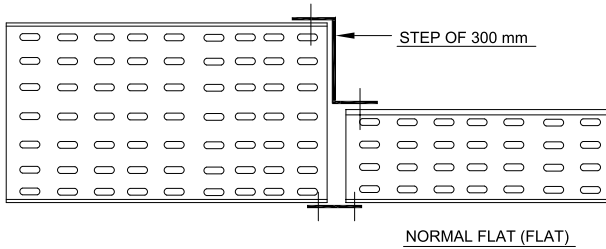


ADJUSTABLE HORIZONTAL COUPLER
TO SUIT PCT DEPTHS 50,75, & 100

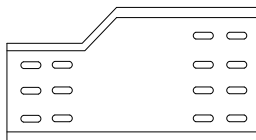


ADJUSTABLE COUPLER

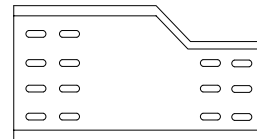
REDUCTION ARRANGEMENT



OFFSET COUPLER



REDUCER L.H. WITHOUT COVER

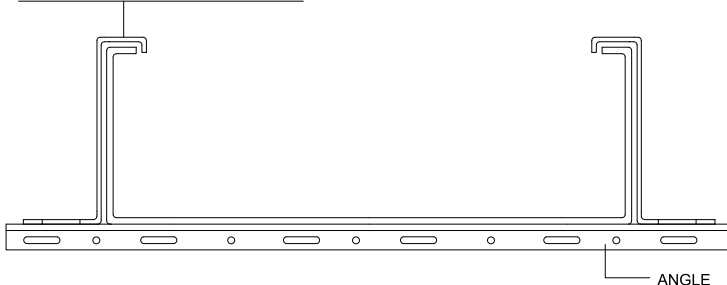


REDUCER R.H. WITHOUT COVER

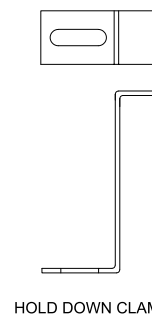
Finish:

- * HD. - Hot Dip Galvanized
- * PC. - Powder Coated.
- * HD+PC.: HD+Powder Coated.
- * PG. - Pre Galvanized
- * SS. - Stainless Steel.
- * AL. - Aluminum
- * ALM. - Aluminum Marine grade

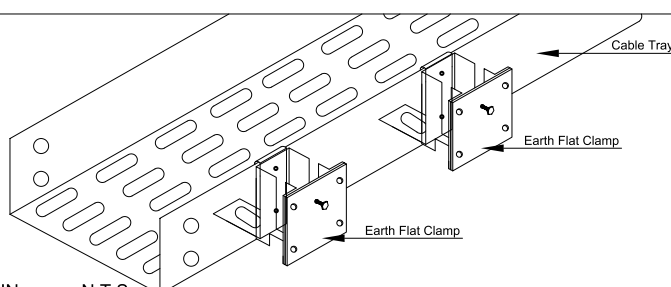
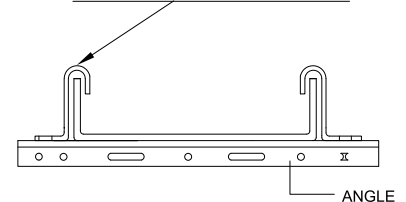
HOLD DOWN CLAMP FOR 100 D PCT



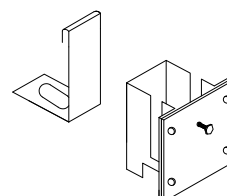
HOLD DOWN CLAMP



HOLD DOWN CLAMP FOR 50 D PCT



EARTH FLAT CLAMP WITH PERFORATED CABLE TRAY



Earth Flat Clamp

Finish:

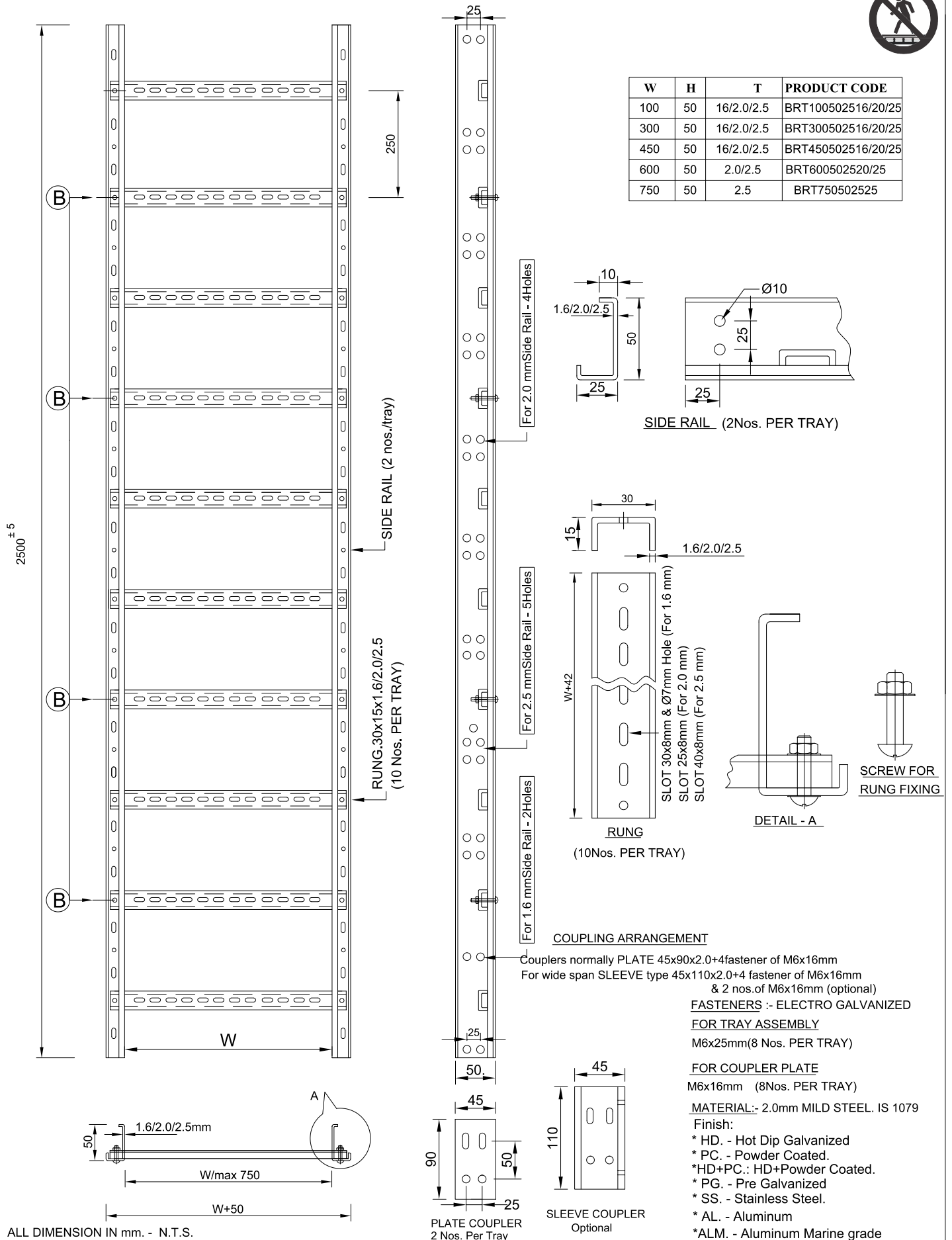
- * PG. - Pre Galvanized

ALL DIMENSION IN mm. - N.T.S.

BOLTED RUNG LADDER TRAY 50 mm FLANGE SERIES



W	H	T	PRODUCT CODE
100	50	16/2.0/2.5	BRT100502516/20/25
300	50	16/2.0/2.5	BRT300502516/20/25
450	50	16/2.0/2.5	BRT450502516/20/25
600	50	2.0/2.5	BRT600502520/25
750	50	2.5	BRT750502525

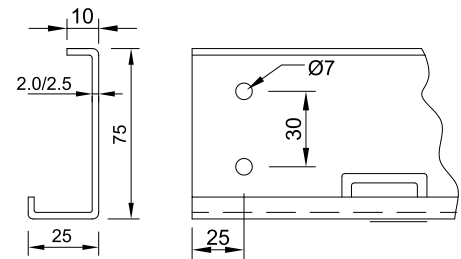
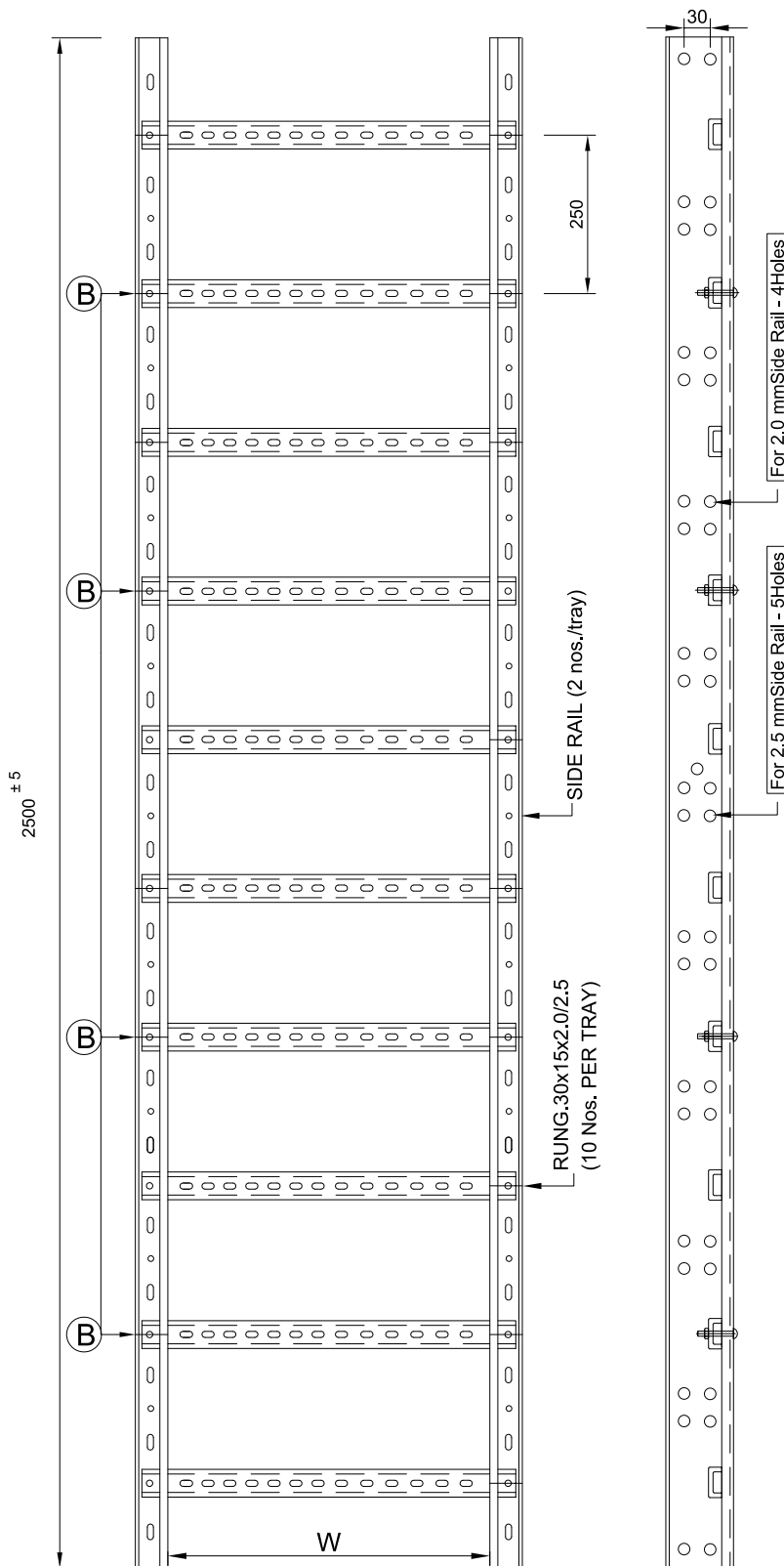


ALL DIMENSION IN mm. - N.T.S.

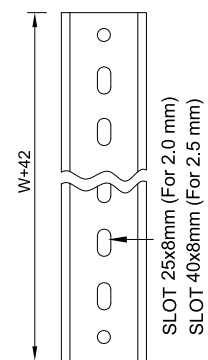
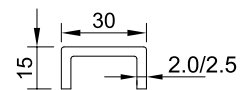
BOLTED RUNG LADDER TRAY 75 mm FLANGE SERIES



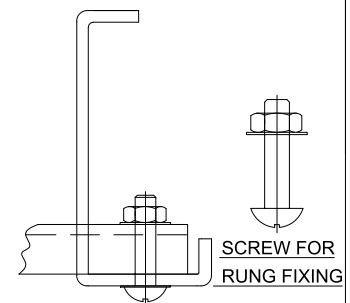
W	H	T	PRODUCT CODE
150	75	2.0/2.5	BRT150752520/25
300	75	2.0/2.5	BRT300752520/25
450	75	2.0/2.5	BRT450752520/25
600	75	2.0/2.5	BRT600752520/25
750	75	2.0/2.5	BRT750752520/25
900	75	2.0/2.5	BRT900752520/25
1000	75	2.0/2.5	BRT1000752520/25



SIDE RAIL (2Nos. PER TRAY)



RUNG (10Nos. PER TRAY)



DETAIL - A

COUPLING ARRANGEMENT

Couplers normally PLATE 62x90x2.0+4fastener of 8x20
For wide span SLEEVE type 62x110x2.0+4 fastener of 8x20
& 2 nos.of M6x16mm (optional)

FASTENERS :- ELECTRO GALVANIZED

FOR TRAY ASSEMBLY
M6x25mm(8 Nos. PER TRAY)

FOR COUPLER PLATE
M8x20mm (8Nos. PER TRAY)

MATERIAL:-
MILD STEEL AS PER IS 1079.
ALUMINIUM SHEET AS PER IS 737.

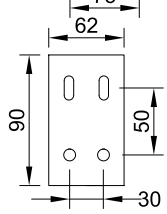
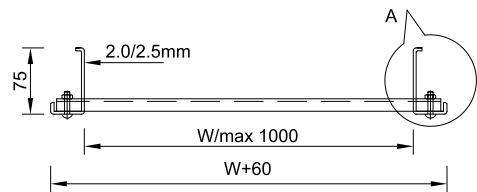
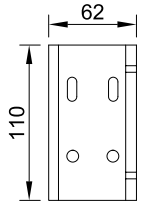


PLATE COUPLER
2 Nos. Per Tray



SLEEVE COUPLER
Optional

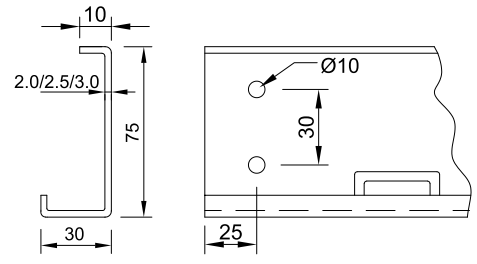
- Finish:**
- * HD. - Hot Dip Galvanized
 - * PC. - Powder Coated.
 - * HD+PC.: HD+Powder Coated.
 - * PG. - Pre Galvanized
 - * SS. - Stainless Steel.
 - * AL. - Aluminum
 - * ALM. - Aluminum Marine grade

ALL DIMENSION IN mm. - N.T.S.

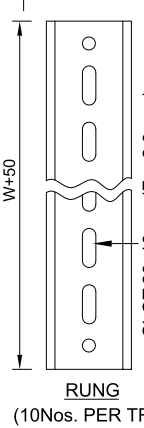
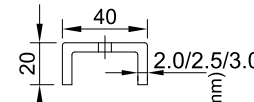
BOLTED RUNG LADDER TRAY 75 mm FLANGE SERIES



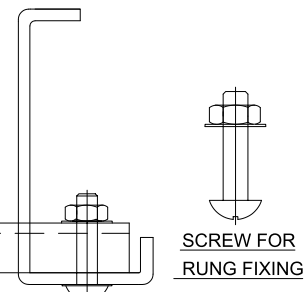
W	H	T	PRODUCT CODE
150	75	2.0/2.5/3.0	BRT150753020/25/30
300	75	2.0/2.5/3.0	BRT300753020/25/30
450	75	2.0/2.5/3.0	BRT450753020/25/30
600	75	2.0/2.5/3.0	BRT600753020/25/30
750	75	2.0/2.5/3.0	BRT750753020/25/30
900	75	2.0/2.5/3.0	BRT900753020/25/30
1200	75	2.5/3.0	BRT1200753025/30
1500	75	3.0	BRT1500753030



SIDE RAIL (2Nos. PER TRAY)



RUNG (10Nos. PER TRAY)



DETAIL - A

COUPLING ARRANGEMENT

Couplers normally PLATE 62x90x2.5+4fastener of 8x20
 For wide span SLEEVE type 62x110x2.5+4 fastener of M8x20.
 & 2 nos. of M6x16mm (optional)

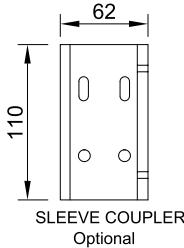
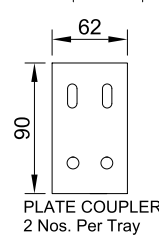
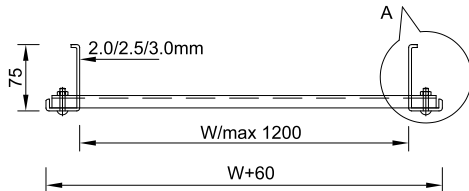
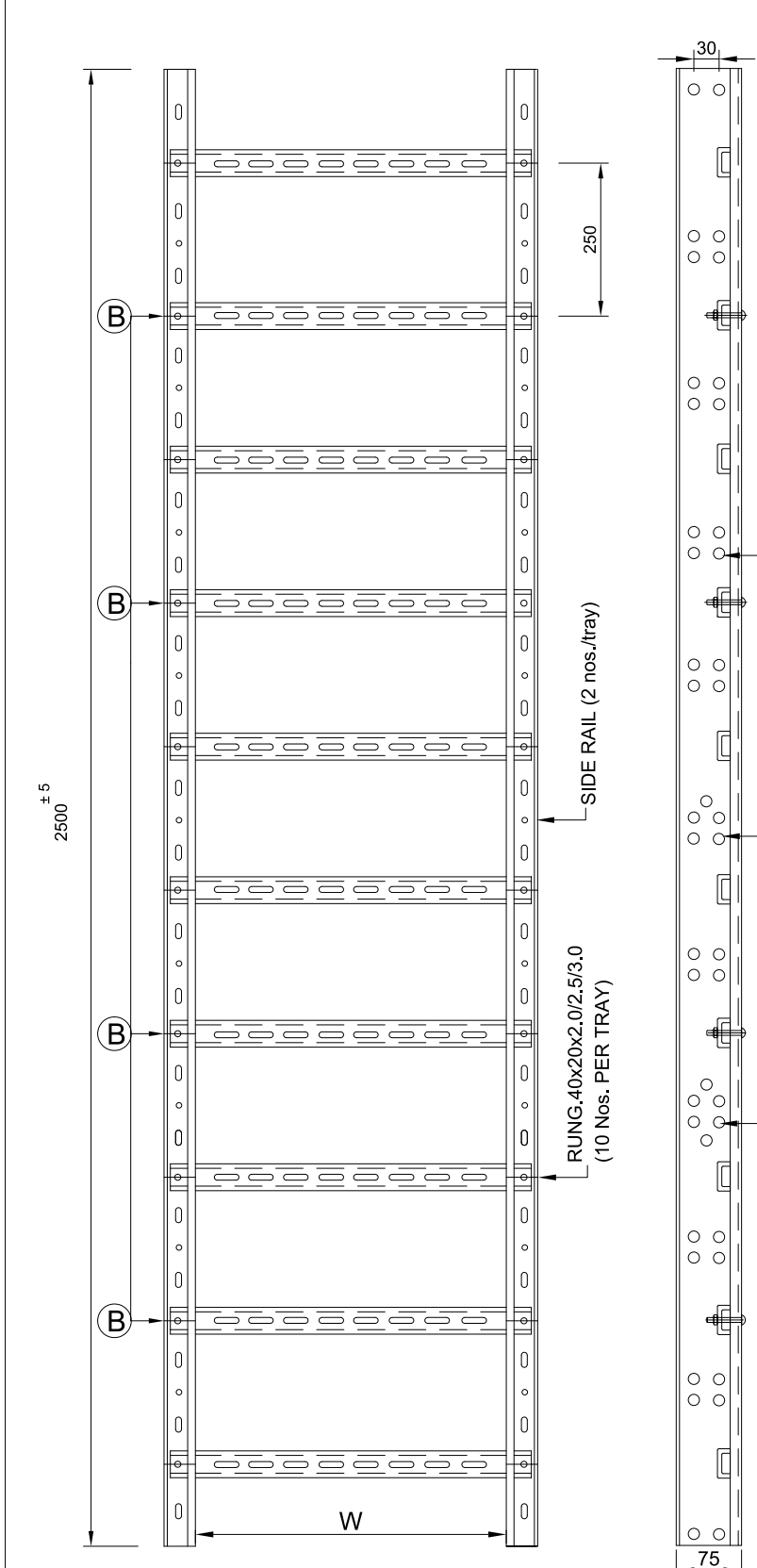
FASTENERS :- ELECTRO GALVANIZED

FOR TRAY ASSEMBLY
 M8x35mm (8 Nos. PER TRAY)

FOR COUPLER PLATE
 M8x20mm (8Nos. PER TRAY)

MATERIAL:-
 MILD STEEL AS PER IS 1079.
 ALUMINIUM SHEET AS PER IS 737.

- Finish:**
- * HD. - Hot Dip Galvanized
 - * PC. - Powder Coated.
 - * HD+PC.: HD+Powder Coated.
 - * PG. - Pre Galvanized
 - * SS. - Stainless Steel.
 - * AL. - Aluminum
 - * ALM. - Aluminum Marine grade

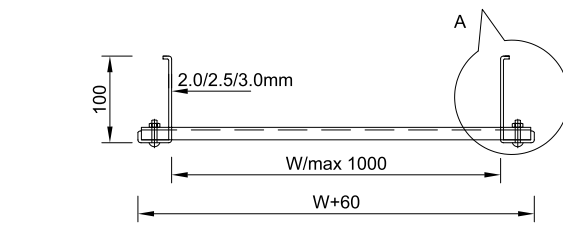
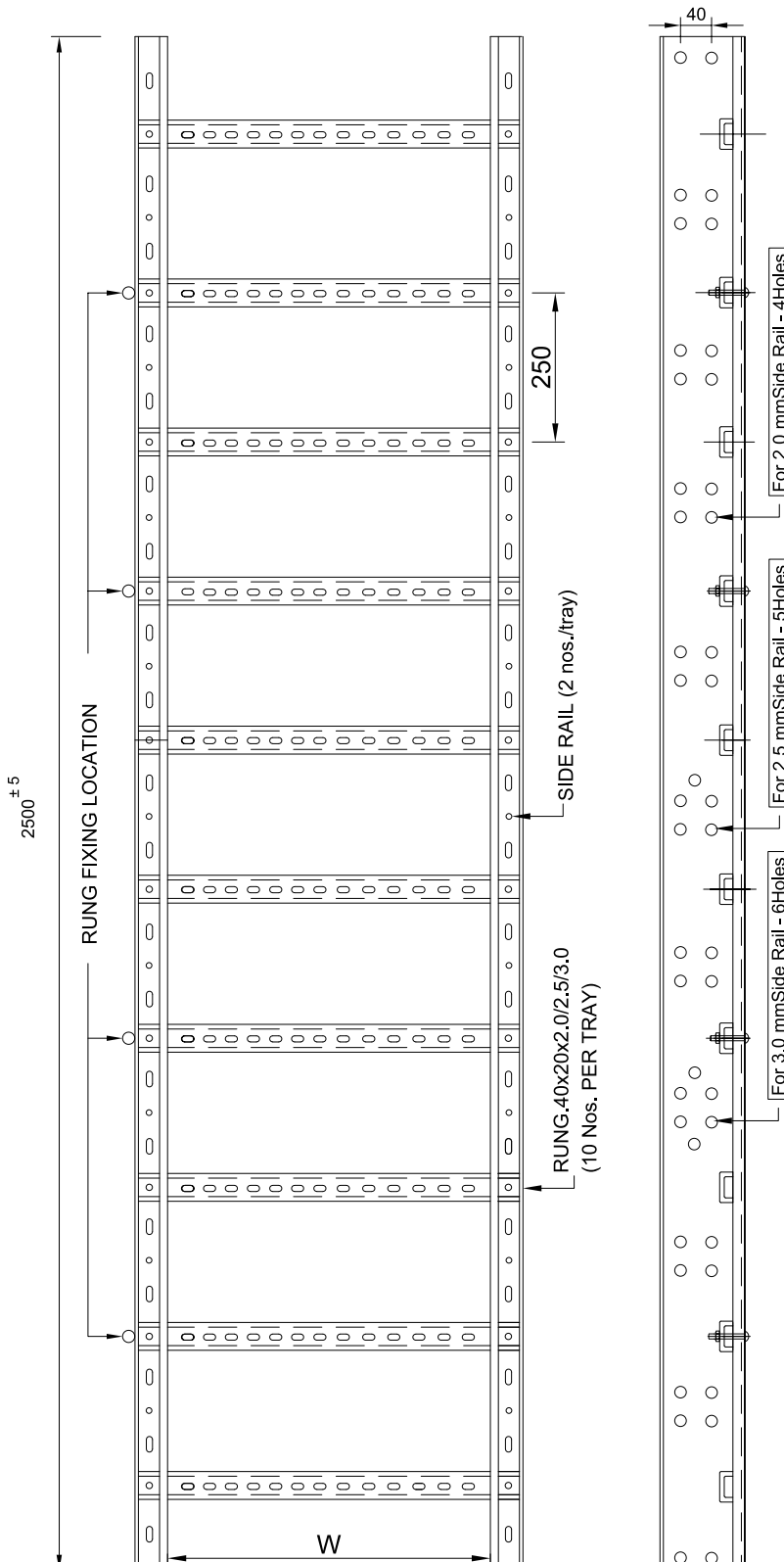


ALL DIMENSION IN mm. - N.T.S.

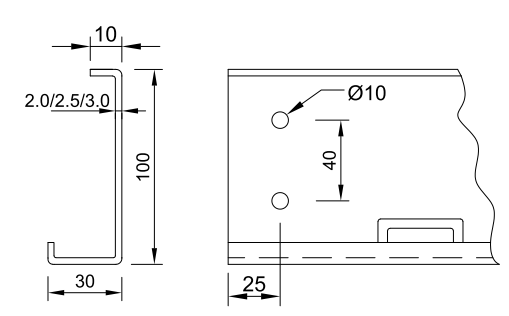
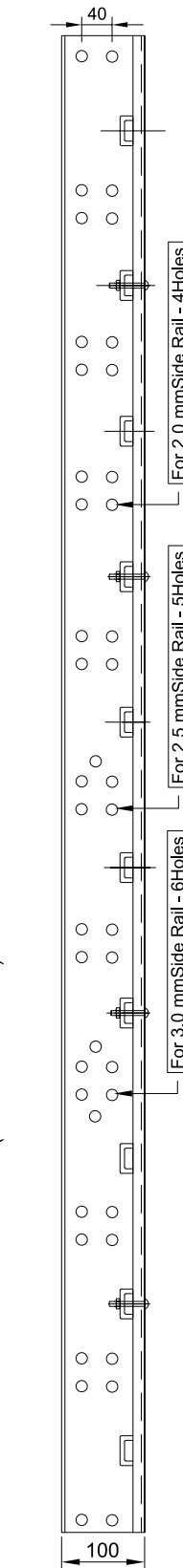
BOLTED RUNG LADDER TRAY 100 mm FLANGE SERIES



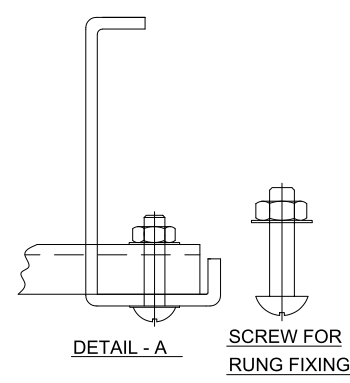
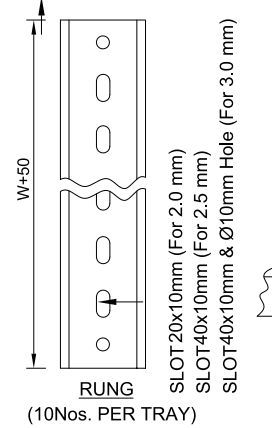
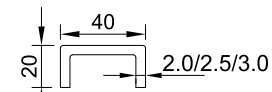
W	H	T	PRODUCT CODE
150	100	2.0/2.5/3.0	BRT1501003020/25/30
300	100	2.0/2.5/3.0	BRT3001003020/25/30
450	100	2.0/2.5/3.0	BRT4501003020/25/30
600	100	2.0/2.5/3.0	BRT6001003020/25/30
750	100	2.0/2.5/3.0	BRT7501003020/25/30
900	100	2.0/2.5/3.0	BRT9001003020/25/30
1000	100	2.0/2.5/3.0	BRT10001003020/25/30
1200	100	2.5/3.0	BRT12001003025/30
1500	100	3.0	BRT15001003030



ALL DIMENSION IN mm. - N.T.S.



SIDE RAIL
(2Nos. PER TRAY)



COUPLING ARRANGEMENT

Couplers normally PLATE 90x110x2.0+4fastener of 8x20
For wide span SLEEVE type 92x140x2.0+4 fastener of 8x20 & 2 nos. of M6x16mm(optinal)

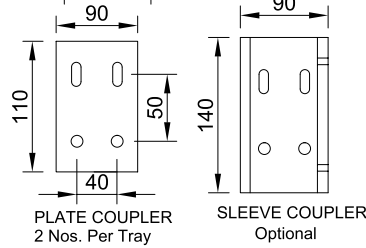
FASTENERS :- ELECTRO GALVANIZED FOR TRAY ASSEMBLY

Round head screw - M8x35mm (8Nos. PER TRAY)

FOR COUPLER-(ROUND HEAD)
M8x20mm(8 Nos. PER TRAY)

MATERIAL:-
MILD STEEL AS PER IS 1079.
ALUMINIUM SHEET AS PER IS 737.

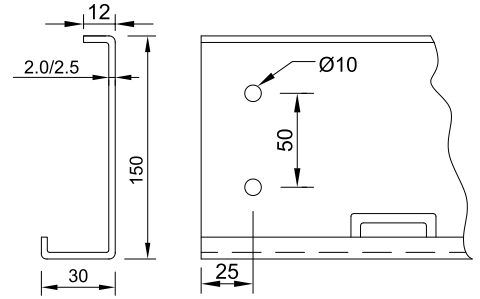
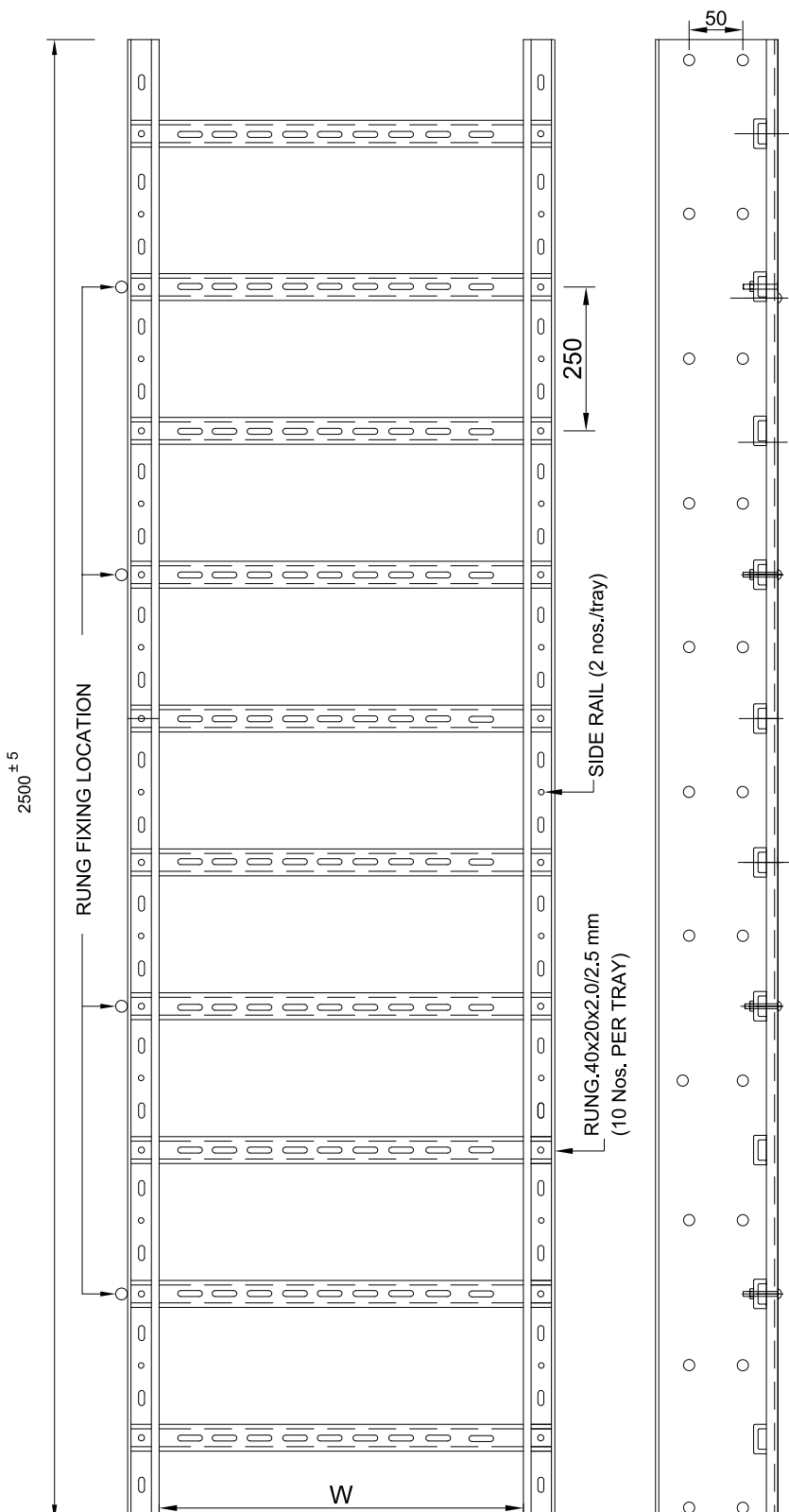
- Finish:
- * HD. - Hot Dip Galvanized
 - * PC. - Powder Coated.
 - * HD+PC.: HD+Powder Coated.
 - * PG. - Pre Galvanized
 - * SS. - Stainless Steel.
 - * AL. - Aluminum
 - * ALM. - Aluminum Marine grade



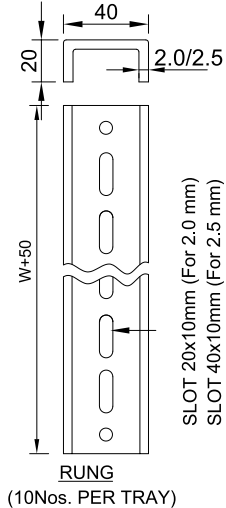
BOLTED RUNG LADDER TRAY 150mm FLANGE SERIES



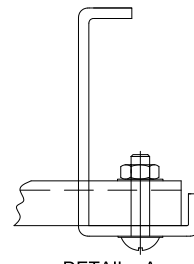
W	H	T	PRODUCT CODE
100	150	2.0/2.5	BRT1001503020/25
300	150	2.0/2.5	BRT3001503020/25
450	150	2.0/2.5	BRT4501503020/25
600	150	2.0/2.5	BRT6001503020/25
1500	150	2.0/2.5	BRT15001503020/25



SIDE RAIL (2Nos. PER TRAY)



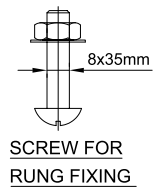
RUNG
(10Nos. PER TRAY)



DETAIL - A

COUPLING ARRANGEMENT

Couplers normally PLATE 92x110+4fastener of 8x20
 For wide span SLEEVE type 142x150+4 fastener of 8x20.
 & 2 nos. of M6x16mm(optional)
FASTENERS :- ELECTRO GALVANIZED FOR TRAY ASSEMBLY
 Round head screw - M8x35mm (8Nos. PER TRAY)
 FOR COUPLER-(ROUND HEAD)
 M8x20mm(8 Nos. PER TRAY)
MATERIAL:-
 MILD STEEL AS PER IS 1079.
 ALUMINIUM SHEET AS PER IS 737.



SCREW FOR RUNG FIXING

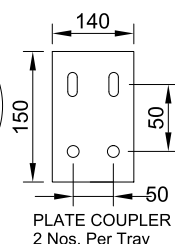
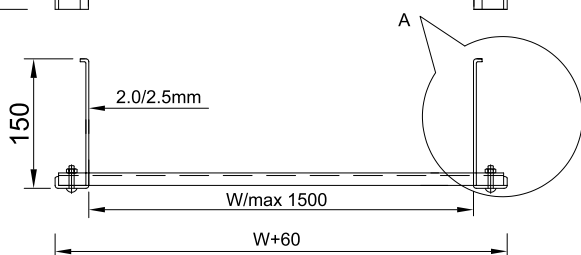
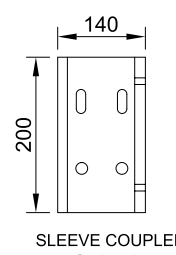


PLATE COUPLER
2 Nos. Per Tray



SLEEVE COUPLER
Optional

ALSO AVAILABLE IN 3.0 mm THICKNESS.

ALL DIMENSION IN mm. - N.T.S.

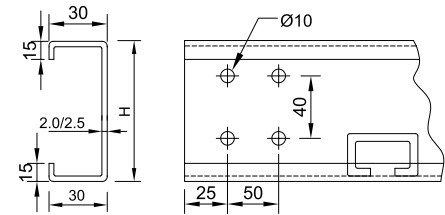
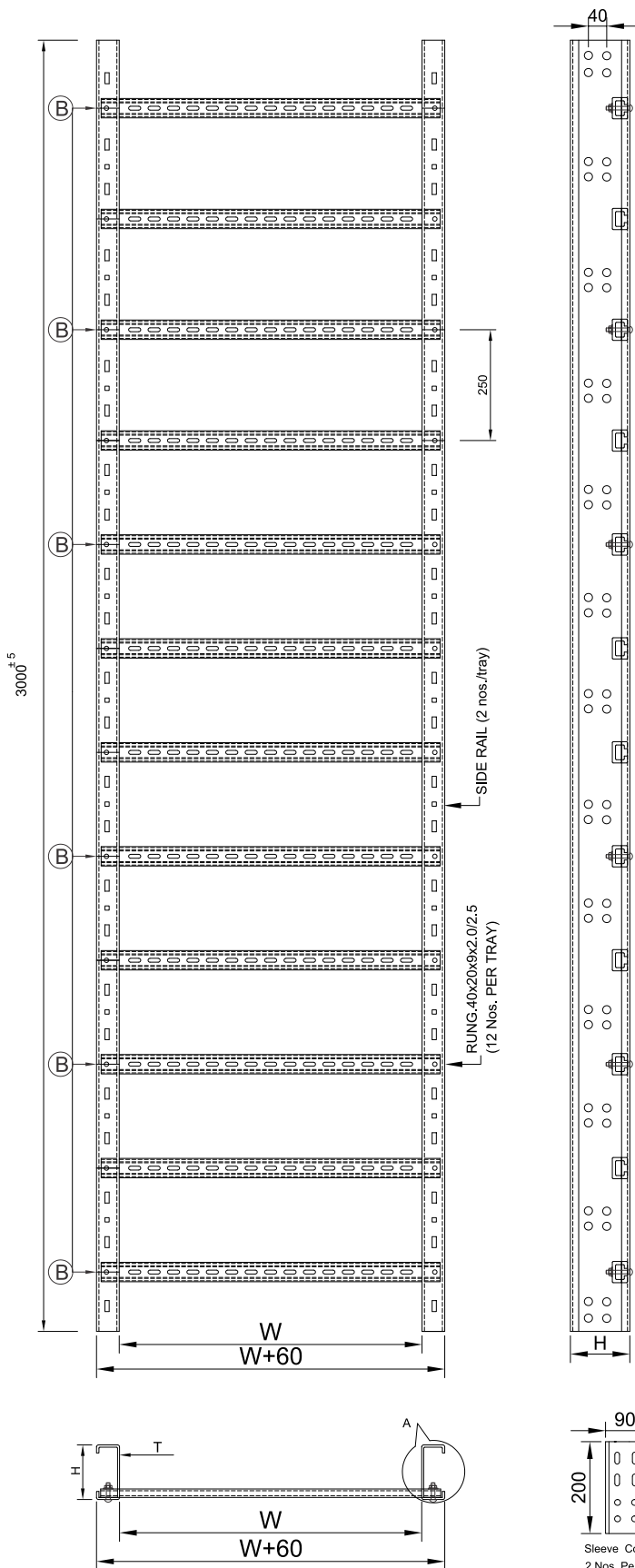
- Finish:**
- * HD. - Hot Dip Galvanized
 - * PC. - Powder Coated.
 - * HD+PC.: HD+Powder Coated.
 - * PG. - Pre Galvanized
 - * SS. - Stainless Steel.
 - * AL. - Aluminum
 - * ALM. - Aluminum Marine grade

WIDE SPAN BOLTED RUNG LADDER TRAY

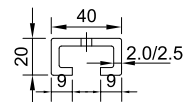


W	H	T	PRODUCT CODE
300	100	2.0	WBRT 3001003020
450	100	2.0	WBRT 4501003020
600	100	2.0	WBRT 6001003020

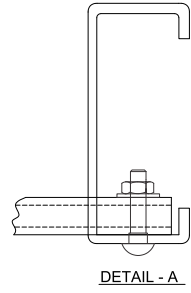
W	H	T	PRODUCT CODE
300	150	2.0	WBRT 3001503020
450	150	2.0	WBRT 4501503020
600	150	2.0	WBRT 6001503020
750	150	2.5	WBRT 7501503025



SIDE RAIL (2Nos. PER TRAY)



RUNG (12Nos. PER TRAY)



COUPLING ARRANGEMENT

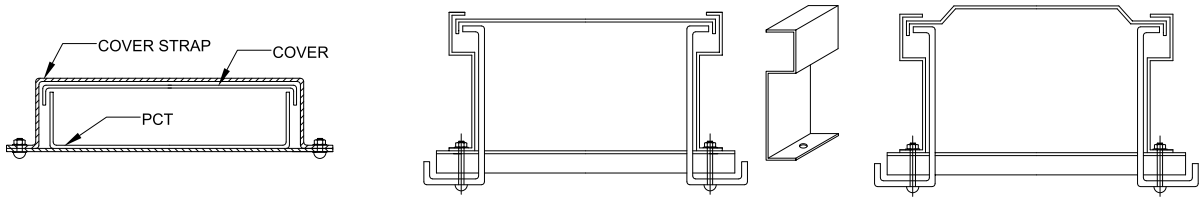
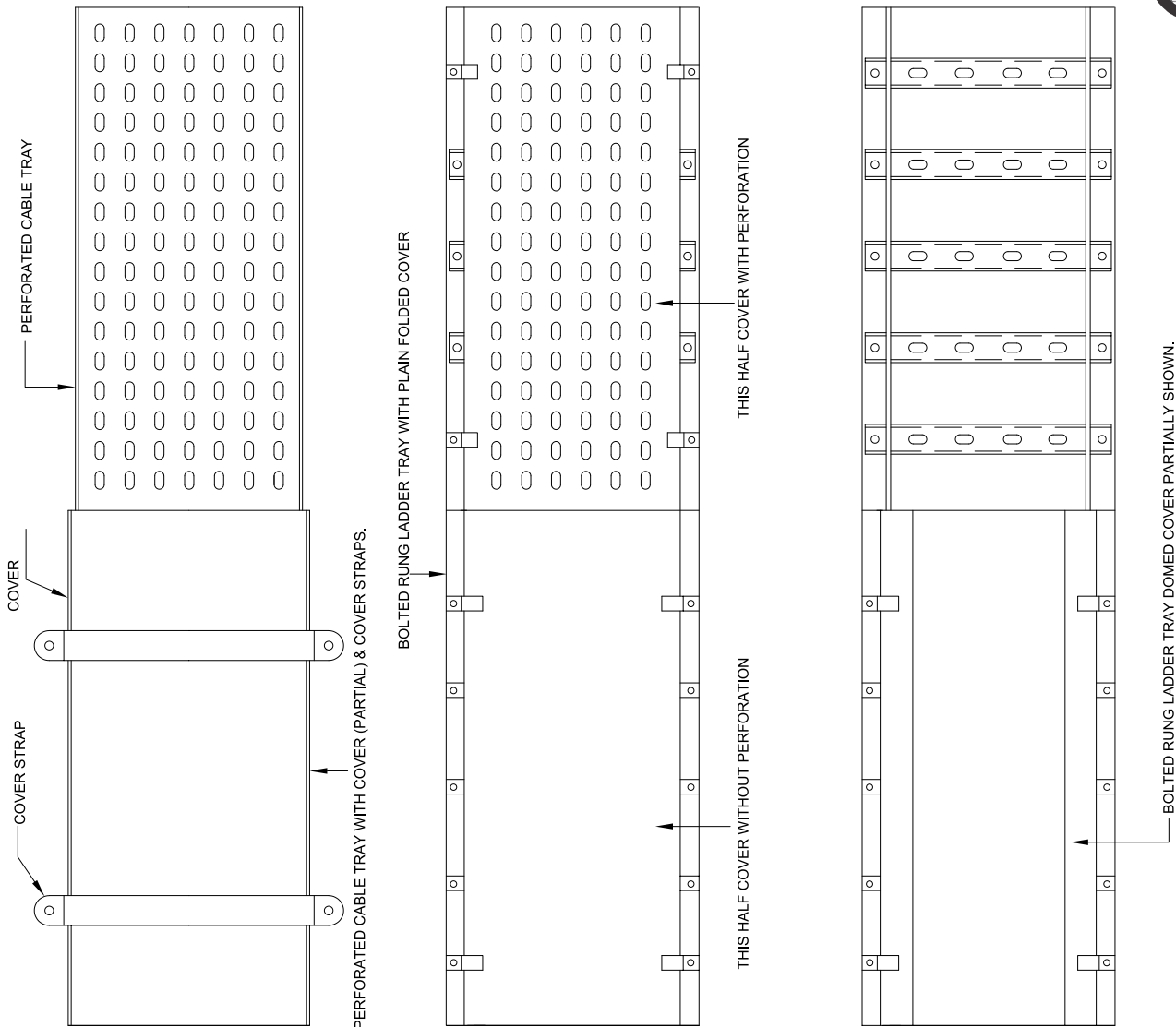
Couplers normally Sleeve 90x200x2.0+8fastener of M8x20mm

- FASTENERS :- ELECTRO GALVANIZED**
- FOR TRAY ASSEMBLY**
M8x35mm (12 Nos. PER TRAY)
- FOR COUPLER PLATE**
M8x20mm (8Nos. Per Coupler)

- Finish:**
- * HD. - Hot Dip Galvanized
 - * PC. - Powder Coated.
 - * HD+PC.: HD+Powder Coated.
 - * PG. - Pre Galvanized
 - * SS. - Stainless Steel.
 - * AL. - Aluminum
 - * ALM. - Aluminum Marine grade

ALL DIMENSION IN mm. - N.T.S.

BOLTED RUNG LADDER & PERFORATED TRAY WITH COVER



COVER MATERIALS :-

FOR HOT DIP GALVANISED / PREGALVANISED CABLE TRAYS.

COVER INVARIABLY SELECTED OF LIGHT GAUGE STEEL PREGALVANISED

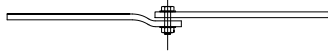
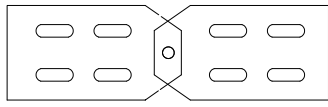
UPTO 200 mm WIDTH - 1.2mm THICK - SINGLE LENGTH EQUAL TO STD. LENGTH OF TRAY.

300 mm & BEYOND 300 mm. - 1.5/1.6 mm. THICK - IN 2.NOS. PER LENGTH OF TRAY.

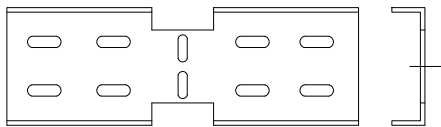
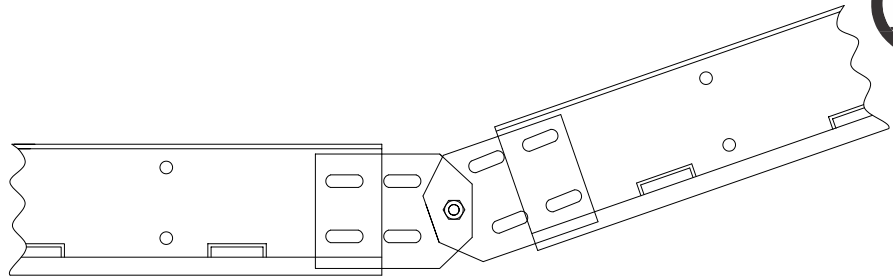
HOT DIP GALVANISATION DISTORTS COVERS. SUCH COVER TO BE DISCUSSED & USED SELECTIVELY.

ALL DIMENSION IN mm. - N.T.S.

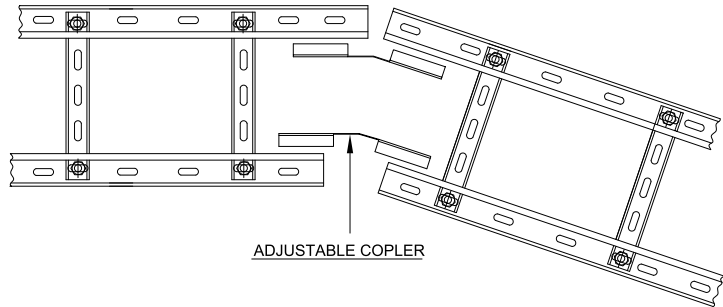
BOLTED LADDER TRAY WITH ACCESSORIES



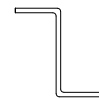
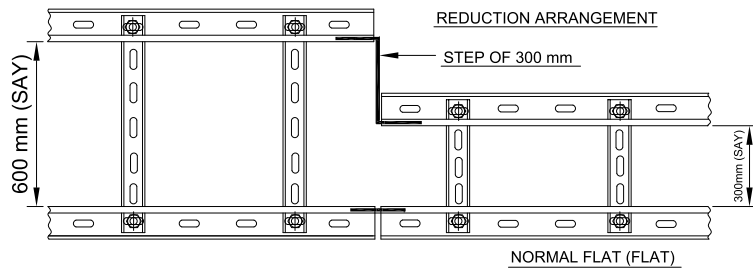
ADJUSTABLE VERTICAL COUPLER
TO SUIT SIDE RAIL DEPTHS 50,70,100, & 150



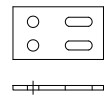
ADJUSTABLE HORIZONTAL COUPLER
TO SUIT SIDE RAIL DEPTHS 50,70,100, & 150



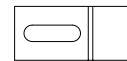
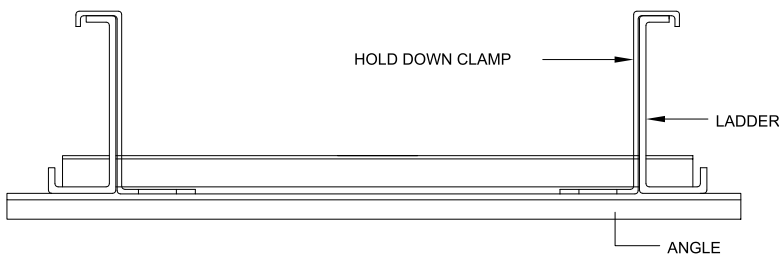
ADJUSTABLE COUPLER



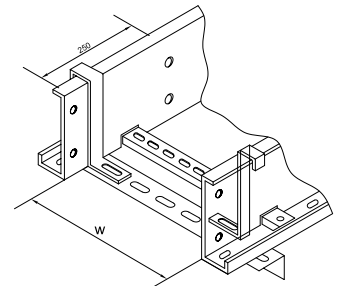
OFFSET COUPLER



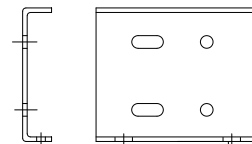
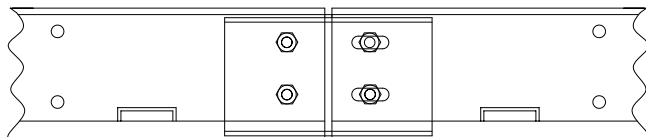
FLAT COUPLER



HOLD DOWN CLAMP



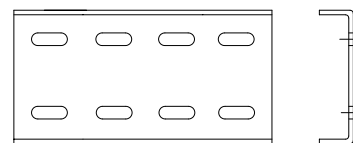
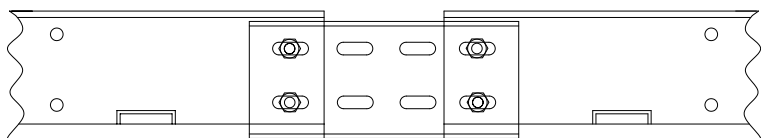
SLEEVE COUPLER



SLEEVE COUPLER

2 nos. slots to match those on side rail

EXTENDED SLEEVE COUPLER



EXTENDED SLEEVE COUPLER

Finish:

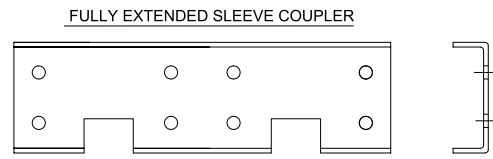
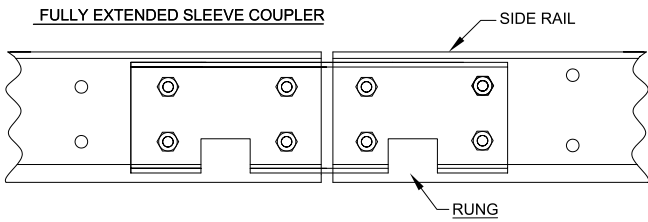
- * HD. - Hot Dip Galvanized
- * PC. - Powder Coated.
- * HD+PC.: HD+Powder Coated.
- * PG. - Pre Galvanized

- * SS. - Stainless Steel.
- * AL. - Aluminum

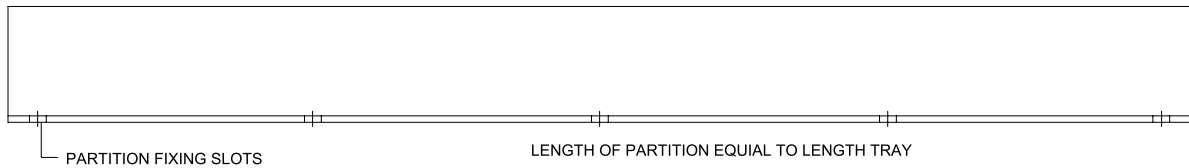
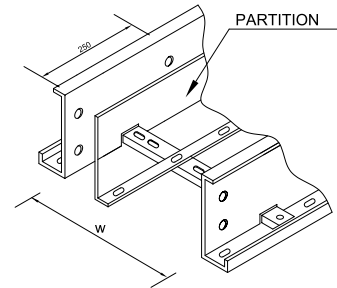
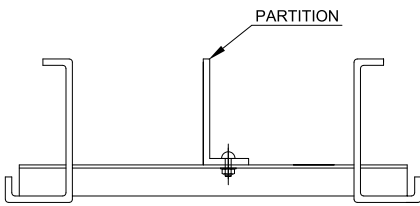
- * ALM. - Aluminum Marine grade

ALL DIMENSION IN mm. - N.T.S.

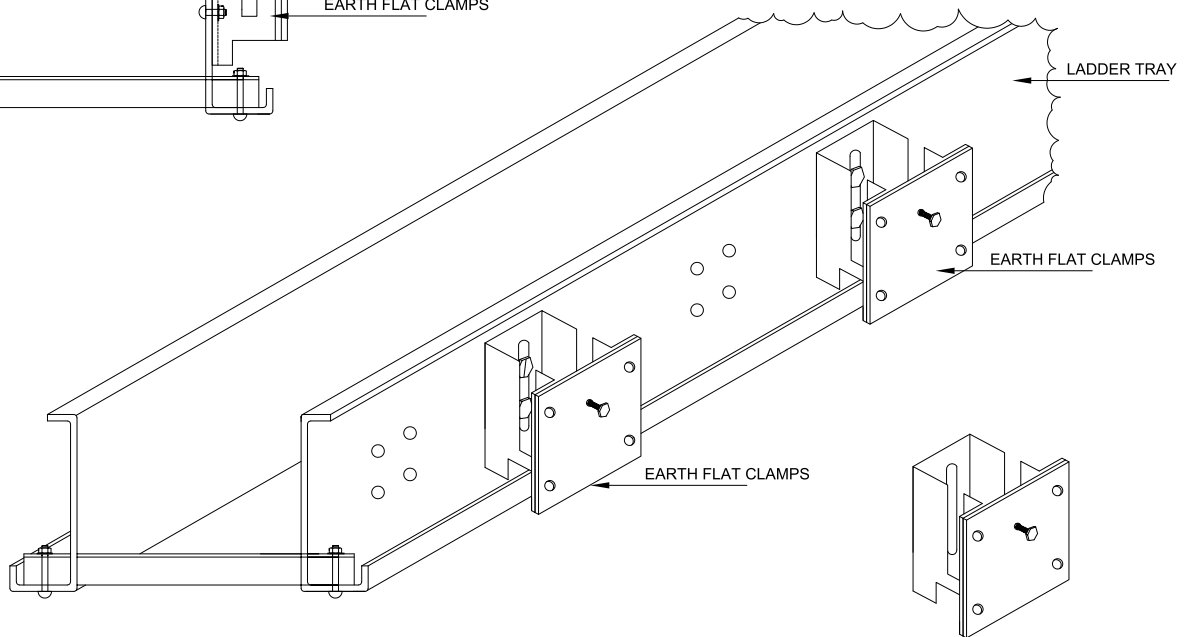
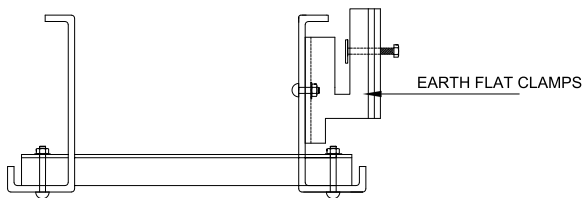
BOLTED RUNG LADDER TRAY WITH ACCESSORIES



- Finish:
- * HD - Hot Dip Galvanized
 - * PC - Powder Coated.
 - * HD+PC.: HD+Powder Coated.
 - * PG - Pre Galvanized
 - * SS - Stainless Steel.
 - * AL - Aluminum
 - * ALM - Aluminum Marine grade



EARTH FLAT CLAMPS APPLICATION FOR LADDER TRAY



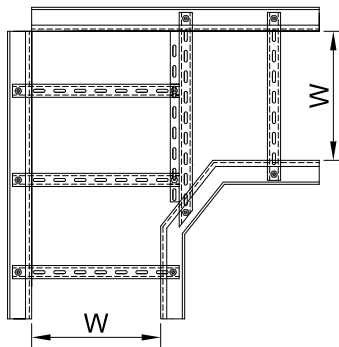
EARTH FLAT CLAMPS

- Finish:
- * PG - Pre Galvanized

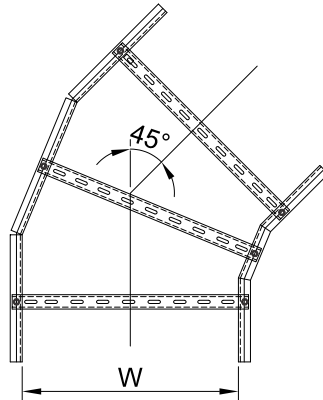
ALL DIMENSION IN mm. - N.T.S.

BOLTED RUNG LADDER TRAY ACCESSORIES

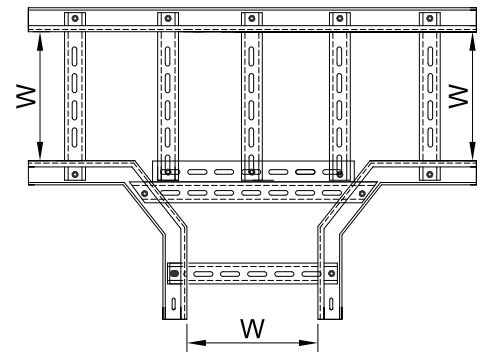
90° HORIZONTAL BEND



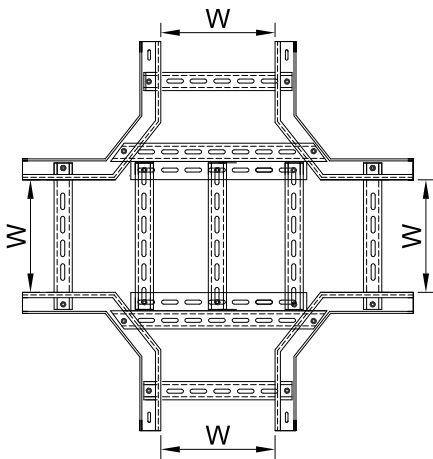
45° HORIZONTAL BEND



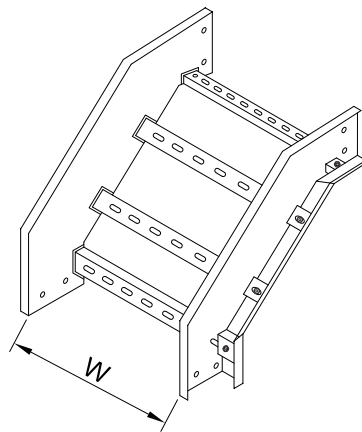
90° HORIZONTAL TEE



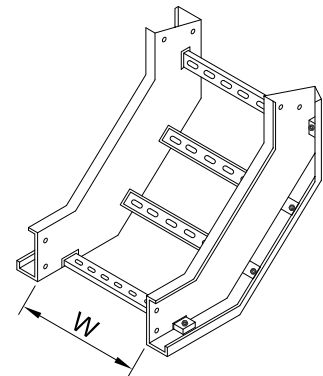
90° HORIZONTAL CROSS



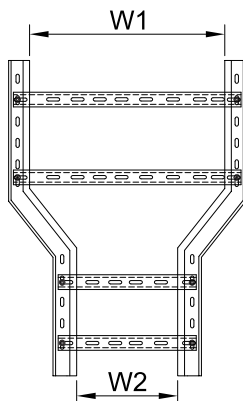
90° VERTICAL OUTSIDE BEND



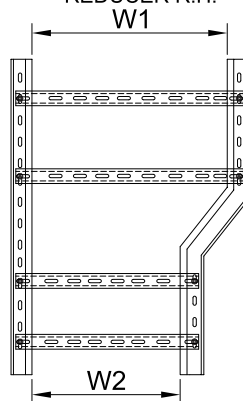
90° VERTICAL INSIDE BEND



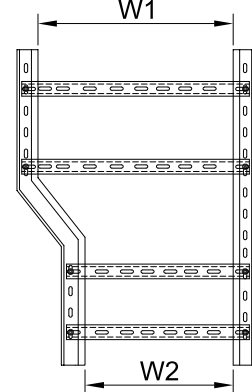
REDUCER CENTRAL



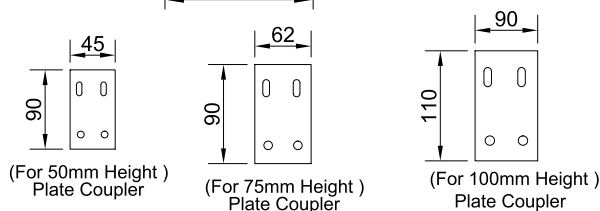
REDUCER R.H.



REDUCER L.H.



Tray Height	Coupler Size	Hardware
50mm	45x90mm	M6X16mm
75mm	62x90mm	M8X20mm
100mm	90x110mm	M8X20mm



Fasteners : 04 Nos per Coupler
 Finish : Electro - Zinc Plated.
 Optional SS-304,SS-316

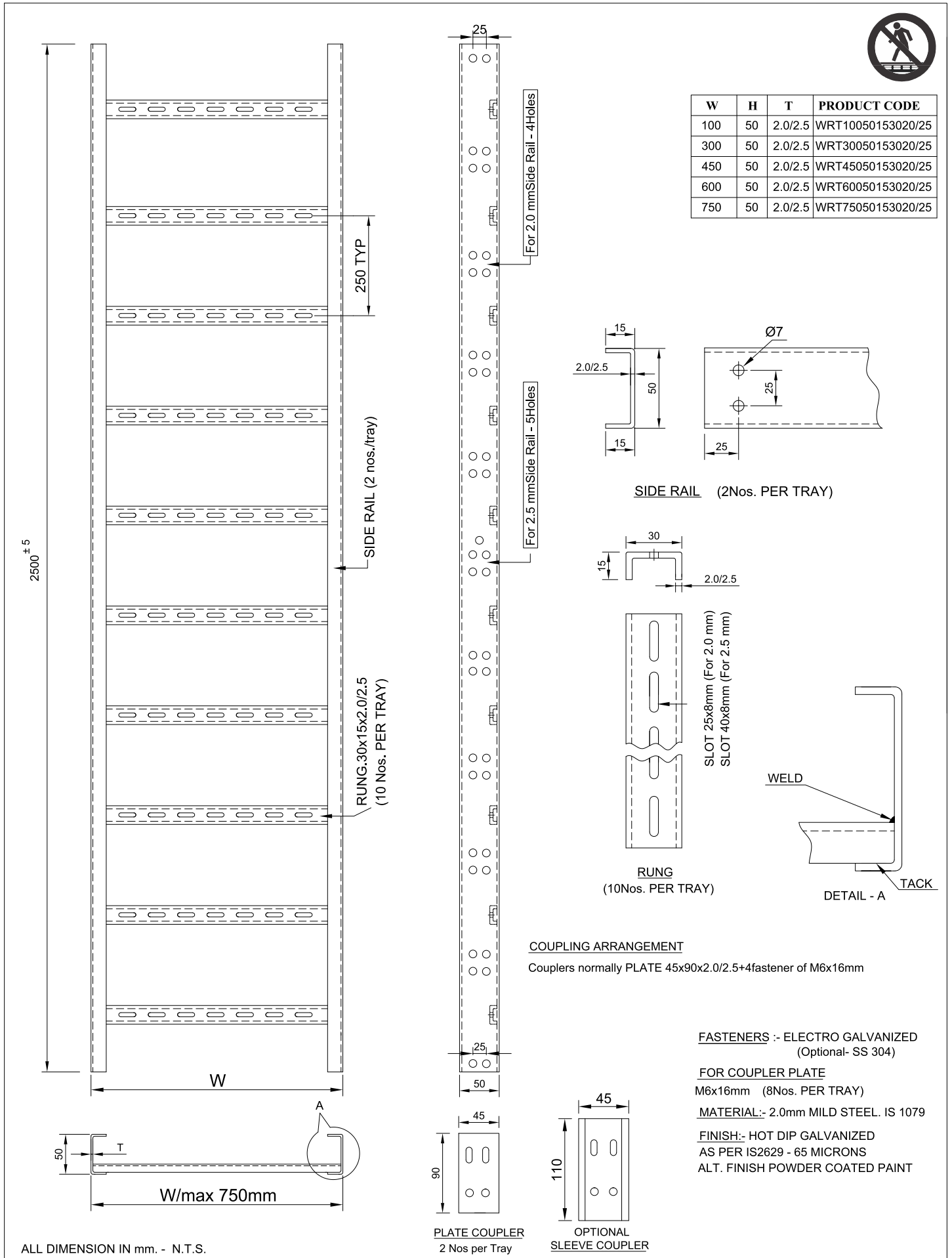
Coupler For 90°HB,45° HB, - 2 Nos per Bend
 90° VBO/VBI & Reducers -2 Nos per Bend
 For 90°Tee - 4 Nos per Bend
 For 90°Cross - 6 Nos per Bend

- Finish:
- * HD. - Hot Dip Galvanized
 - * PC. - Powder Coated.
 - * HD+PC.: HD+Powder Coated.
 - * PG. - Pre Galvanized
 - * SS. - Stainless Steel.
 - * AL. - Aluminum
 - * ALM. - Aluminum Marine grade

ALL DIMENSION IN mm. - N.T.S.

Standard Bending Radius : R-300,R-450 & R-600
 Special Bending Radius : R-900 , R-1200 , R-1500

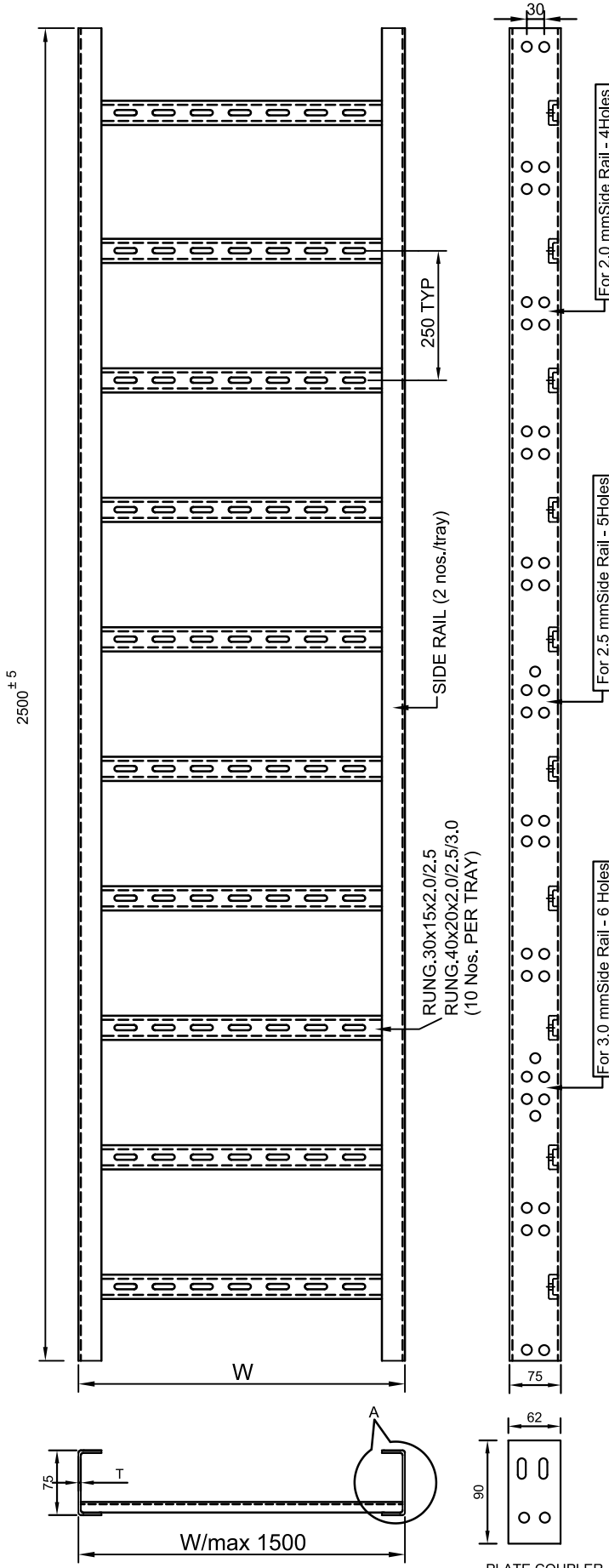
WELDED RUNG LADDER TRAY 50 mm FLANGE SERIES



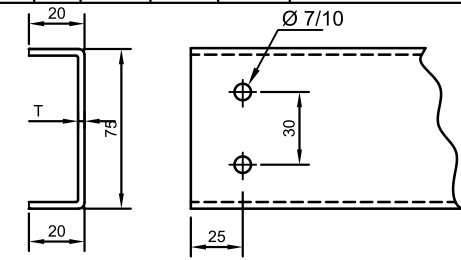
W	H	T	PRODUCT CODE
100	50	2.0/2.5	WRT10050153020/25
300	50	2.0/2.5	WRT30050153020/25
450	50	2.0/2.5	WRT45050153020/25
600	50	2.0/2.5	WRT60050153020/25
750	50	2.0/2.5	WRT75050153020/25

ALL DIMENSION IN mm. - N.T.S.

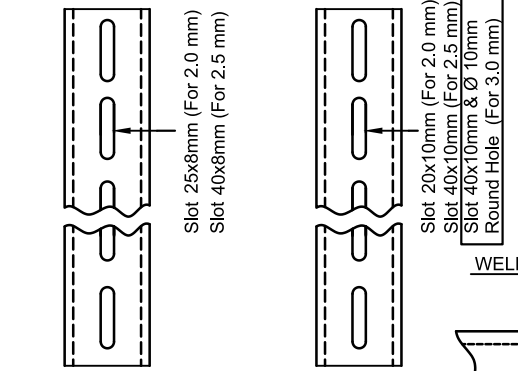
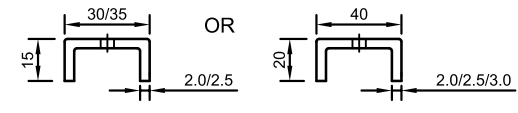
WELDED RUNG LADDER TRAY 75 mm FLANGE SERIES



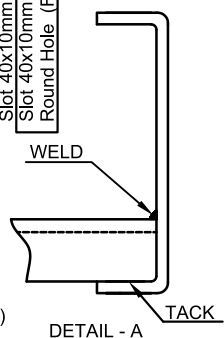
W	H	T	T	T	PRODUCT CODE
150	75	2.0	2.5	3.0	WRT150752030/4020/25/30
300	75	2.0	2.5	3.0	WRT300752030/4020/25/30
450	75	2.0	2.5	3.0	WRT450752030/4020/25/30
600	75	2.0	2.5	3.0	WRT600752030/4020/25/30
750	75	2.0	2.5	3.0	WRT750752030/4020/25/30
900	75	2.0	2.5	3.0	WRT900752030/4020/25/30
1000	75	2.0	2.5	3.0	WRT1000752030/4020/25/30
1200	75	X	2.5	3.0	WRT120075204025/30
1500	75	X	X	3.0	WRT150075204030



SIDE RAIL (2Nos. PER TRAY)



RUNG (10Nos. PER TRAY) Max Width 750mm



RUNG CHOICE TO BE INDICATED

COUPLING ARRANGEMENT

Couplers normally PLATE 62x90x2.0/2.5/3.0+4fastener of 8x20

FASTENERS :- ELECTRO GALVANIZED (Optional- SS 304)

FOR COUPLER PLATE 8x20mm (8Nos. PER TRAY)

MILD STEEL AS PER IS 1079. ALUMINIUM SHEET AS PER IS 737.

FINISH:- HOT DIP GALVANIZED AS PER IS2629 - 65 MICRONS ALT. FINISH POWDER COATED PAINT

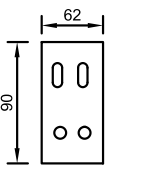
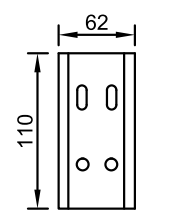


PLATE COUPLER 2 Nos per Tray



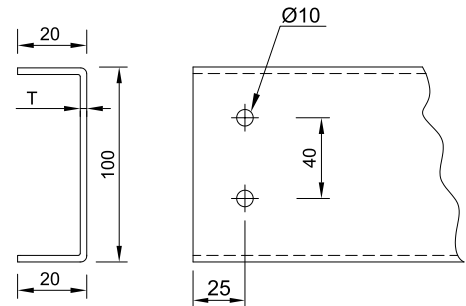
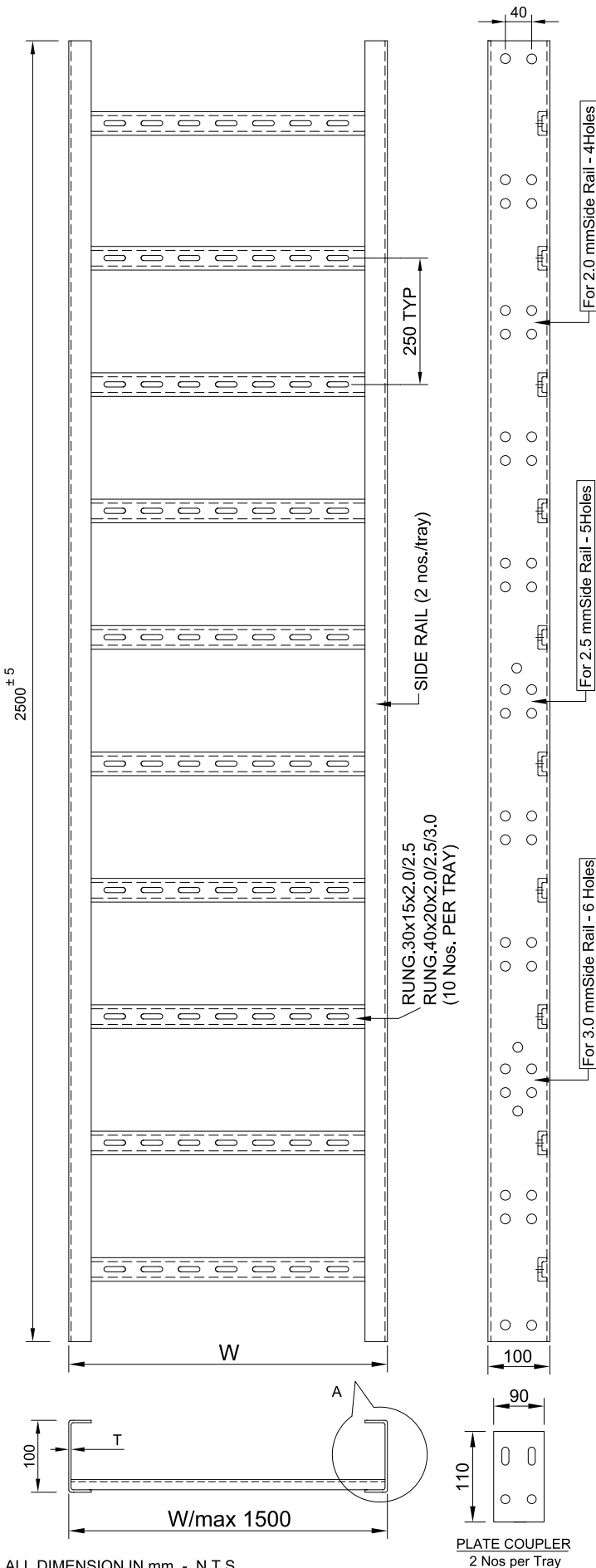
OPTIONAL SLEEVE COUPLER

ALL DIMENSION IN mm. - N.T.S.

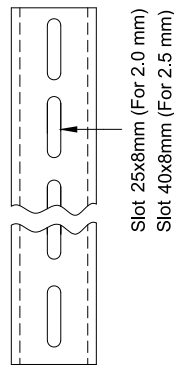
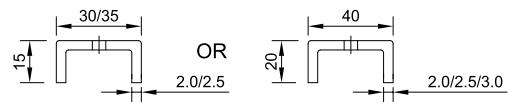
WELDED RUNG LADDER TRAY 100 mm FLANGE SERIES



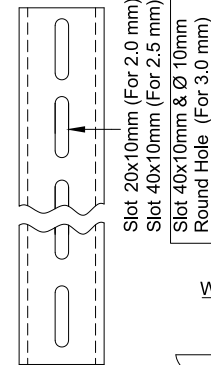
W	H	T	T	T	PRODUCT CODE
150	100	2.0	2.5	3.0	WRT1501002030/4020/25/30
300	100	2.0	2.5	3.0	WRT3001002030/4020/25/30
450	100	2.0	2.5	3.0	WRT4501002030/4020/25/30
600	100	2.0	2.5	3.0	WRT6001002030/4020/25/30
750	100	2.0	2.5	3.0	WRT7501002030/4020/25/30
900	100	2.0	2.5	3.0	WRT9001002030/4020/25/30
1000	100	2.0	2.5	3.0	WRT10001002030/4020/25/30
1200	100	X	2.5	3.0	WRT1200100204025/30
1500	100	X	X	3.0	WRT1500100204030



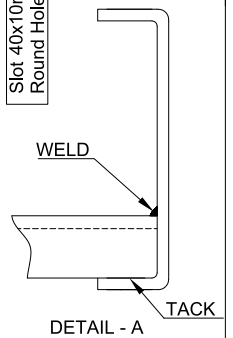
SIDE RAIL (2Nos. PER TRAY)



RUNG
(10Nos. PER TRAY)
Max Width 750mm



RUNG
(10Nos. PER TRAY)



RUNG CHOICE TO BE INDICATED

COUPLING ARRANGEMENT

Couplers normally PLATE 90x110x2.0/2.5/3.0 +4fastener of 8x20

FASTENERS :- ELECTRO GALVANIZED
(Optional- SS 304)

FOR COUPLER-(ROUND HEAD)
M8x20mm(8 Nos. PER TRAY)

MATERIAL:-

MILD STEEL AS PER IS 1079.
ALUMINIUM SHEET AS PER IS 737.

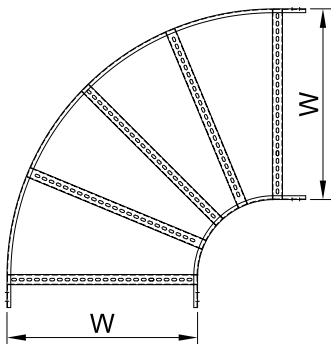
FINISH:- HOT DIP GALVANIZED
AS PER IS2629 - 65 MICRONS
ALT. FINISH POWDER COATED PAINT

ALL DIMENSION IN mm. - N.T.S.

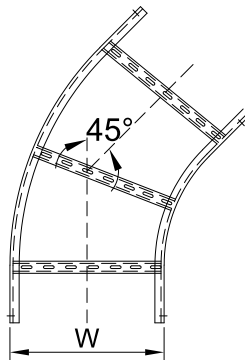
WELDED RUNG LADDER TRAY ACCESSORIES



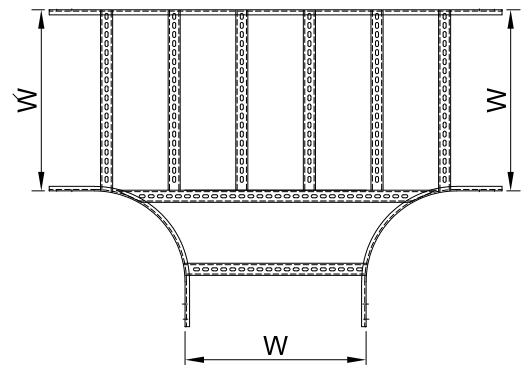
90° HORIZONTAL BEND



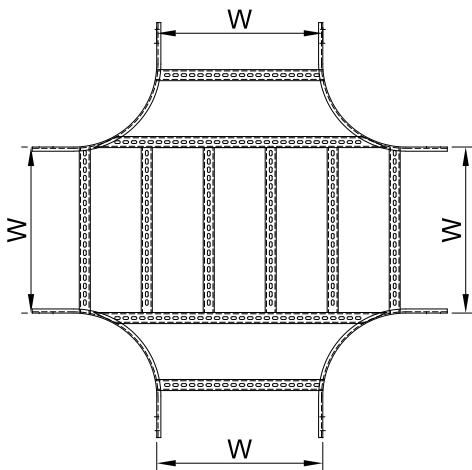
45° HORIZONTAL BEND



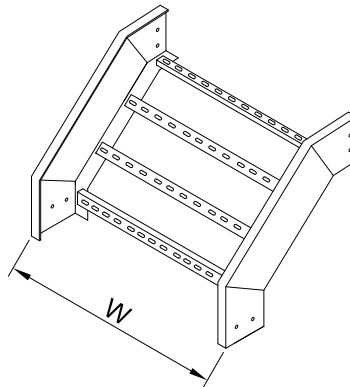
90° HORIZONTAL TEE



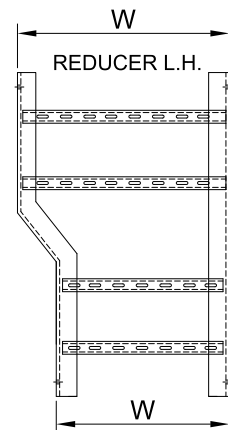
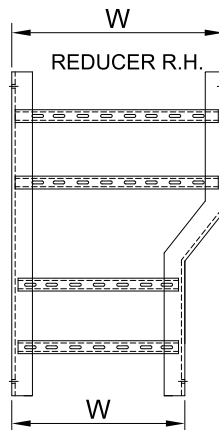
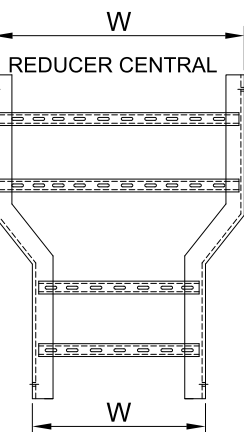
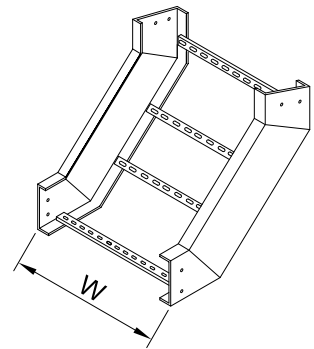
90° HORIZONTAL CROSS



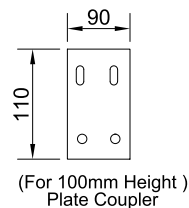
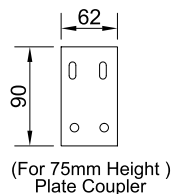
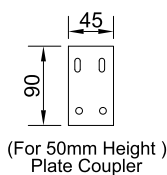
90° VERTICAL OUTSIDE BEND



90° VERTICAL INSIDE BEND



Tray Height	Coupler Size	Hardware
50mm	45x90mm	M6X16mm
75mm	62x90mm	M8X20mm
100mm	90x110mm	M8X20mm



Finish:

- * HD. - Hot Dip Galvanized
- * PC. - Powder Coated.
- * HD+PC.: HD+Powder Coated.

Fasteners : 04 Nos per Coupler
Finish : Electro - Zinc Plated.
Optional SS-304,SS-316

Coupler For 90°HB,45° HB,- 2 Nos per Bend
90° VBO/VBI & Reducers -2 Nos per Bend
For 90°Tee - 4 Nos per Bend
For 90°Cross - 6 Nos per Bend

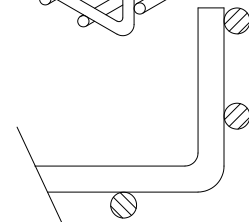
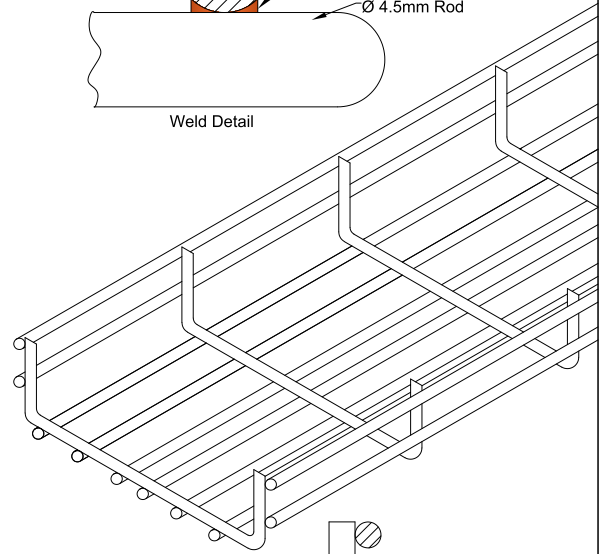
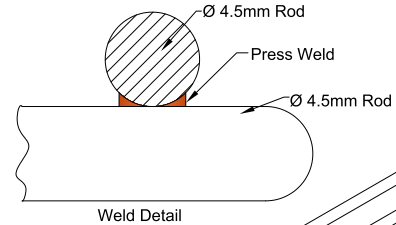
Standard Bending Radius : R-300,R-450 & R-600
Special Bending Radius : R-900 , R-1200, R-1500

ALL DIMENSION IN mm. - N.T.S.

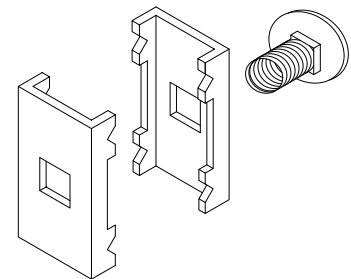
WIRE MESH CABLE TRAY 50 mm FLANGE SERIES



WIDTH(W)	HEIGHT (H)	THK.	MANUFACTURE	PRODUCT CODE
100	50	4.5	REGULAR	WM 1005045
150	50	4.5	REGULAR	WM 1505045
200	50	4.5	REGULAR	WM 2005045
250	50	4.5	REGULAR	WM 2505045
300	50	4.5	REGULAR	WM 3005045
400	50	4.5	REGULAR	WM 4005045
500	50	4.5	REGULAR	WM 5005045
600	50	4.5	REGULAR	WM 6005045



Detail of - B



Wire mesh Coupler

Up to 250mm Width 2 Nos Per Tray
Above 300mm Width 3 Nos Per Tray

MATERIAL:-

Commercial grade M.S Wire.

FINISH:- Available

- 1) HOT DIP GALVANIZED AS PER IS2629 - 65/86 MICRONS
- 2) STAINLESS STEEL 304/316
- 3) POWDER COATED PAINT

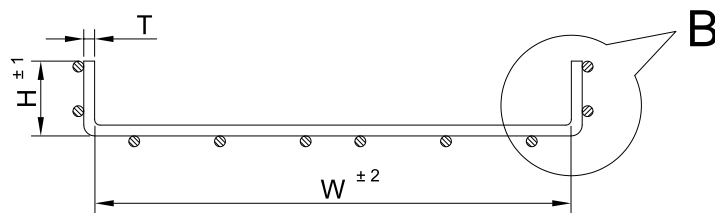
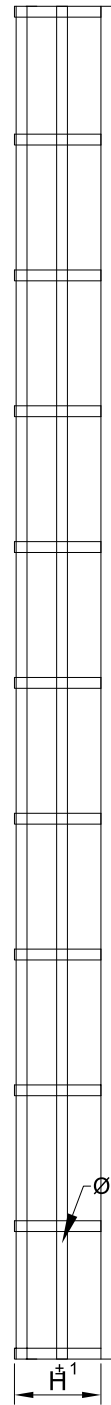
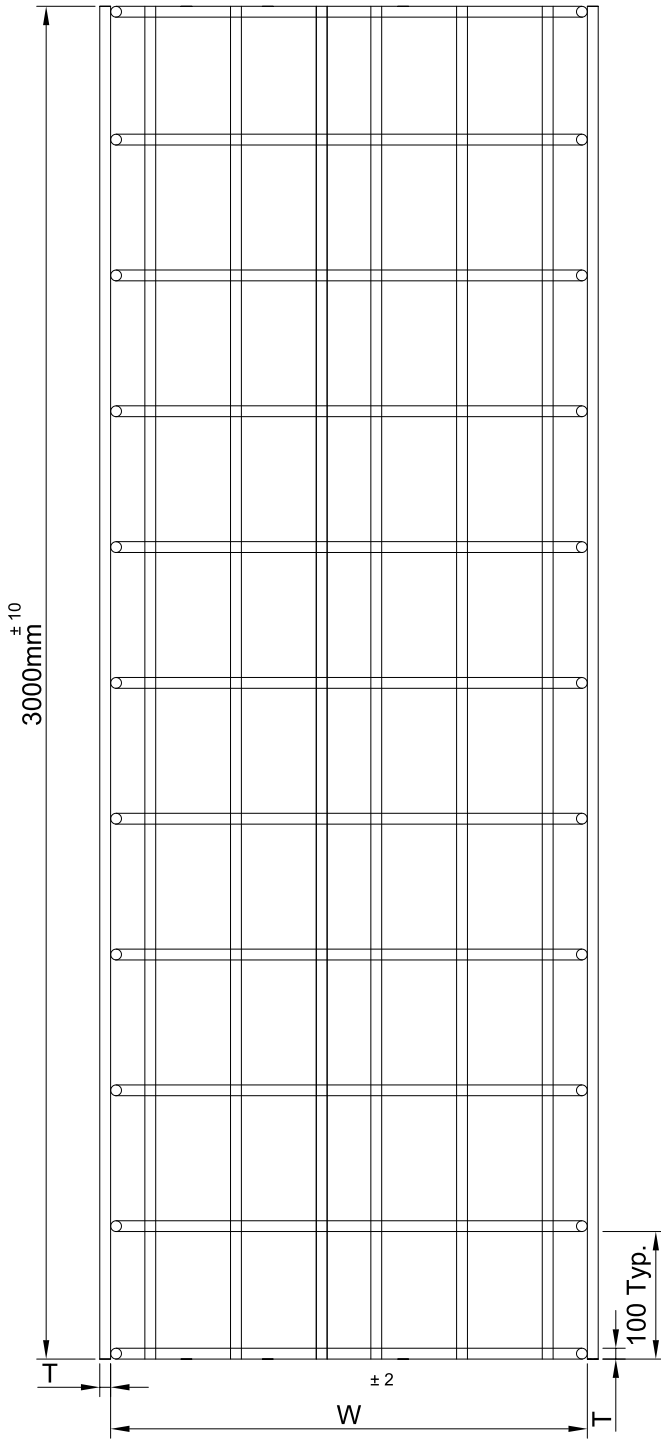
ALT. PRE GALVANIZED

COUPLING ARRANGEMENT

Couplers normally 41x23x2.0

Carriage Bolt with nut & washer M8X30mm(2/3 nos per Tray).

FASTENERS :- ELECTRO GALVANIZED/STAINLESS STEEL

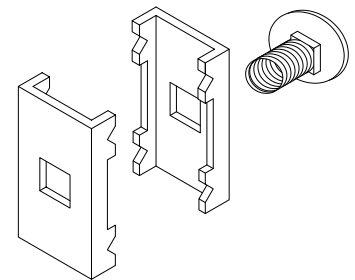
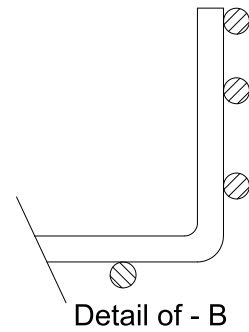
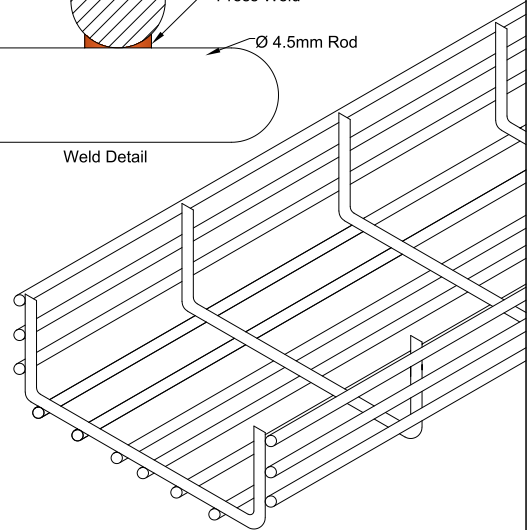
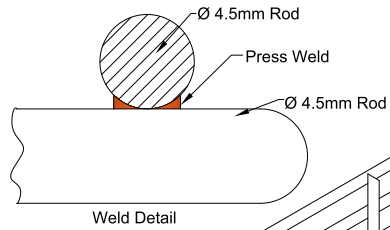


ALL DIMENSION IN mm. - N.T.S.

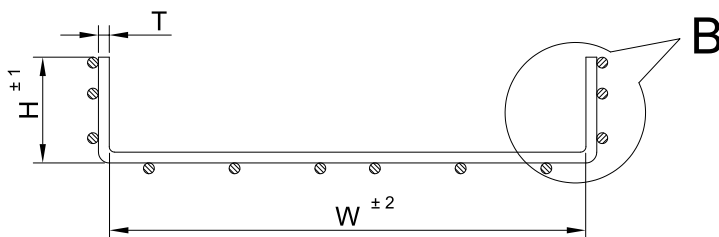
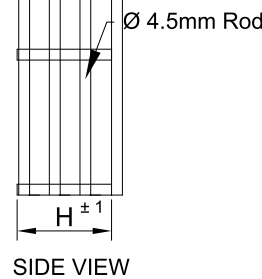
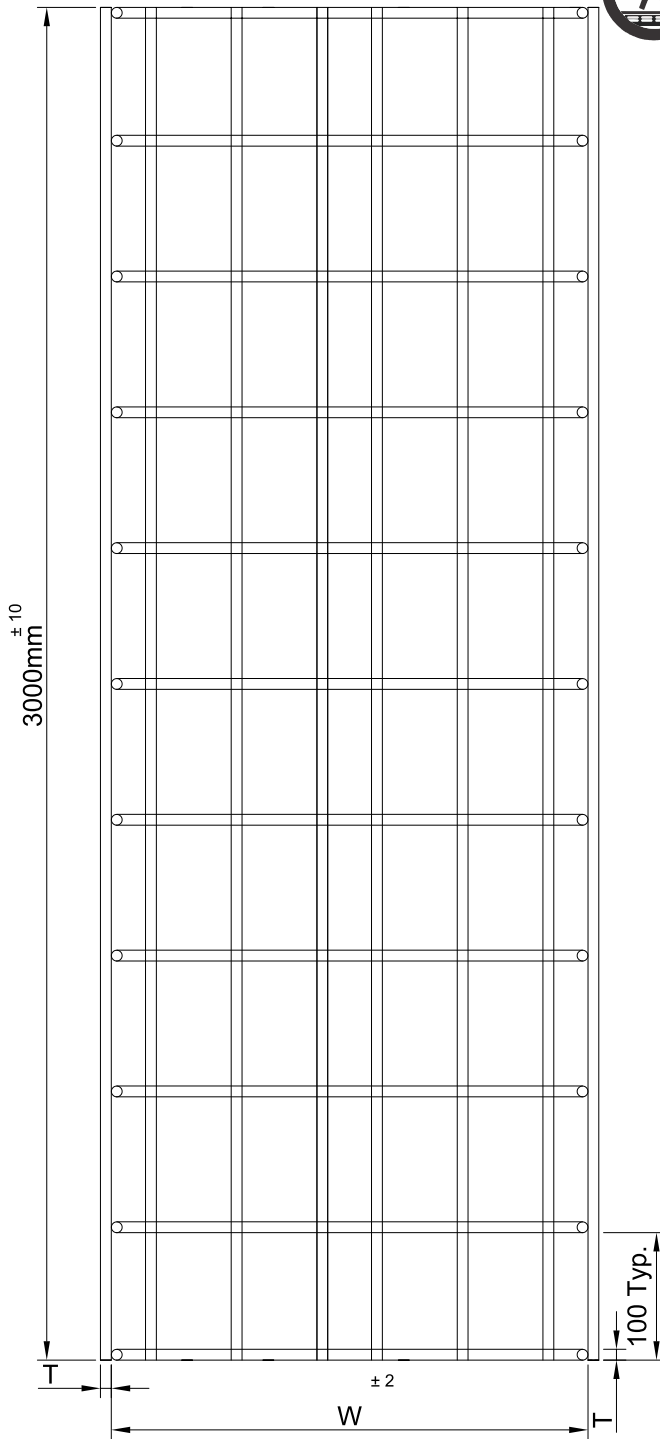
WIRE MESH CABLE TRAY 100 mm FLANGE SERIES



WIDTH(W)	HEIGHT (H)	THK.	MANUFACTURE	PRODUCT CODE
100	100	4.5	REGULAR	WM 10010045
200	100	4.5	REGULAR	WM 20010045
300	100	4.5	REGULAR	WM 30010045
400	100	4.5	REGULAR	WM 40010045
500	100	4.5	REGULAR	WM 50010045
600	100	4.5	REGULAR	WM 60010045



Up to 250mm Width 2 Nos Per Tray
Above 300mm Width 3 Nos Per Tray



MATERIAL:-

Commercial grade M.S Wire.

FINISH:- Available

- 1) HOT DIP GALVANIZED AS PER IS2629 - 65/86 MICRONS
- 2) STAINLESS STEEL 304/316
- 3) POWDER COATED PAINT

ALT. PRE GALVANIZED

COUPLING ARRANGEMENT

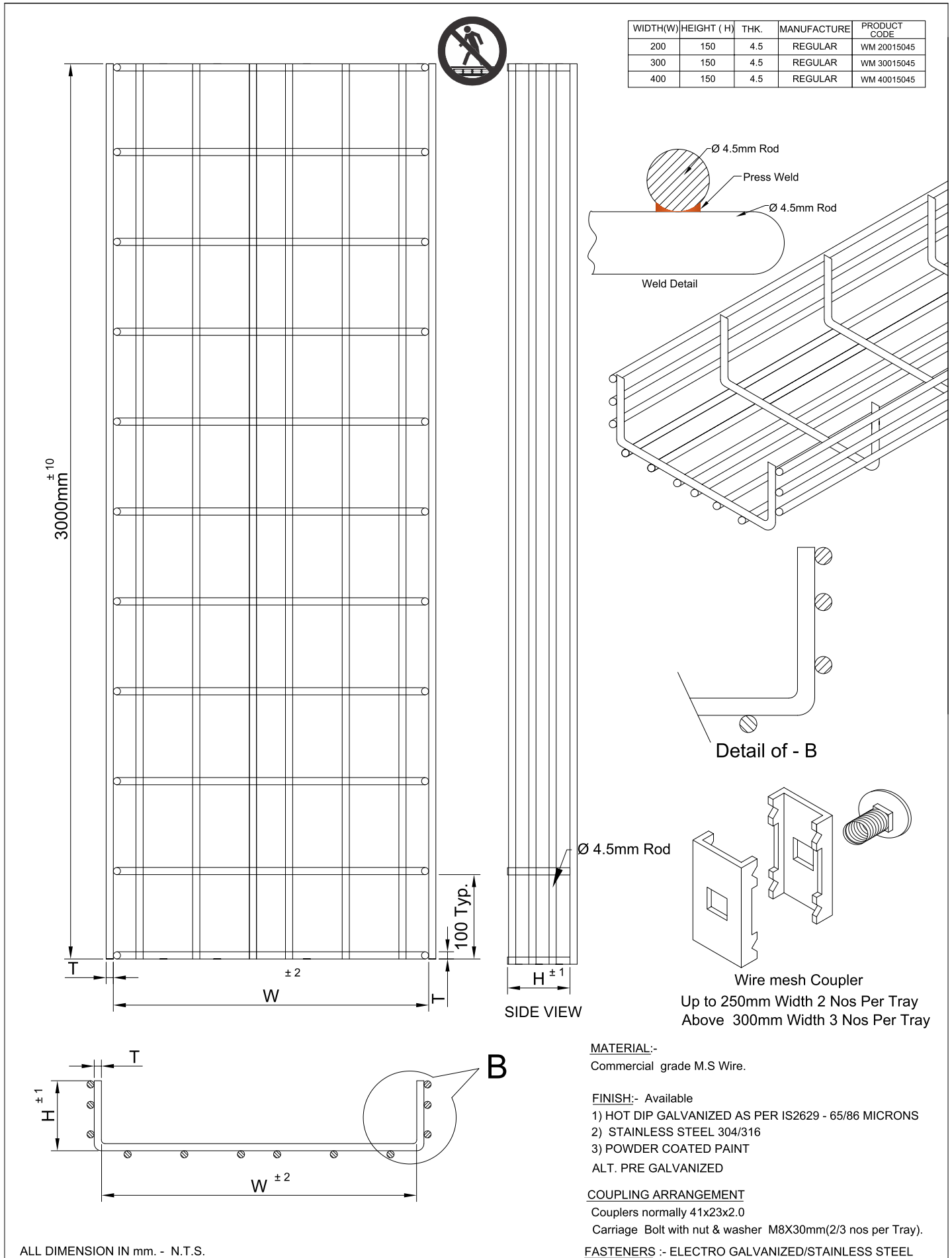
Couplers normally 41x23x2.0

Carriage Bolt with nut & washer M8X30mm(2/3 nos per Tray).

FASTENERS :- ELECTRO GALVANIZED/STAINLESS STEEL

ALL DIMENSION IN mm. - N.T.S.

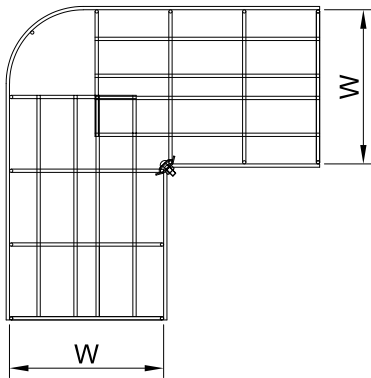
WIRE MESH CABLE TRAY 150 mm FLANGE SERIES



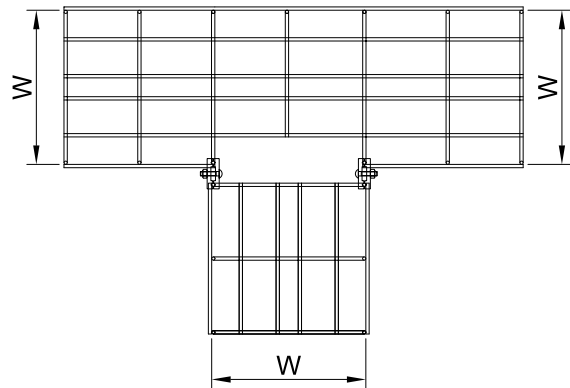
WIRE MESH CABLE TRAY ACCESSORIES



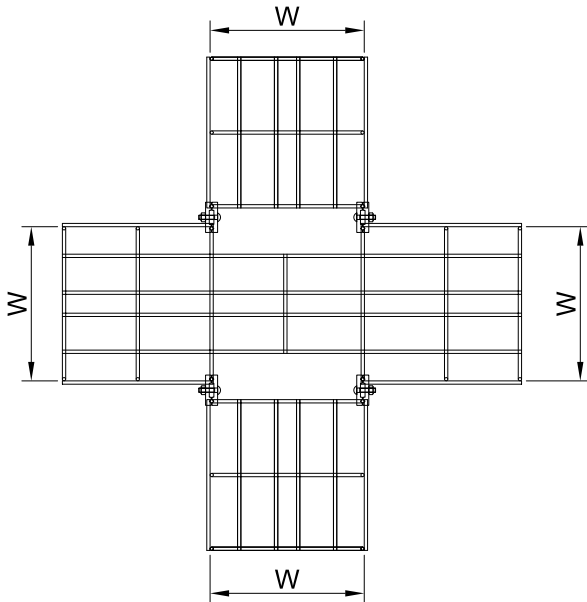
90° HORIZONTAL BEND



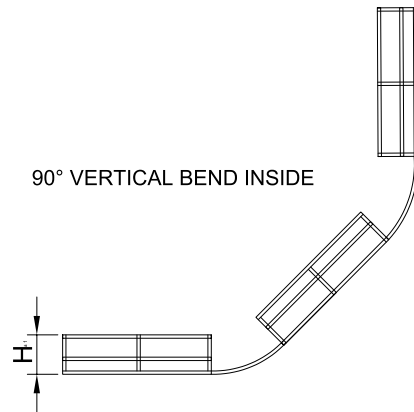
90° HORIZONTAL TEE



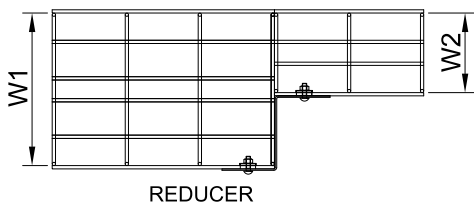
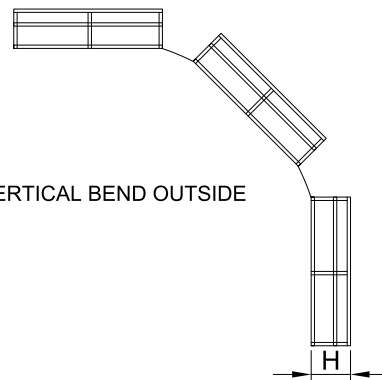
90° HORIZONTAL CROSS



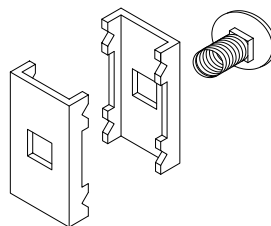
90° VERTICAL BEND INSIDE



90° VERTICAL BEND OUTSIDE



REDUCER



Fasteners : 01 Nos per Coupler
Finish : Electro - Zinc Plated.
Optional SS-304,SS-316

Coupler 90° HB ,VBI , VBO & Reducers -2 Nos per Bend
For 90°Tee - 4 Nos per Bend
For 90°Cross - 6 Nos per Bend

ALL DIMENSION IN mm. - N.T.S.

MATERIAL:-

Commercial grade M.S Wire.
Commercial grade SS Wire.

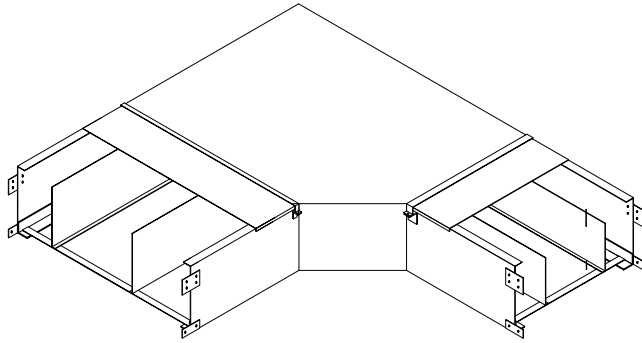
FINISH:- Available

- 1) HOT DIP GALVANIZED AS PER IS2629 - 65/86 MICRONS
 - 2) STAINLESS STEEL 304/316
 - 3) POWDER COATED PAINT
- ALT. PRE GALVANIZED

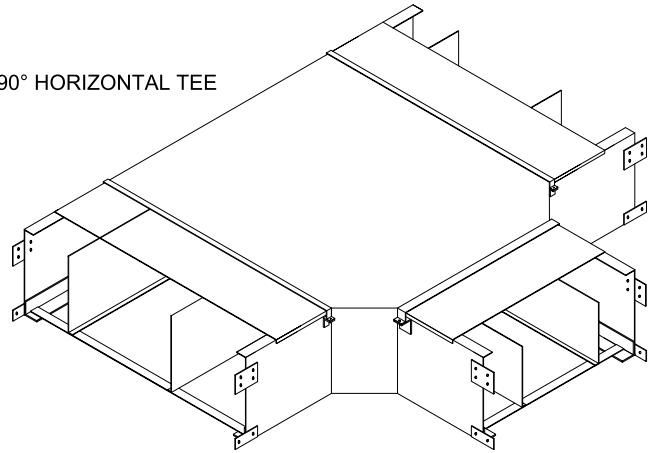
CABLE DUCT ACCESSORIES



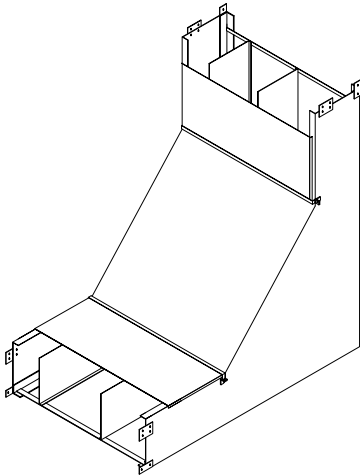
90° HORIZONTAL BEND



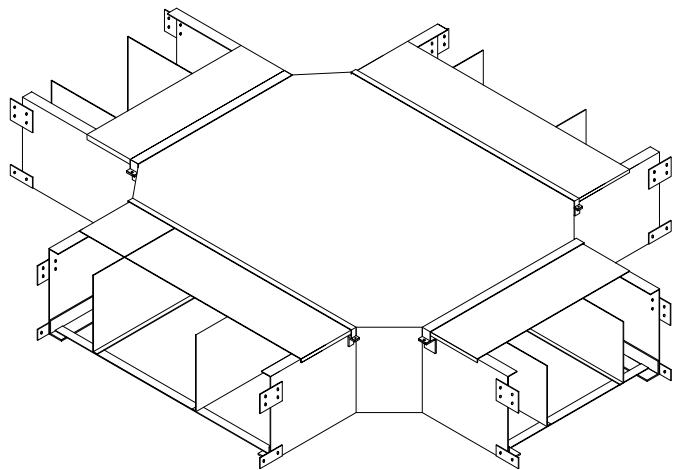
90° HORIZONTAL TEE



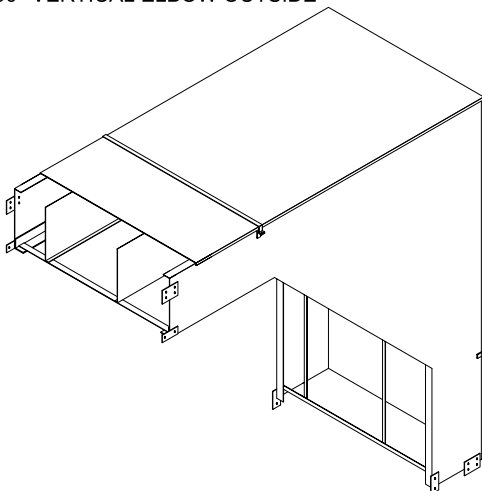
90° VERTICAL ELBOW INSIDE



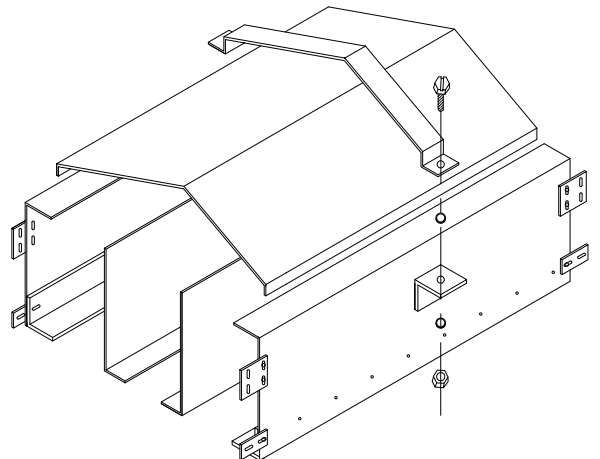
90° HORIZONTAL CROSS



90° VERTICAL ELBOW OUTSIDE



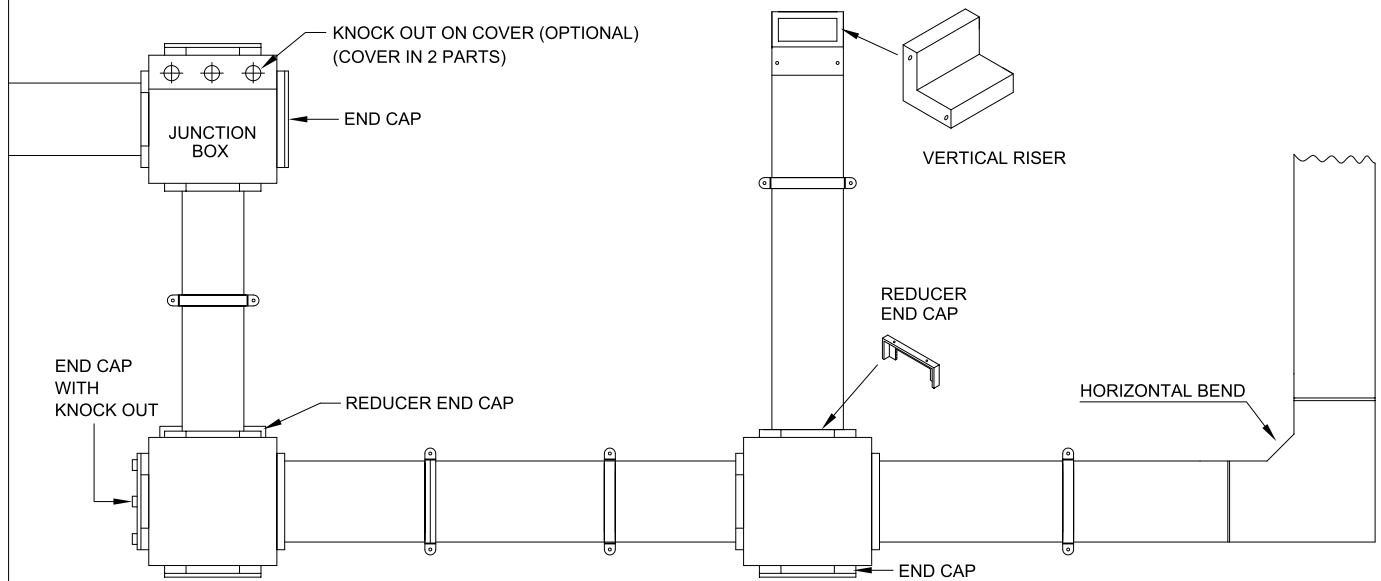
BOLTED DUCT WITH DOME COVER



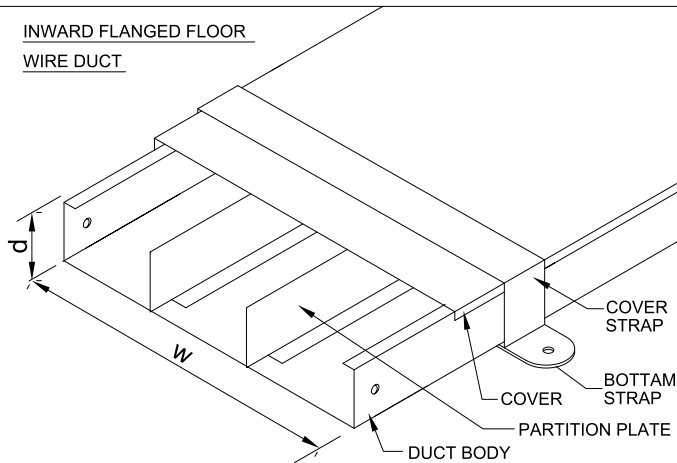
ALL DIMENSION IN mm. - N.T.S.

INWARD FLANGED FLOOR WIRE DUCT WITH COVER

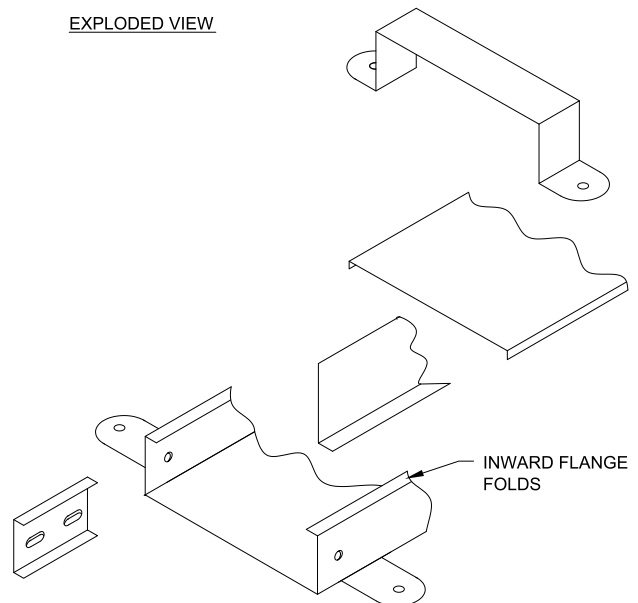
WITHIN SCREED /UNDER RAISED FLOOR



INWARD FLANGED FLOOR WIRE DUCT



EXPLODED VIEW



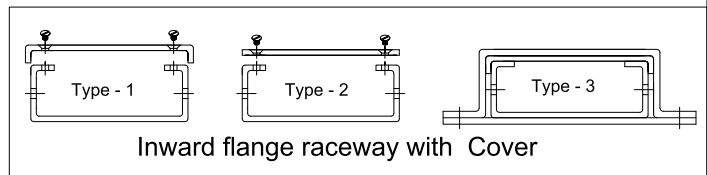
MATERIALS

MILD STEEL- HR IS 1079
MILD STEEL- CR IS 513
PREGALVANISED IS 277
ALUMINIUM IS 737
STAINLESS STEEL (SS 304)

FINISH

* POWDER COATED
* POWDER COATED
SELF FINISH
SELF FINISH / *POWDER COATED
SELF FINISH

SIZES		PARTITION NOS.	CODE NO.	
Width W	Depth dmm		1.6 mm Thick (t)	2.0 mm Thick (t)
100	32.5	0	WDIF1003216-0P	WDIF1003220-0P
150	32.5	1	WDIF1503216-1P	WDIF1503220-1P
200	32.5	1	WDIF2003216-1P	WDIF2003220-1P
250	32.5	2	WDIF2503216-2P	WDIF2503220-2P
300	32.5	2	WDIF3003216-2P	WDIF3003220-2P
100	40	0	WDIF1004016-0P	WDIF1004020-0P
150	40	1	WDIF1504016-1P	WDIF1504020-1P
200	40	2	WDIF2004016-1P	WDIF2004020-1P
250	40	2	WDIF2504016-2P	WDIF2504020-2P
300	40	2	WDIF3004016-2P	WDIF3004020-2P



STD. DEPTH : - 32.5 , 40 , 50 mm

STD. LENGTH : - GENERALLY 2.5 mtrs.

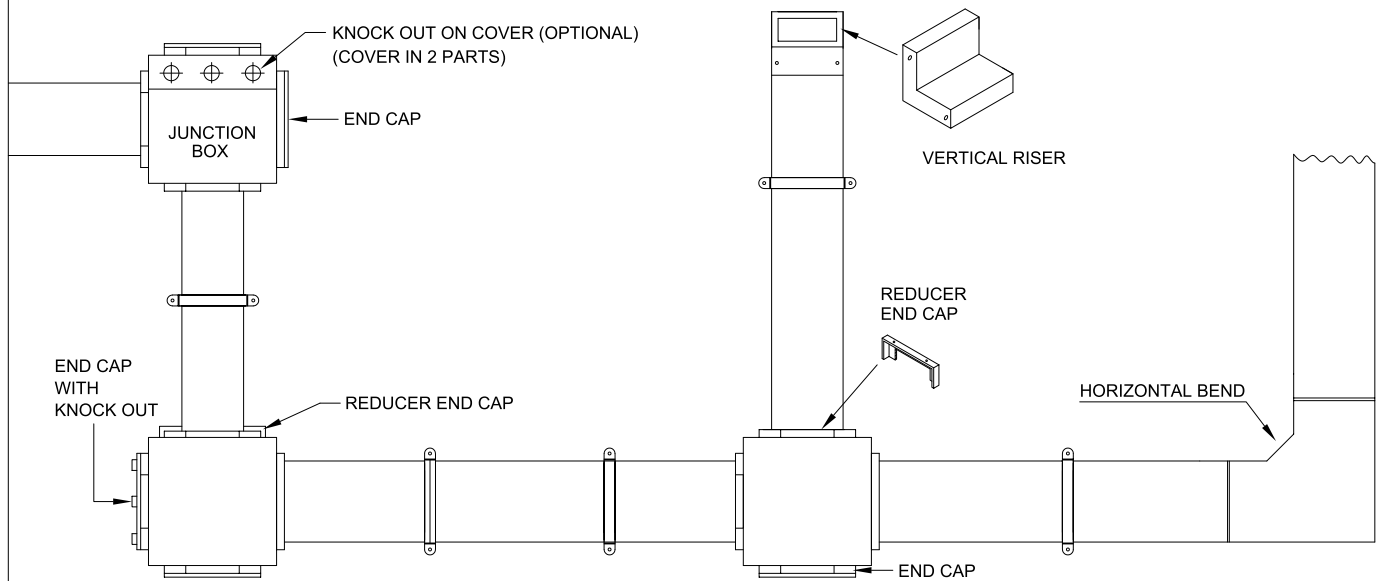
OTHER STD. LENGTH AS PER MUTUAL AGREEMENT

* COLOUR :- SIEMENS GREY , BLACK , DEEP ORANGE , WHITE

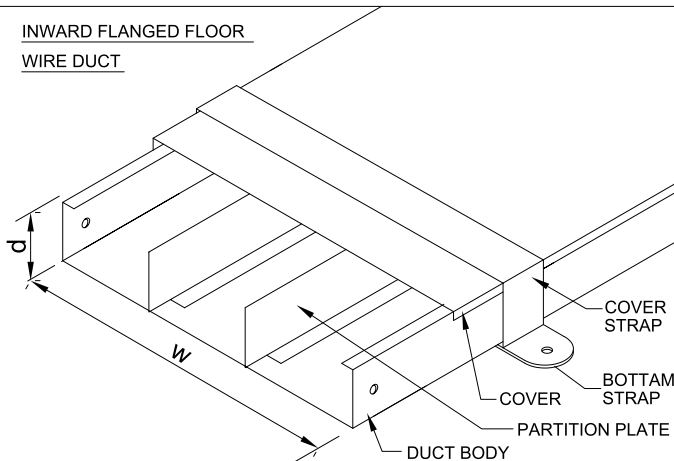
ALL DIMENSION IN mm. - N.T.S.

INWARD FLANGED FLOOR WIRE DUCT WITH COVER

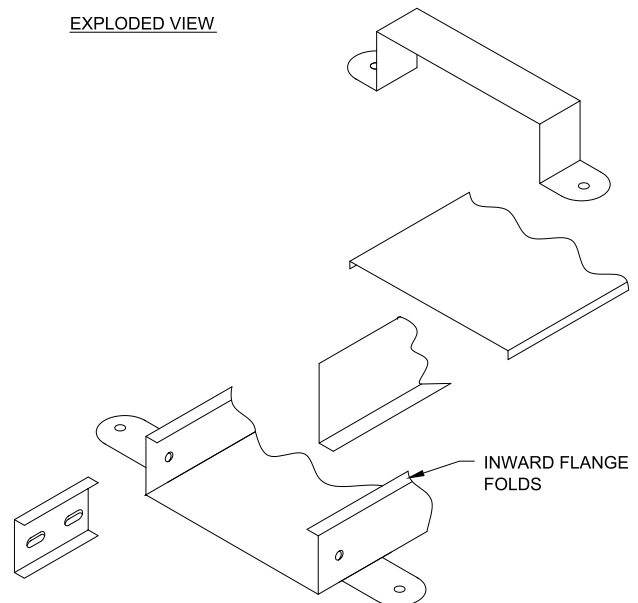
WITHIN SCREED /UNDER RAISED FLOOR



INWARD FLANGED FLOOR WIRE DUCT



EXPLODED VIEW



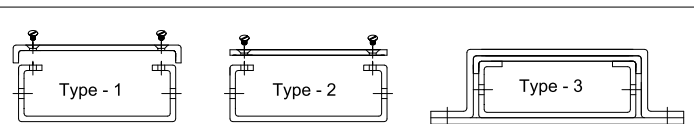
MATERIALS

MILD STEEL- HR IS 1079
MILD STEEL- CR IS 513
PREGALVANISED IS 277
ALUMINIUM IS 737
STAINLESS STEEL (SS 304)

FINISH

* POWDER COATED
* POWDER COATED
SELF FINISH
SELF FINISH / *POWDER COATED
SELF FINISH

SIZES		PARTITION NOS.	CODE NO.	
Width W	Depth dmm		1.6 mm Thick (t)	2.0 mm Thick (t)
100	32.5	0	WDIF1003216-0P	WDIF1003220-0P
150	32.5	1	WDIF1503216-1P	WDIF1503220-1P
200	32.5	1	WDIF2003216-1P	WDIF2003220-1P
250	32.5	2	WDIF2503216-2P	WDIF2503220-2P
300	32.5	2	WDIF3003216-2P	WDIF3003220-2P
100	40	0	WDIF1004016-0P	WDIF1004020-0P
150	40	1	WDIF1504016-1P	WDIF1504020-1P
200	40	2	WDIF2004016-1P	WDIF2004020-1P
250	40	2	WDIF2504016-2P	WDIF2504020-2P
300	40	2	WDIF3004016-2P	WDIF3004020-2P



Inward flange raceway with Cover

STD. DEPTH :- 32.5 , 40 , 50 mm

STD. LENGTH :- GENERALLY 2.5 mtrs.

OTHER STD. LENGTH AS PER MUTUAL AGREEMENT

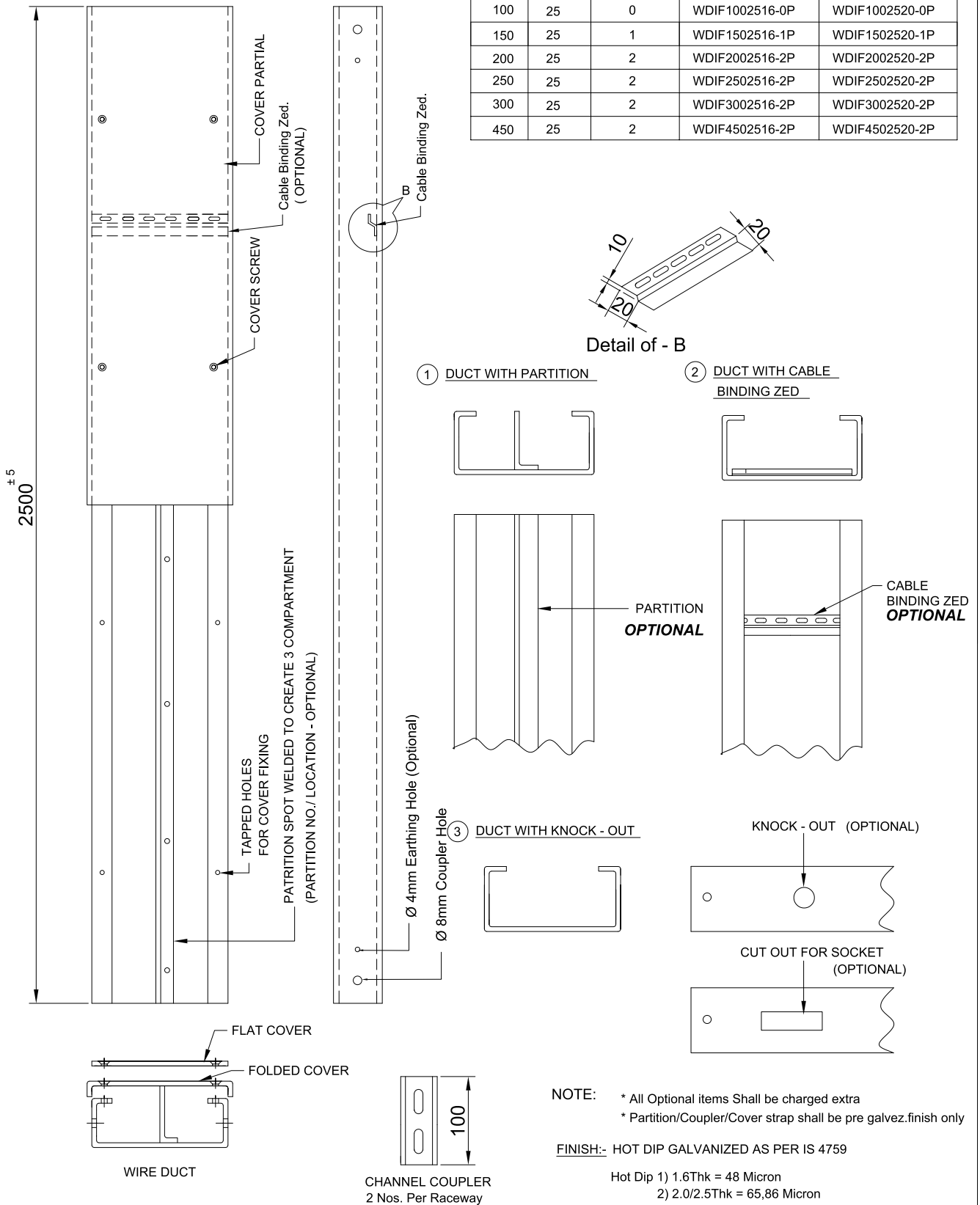
* COLOUR :- SIEMENS GREY , BLACK , DEEP ORANGE , WHITE

ALL DIMENSION IN mm. - N.T.S.

INWARD FLANGED WIRE DUCT WITH COVER

(SURFACE APPLICATION)

SIZES		PARTITION NOS.	CODE NO.	
Width W	Depth dmm		1.6 mm Thick (t)	2.0 mm Thick (t)
100	75	0	WDIF1007516-0P	WDIF1007520-0P
150	75	1	WDIF1507516-1P	WDIF1507520-1P
450	75	2	WDIF4507516-2P	WDIF4507520-2P
100	25	0	WDIF1002516-0P	WDIF1002520-0P
150	25	1	WDIF1502516-1P	WDIF1502520-1P
200	25	2	WDIF2002516-2P	WDIF2002520-2P
250	25	2	WDIF2502516-2P	WDIF2502520-2P
300	25	2	WDIF3002516-2P	WDIF3002520-2P
450	25	2	WDIF4502516-2P	WDIF4502520-2P



NOTE: * All Optional items Shall be charged extra
 * Partition/Coupler/Cover strap shall be pre galvez.finish only

FINISH:- HOT DIP GALVANIZED AS PER IS 4759

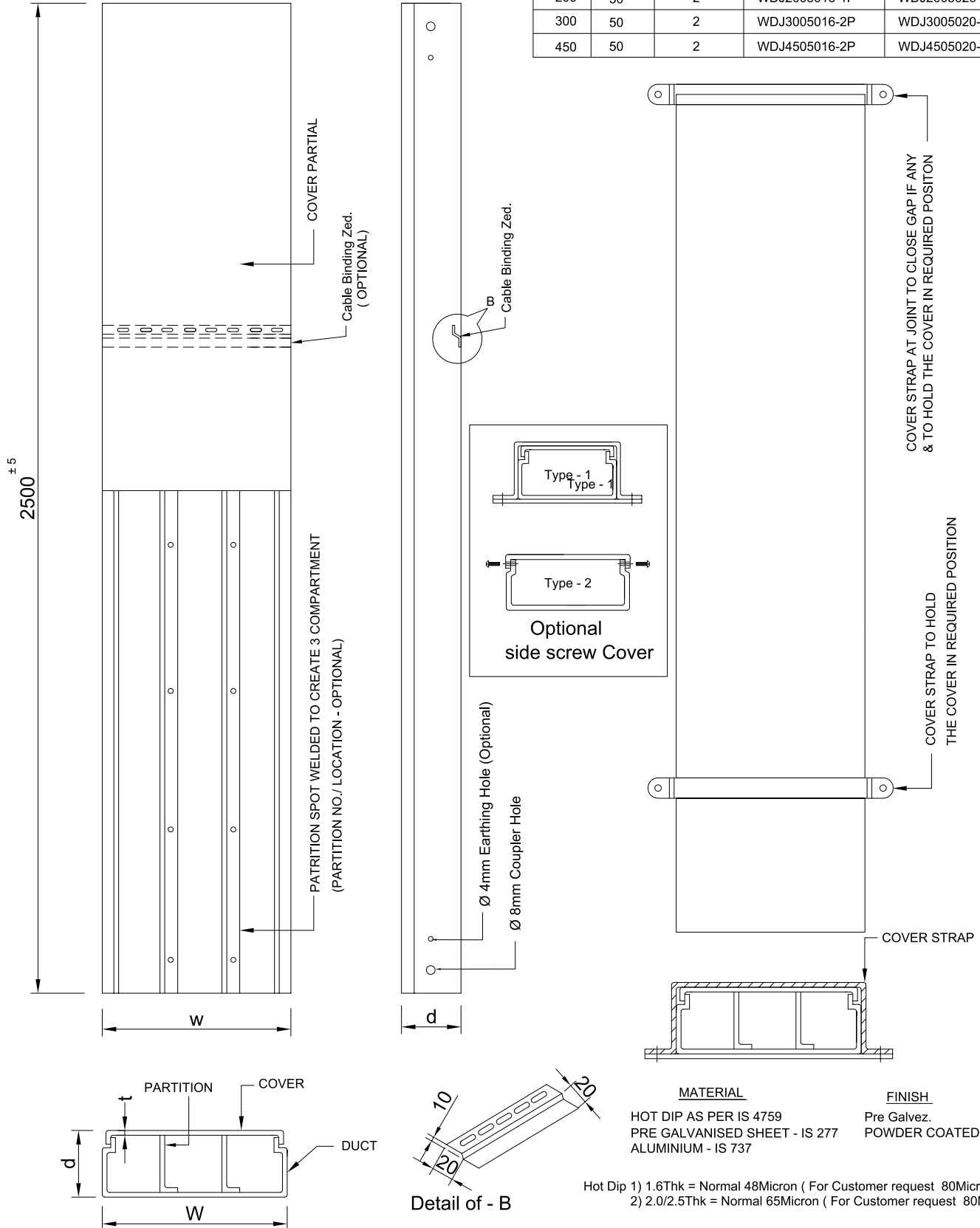
Hot Dip 1) 1.6Thk = 48 Micron
 2) 2.0/2.5Thk = 65,86 Micron

MATERIAL : HR STEEL STRIP

ALL DIMENSION IN mm. - N.T.S.

JOGGLED FLOOR WIRE DUCT WITH COVER

SIZES		PARTITION NOS.	CODE NO.	
Width W	Depth dmm		1.6 mm Thick (t)	2.0 mm Thick (t)
100	50	0	WDJ1005016-0P	WDJ1005020-0P
150	50	1	WDJ1505016-1P	WDJ1505020-1P
200	50	2	WDJ2005016-1P	WDJ2005020-1P
300	50	2	WDJ3005016-2P	WDJ3005020-2P
450	50	2	WDJ4505016-2P	WDJ4505020-2P



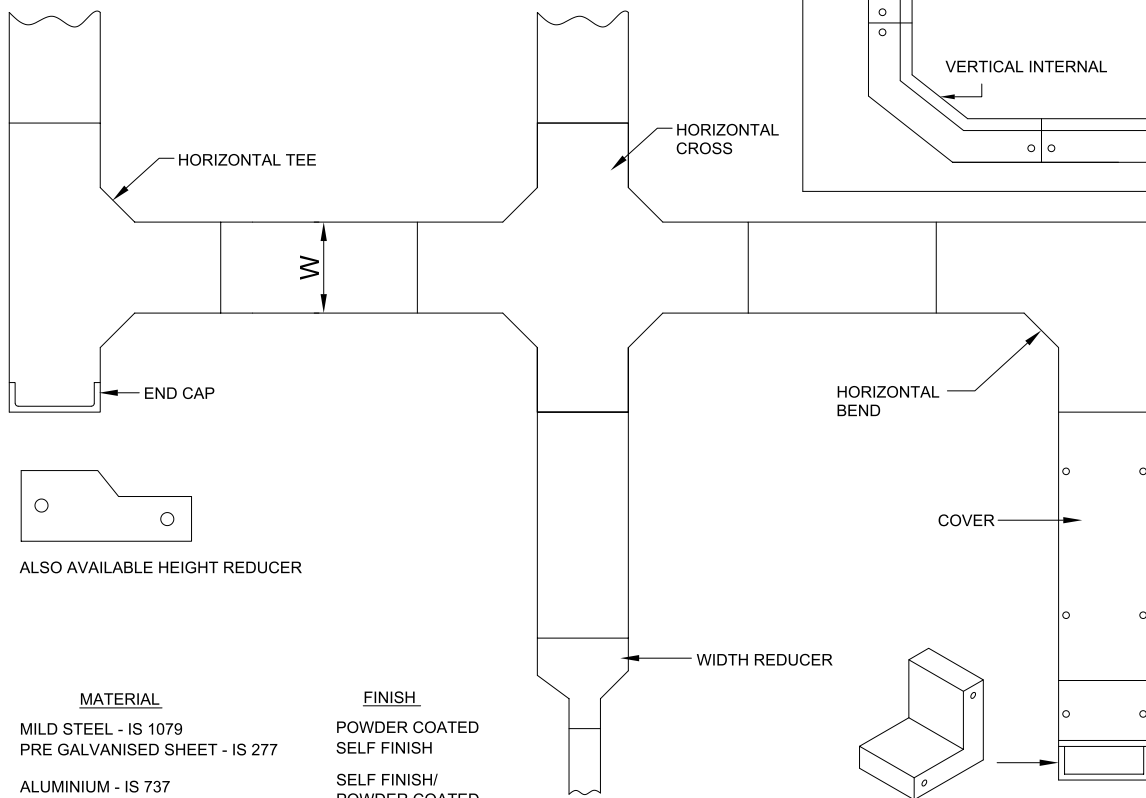
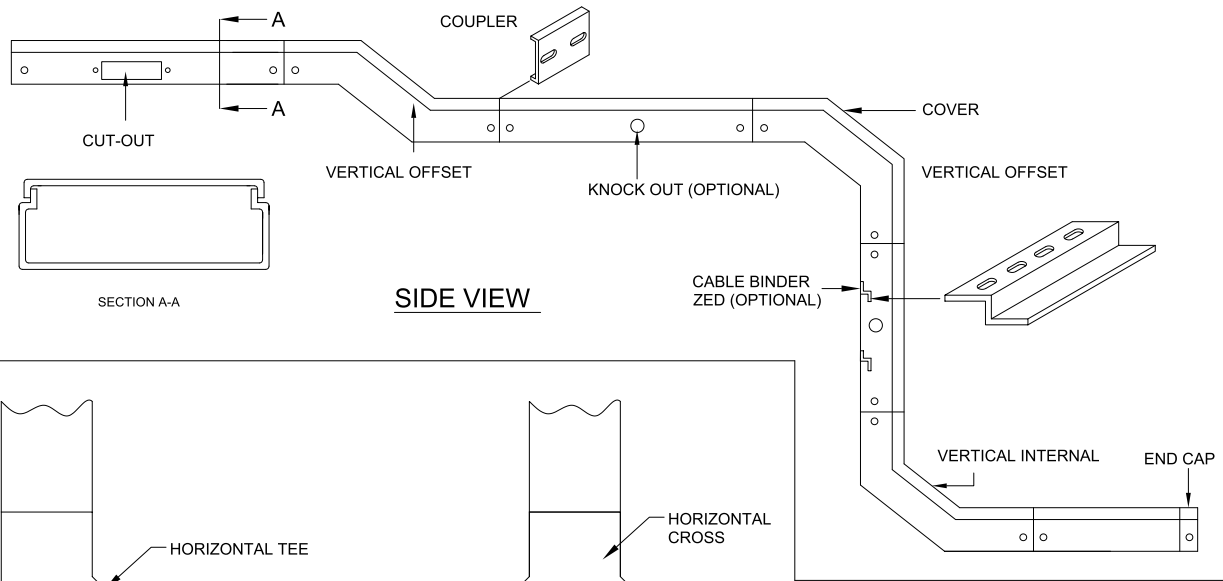
ALL DIMENSION IN mm. - N.T.S.

MATERIAL
 HOT DIP AS PER IS 4759
 PRE GALVANISED SHEET - IS 277
 ALUMINIUM - IS 737

FINISH
 Pre Galvez.
 POWDER COATED

Hot Dip 1) 1.6Thk = Normal 48Micron (For Customer request 80Micron)
 2) 2.0/2.5Thk = Normal 65Micron (For Customer request 80Micron)

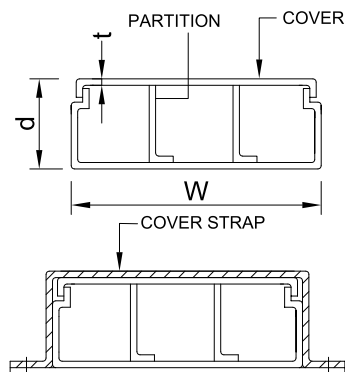
JOGGLED WIRE DUCT WITH COVER



MATERIAL
 MILD STEEL - IS 1079
 PRE GALVANISED SHEET - IS 277
 ALUMINIUM - IS 737

FINISH
 POWDER COATED
 SELF FINISH
 SELF FINISH/
 POWDER COATED

SIZES		1.25 MM	THICKNESS (t) 1.6 MM	2.0 MM
Width w	Depth d			
50	40/50	WDJ 5040/5012	WDJ5040/5016	WDJ5040/5020
100	40/50	WDJ 10040/5012	WDJ10040/5016	WDJ10040/5020
150	40/50	WDJ 15040/5012	WDJ15040/5016	WDJ15040/5020
300	40/50	X	WDJ30040/5016	WDJ30040/5020
600	40/50	X	WDJ60040/5016	WDJ60040/5020
100	100	WDJ 10010012	WDJ10010016	WDJ10010020
150	100	X	WDJ15010016	WDJ15010020
300	100	X	WDJ30010016	WDJ30010020
600	100	X	WDJ60010016	WDJ60010020



W - Width of Duct / Raceway / Wireways
 d - Total depth of Duct / Raceway / Wireways
 t - Thickness of Duct / Raceway / Cover
 a - 12.5 / 15 mm

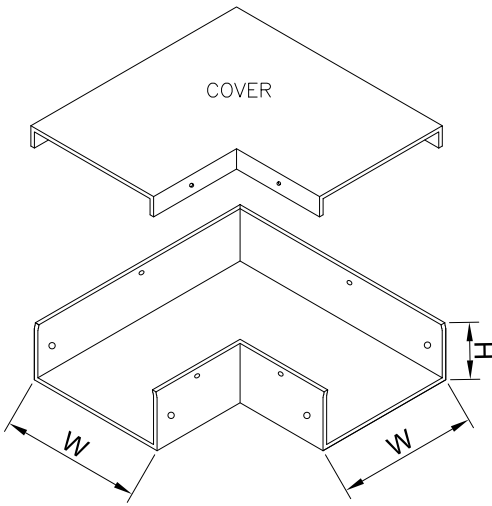
* All above ducts will have folded covers. For flat covers, replace B in part no. with F
 For partition insert - P e.g. 200 duct 50 height with flat covers & 2 partitions will be WD2016B2P
 Largest size 600 x 250 mm & smallest 40 x 20 mm made with suitable junction box.
 4 - way junction boxes are also available.
 Sizes not shown in table can be made to order.

ALL DIMENSION IN mm. - N.T.S.

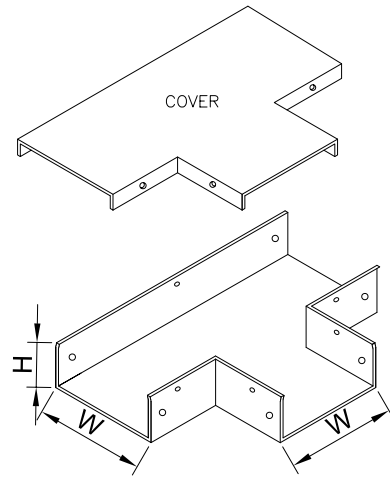
WIRE DUCT ACCESSORIES



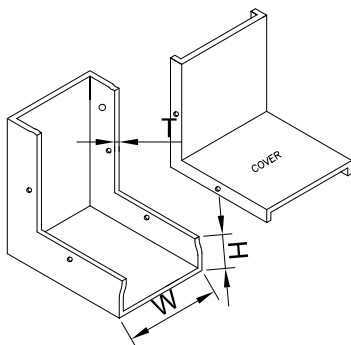
90° HORIZONTAL BEND



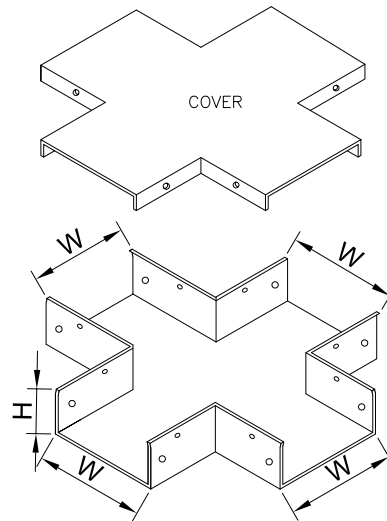
90° HORIZONTAL TEE



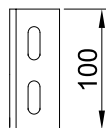
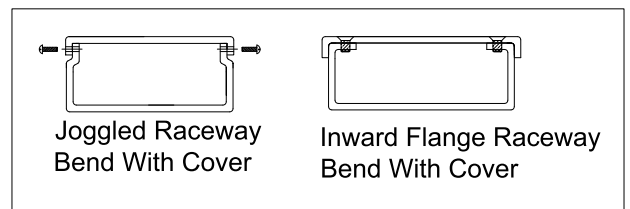
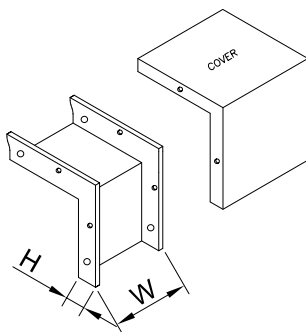
90° VERTICAL ELBOW INSIDE



90° HORIZONTAL CROSS



90° VERTICAL ELBOW OUTSIDE



Joggled Coupler
For HB, VBI & VBO - 2 Nos. Per Bend
For Tee - 4 Nos. Per Bend
For Cross - 6 Nos. Per Bend

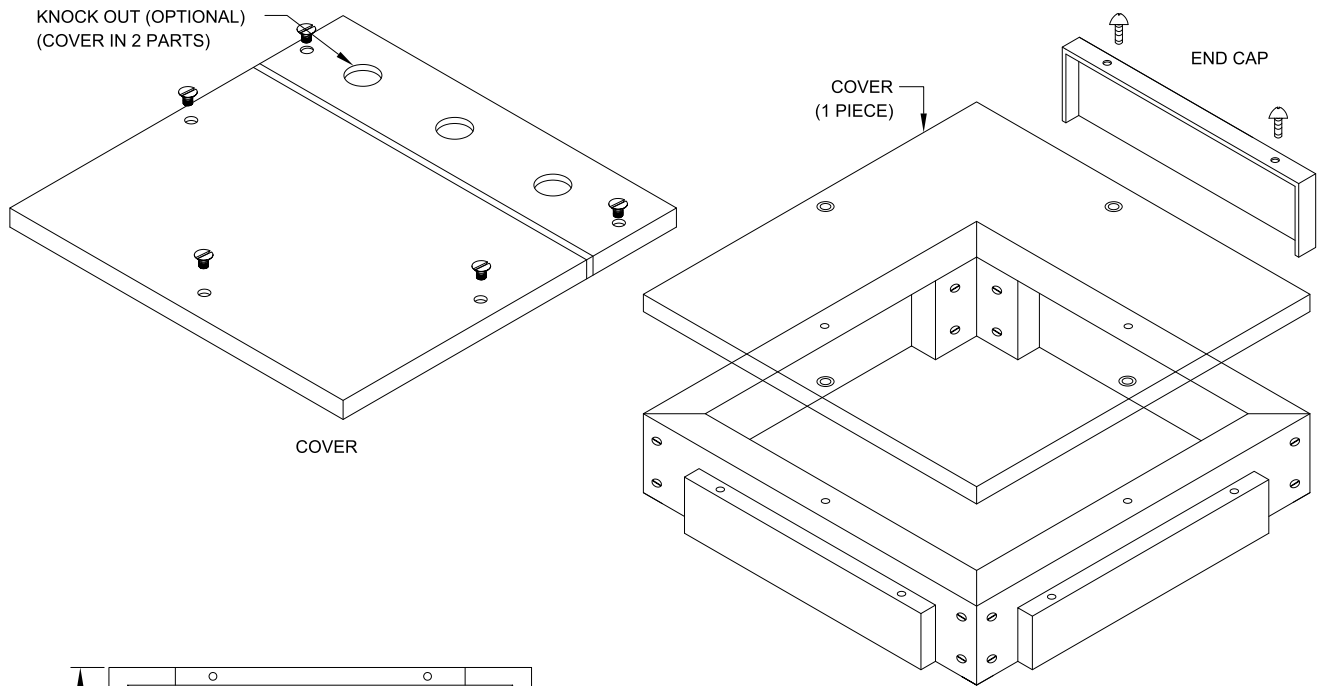
Finish:

- * HD. - Hot Dip Galvanized
- * PC. - Powder Coated.
- * HD+PC.: HD+Powder Coated.
- * PG. - Pre Galvanized
- * SS. - Stainless Steel.
- * AL. - Aluminum
- * ALM. - Aluminum Marine grade

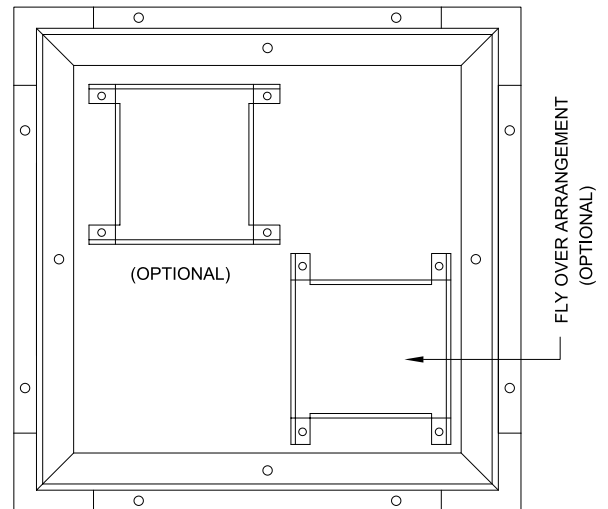
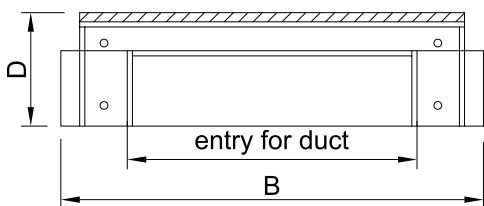
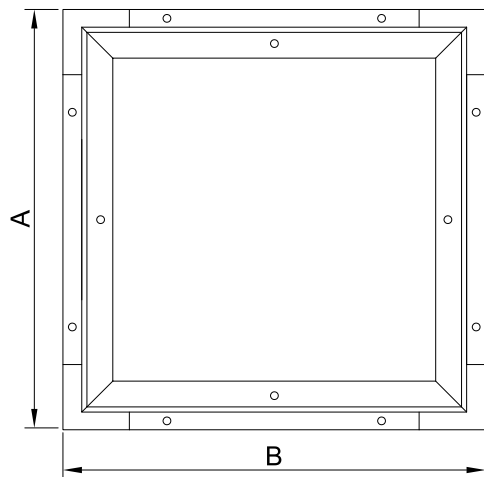
ALL DIMENSION IN mm. - N.T.S.

FLOOR JUNCTION BOX WITH COVER(UBJB TYPE)

4-WAY JUNCTION BOX WITH COVER



JUNCTION BOX



JUNCTION BOX WITH FLY OVER ARRANGEMENT.

JUNCTION BOX SUITABLE FOR WIRE DUCT OF JWD-SERIES & IWD SERIES.

SIZE OF WIRE DUCT W x d x t (mm)	SIZE OF JUNCTION BOX A x B x D (mm)
100 x 50 x 1.6/2.0	172 x 172 x 68
150 x 50 x 1.6/2.0	222 x 222 x 68
200 x 50 x 1.6/2.0	272 x 272 x 68
300 x 50 x 1.6/2.0	372 x 372 x 68
450 x 50 x 1.6/2.0	522 x 522 x 68

MATERIAL

HOT DIP AS PER IS 4759
PRE GALVANISED SHEET - IS 277
ALUMINIUM - IS 737

FINISH

- * HD. - Hot Dip Galvanized
- * PC. - Powder Coated.
- * PG. - Pre Galvanized
- * SS. - Stainless Steel.
- * AL. - Aluminum

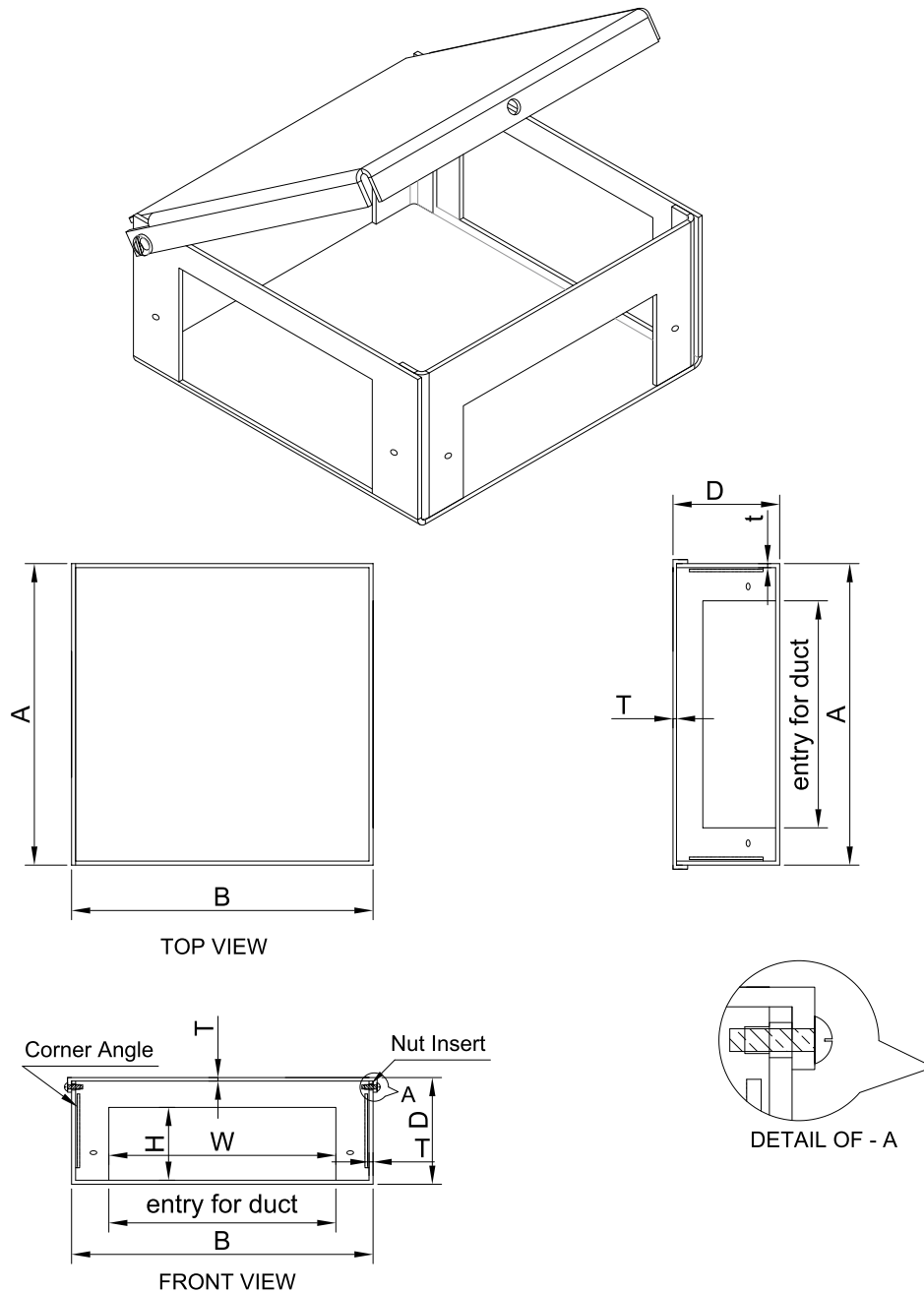
A = W + 72 mm.
B = W + 72 mm.
D = d + 18 mm.

w = Width of wire duct
d = Depth of wire duct

*End Cap shall be pre galvez. finish only
* All Optional items Shall be charged extra

ALL DIMENSION IN mm. - N.T.S.

CEILING JUNCTION BOX HINGE COVER TYPE (HCJB)



JUNCTION BOX SUITABLE FOR WIRE DUCT
FOR SURFACE APPLICATION.

SIZE OF WIRE DUCT W x d x t (mm)	SIZE OF JUNCTION BOX A x B x D (mm)
100 x 40 x 1.6	150 x 150 x 60
150 x 40 x 1.6	200 x 200 x 60
200 x 40 x 1.6	250 x 250 x 60
300 x 40 x 1.6	350 x 350 x 60

A = W + 50 mm.
B = W + 50 mm.
D = d + 20 mm.

w = Width of wire duct
d = Depth of wire duct

MATERIAL

MILD STEEL - IS 1079
PRE GALVANISED SHEET - IS 277

ALUMINIUM - IS 737

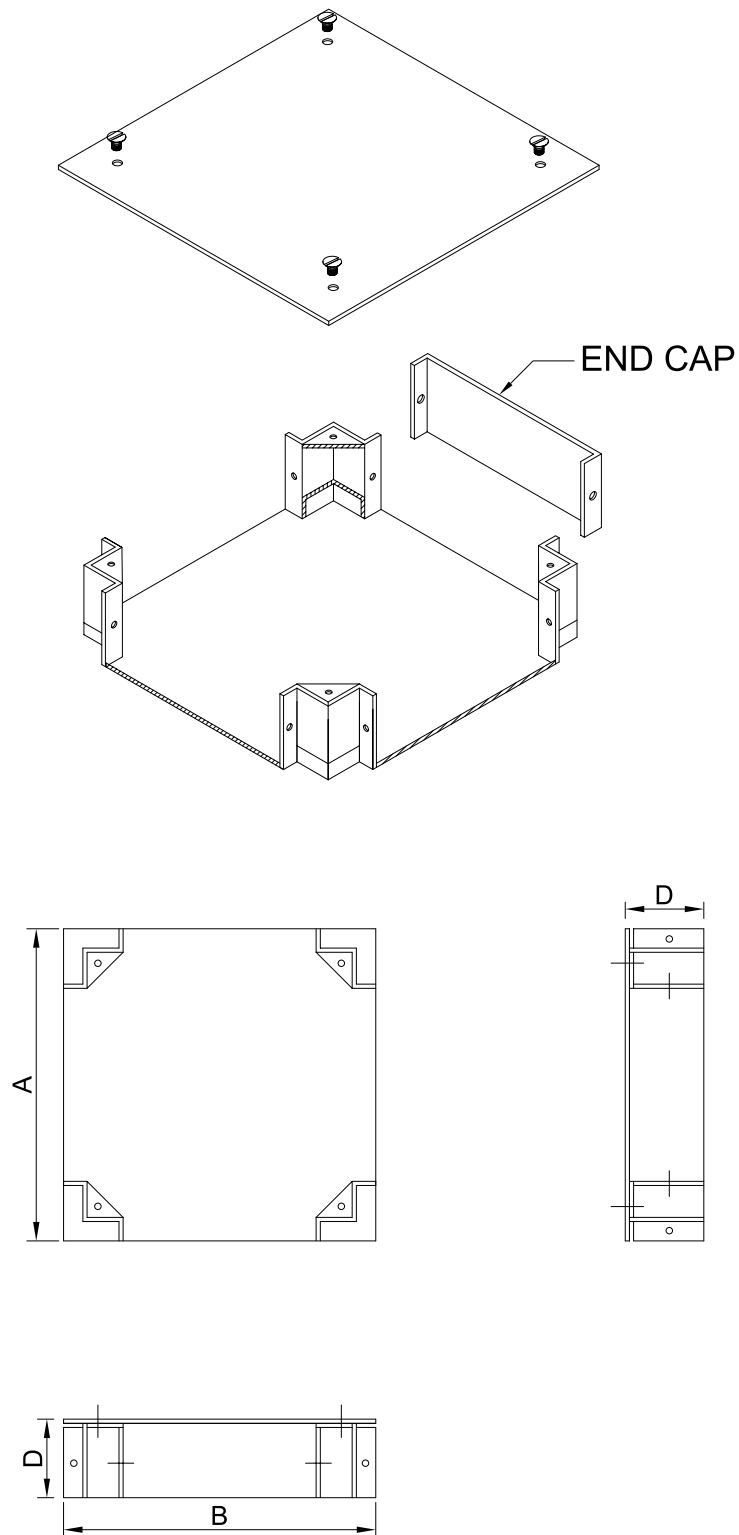
ALL DIMENSION IN mm. - N.T.S.

FINISH

- * HD. - Hot Dip Galvanized
- * PC. - Powder Coated.
- * PG. - Pre Galvanized
- * SS. - Stainless Steel.
- * AL. - Aluminum

JUNCTION BOX (FLUSH WITHIN FLOOR CAVITY)

JUNCTION BOX WITH COVER (FLUSH TO FINISH FLOOR)



MATERIAL

MILD STEEL - IS 1079
PRE GALVANISED SHEET - IS 277

FINISH

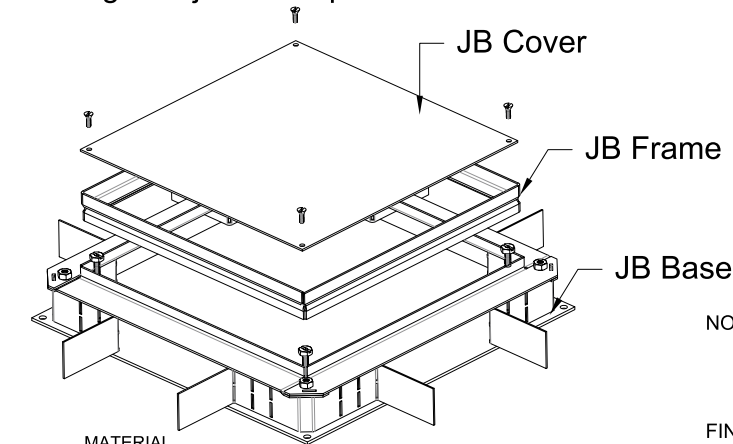
- * HD. - Hot Dip Galvanized
- * PC. - Powder Coated.
- * PG. - Pre Galvanized
- * SS. - Stainless Steel.

ALL DIMENSION IN mm. - N.T.S.

JUNCTION BOX & ACCESS BOX

JUNCTION BOX (HEIGHT ADJUSTABLE WITH MULTIPLE WIDTH ENTRY)

Height Adjustable up to 20 mm



MATERIAL
PRE GALVANISED SHEET - IS 277

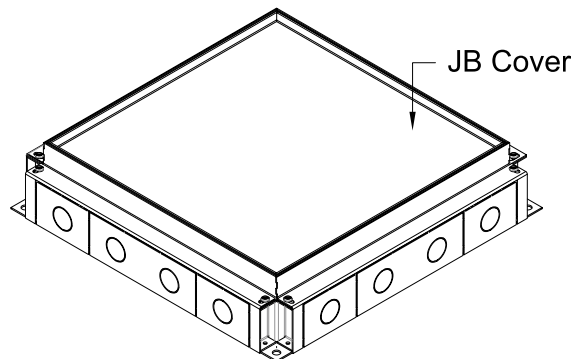
Raceway size	Suitable JB Size	Part No.
50x40	170x170x60-80 mm	HAJB4017060-80
100x40		
150x40	270x270x60-80 mm	HAJB4027060-80
200x40		
250x40		
300x40	270x270x60-80 mm	HAJB4037060-80

NOTE : Junction Box can also be made suitable for Raceway height 32 & 50 mm.

FINISH : Pre Galvanized Junction box with Pre-galvanized cover (STD.)
Pre Galvanized Junction box with SS cover (Optional)

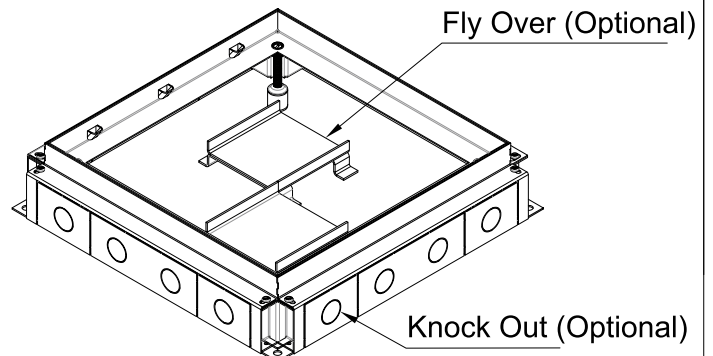
HEIGHT ADJUSTABLE JUNCTION BOX

Height Adjustable up to 25 mm



MATERIAL
PRE GALVANISED SHEET - IS 277

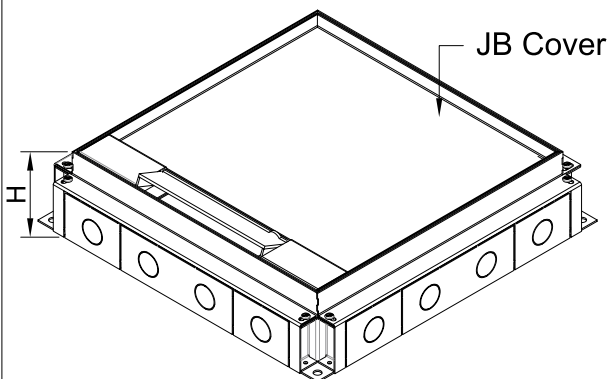
Raceway size	Suitable JB Size	Part No.
50x40	220x220x65-90 mm	HAJB4022065-90
100x40		
150x40		
200x40	370x370x65-90 mm	HAJB4037065-90
250x40		
300x40		



FINISH : Pre Galvanized Junction box with Pre-galvanized cover (STD.)
Pre Galvanized Junction box with SS cover (Optional)

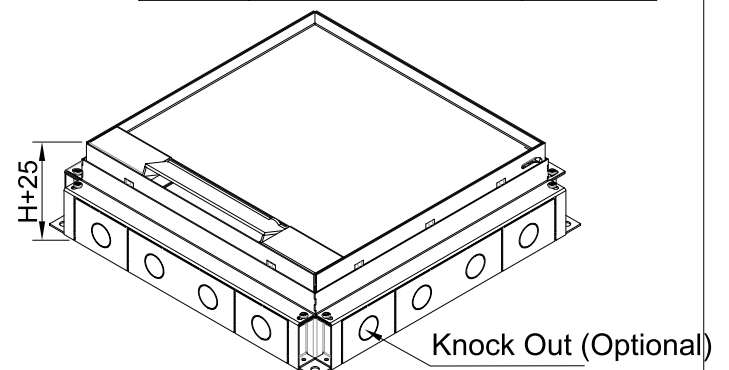
HEIGHT ADJUSTABLE OUTLET BOX

Height Adjustable up to 25 mm



MATERIAL
PRE GALVANISED SHEET - IS 277
ALL DIMENSION IN mm. - N.T.S.

Raceway size	Suitable JB Size	Part No.
50x40	220x220x65-90 mm	HAJB4022065-90
100x40		
150x40		
200x40	370x370x65-90 mm	HAJB4037065-90
250x40		
300x40		



NOTE : Junction Box can also be made suitable for Raceway height 32 & 50 mm.

FINISH : Pre Galvanized Junction box with Powder Coated cover (STD.)
Pre Galvanized Junction box with SS cover (Optional)

INDIAN SUBSIDIARY CONTACT DETAILS

HEAD OFFICE & PLANT

PROFAB ENGINEERS PVT. LTD. (Mumbai - 0)

W-310, E.T.C. Industrial Area, Pipeline Service Road, Opp. Anthony Garage, Rabale, Navi Mumbai - 400 701, India.

Phone: +91 022 27604354/35 - Fax: +91 022 27607295 - Email: enquiry@profabengineers.com - www.profabengineers.com

PROFAB ENGINEERS PVT. LTD. (Mumbai - III)

Flat No. 15, 16 & 21/8, Chickoli, Old Swastik Compound, Murlali Village, MID.C., Ambenath (W), - 421 305, India.

Phone: +91 70456 99110 - Email: ambenath@profabengineers.com

BRANCH OFFICES

PROFAB ENGINEERS PVT. LTD. (New Delhi)

Room No. 201, Vikas Plaza, (Near Banaras House), Local Shopping Complex, 42, Moreland, Kirti, New Delhi, - 440 019.

Mobile: +91 98104 25372 - E-mail: delhi@profabengineers.com

PROFAB ENGINEERS PVT. LTD. (Bangalore)

No. 37 / 2, Navodaya Apts., Ground Floor, 2nd Main, Binny Mill Road, Ganga Nagar Extn, Bangalore - 560 032, India.

Phone: +91 80234 33429 - Mobile: +91 9341223876 / 9342871444 - E-mail: bangalore@profabengineers.com

PROFAB ENGINEERS PVT. LTD. (Chennai)

23/07, Asian Ashok Apartment, Dr. Ambedkar Road, Kodambakkam, Chennai - 600 034, India.

Phone: +91 44248 02966 / 24836410 - Mobile: +91 8939110383 / 9864731115 - E-mail: chennai@profabengineers.com

PROFAB ENGINEERS PVT. LTD. (Hyderabad)

C/o. Mr. G. Ramamurthy, No.25, Jeera, Near Secunderabad Boat Club, Secunderabad - 500 003, India.

Phone: +91 40275 34303 - Mobile: +91 9992408589 - E-mail: hyderabad@profabengineers.com

PROFAB ENGINEERS PVT. LTD. (Vijaywada)

Phone: +91 93467 93473 - E-mail: vjw@profabengineers.com

PROFAB ENGINEERS PVT. LTD. (Kolkata)

Phone: +91 9091 628716 - E-mail: kolkata@profabengineers.com